



US00D373476S

United States Patent [19]

[11] Patent Number: Des. 373,476

Hull

[45] Date of Patent: **Sep. 10, 1996

[54] TABLE WITH ATTACHED CHAIRS

[76] Inventor: Carl G. Hull, 537 Wilcox St., Waupun, Wis. 53963

[**] Term: 14 Years

[21] Appl. No.: 39,543

[22] Filed: May 26, 1995

[52] U.S. Cl. D6/338

[58] Field of Search D6/336-339; 297/157, 297/159, 170, 174, 140, 143

[56] References Cited

U.S. PATENT DOCUMENTS

| | | | |
|-----------|---------|-------------------|-------------|
| 1,185,779 | 6/1916 | Doolittle . | |
| 1,283,733 | 11/1918 | Gorny | 297/140 |
| 1,367,908 | 2/1921 | Karschitz | 297/159.1 X |
| 1,457,582 | 6/1923 | Lewandoski | 155/80 |
| 1,657,307 | 1/1928 | Hisey et al. | 155/123 |
| 2,244,531 | 6/1941 | Elder | 297/157.1 X |
| 2,321,177 | 6/1943 | Blossom | 155/124 |
| 2,748,836 | 6/1956 | Olsson | 297/140 |

Primary Examiner—Janice E. Seeger
Attorney, Agent, or Firm—Lathrop & Clark

[57] CLAIM

The ornamental design for a table with attached chairs, as shown and described.

DESCRIPTION

FIG. 1 is an isometric view of the table with attached chairs of the present invention, with one chair in an extended configuration and one in a stowed configuration;

FIG. 2 is a top plan view thereof;

FIG. 3 is a front elevational view thereof; the rear side view being a mirror image thereof;

FIG. 4 is a right side elevational view thereof;

FIG. 5 is a left side elevational view thereof;

FIG. 6 is an isometric view of an alternative embodiment table with attached chairs of the present invention, with one chair in an extended configuration and one in a stowed configuration;

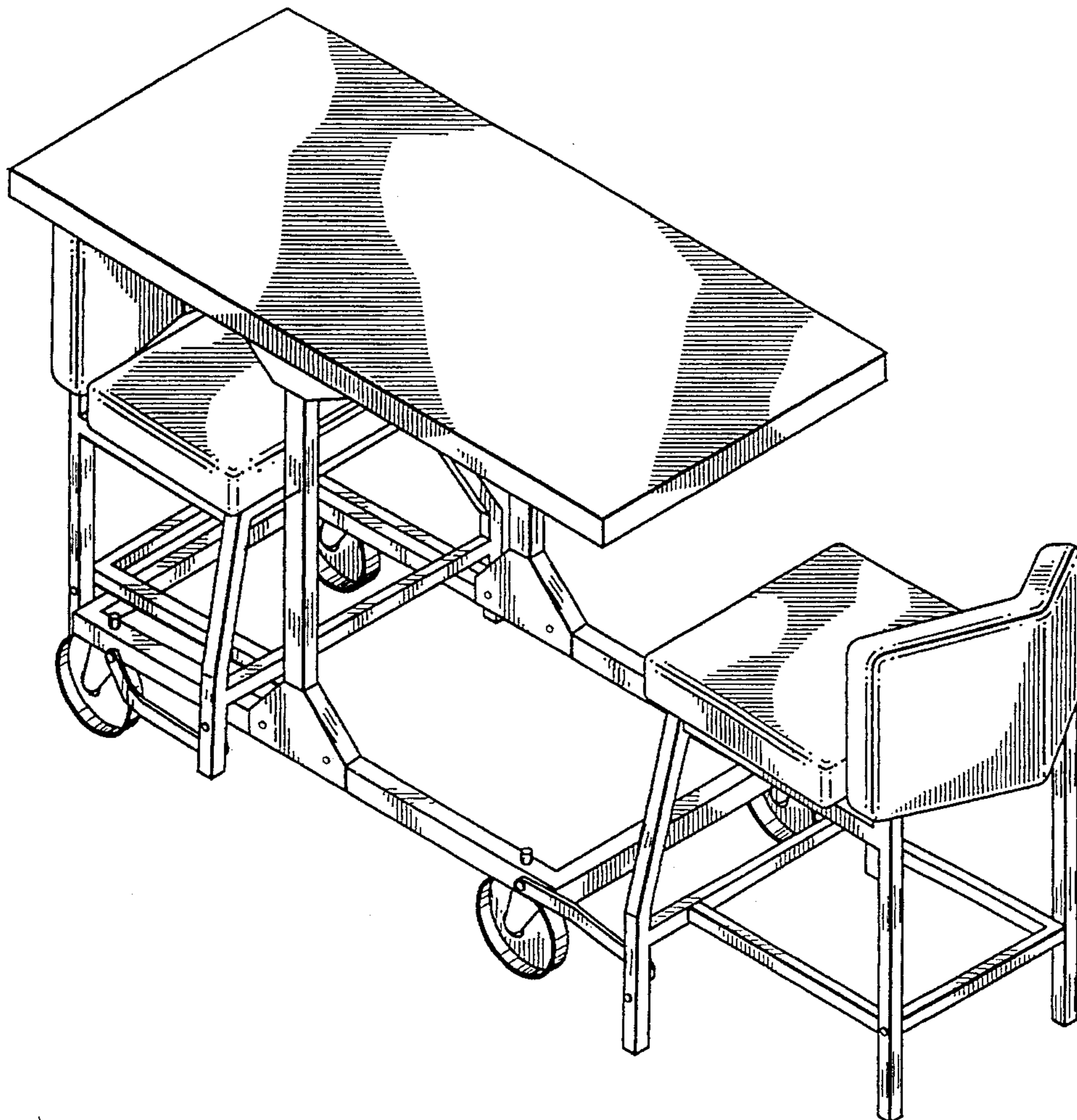
FIG. 7 is a top plan view thereof;

FIG. 8 is a front elevational view thereof; the rear side view being a mirror image thereof;

FIG. 9 is a right side elevational view thereof; and,

FIG. 10 is a left side elevational view thereof.

1 Claim, 6 Drawing Sheets



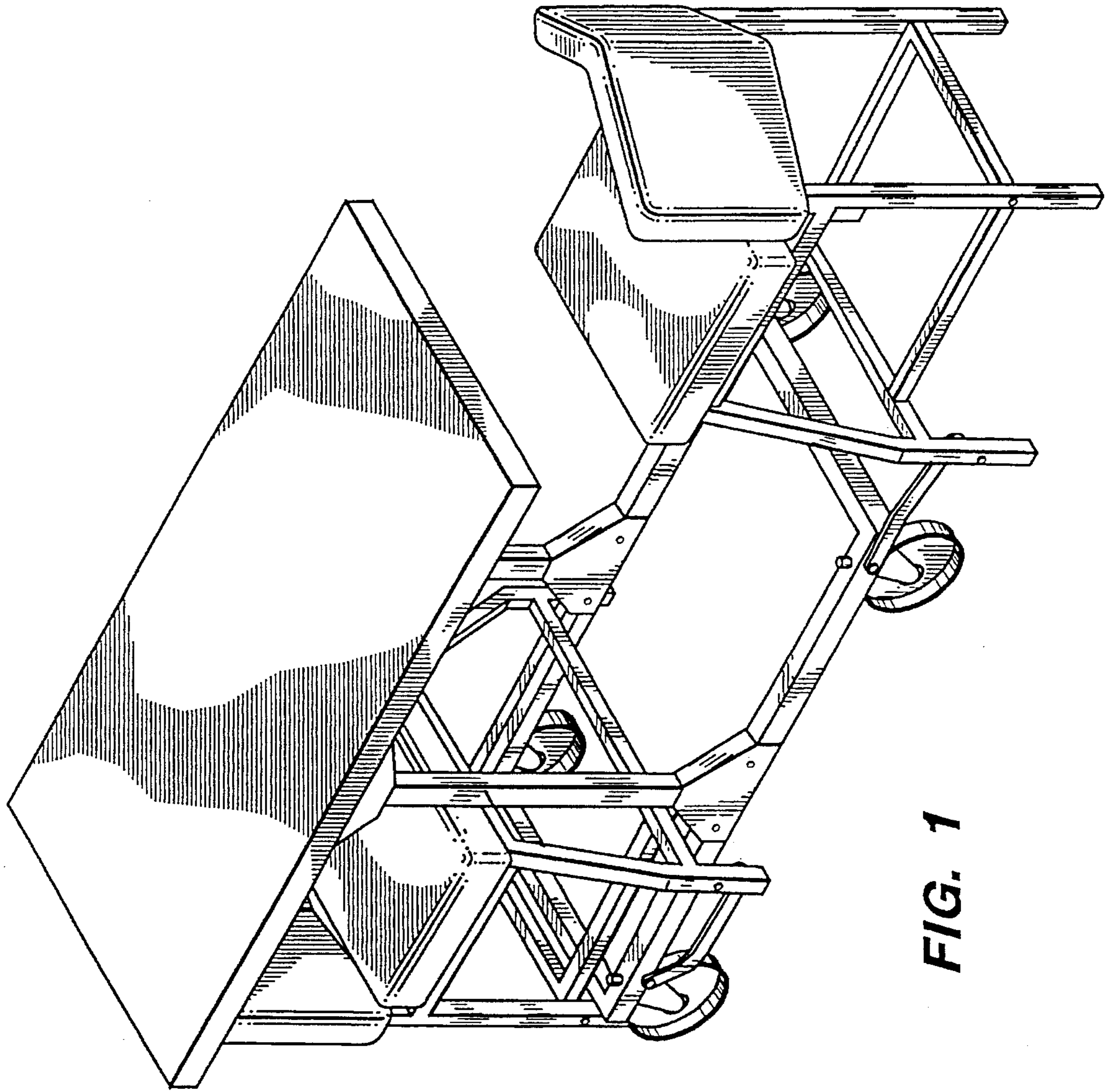


FIG. 1

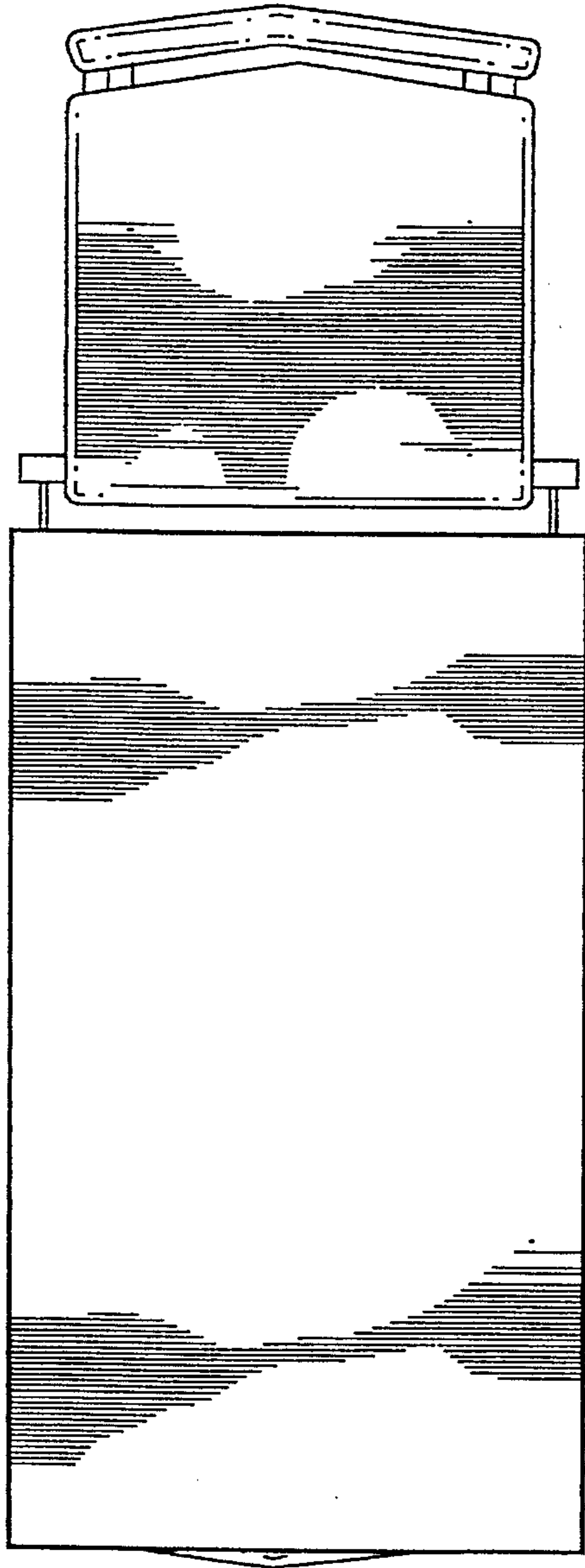


FIG. 2

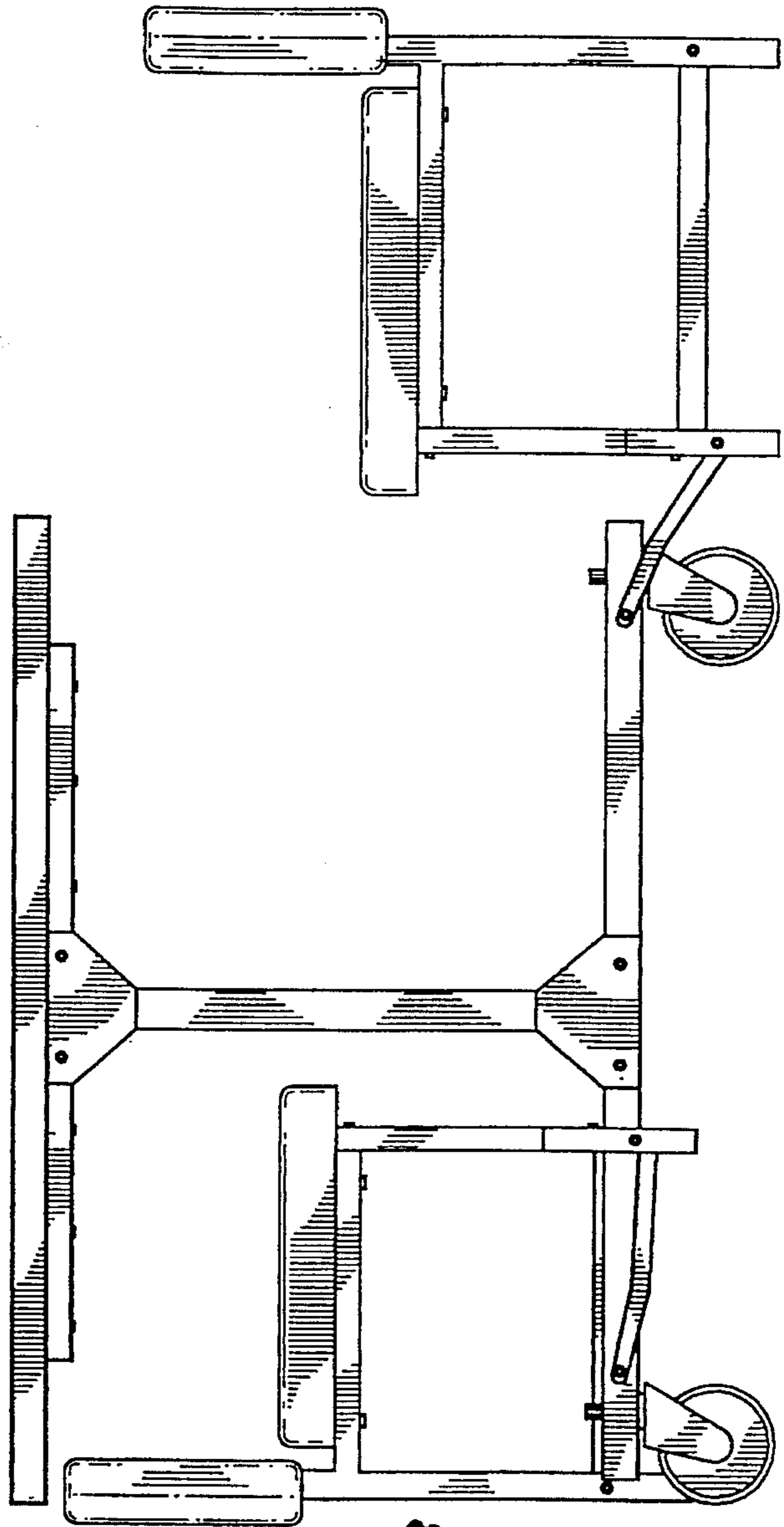


FIG. 3

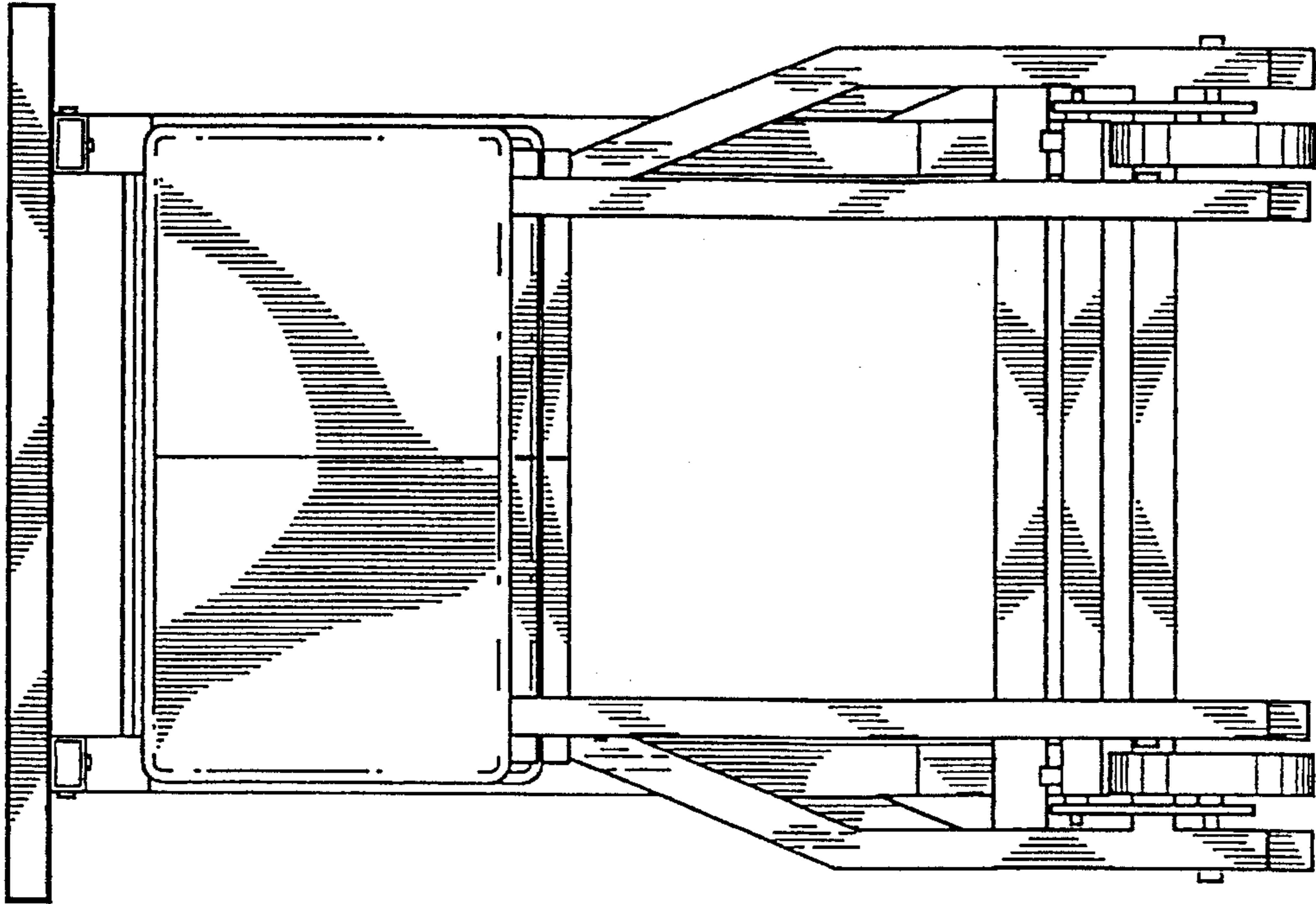


FIG. 5

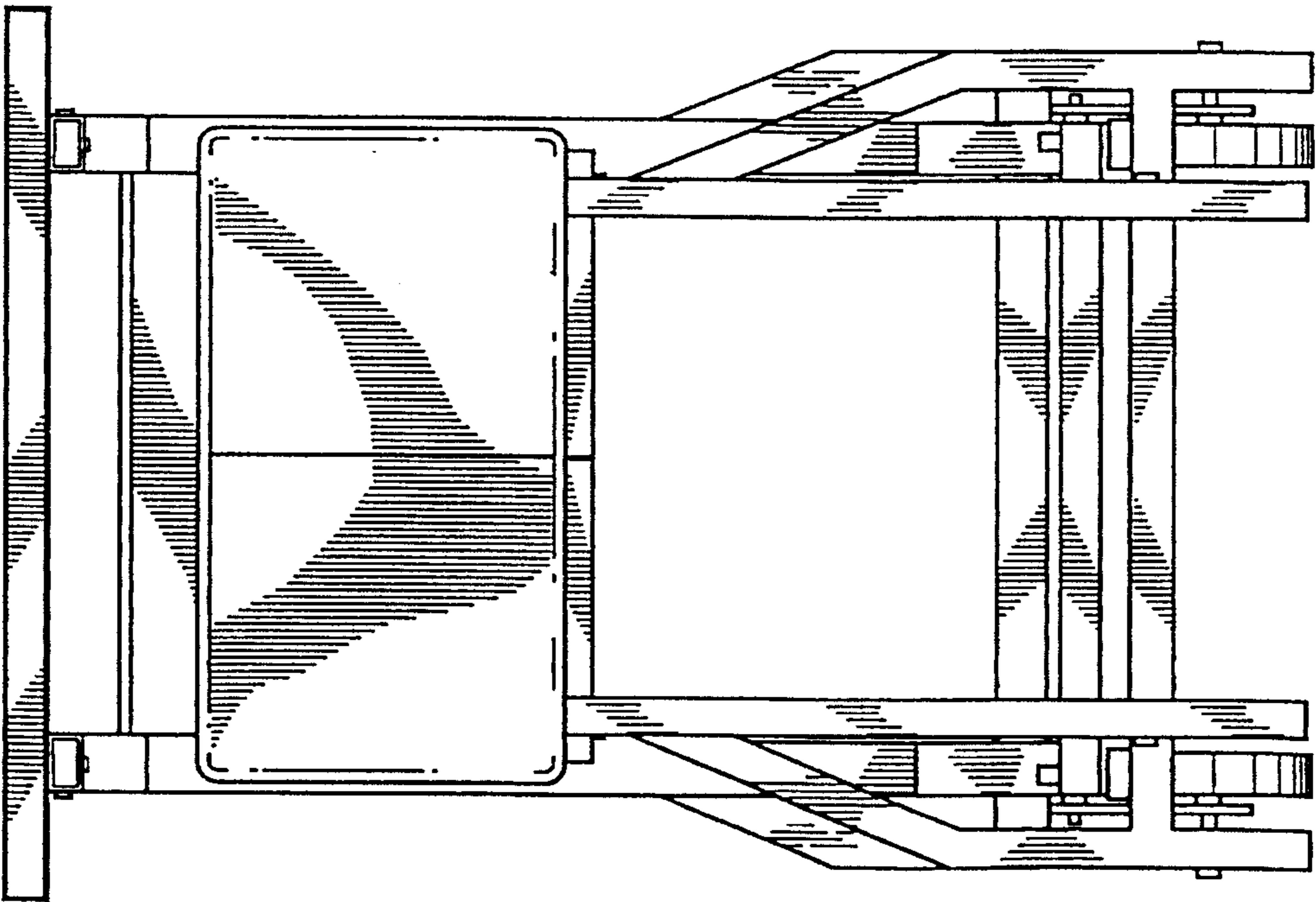


FIG. 4

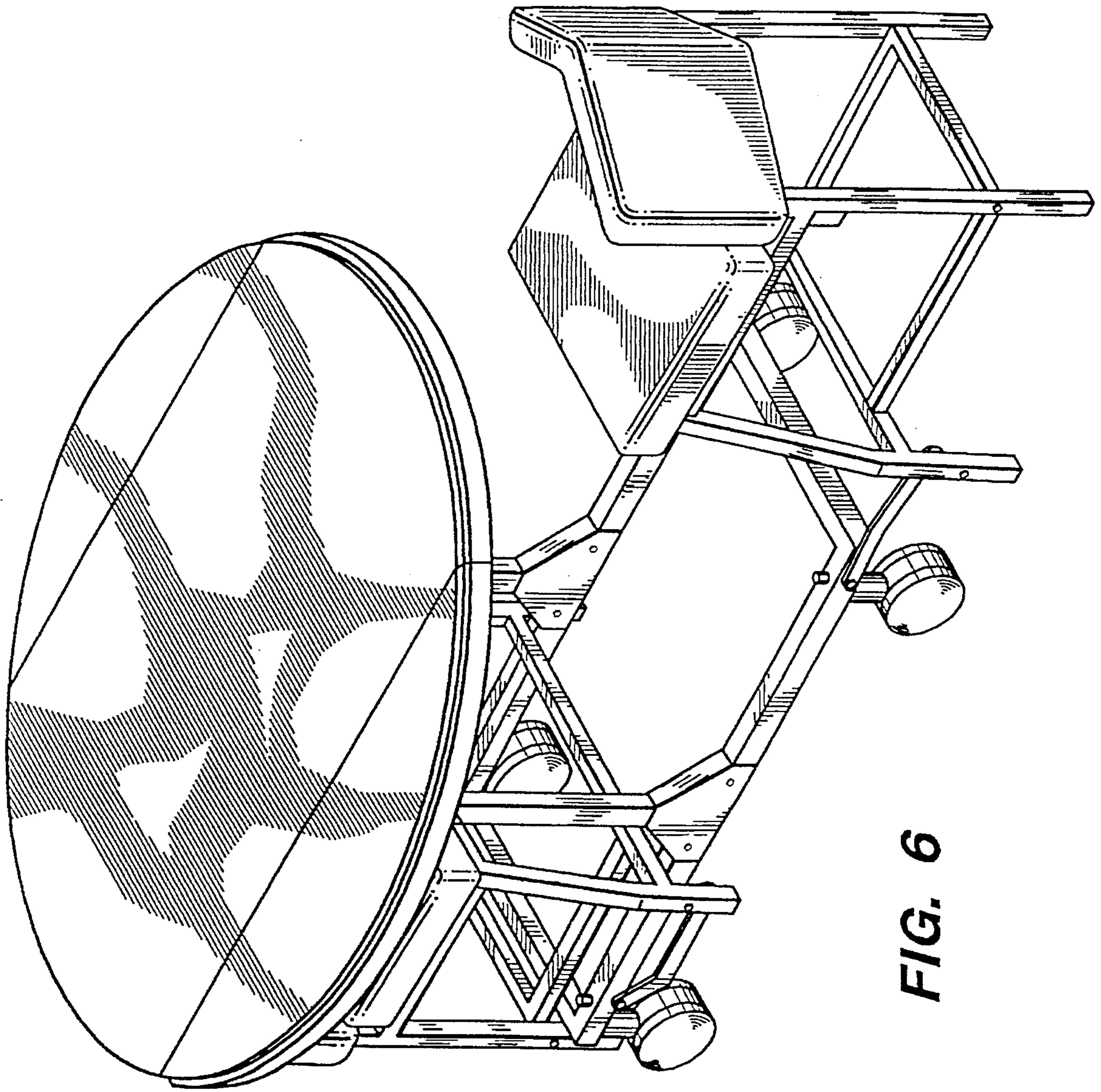


FIG. 6

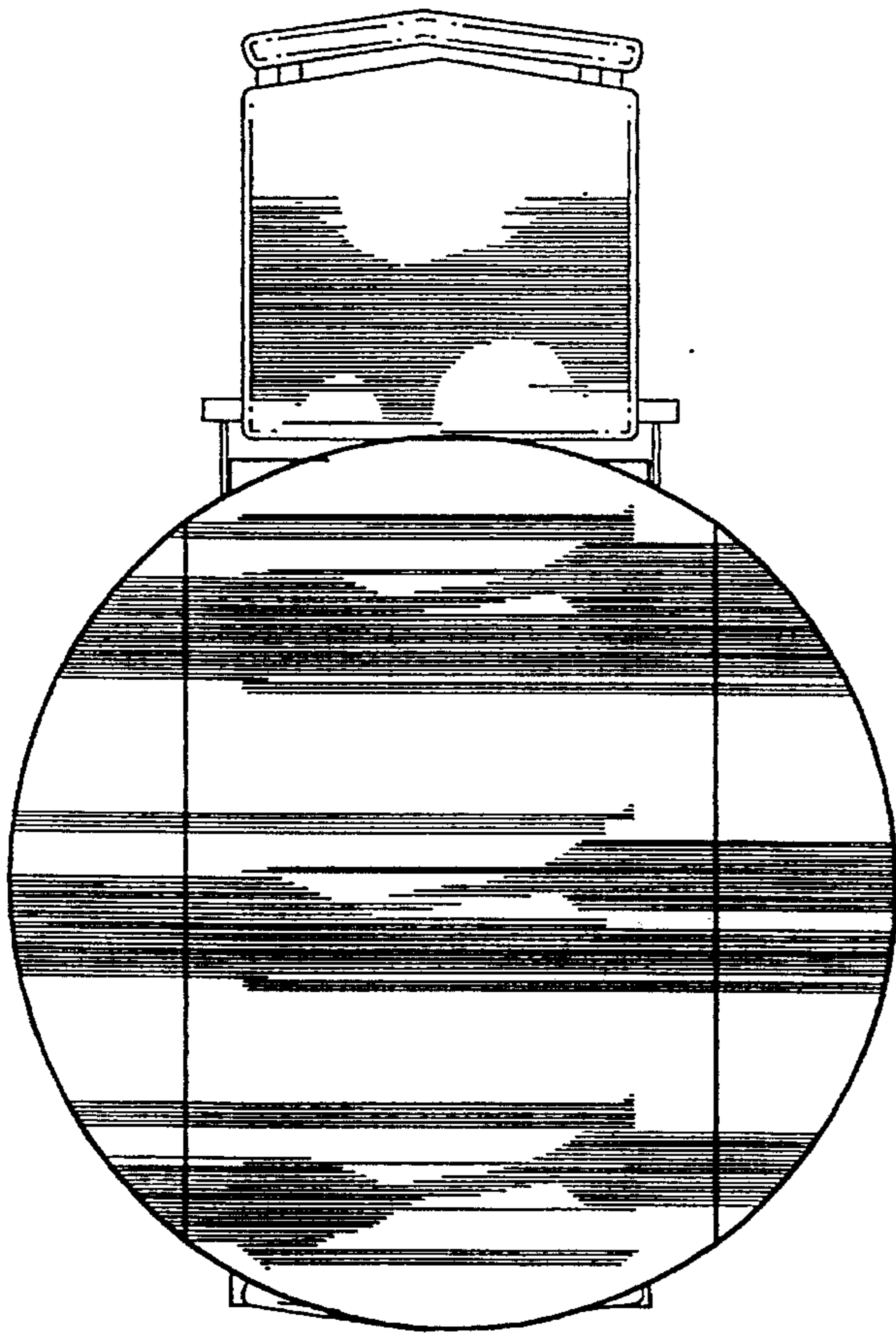


FIG. 7

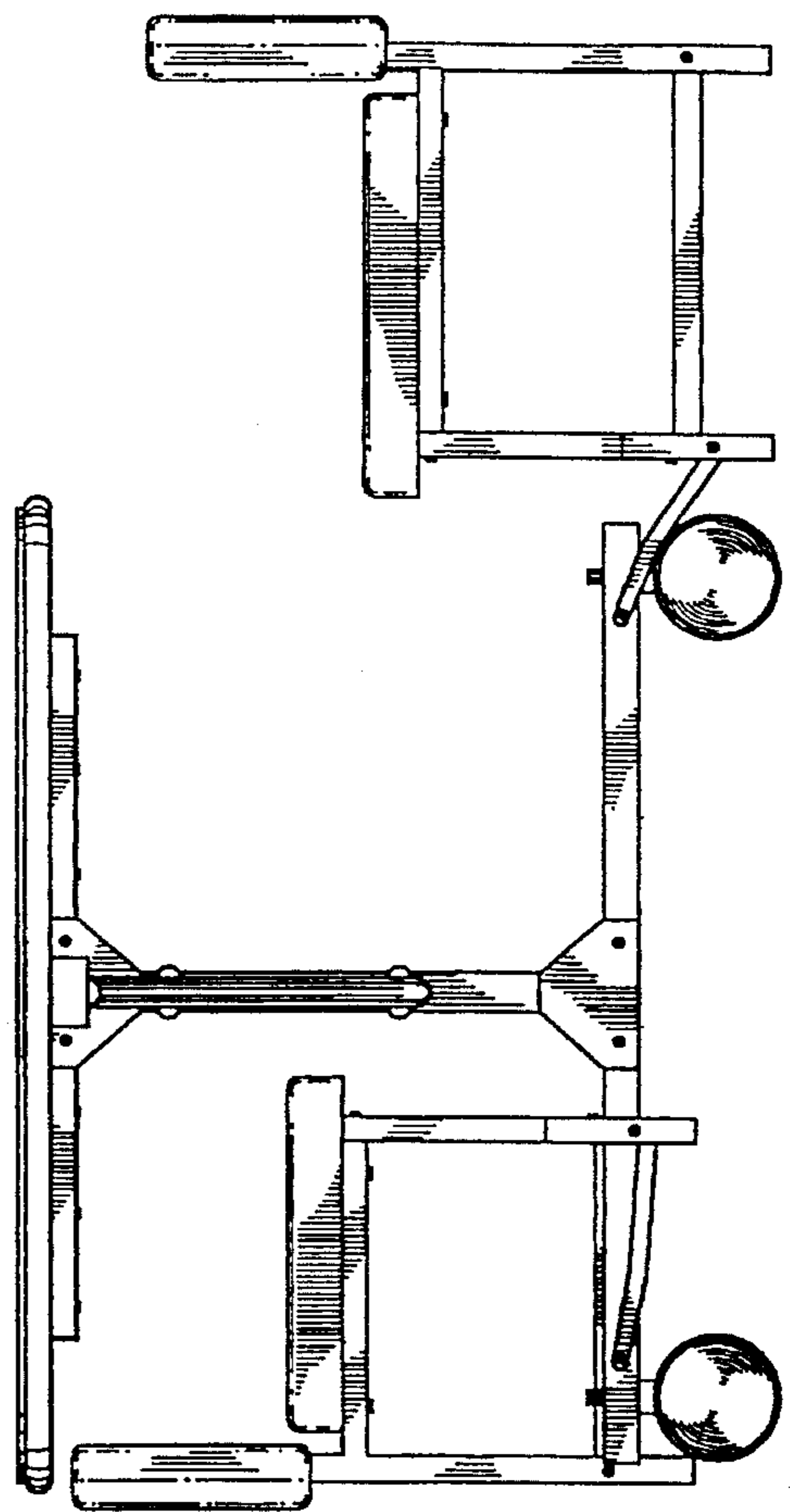


FIG. 8

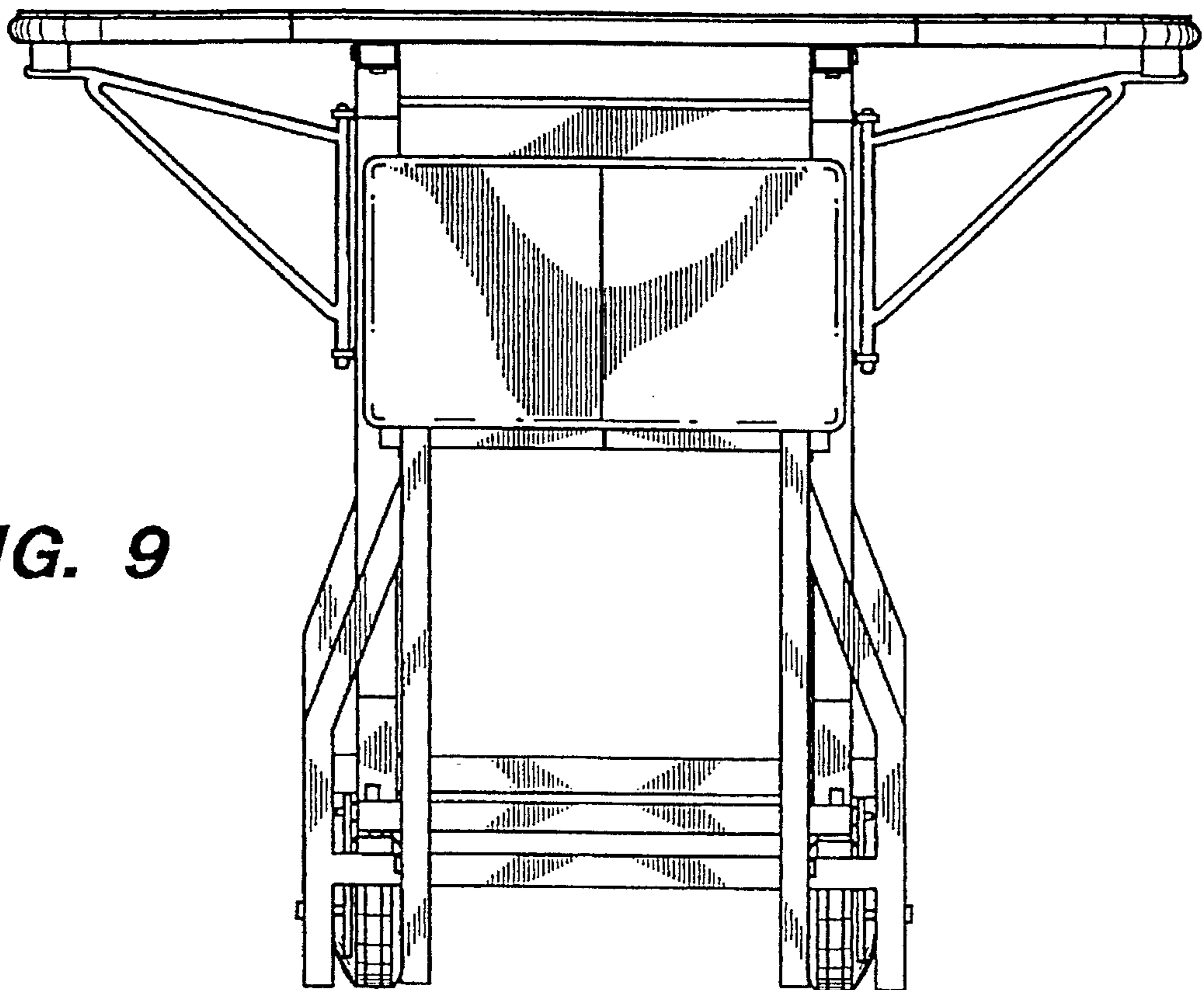


FIG. 9

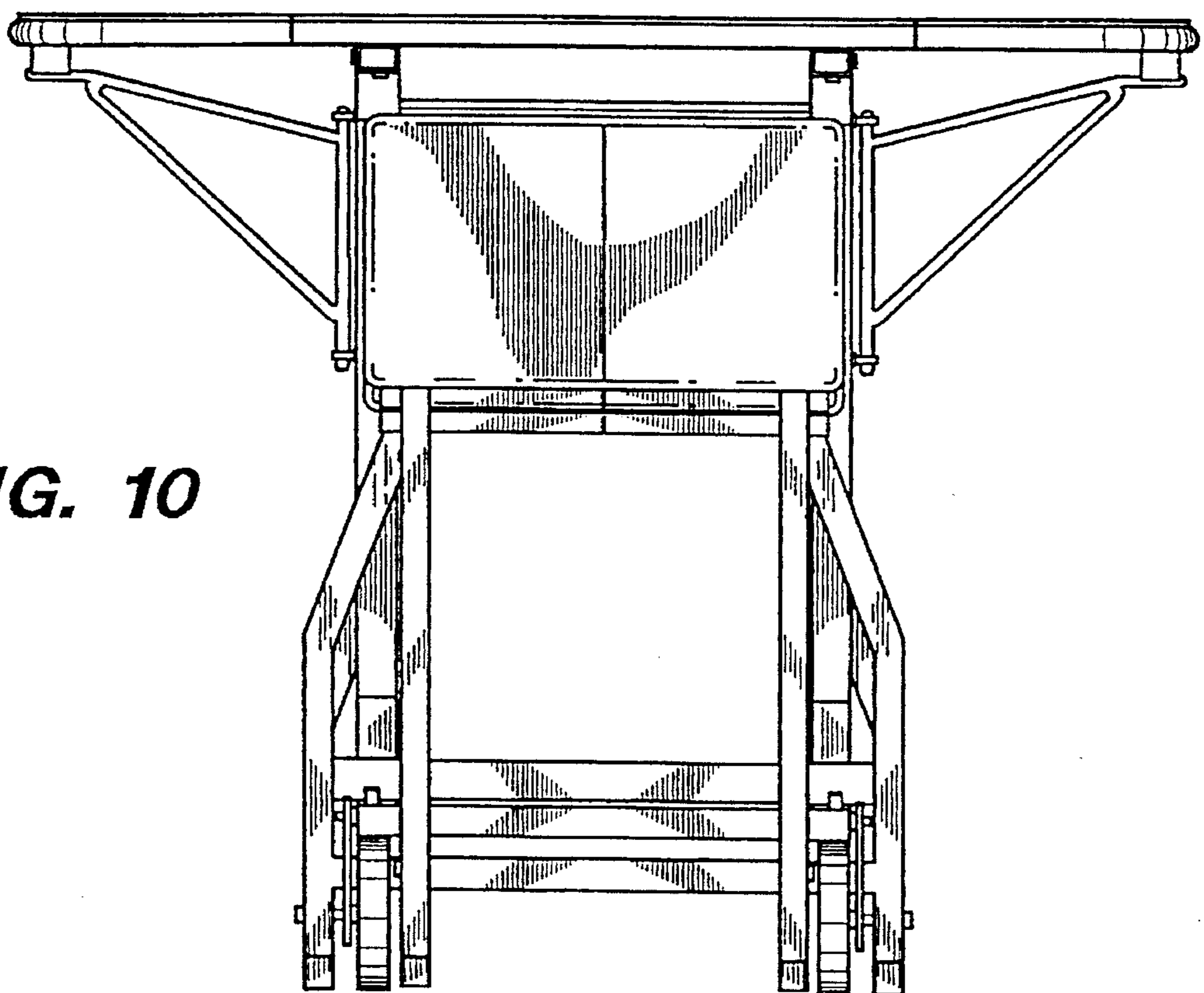


FIG. 10