



US00D373475S

United States Patent [19]

Sullivan

[11] Patent Number: Des. 373,475

[45] Date of Patent: **Sep. 10, 1996

[54] **COMBINED BEACH CHAIR AND BACKRACK**

[76] Inventor: **Tom Sullivan**, 1347 Gates Ave.,
Manhattan Beach, Calif. 90266

[**] Term: **14 Years**

[21] Appl. No.: **45,877**

[22] Filed: **Nov. 1, 1995**

[52] U.S. Cl. **D6/335**; D6/368

[58] Field of Search D6/334, 335, 336,
D6/368, 370, 374, 380, 500, 501, 502;
297/31, 56, 129

[56] **References Cited**

U.S. PATENT DOCUMENTS

D. 246,620	12/1977	Dranger et al.	D6/375
D. 284,910	8/1986	Handy	D6/336
D. 286,227	10/1986	Ellis	D6/335 X
D. 295,580	5/1988	Thomas	D6/366
D. 343,525	1/1994	Wright	D6/368

D. 365,696 1/1996 Infanti D6/368

Primary Examiner—Gary D. Watson
Attorney, Agent, or Firm—Roger A. Marrs

[57] **CLAIM**

The ornamental design for a combined beach chair and backrack, as shown and described.

DESCRIPTION

FIG. 1 is a side elevational view of a combined beach chair and backrack showing my new design with the opposite being a mirror image;

FIG. 2 is a front elevational view thereof, taken in the direction of the arrows on line 2—2 of FIG. 1;

FIG. 3 is a rear elevational view thereof;

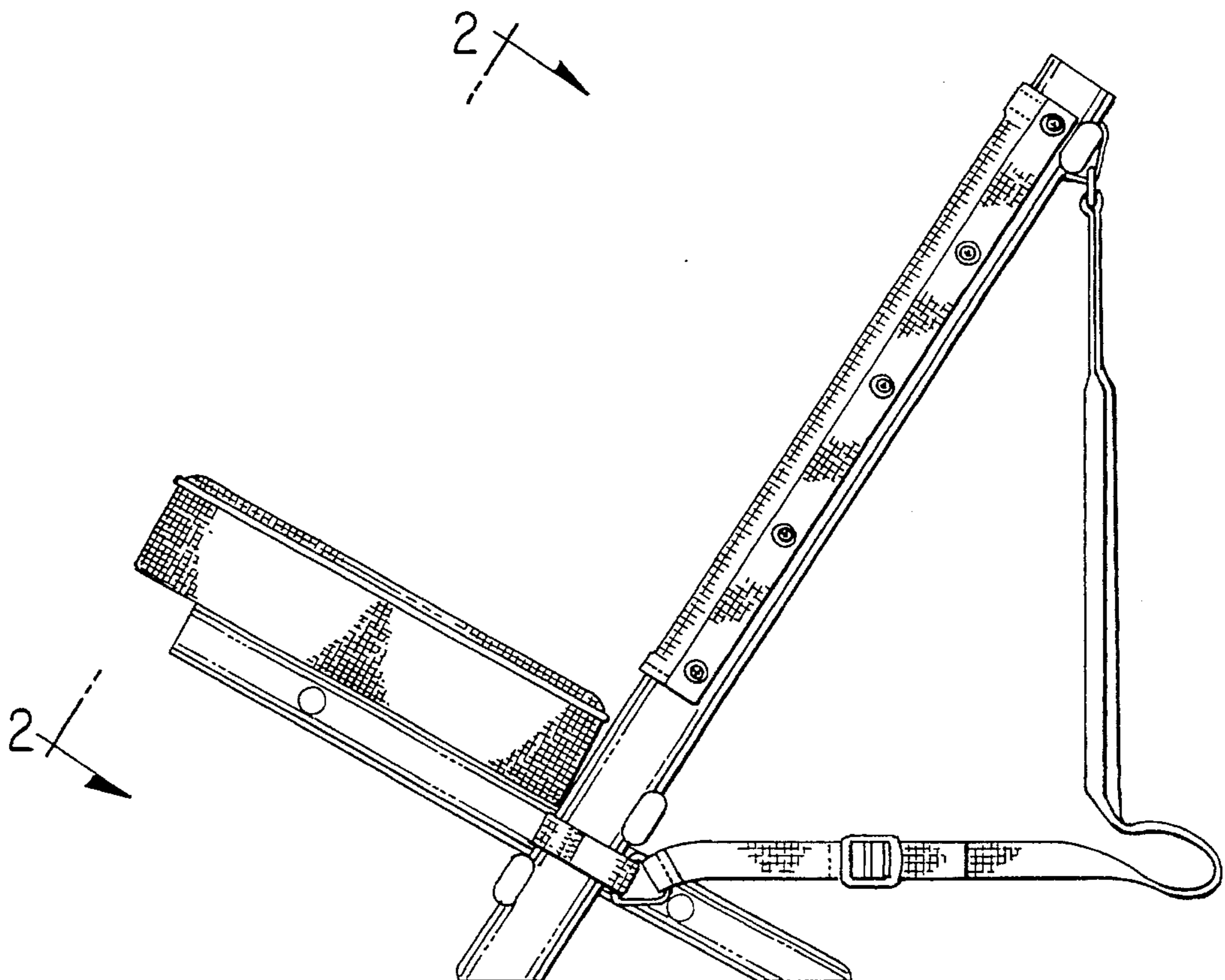
FIG. 4 is a top plan view thereof;

FIG. 5 is a bottom view thereof; and,

FIG. 6 is a front perspective view thereof.

FIG. 6 has been shown on a reduced scale and the strap members have not been shown for ease of illustration.

1 Claim, 2 Drawing Sheets



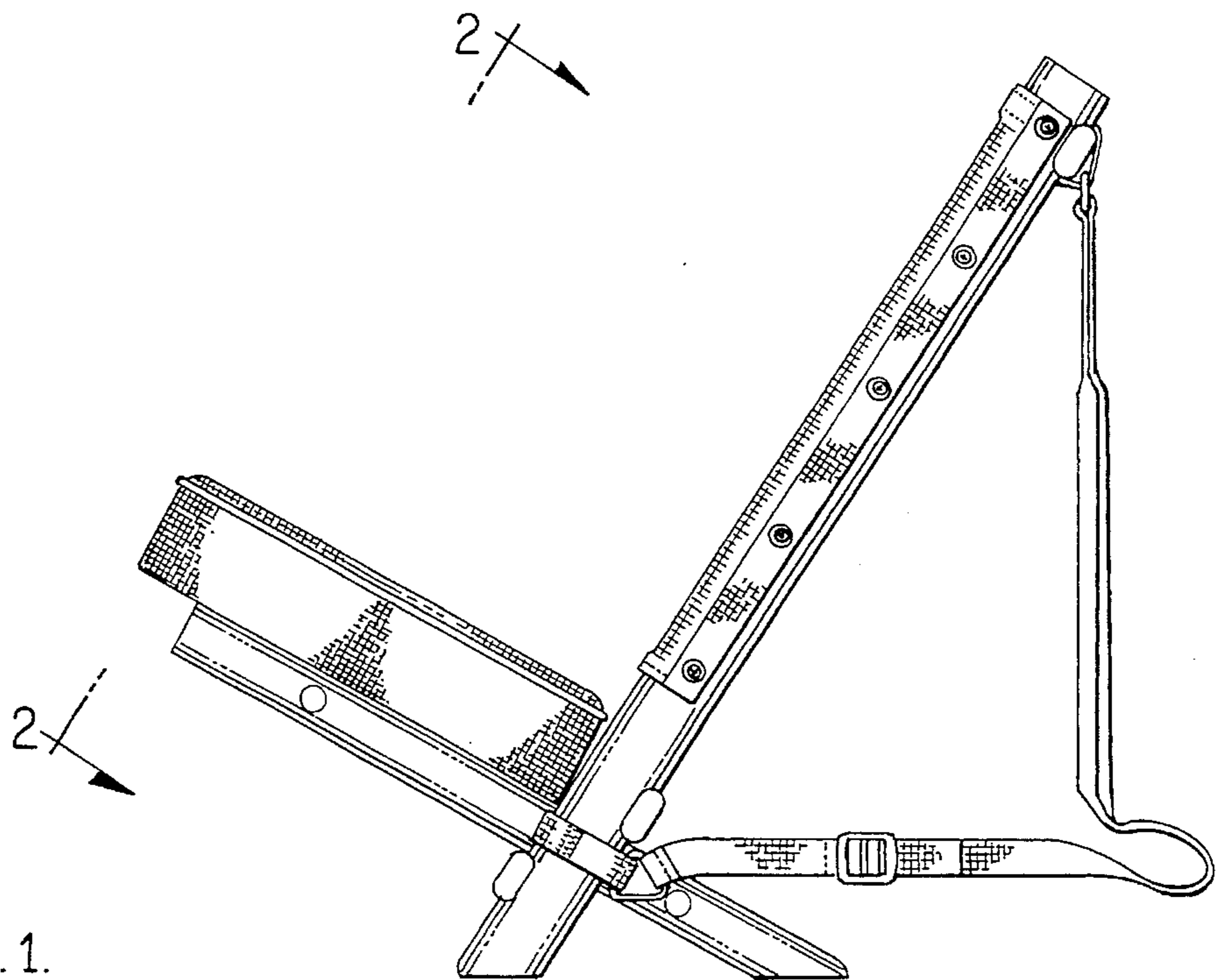


FIG. 1.

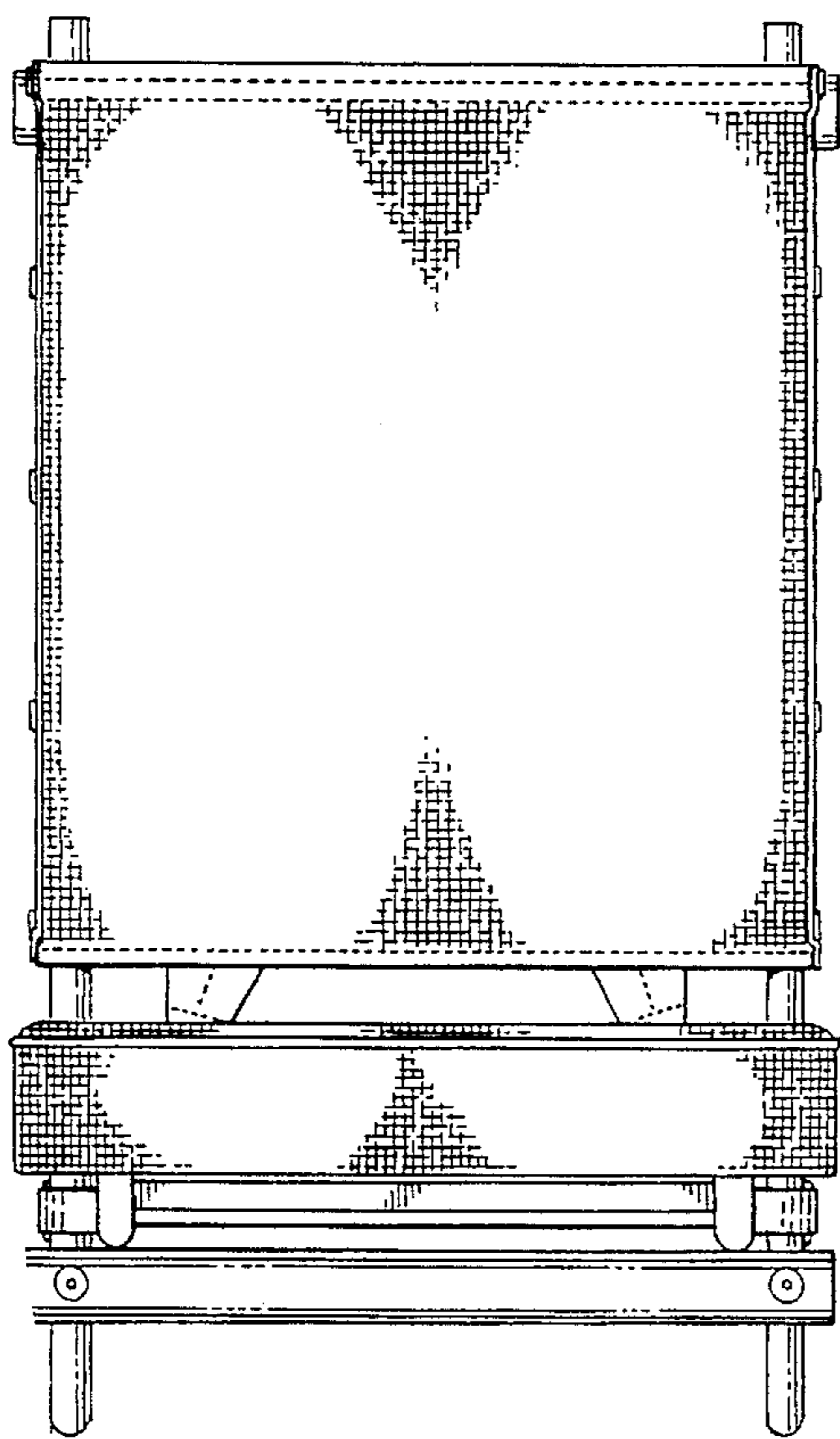


FIG. 2.

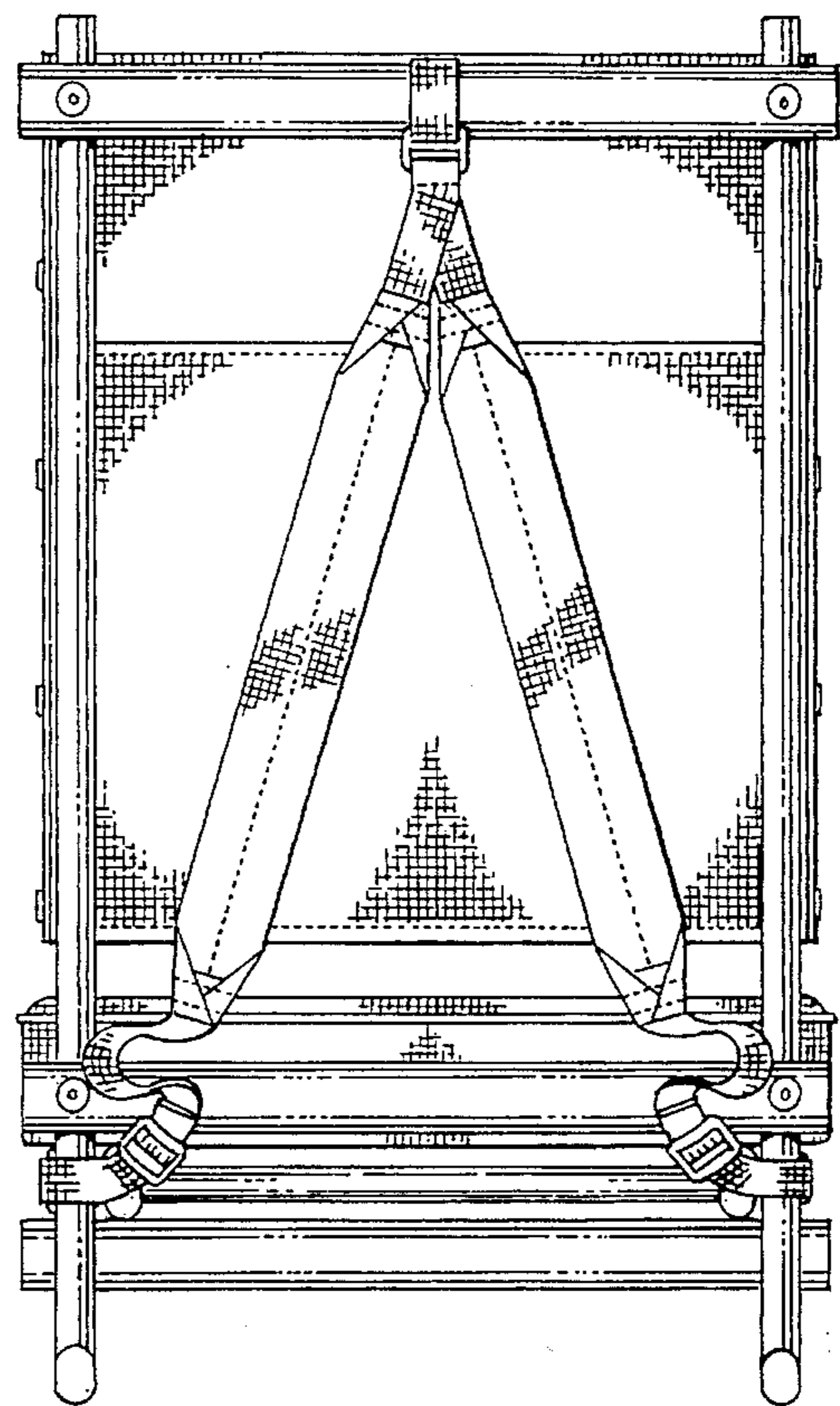


FIG. 3.

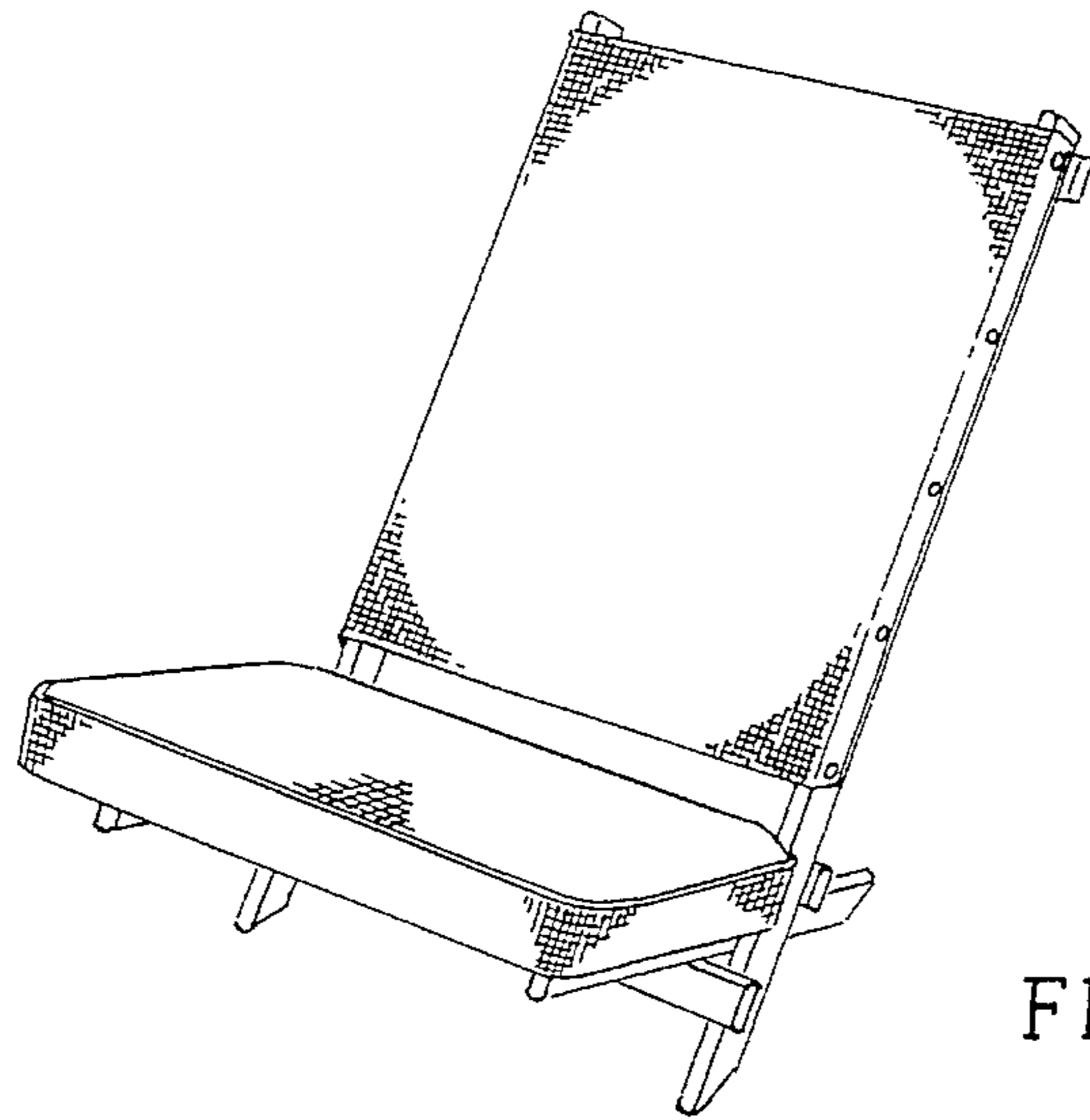


FIG. 6.

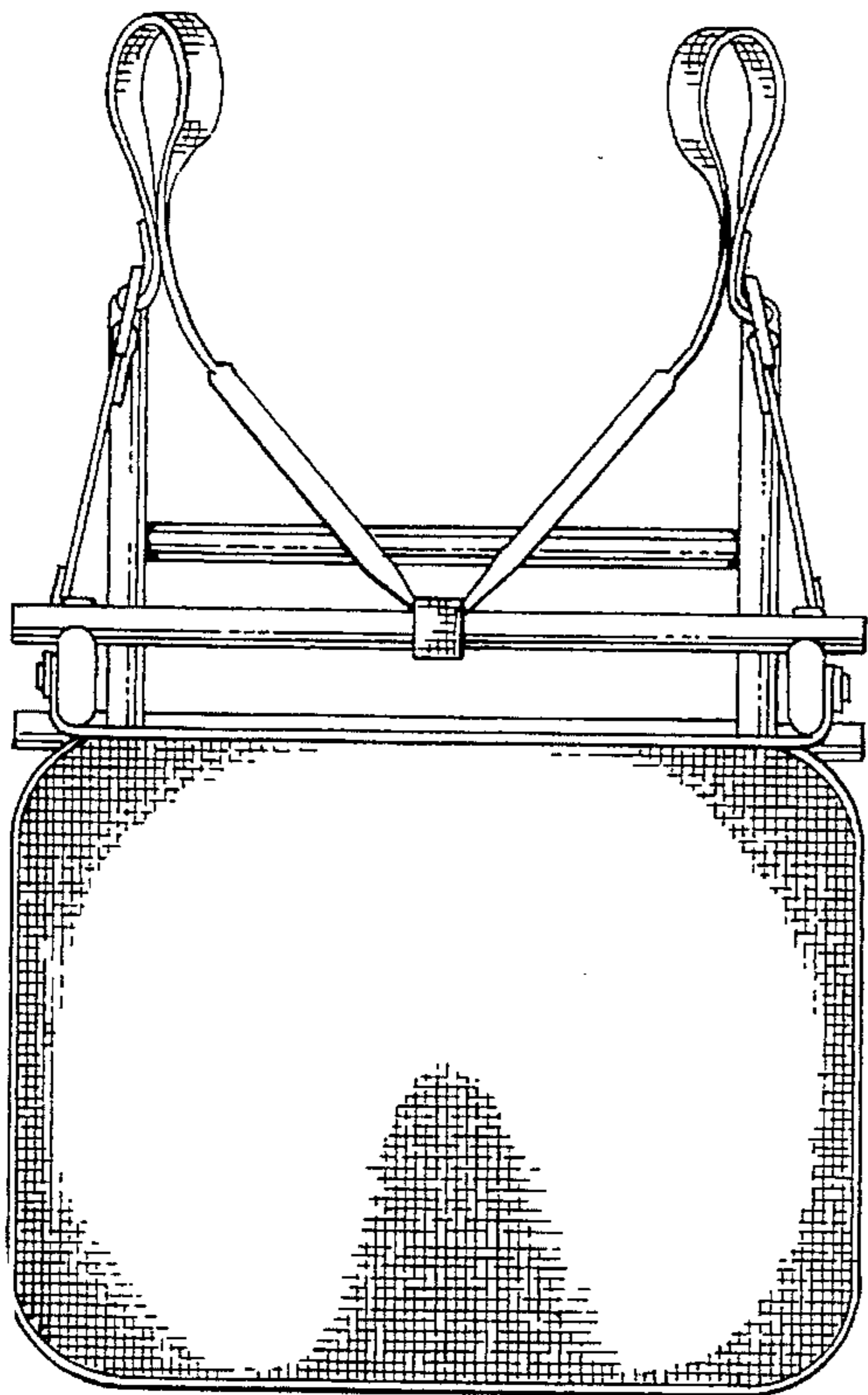


FIG. 4.

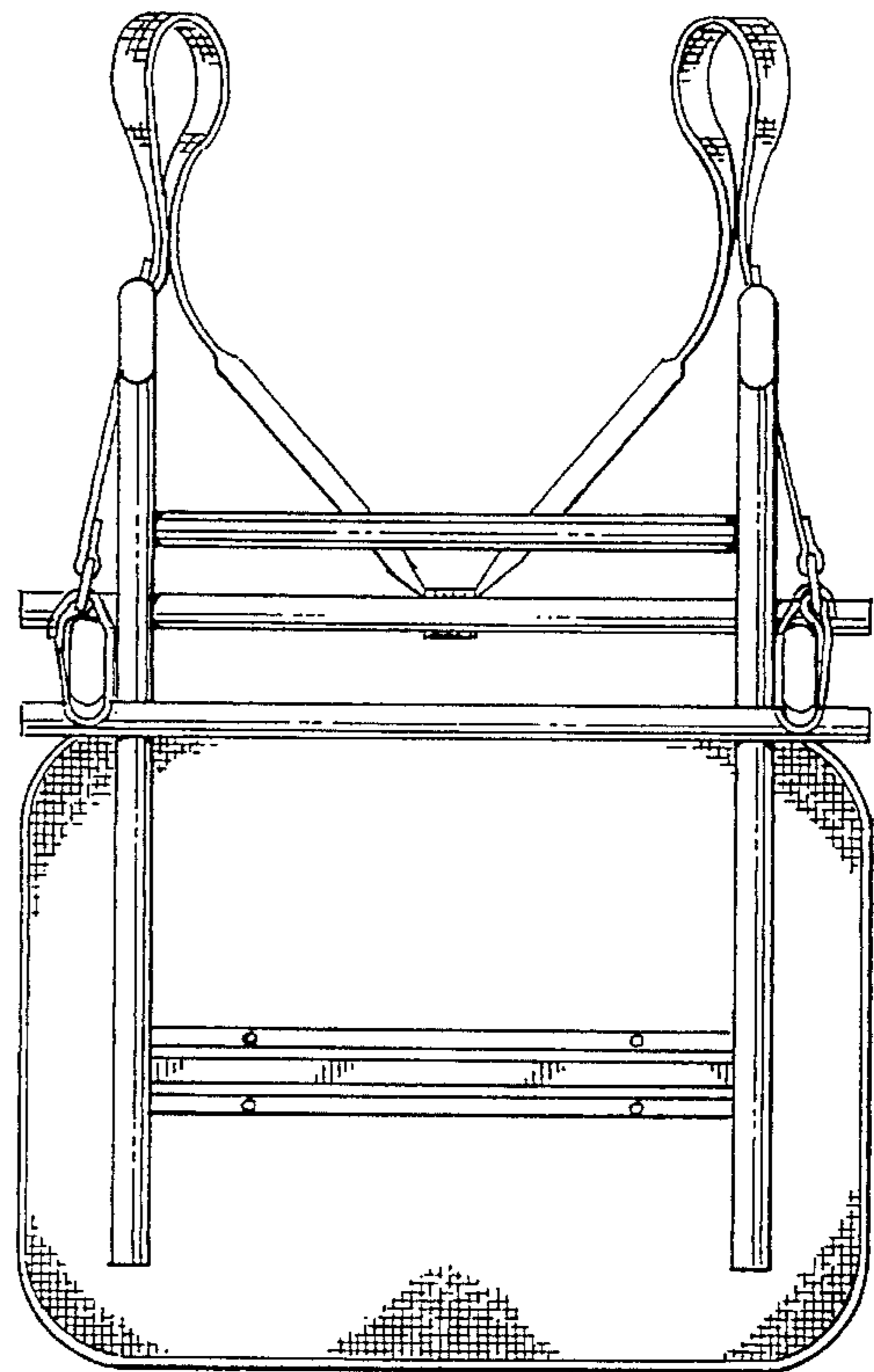


FIG. 5.