



US00D373471S

United States Patent [19]
Banks

[11] **Patent Number:** **Des. 373,471**

[45] **Date of Patent:** ****Sep. 10, 1996**

[54] **PROTECTIVE COVER FOR GOLF GEAR**

[76] Inventor: **Percival C. Banks**, P.O. Box 162,
Sunriver, Oreg. 97707

[**] Term: **14 Years**

[21] Appl. No.: **27,214**

[22] Filed: **Aug. 16, 1994**

[52] **U.S. Cl.** **D3/255**

[58] **Field of Search** D3/254, 255, 320;
206/315.1, 315.2, 315.3, 315.4, 315.5, 315.6,
315.7, 315.8, 315.9

[56] **References Cited**

U.S. PATENT DOCUMENTS

D. 256,293	8/1980	Edwards	D3/255 X
D. 314,468	2/1991	Wolever	D3/255 X
4,953,697	9/1990	Stanley	D3/255 X
5,005,623	4/1991	Webster, Jr.	206/315.4 X
5,131,442	7/1992	Bevier	206/315.4 X
5,383,505	1/1995	Cordasco, Jr.	206/315.4 X
5,407,723	4/1995	Curtin	206/315.4 X

Primary Examiner—Doris V. Coles
Assistant Examiner—Catherine R. Oliver

Attorney, Agent, or Firm—Chernoff, Vilhauer, McClung & Stenzel

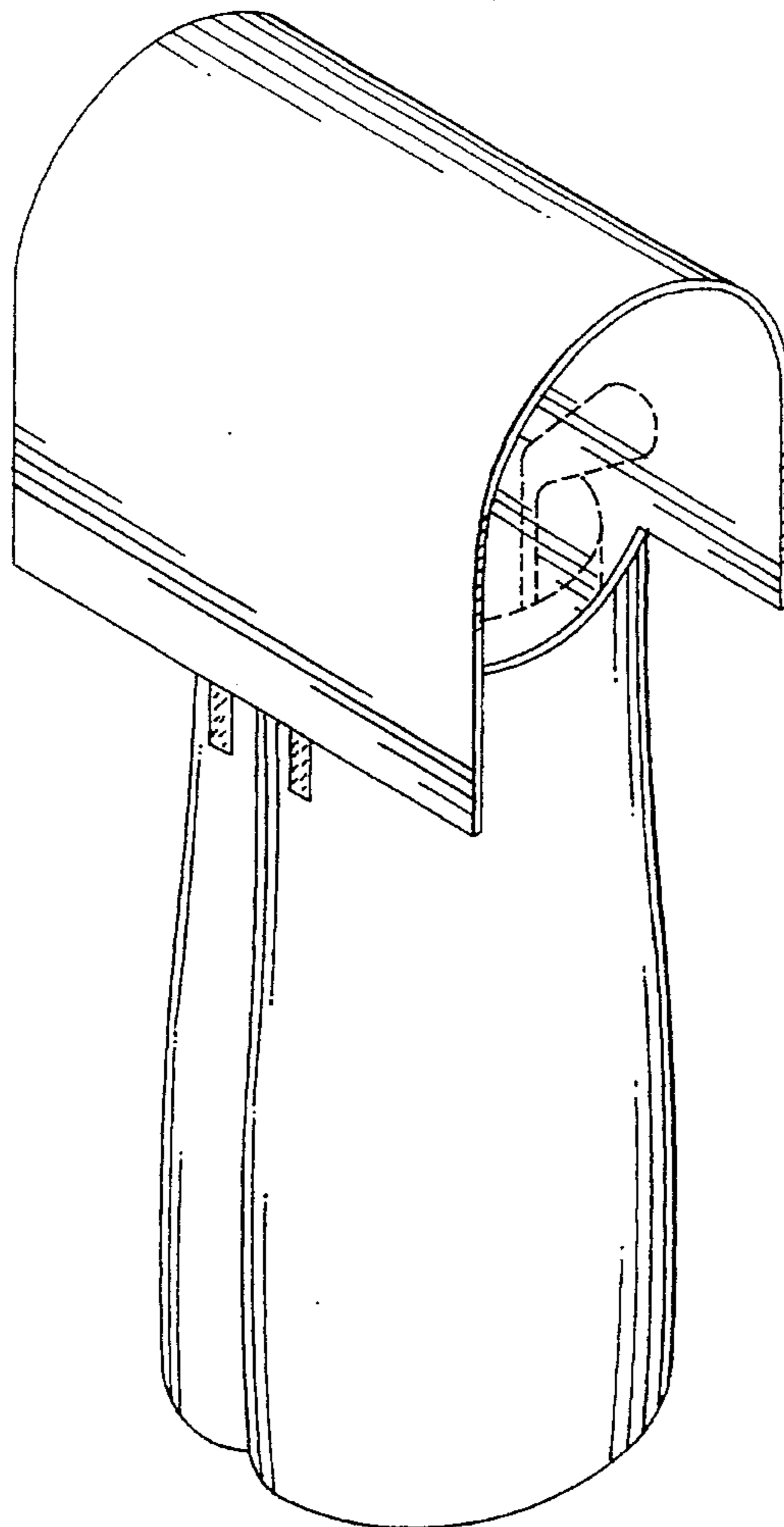
[57] **CLAIM**

The ornamental design for a protective cover for golf gear, as shown and described.

DESCRIPTION

FIG. 1 is a perspective view of a protective cover for golf gear, showing my new design in a position of use;
FIG. 2 is a perspective view of the protective cover;
FIG. 3 is a front elevational view thereof;
FIG. 4 is a side elevational view thereof, the opposite side being a mirror image of that shown;
FIG. 5 is a rear elevational view thereof;
FIG. 6 is a top plan view thereof;
FIG. 7 is a bottom plan view thereof;
FIG. 8 is a front elevational view of a protective cover for golf gear;
FIG. 9 is a side elevational view thereof;
FIG. 10 is a top plan view thereof; and,
FIG. 11 is a bottom plan view thereof.
The broken line showing of FIGS. 1 and 8 is for illustration purposes only and forms no part of the claimed design.

1 Claim, 4 Drawing Sheets



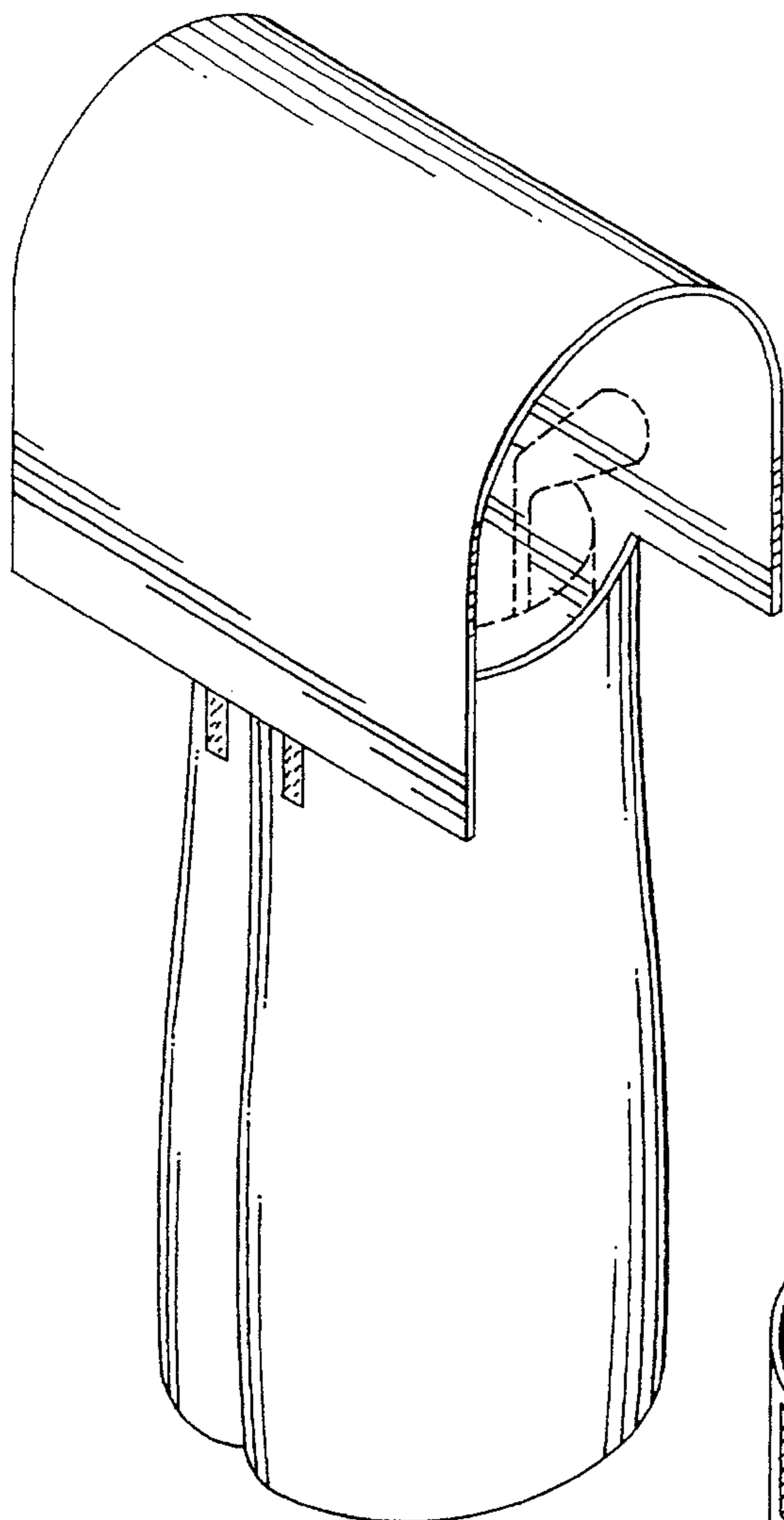


FIG.1

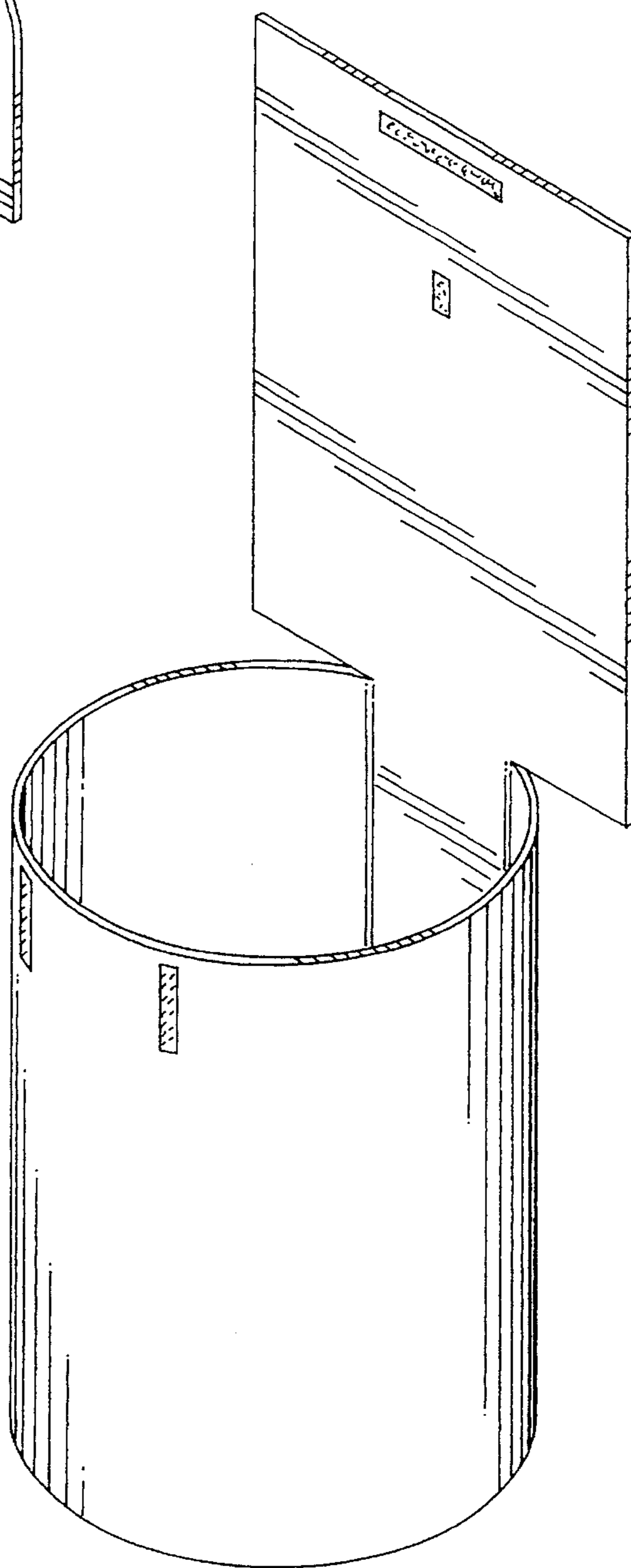


FIG.2

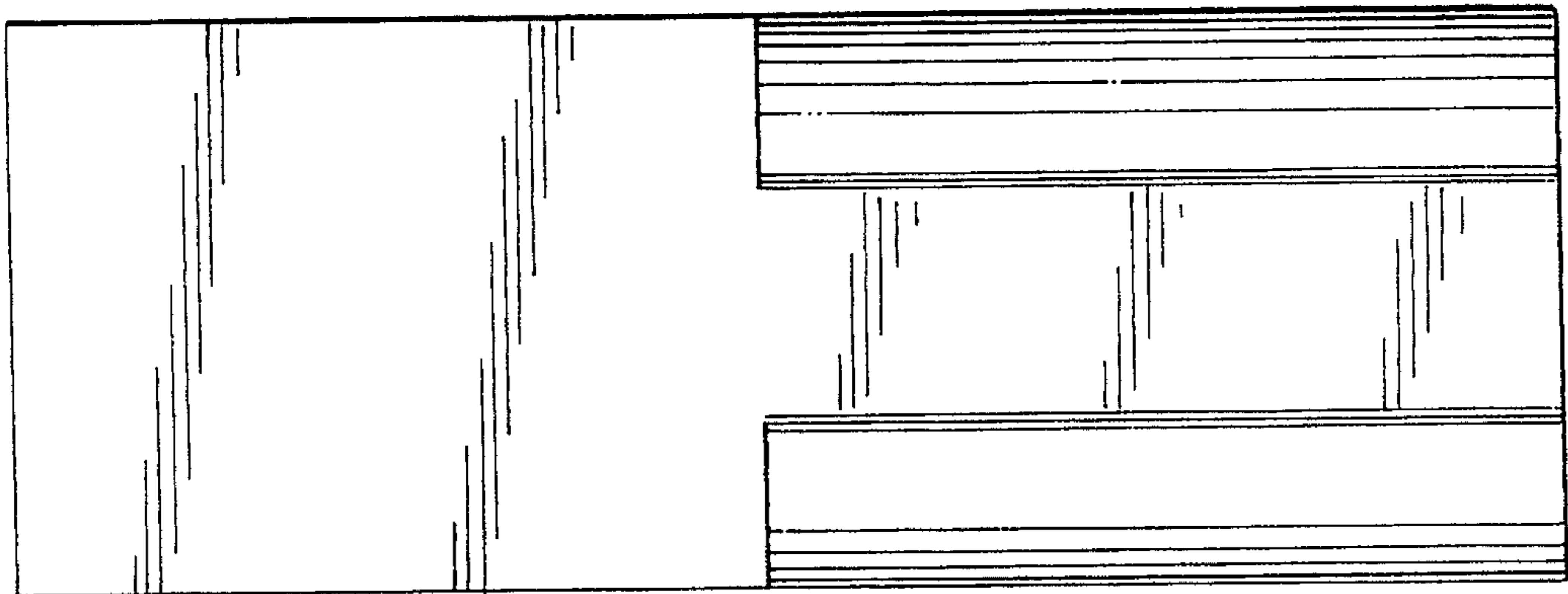


FIG. 5

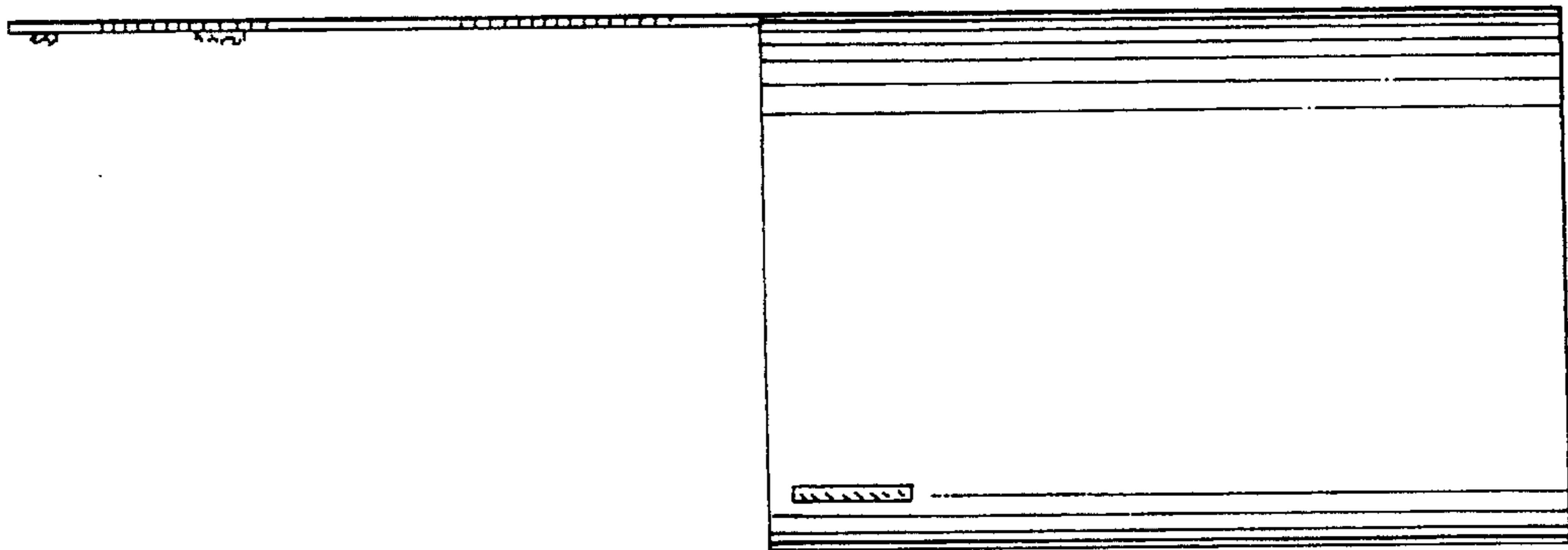


FIG. 4

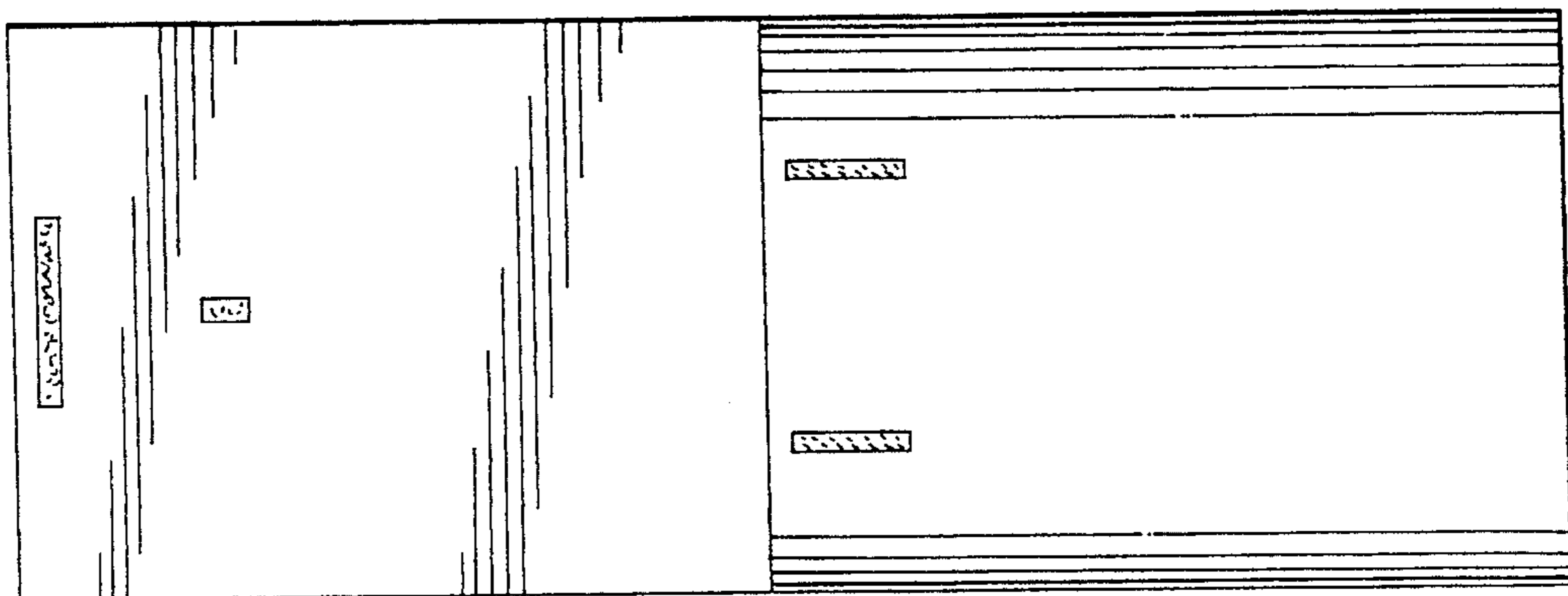


FIG. 3

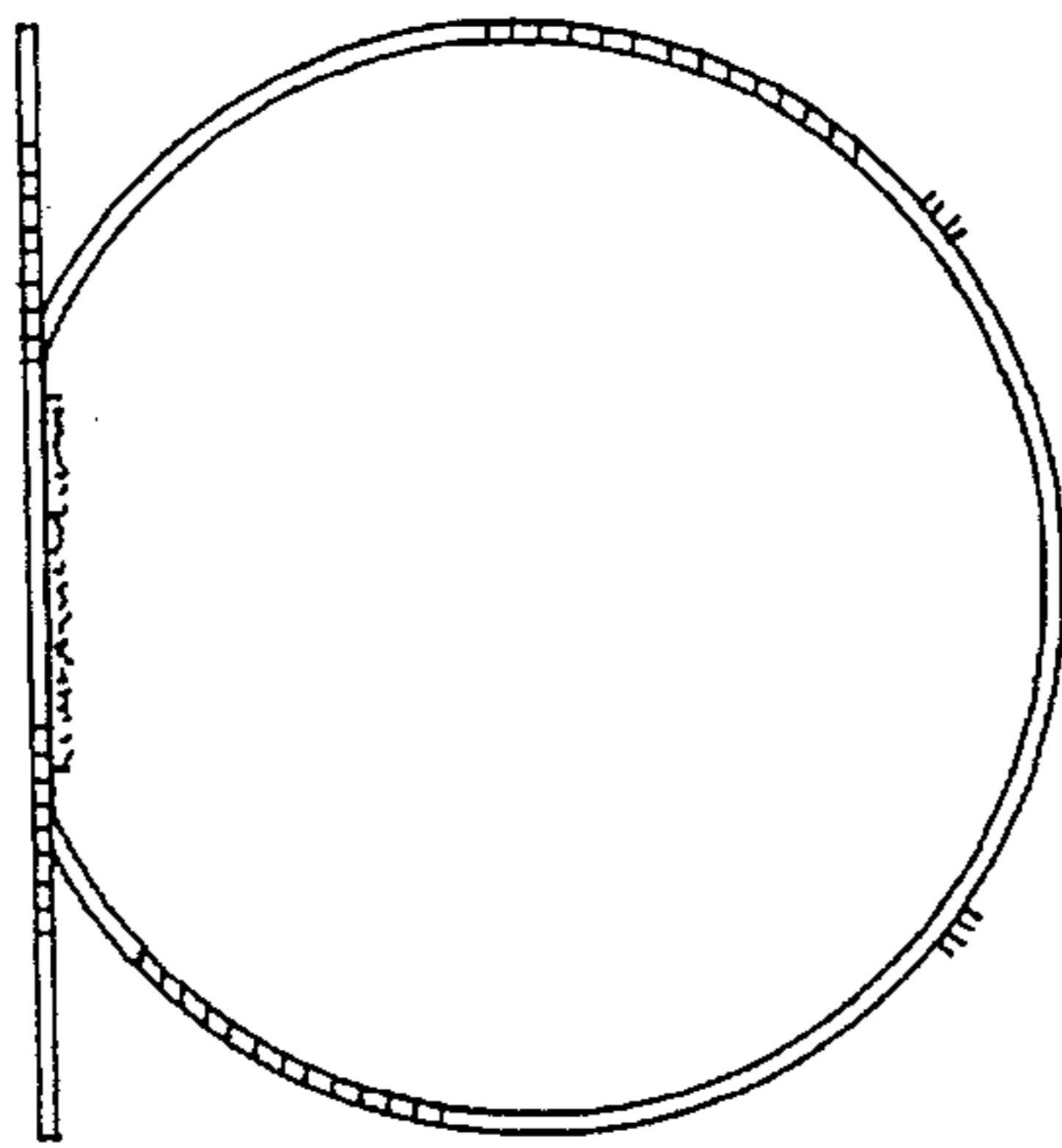


FIG. 6

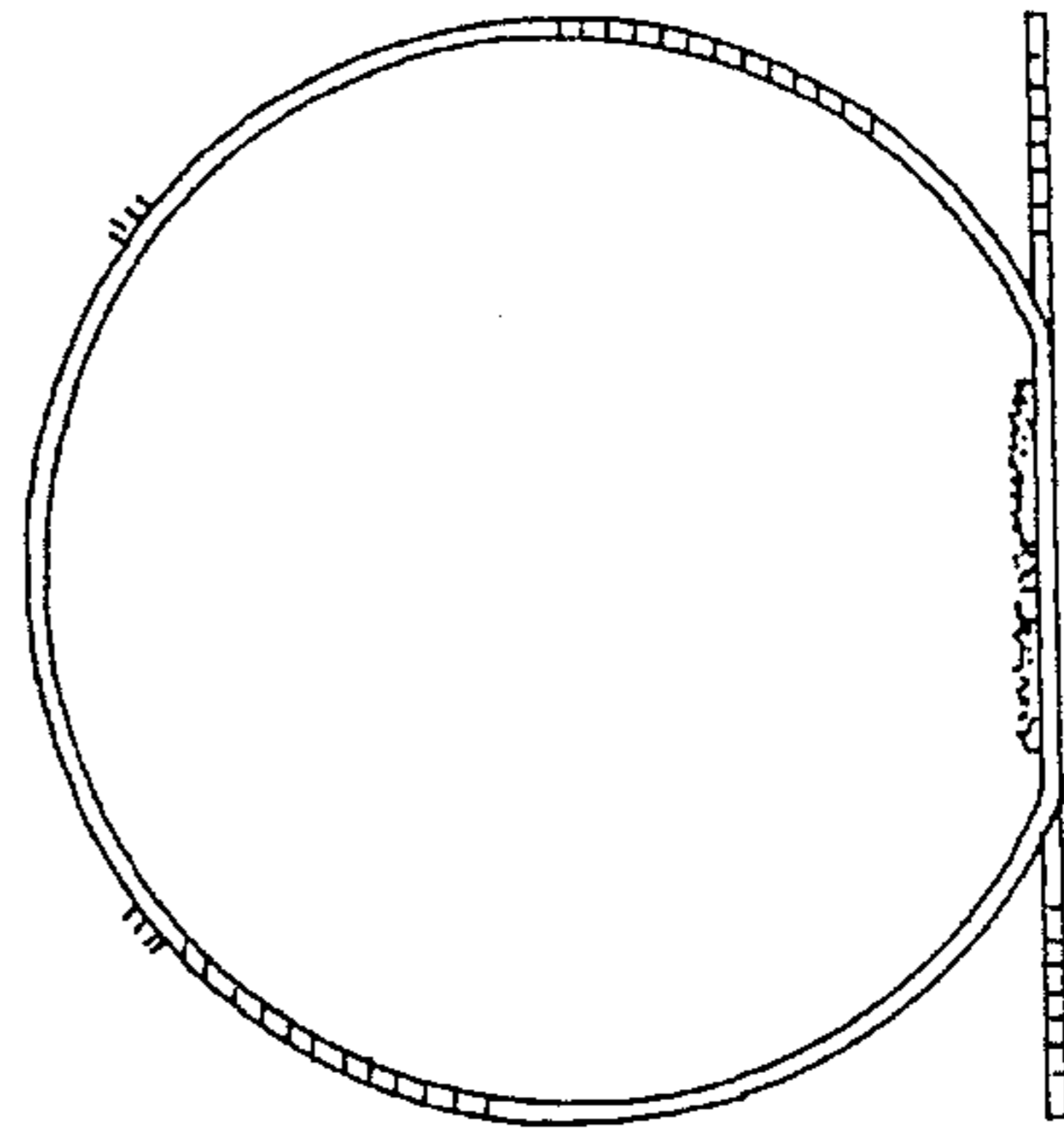


FIG. 7

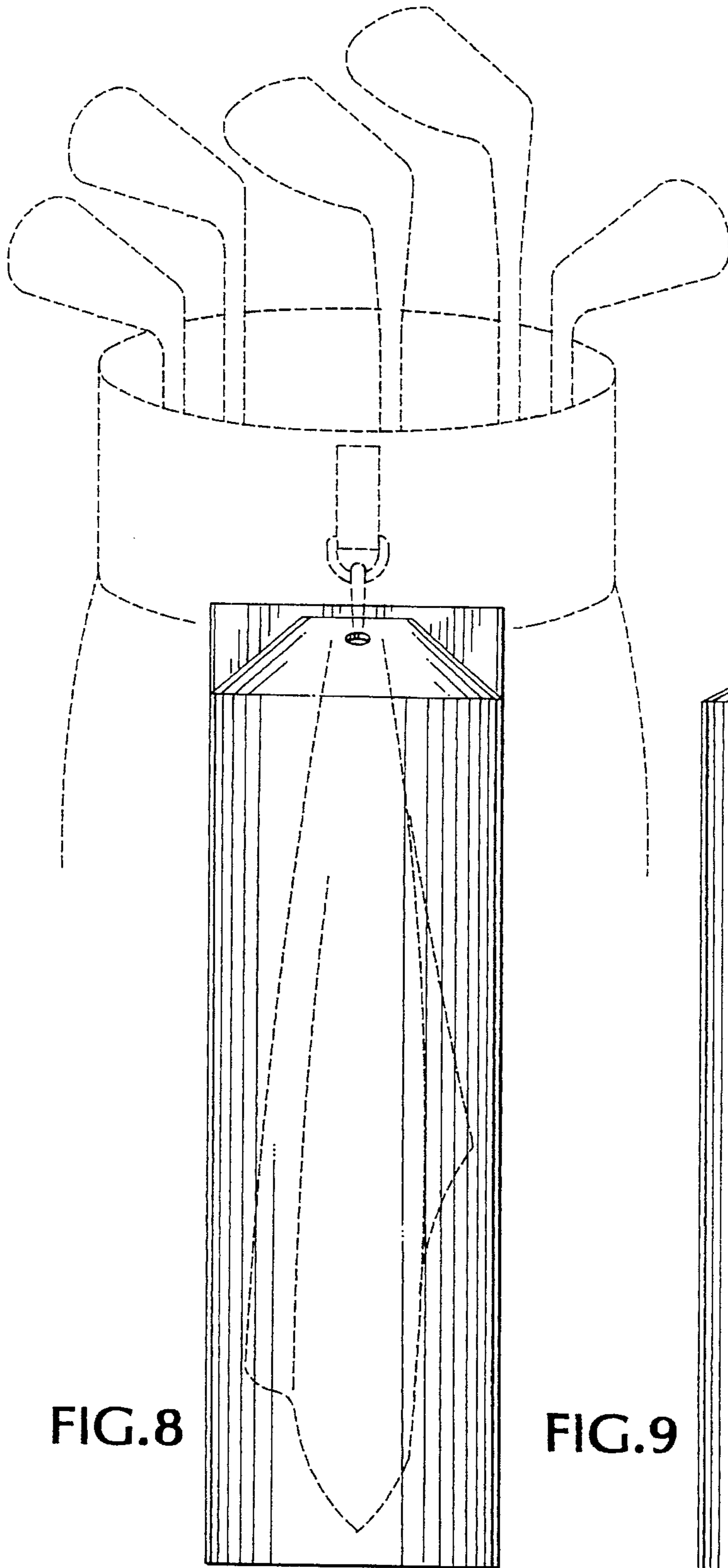


FIG. 8

FIG. 9

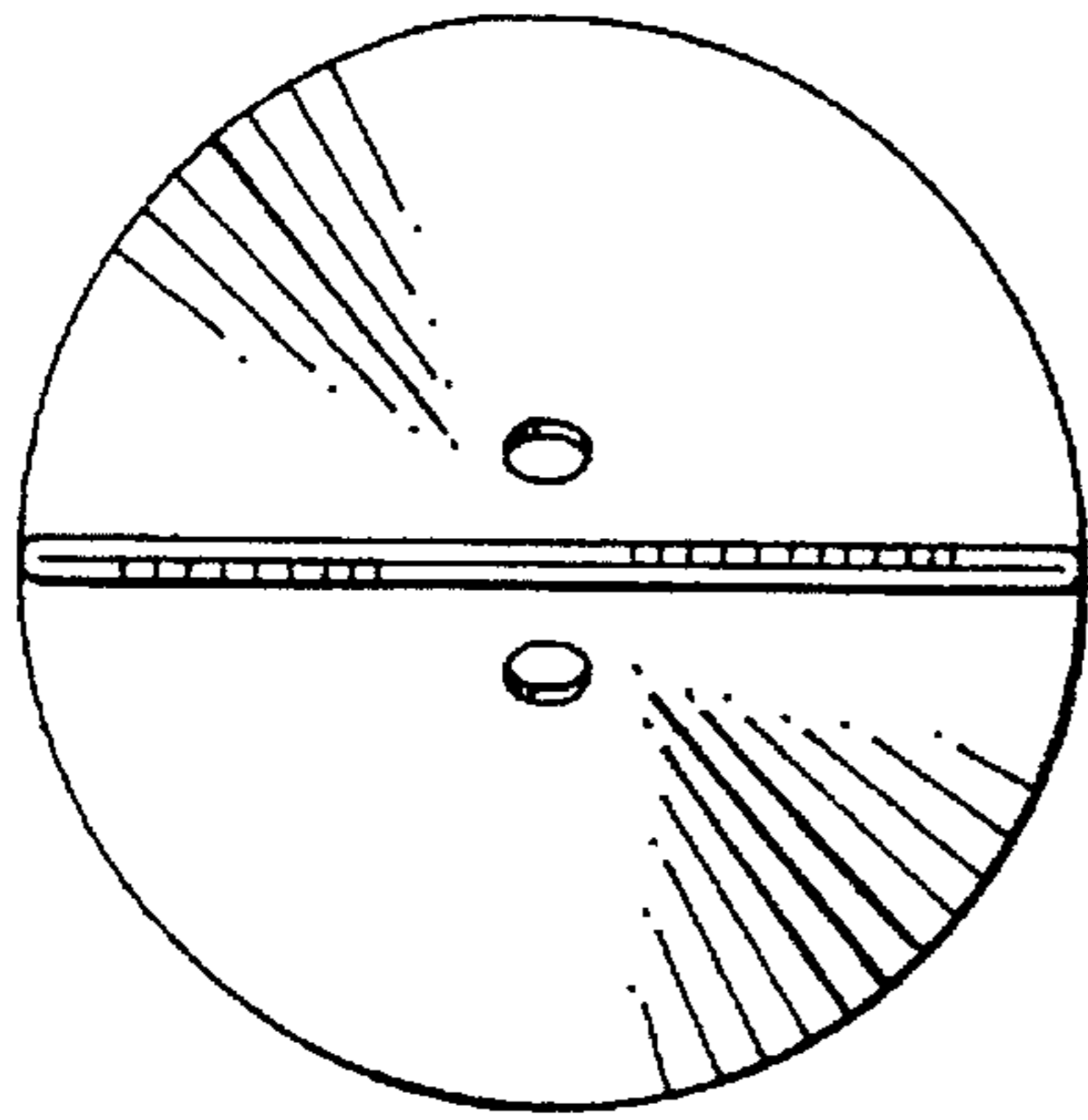


FIG. 10

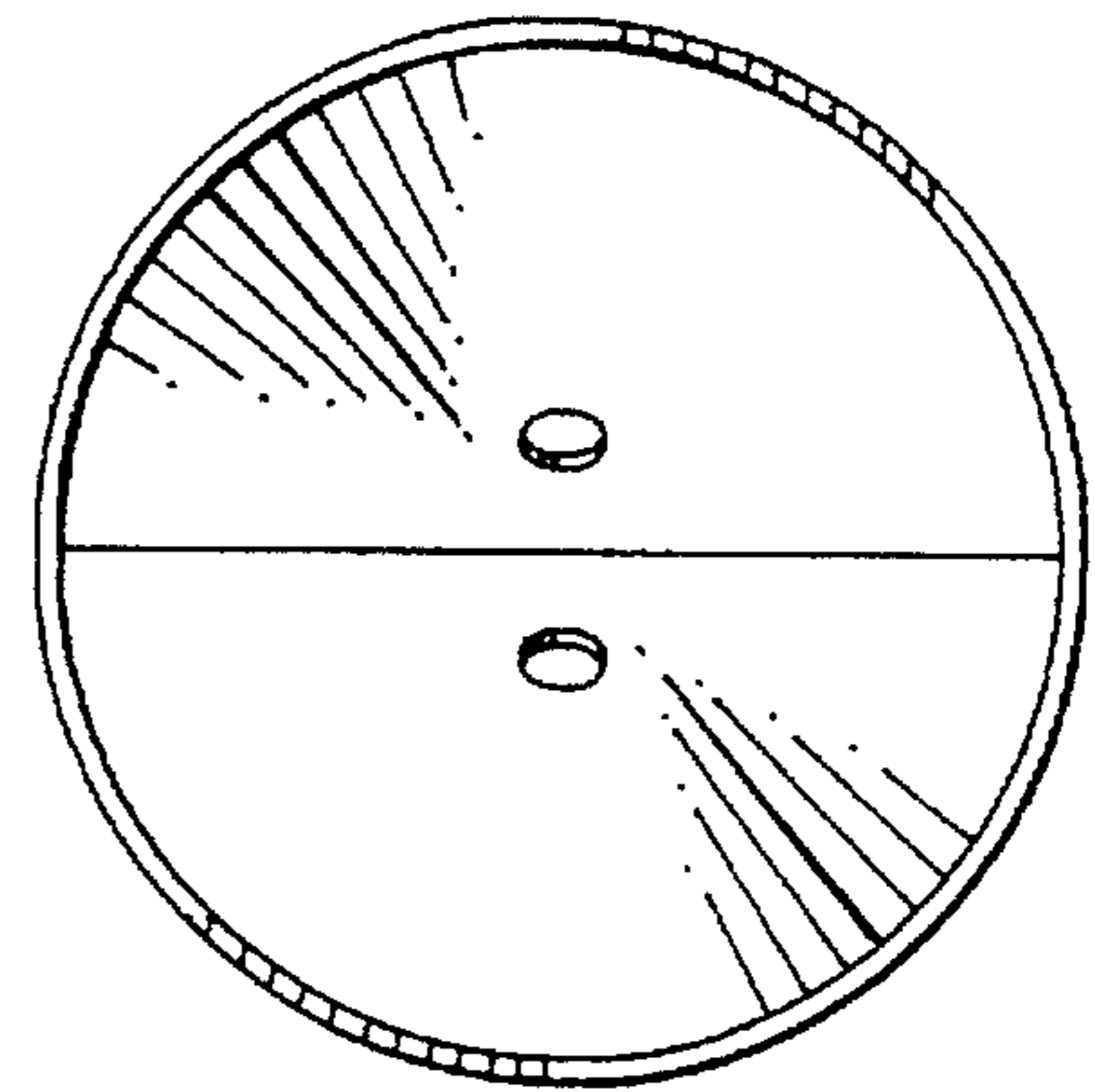


FIG. 11