



US00D373460S

United States Patent [19]
Crowley

[11] **Patent Number: Des. 373,460**

[45] **Date of Patent: **Sep. 10, 1996**

[54] **SHOE UPPER**

[75] Inventor: **Kevin J. Crowley**, Brentwood, N.H.

[73] Assignee: **Fila U.S.A., Inc.**, Hunt Valley, Md.

[**] Term: **14 Years**

[21] Appl. No.: **46,955**

[22] Filed: **Nov. 22, 1995**

[52] U.S. Cl. **D2/969; D2/970**

[58] Field of Search **D2/969, 970, 902,
D2/907, 908, 910, 912; 36/45, 50.1, 83,
88, 89, 102-104, 114, 116**

[56] **References Cited**

U.S. PATENT DOCUMENTS

D. 278,186	4/1985	Michaeli	D2/969
D. 294,422	3/1988	Gamm	D2/969
D. 310,441	9/1990	Ali et al.	D2/969
5,471,769	12/1995	Sink	36/50.1

Primary Examiner—Doris V. Coles
Attorney, Agent, or Firm—Fish & Richardson, P.C.

[57] **CLAIM**

The ornamental design for a shoe upper, as shown and described.

DESCRIPTION

FIG. 1 is a perspective view of a first embodiment of a shoe upper showing my new design;
FIG. 2 is a top view of the first embodiment;
FIG. 3 is a left side view of the first embodiment;
FIG. 4 is a front view of the first embodiment;
FIG. 5 is a rear view of the first embodiment;
FIG. 6 is a bottom view of the first embodiment;
FIG. 7 is a perspective view of a second embodiment of a shoe upper according to my new design;
FIG. 8 is a top view of the second embodiment;
FIG. 9 is a left side view of the second embodiment;
FIG. 10 is a front view of the second embodiment;
FIG. 11 is a rear view of the second embodiment; and,
FIG. 12 is a bottom view of the second embodiment.
The broken line showing of a shoe sole in FIGS. 1 and 7 is for illustrative purposes only and forms no part of claimed design.

1 Claim, 10 Drawing Sheets

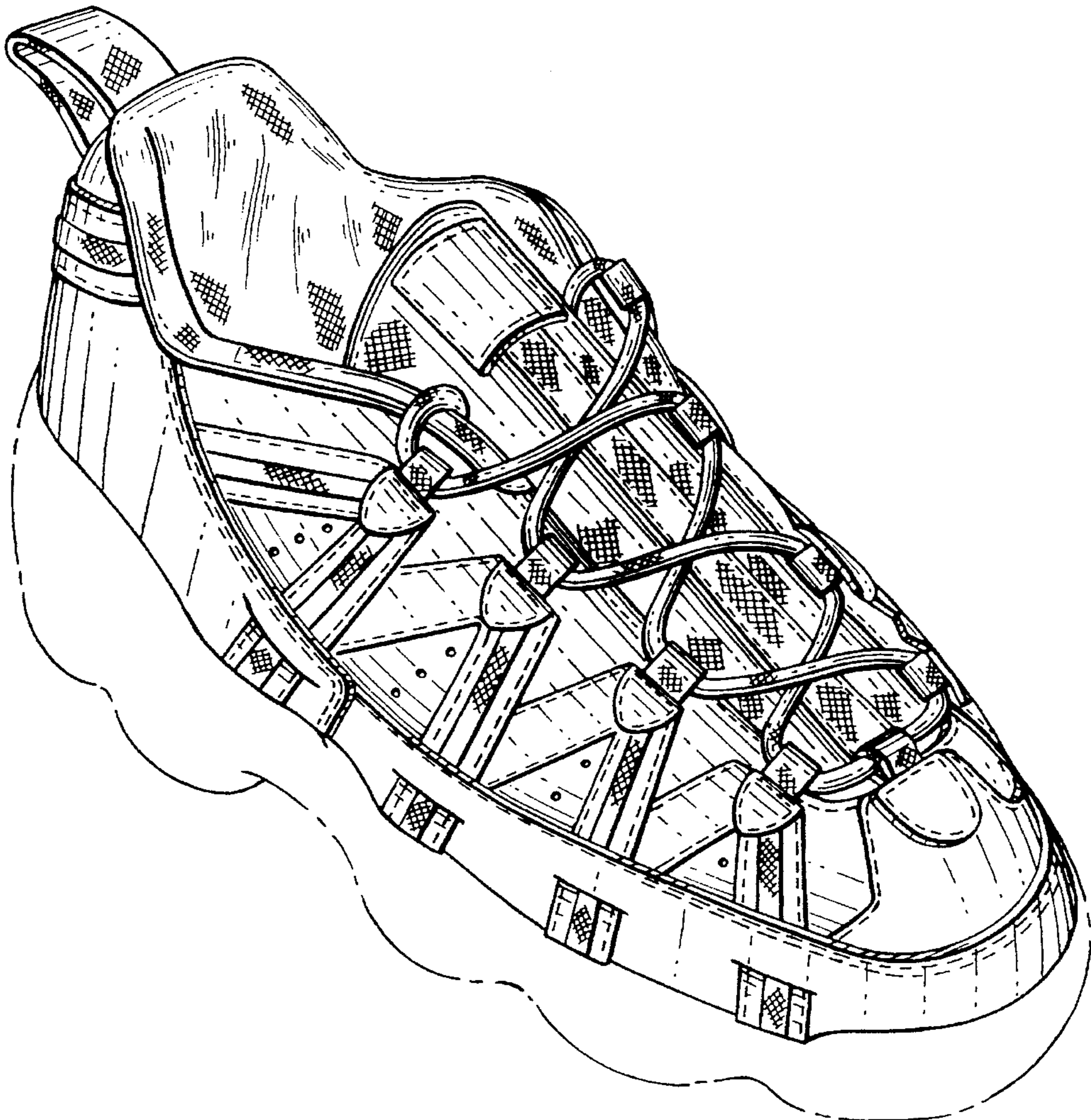


FIG. 1

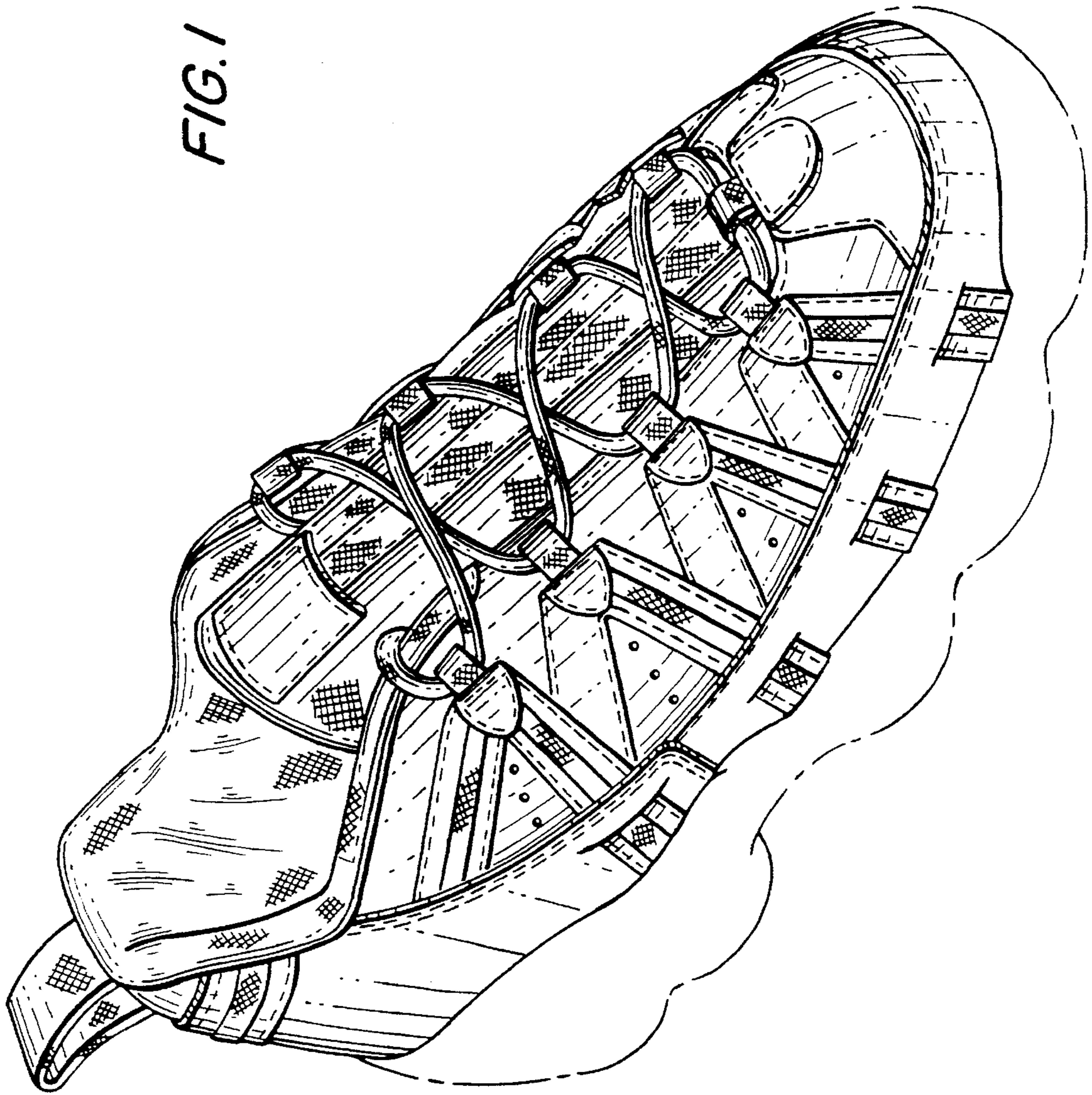


FIG. 2

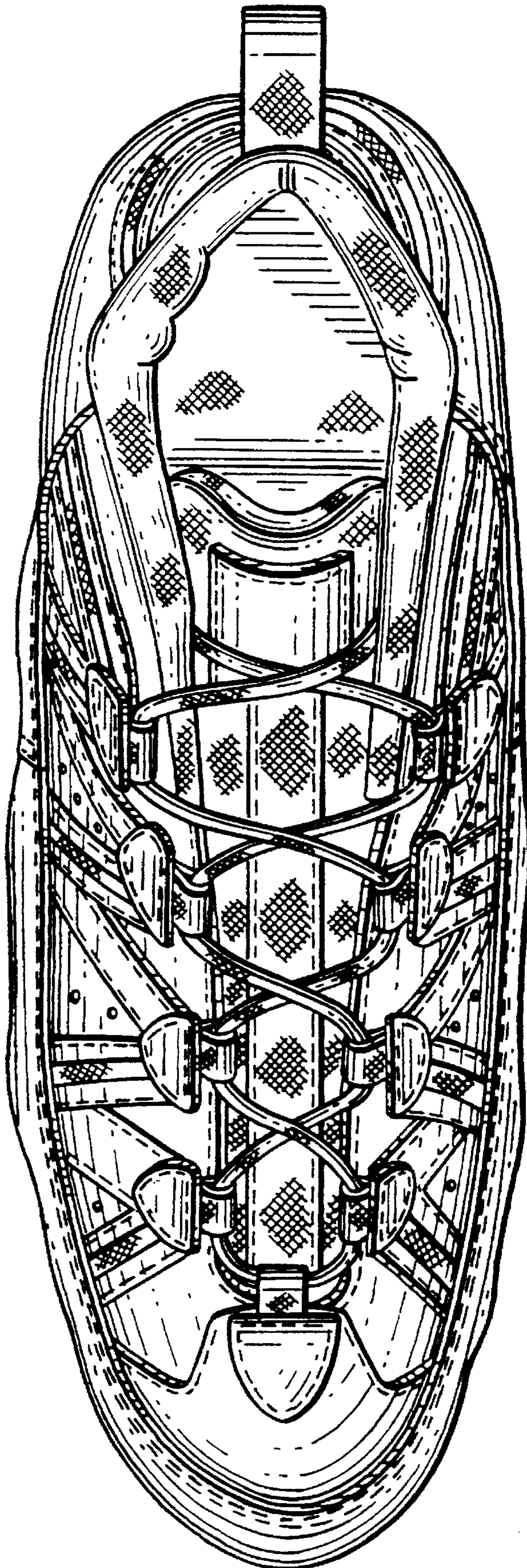


FIG. 3

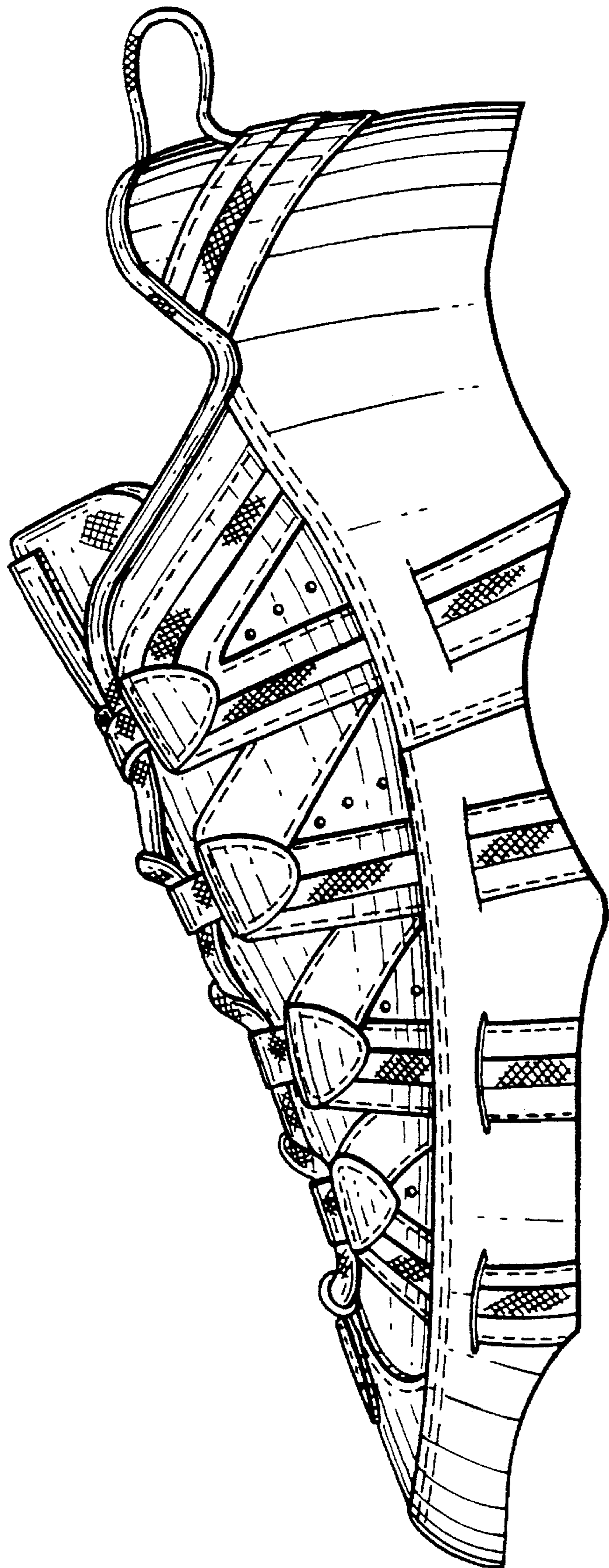


FIG. 5

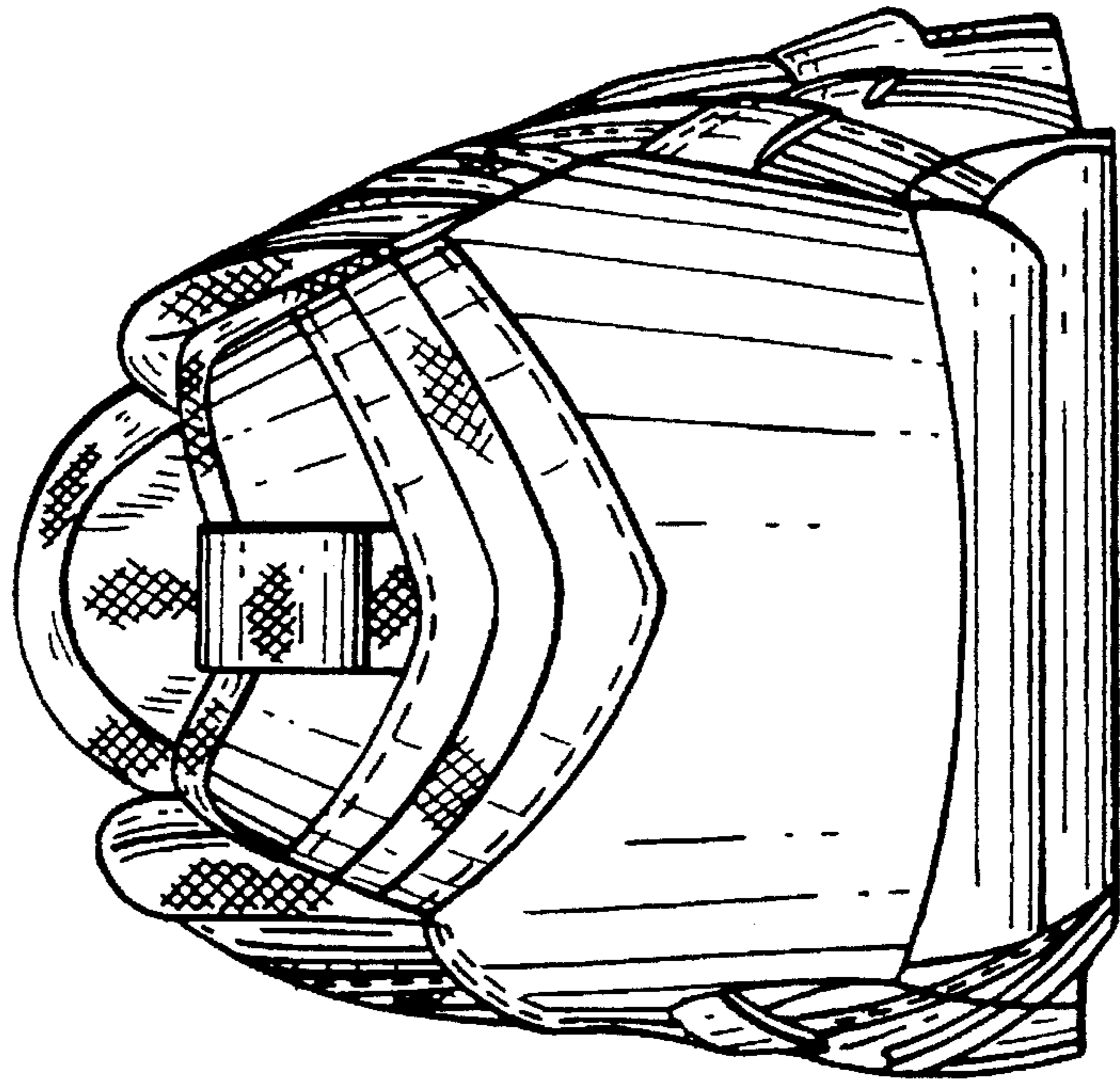


FIG. 4

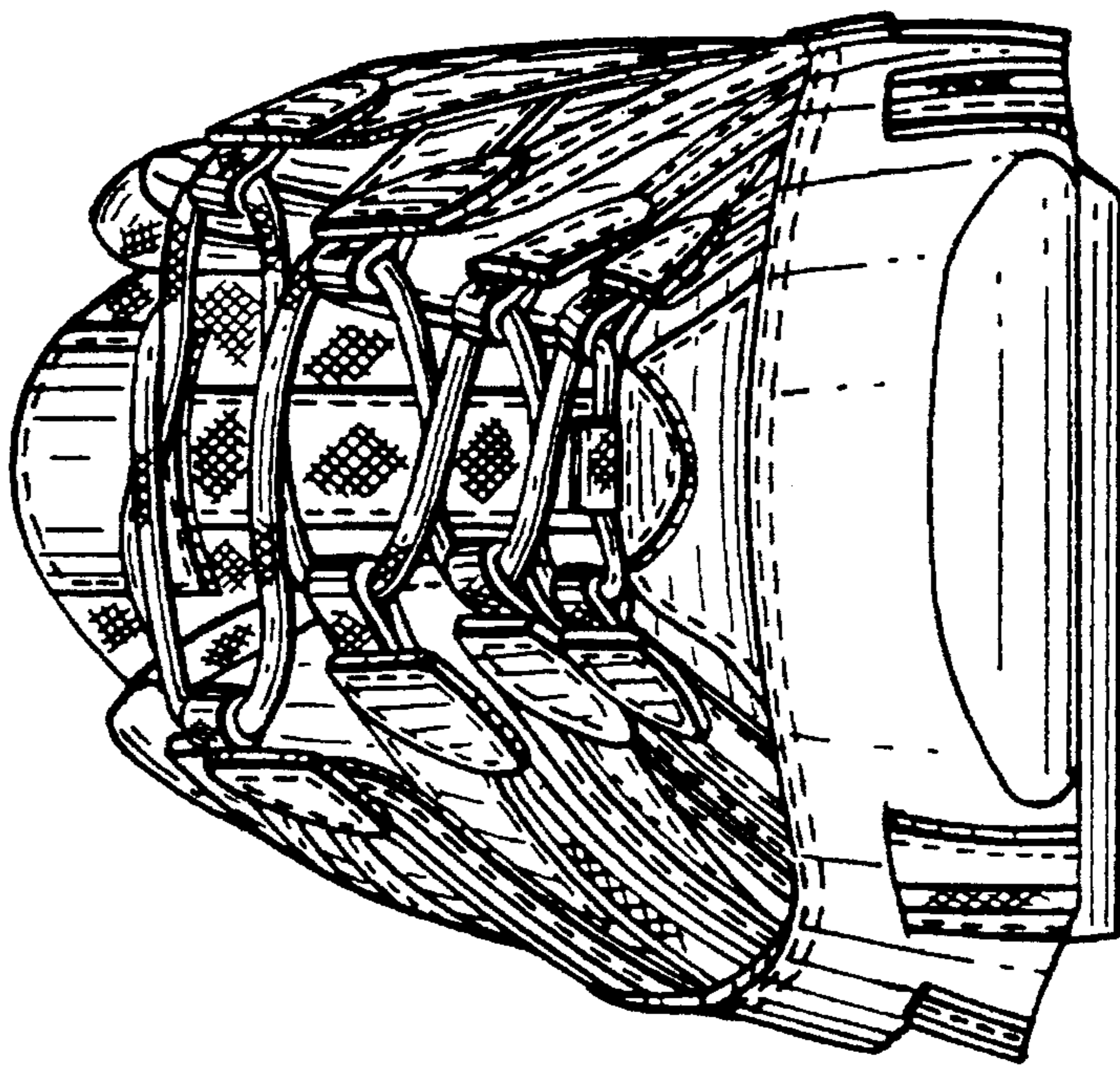


FIG. 6

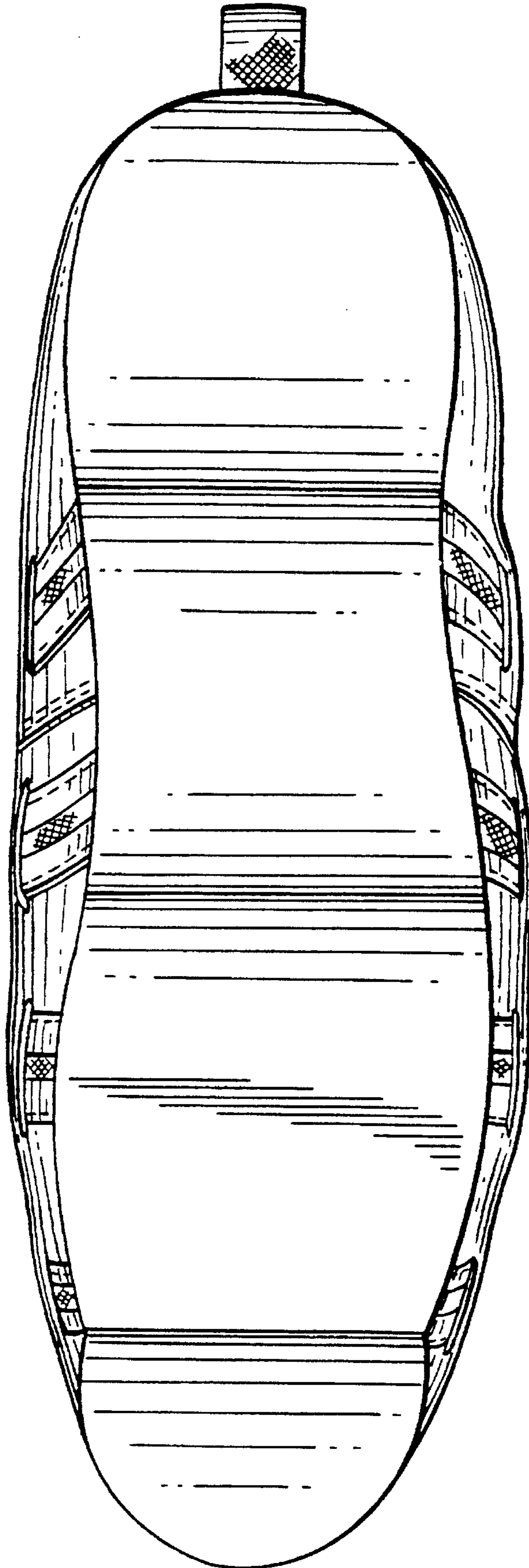


FIG. 7

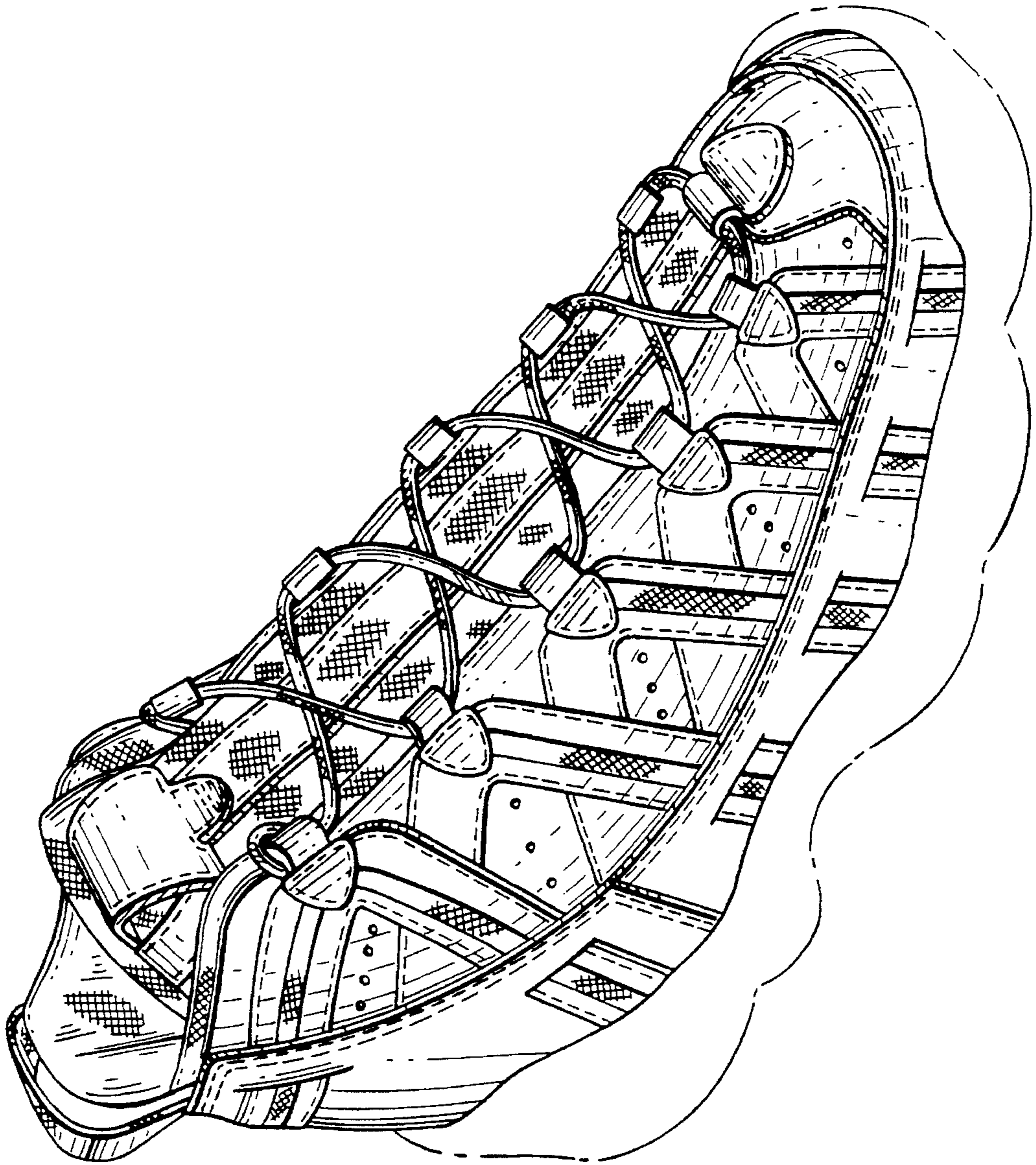
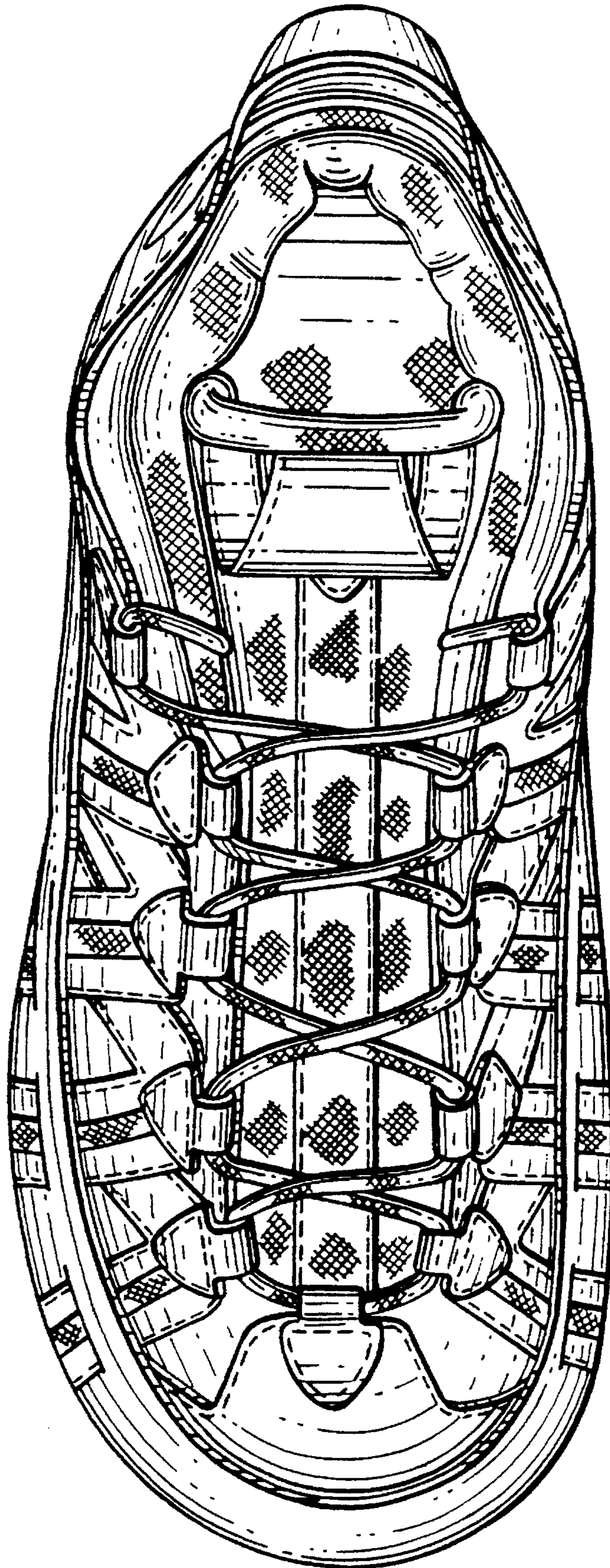


FIG. 8



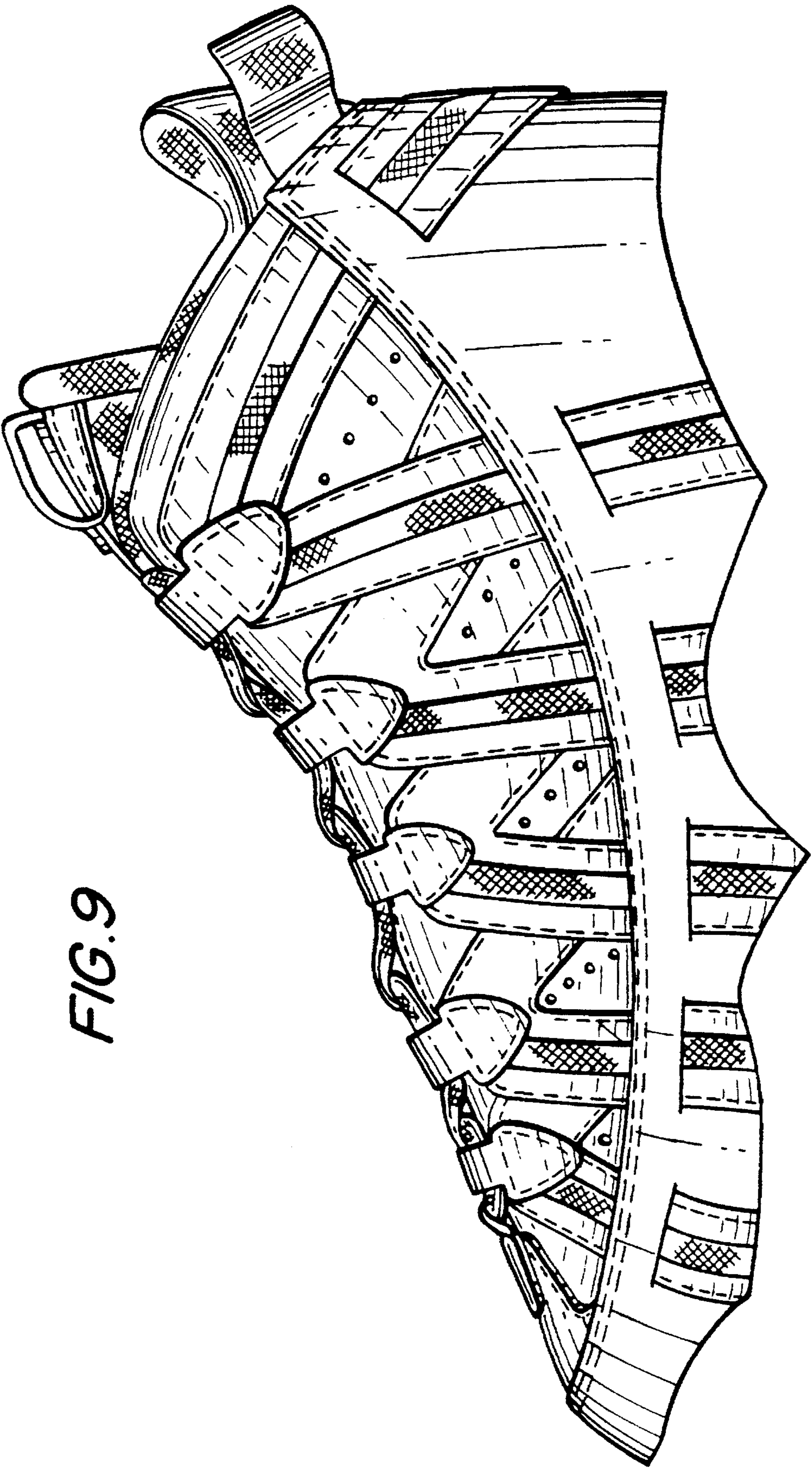


FIG. 9

FIG. 11

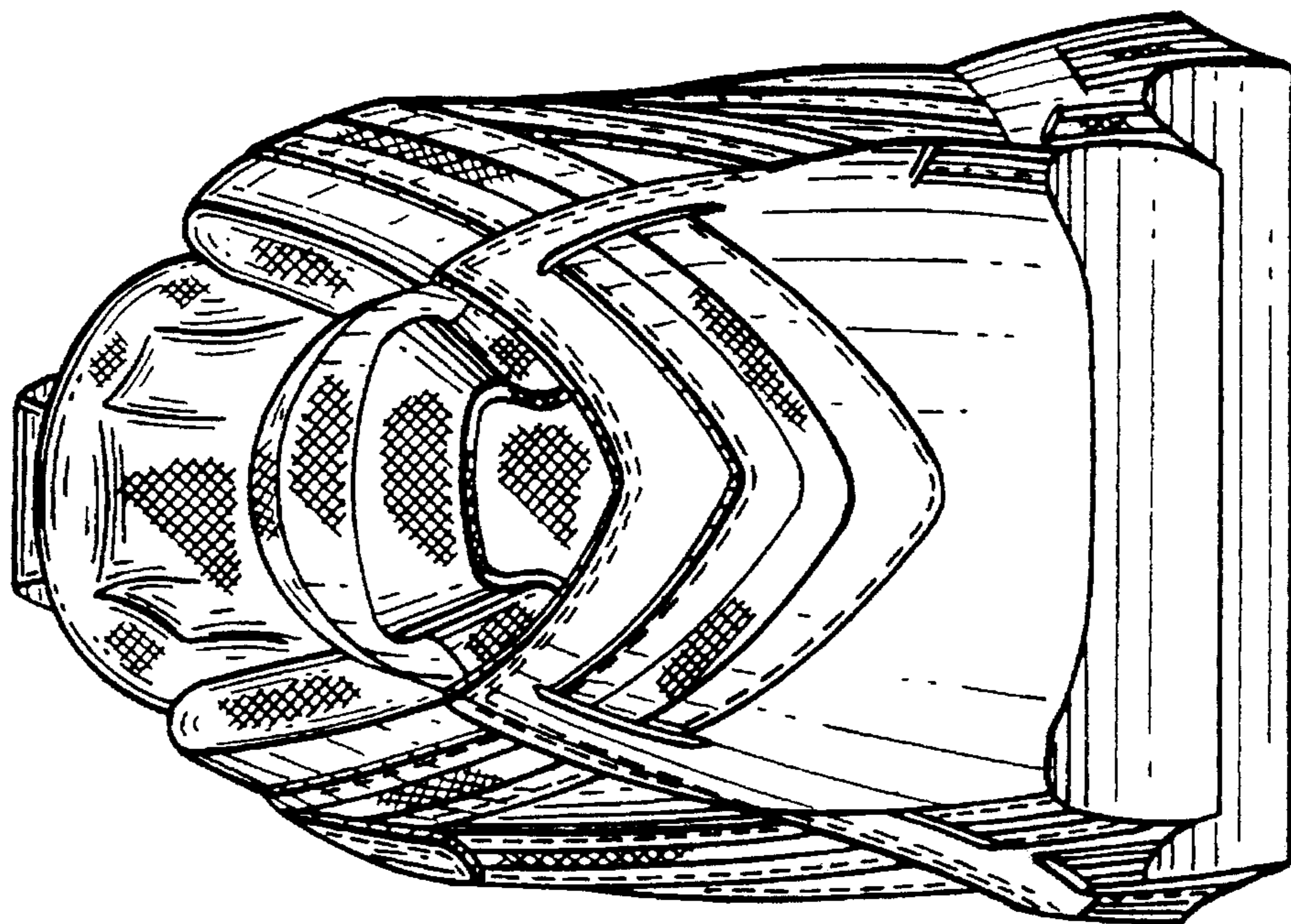


FIG. 10

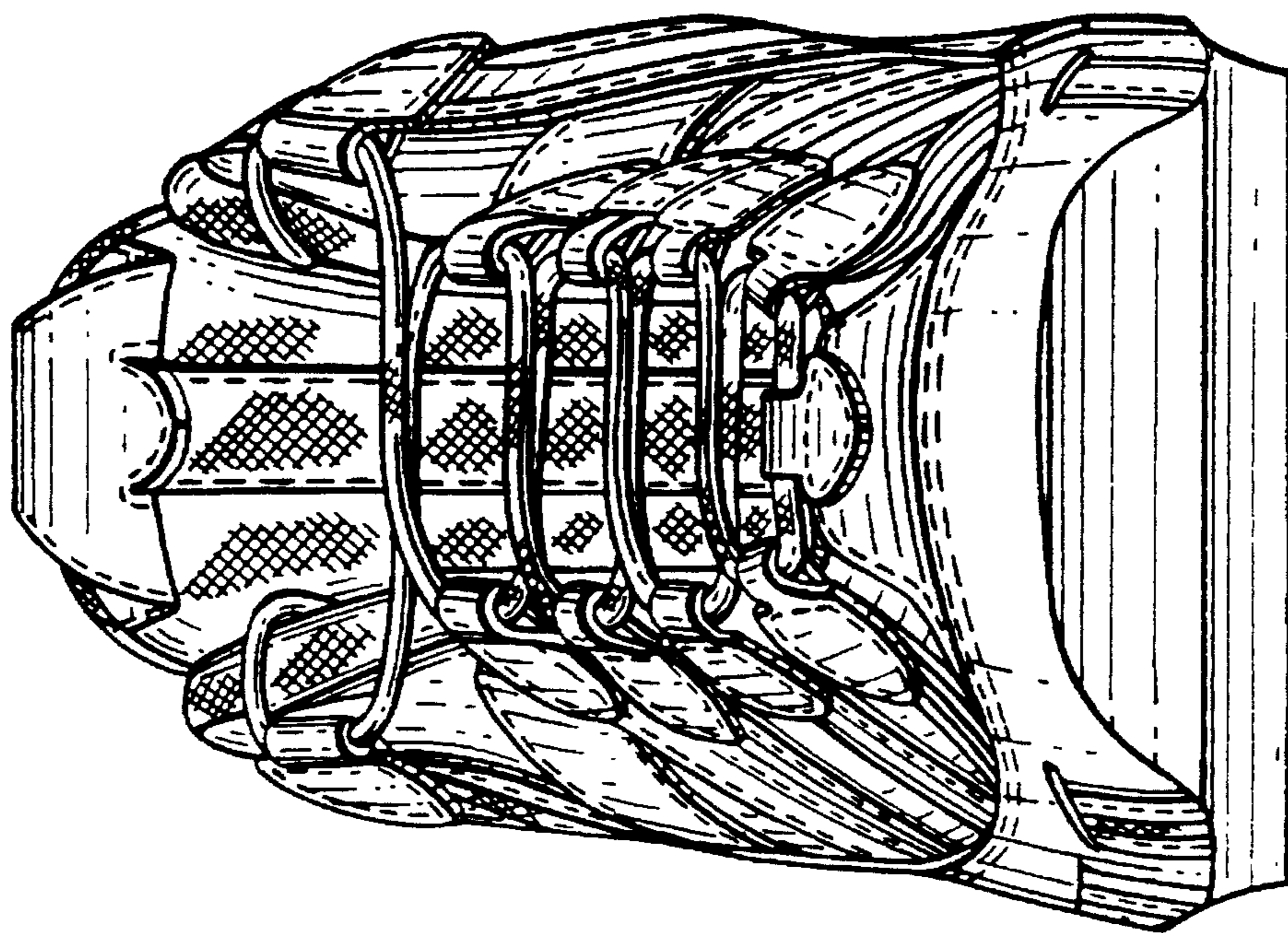


FIG. 12

