



US00D373454S

United States Patent [19]

[11] Patent Number: **Des. 373,454**

Ramirez

[45] Date of Patent: ****Sep. 10, 1996**

[54] **CAP STRAP COVER**

5,287,559 2/1994 Christiansen et al. .
5,315,714 5/1994 Peters et al. 2/209.13 X

[76] Inventor: **Richard D. Ramirez**, 7514 Evans Ford Rd., Clifton, Va. 22024

FOREIGN PATENT DOCUMENTS

[**] Term: **14 Years**

2949136 5/1981 Germany 297/482
444667 3/1936 United Kingdom .
1581996 12/1980 United Kingdom 297/482

[21] Appl. No.: **21,217**

Primary Examiner—Paula A. Mortimer
Attorney, Agent, or Firm—Dennis H. Lambert

[22] Filed: **Apr. 11, 1994**

[52] U.S. Cl. **D2/891**

[58] Field of Search D2/865, 894, 891, D2/639; 2/195.1, 195.2, 175.7, 206, 209.12, 209.13, 181.4, 181, 177; 297/482; D19/41; 40/329, 663; D12/128; 5/494, 628

[57] **CLAIM**

The ornamental design for a cap strap cover, as shown and described.

DESCRIPTION

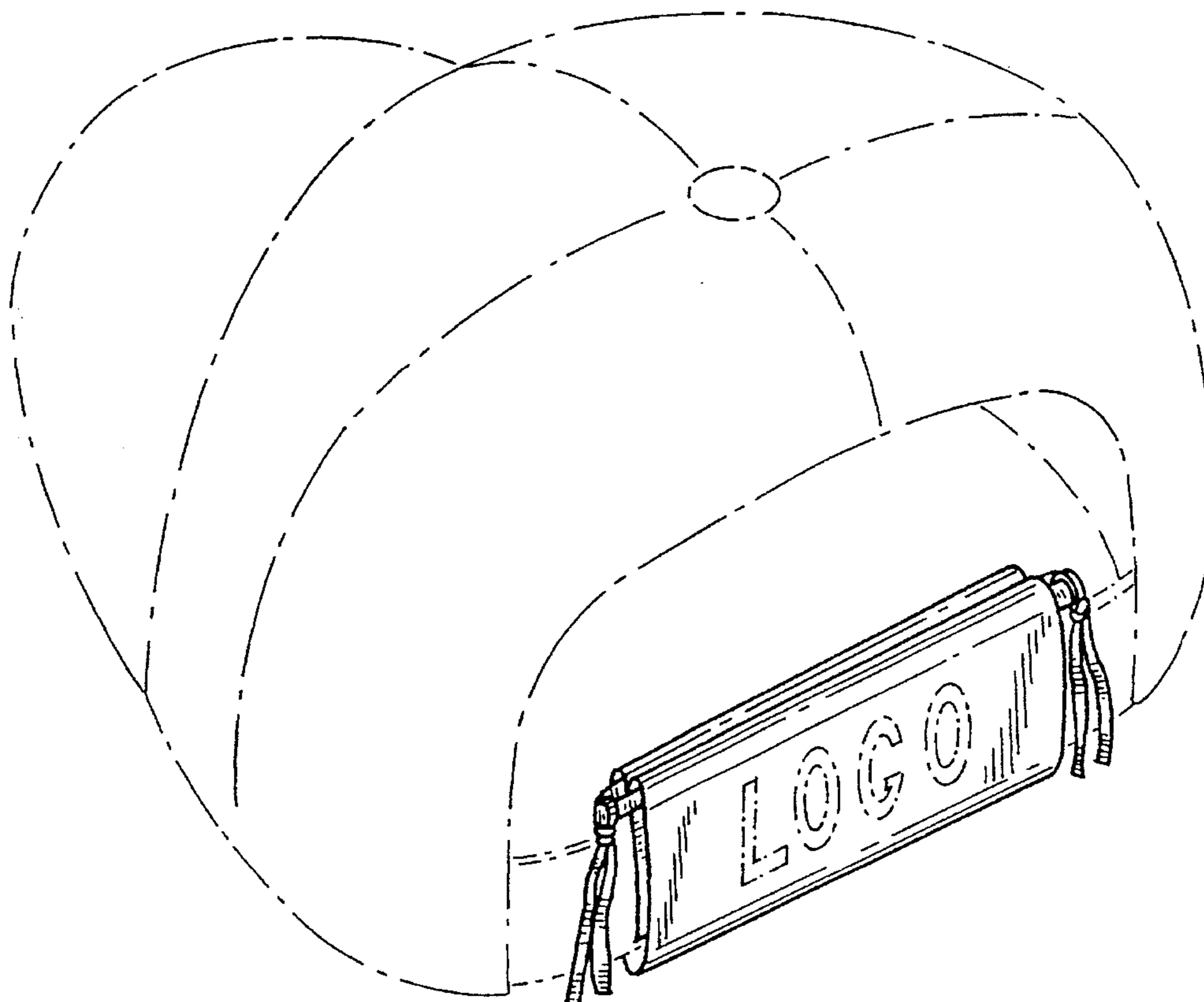
FIG. 1 is a front perspective view of a cap strap cover showing my new design, the broken line showing of the cap, the rear strap, and the word logo is for illustrative purposes only and forms no part of the claimed design; FIG. 2 is an exploded front perspective view thereof, with a portion of the cap strap shown in broken lines; FIG. 3 is a front elevational view thereof; FIG. 4 is a rear elevational view thereof; FIG. 5 is a top plan view thereof; FIG. 6 is a bottom plan view thereof; FIG. 7 is a left end view in elevation thereof, the end opposite being a substantial mirror image thereof; and, FIG. 8 is a profile view taken along line 8—8 of FIG. 3.

[56] **References Cited**

U.S. PATENT DOCUMENTS

D. 308,287	6/1990	Miller et al.	D2/639
D. 325,893	5/1992	Schuster	D12/128
1,294,595	2/1919	Allen .	
2,181,446	11/1939	Ames .	
2,643,380	6/1953	Blair	297/482
3,110,912	11/1963	Propst	5/628
3,280,406	10/1966	Immel .	
4,468,817	9/1984	Nunnery et al. .	
4,741,574	5/1988	Weightman et al.	297/482
4,872,218	10/1989	Holt .	
4,905,406	3/1990	Warner .	
5,003,640	4/1991	Pizzacar .	
5,161,259	11/1992	Shorts .	
5,282,278	2/1994	Miner .	

1 Claim, 3 Drawing Sheets



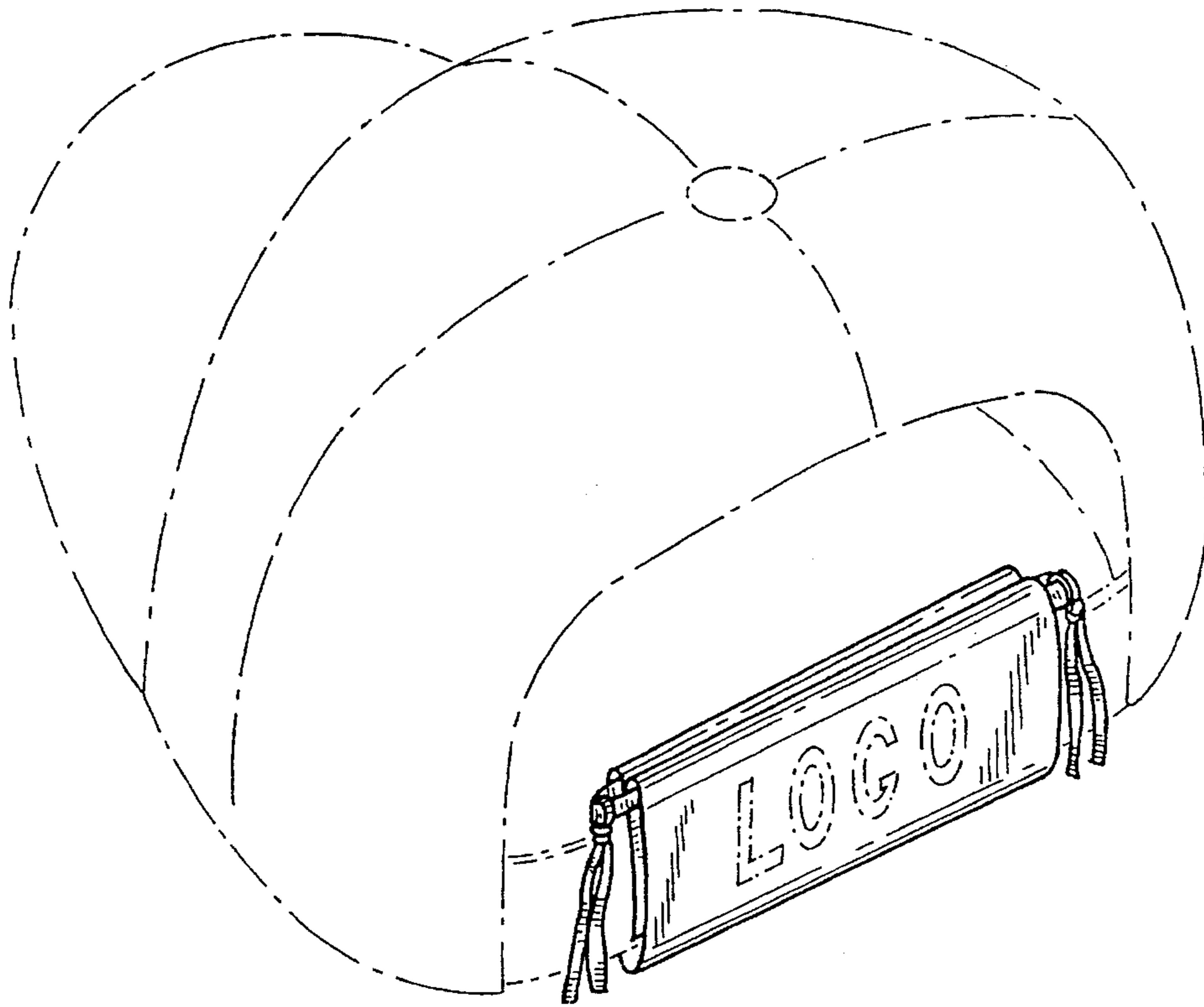


FIG. 1

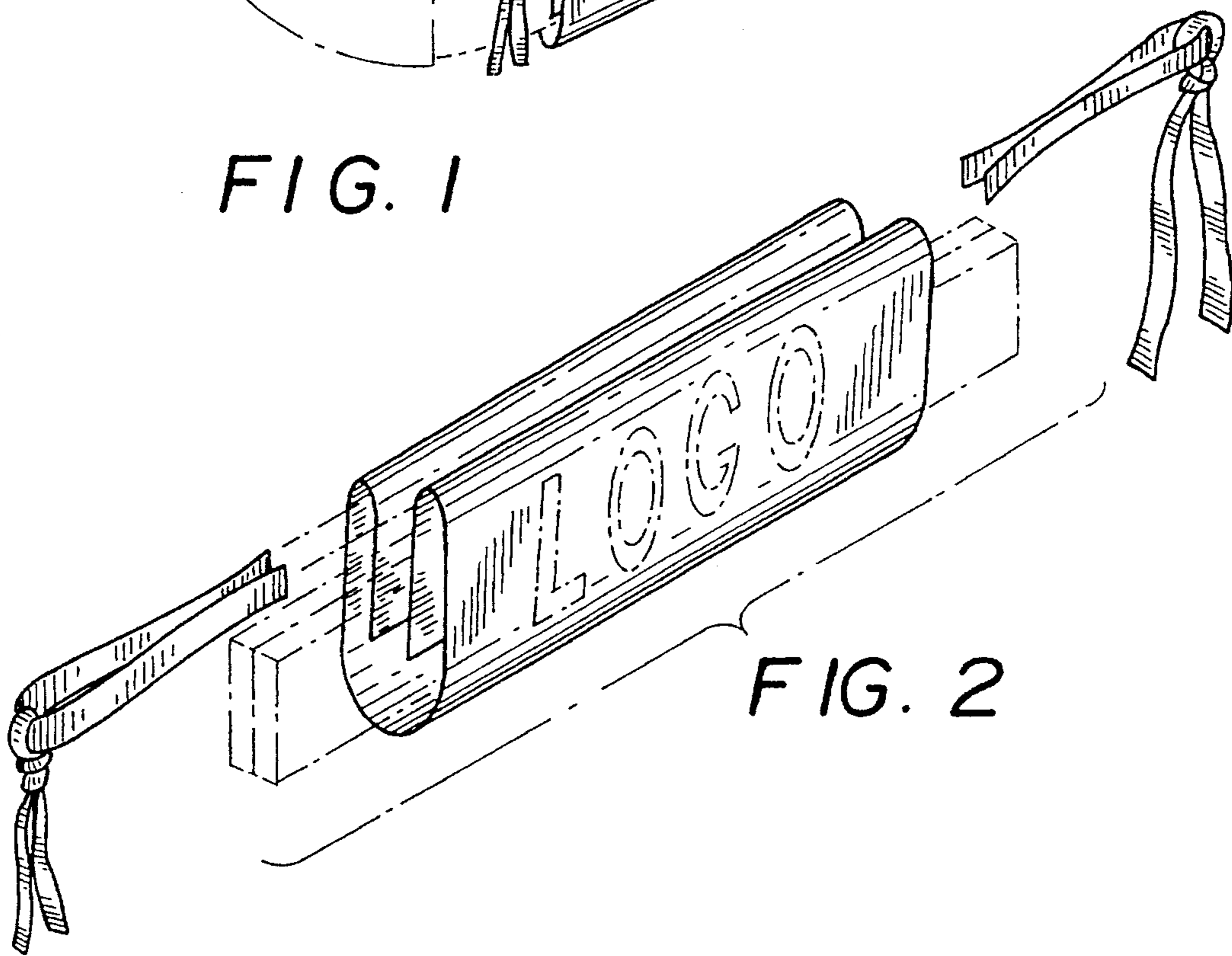
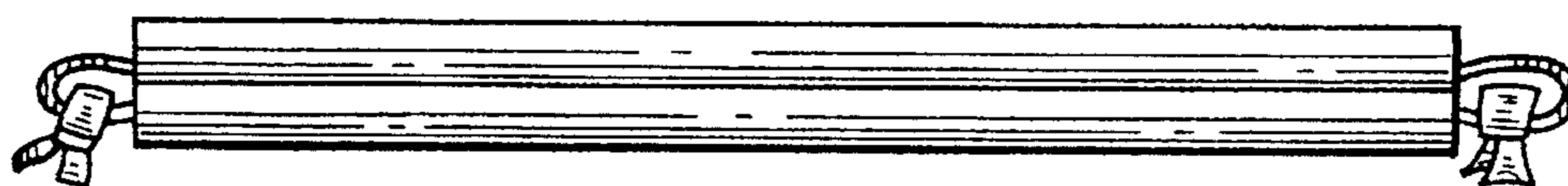
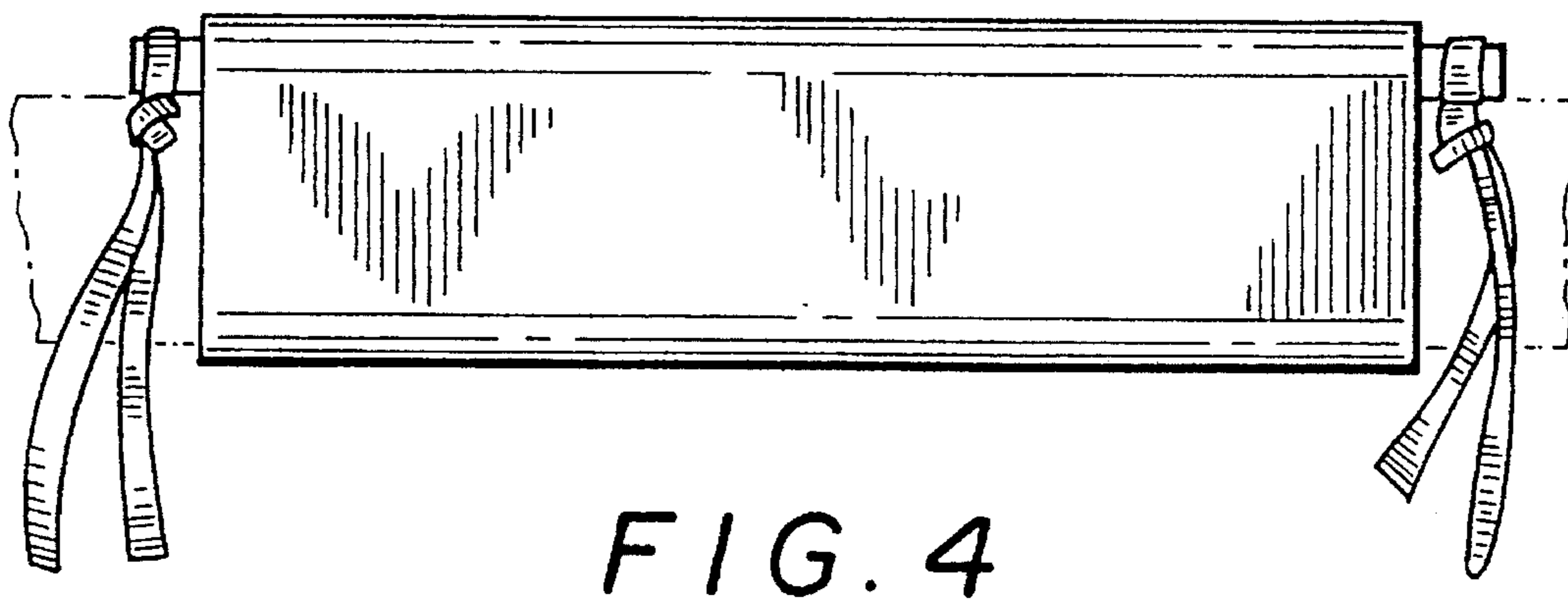
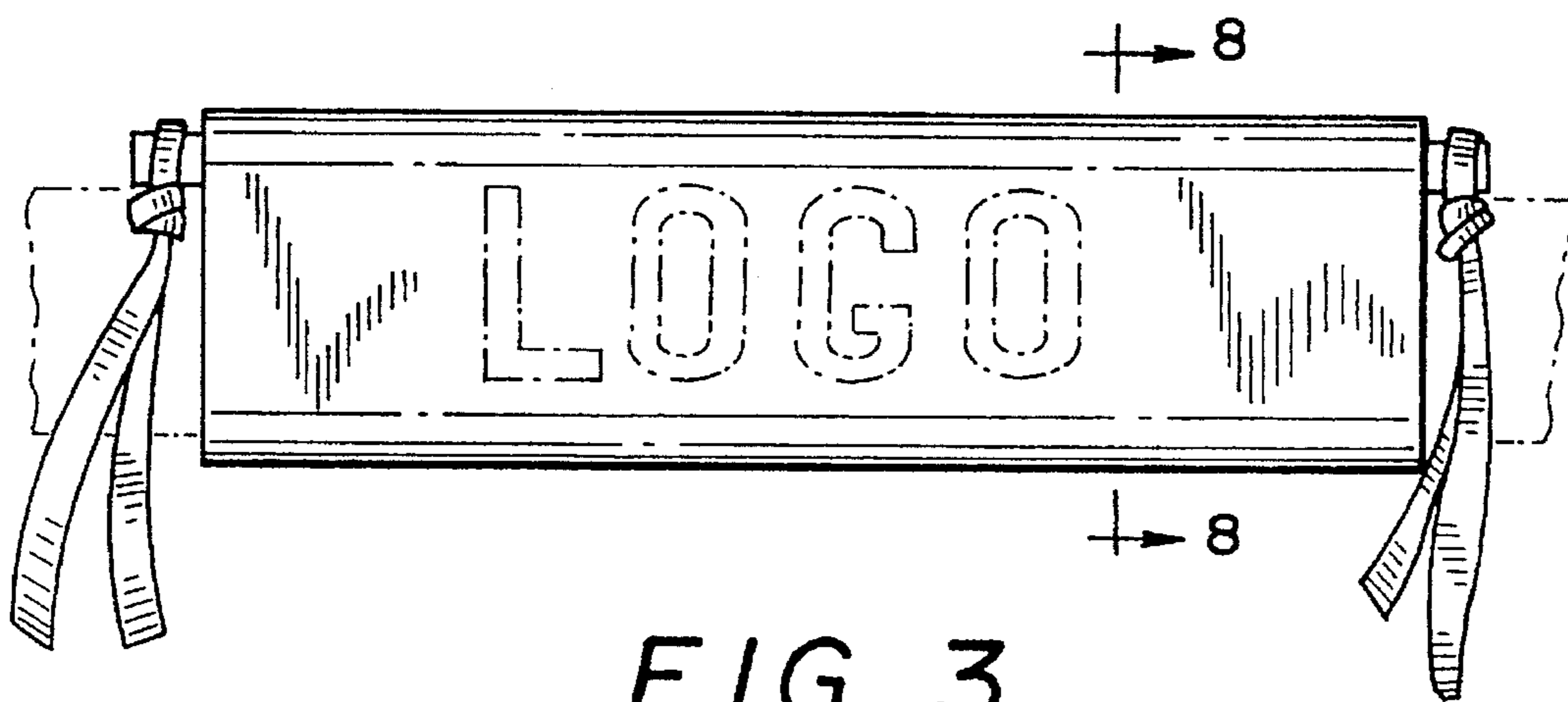


FIG. 2



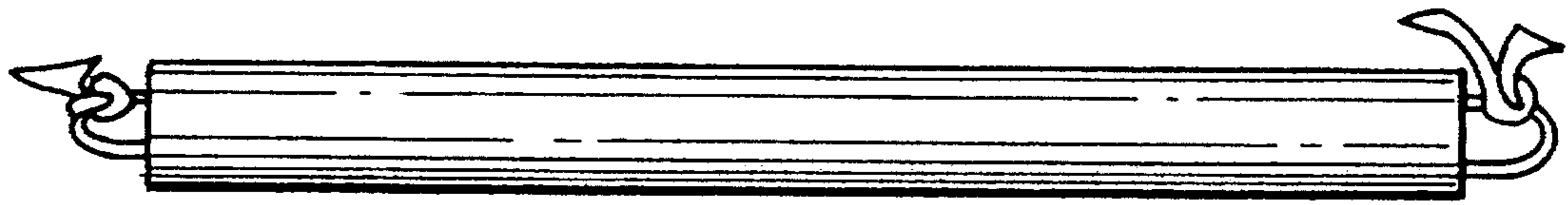


FIG. 6



FIG. 7



FIG. 8