



US00D373448S

United States Patent [19] Chen

[11] Patent Number: **Des. 373,448**

[45] Date of Patent: ****Sep. 3, 1996**

[54] **PET FEEDER**

[76] Inventor: **Yin-Tsang Chen**, No. 51, Lane 490,
Chung Cheng S. Rd., Yung Kang,
Tainan, Taiwan

[**] Term: **14 Years**

[21] Appl. No.: **38,954**

[22] Filed: **May 17, 1995**

[52] U.S. Cl. **D30/130; D7/555**

[58] Field of Search D30/121-122,
D30/129-130, 132-133; 119/61, 76, 54,
51.5, 51.03, 52.1, 51.12, 52.4; D7/553,
555

[56] **References Cited**

U.S. PATENT DOCUMENTS

D. 211,532	6/1968	Ashton	D7/553
D. 229,073	11/1973	Brickel	D30/130
D. 272,486	2/1984	Benedetti	D7/553
D. 299,771	2/1989	Kennedy	D7/555
D. 335,940	5/1993	McGrath et al.	D30/130
D. 336,217	6/1993	Picozza	D7/553
D. 336,555	6/1993	Gaetz	D7/553

D. 362,090	9/1995	Baldwin et al.	D7/555
2,185,907	1/1940	Alexander	D7/553
2,928,372	3/1960	Farley	D30/129
5,117,778	9/1992	Imamura	119/51.5

FOREIGN PATENT DOCUMENTS

2580458	10/1986	France	D30/133
---------	---------	--------	-------	---------

Primary Examiner—Cathy Anne MacCormac
Attorney, Agent, or Firm—Jones, Tullar & Cooper, P.C.

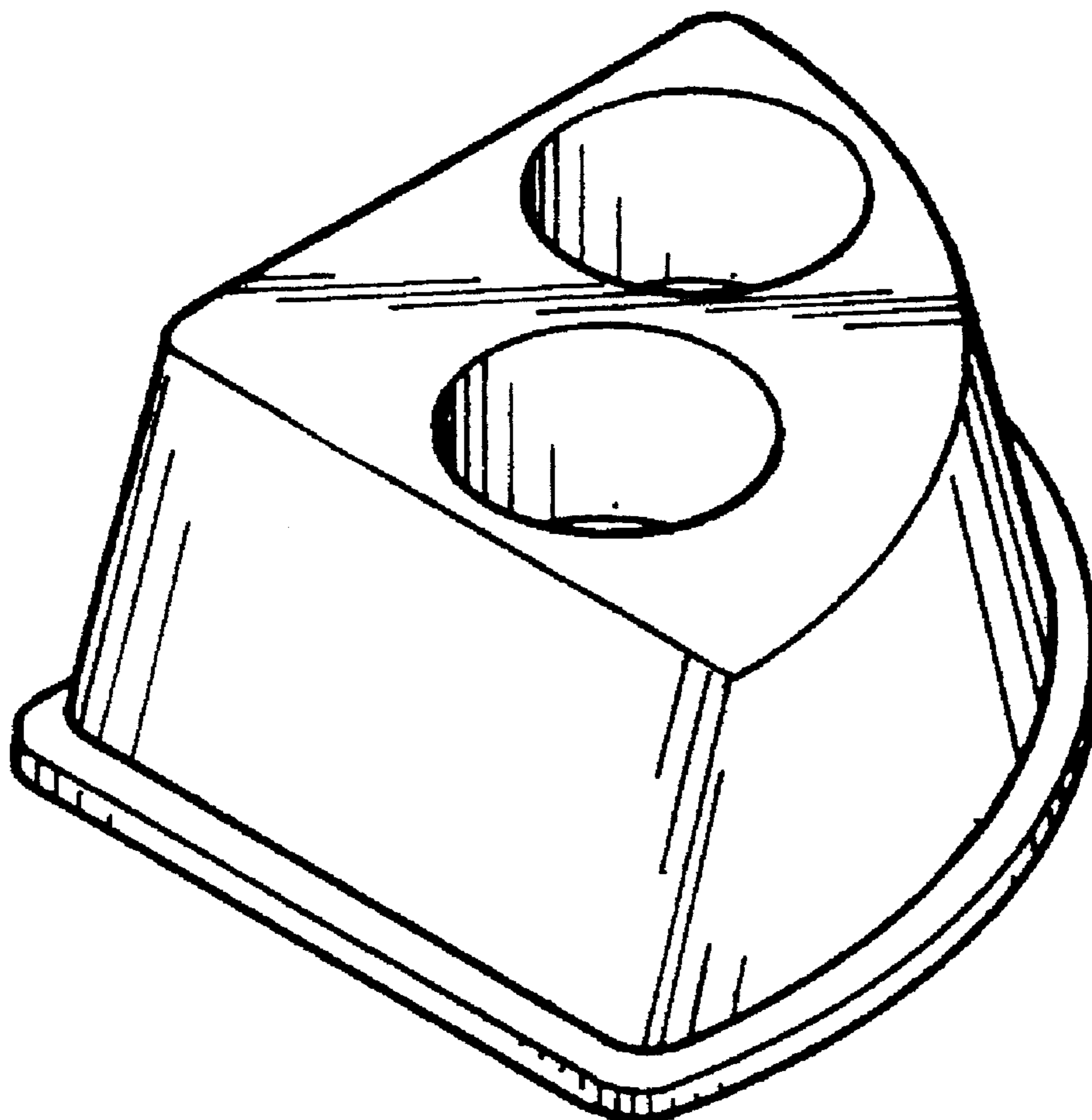
[57] CLAIM

The ornamental design for a pet feeder, as shown and described.

DESCRIPTION

FIG. 1 is a perspective view of a pet feeder showing my new design;
FIG. 2 is a front elevational view of the design;
FIG. 3 is a rear elevational view of the design;
FIG. 4 is a left side elevational view of the design;
FIG. 5 is a right side elevational view of the design;
FIG. 6 is a top plan view of the design; and,
FIG. 7 is a bottom plan view of the design.

1 Claim, 2 Drawing Sheets



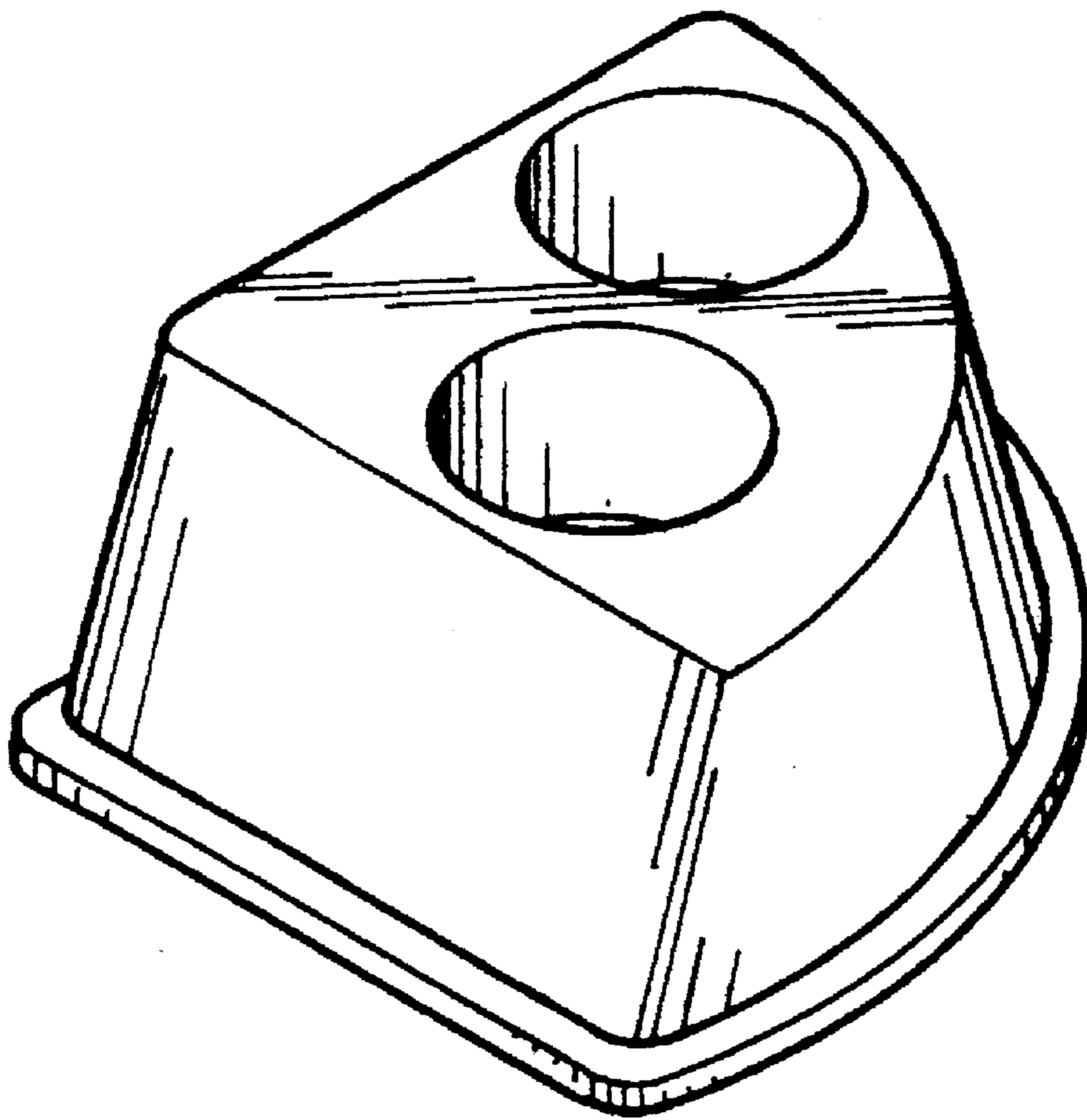


FIG. 1

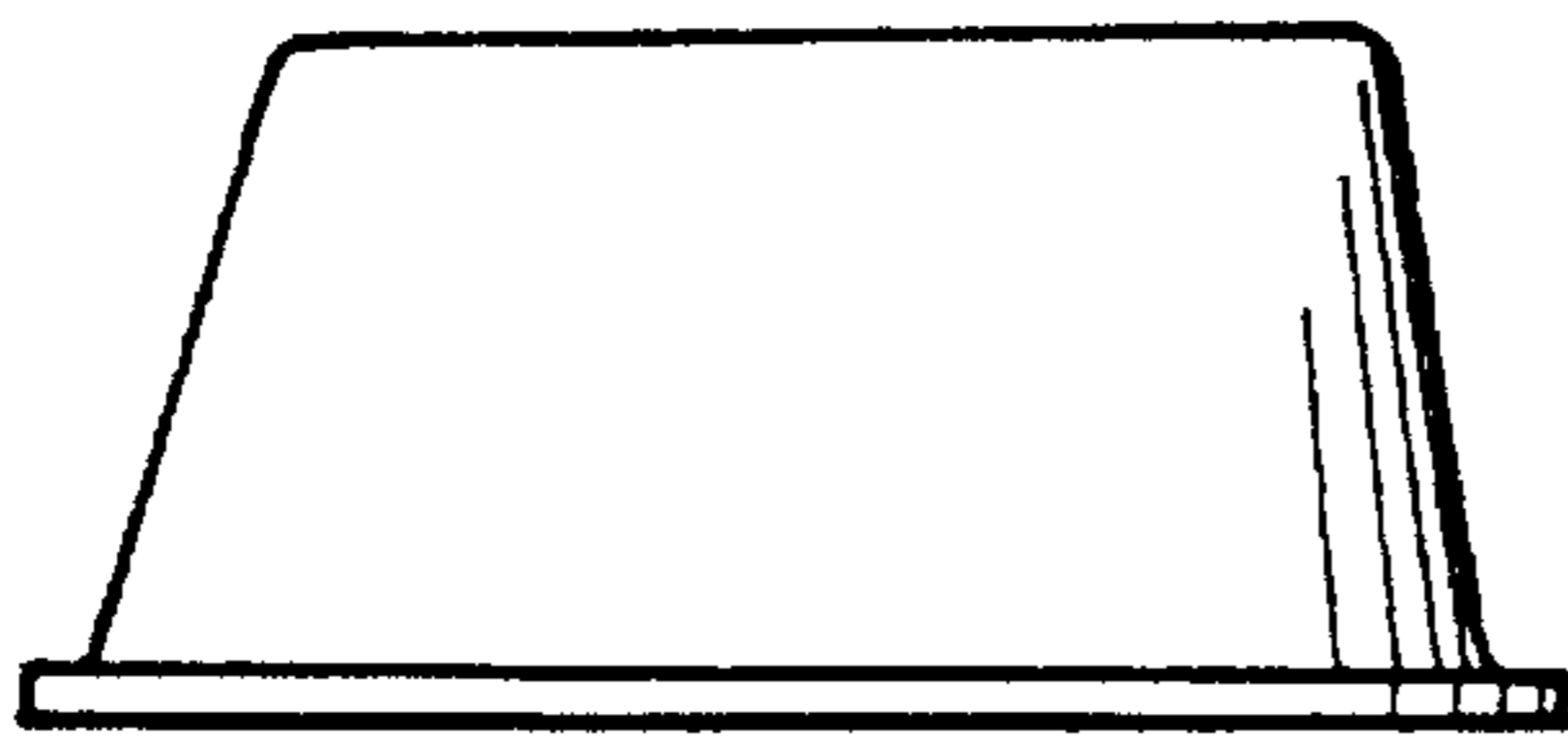


FIG. 2

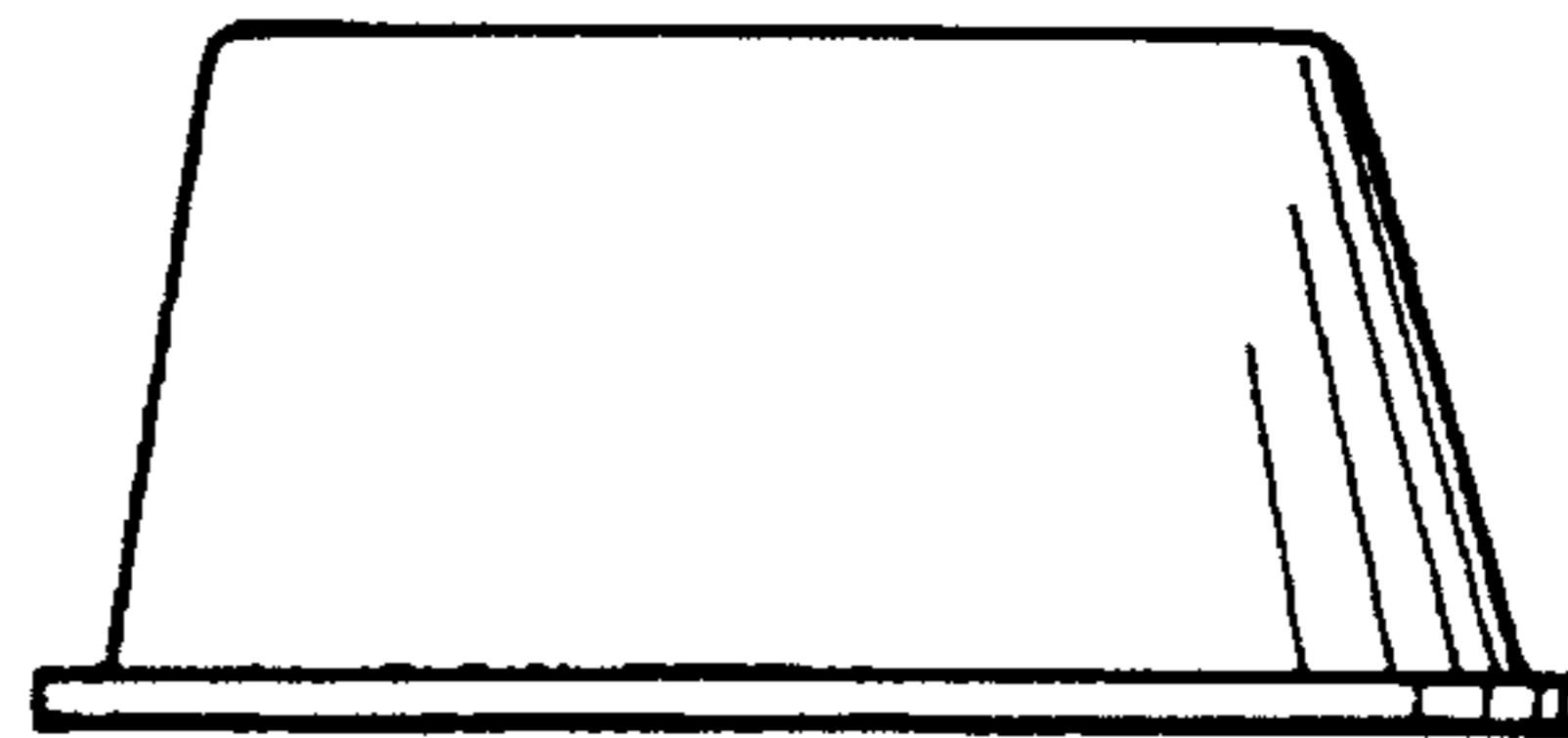


FIG. 3

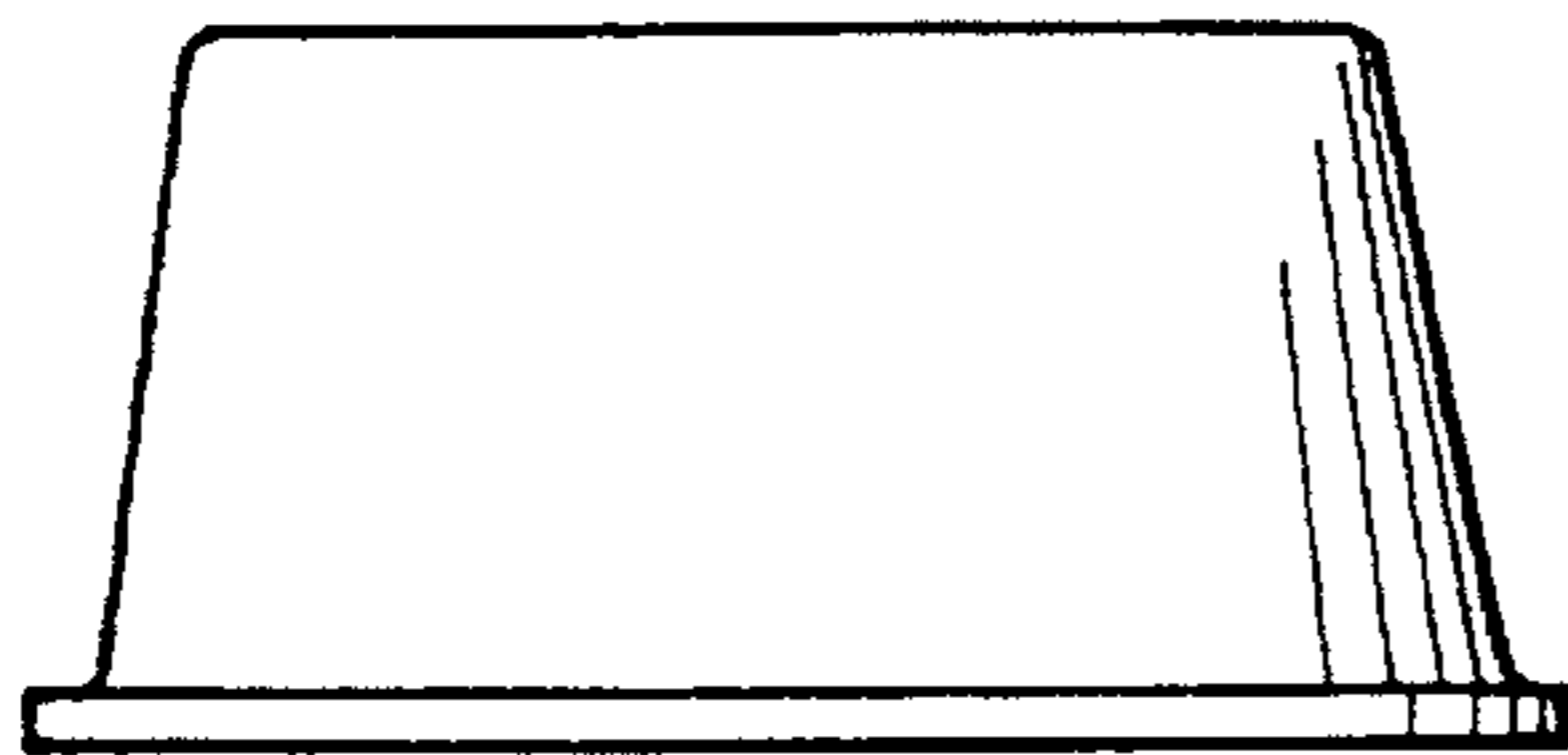


FIG. 4

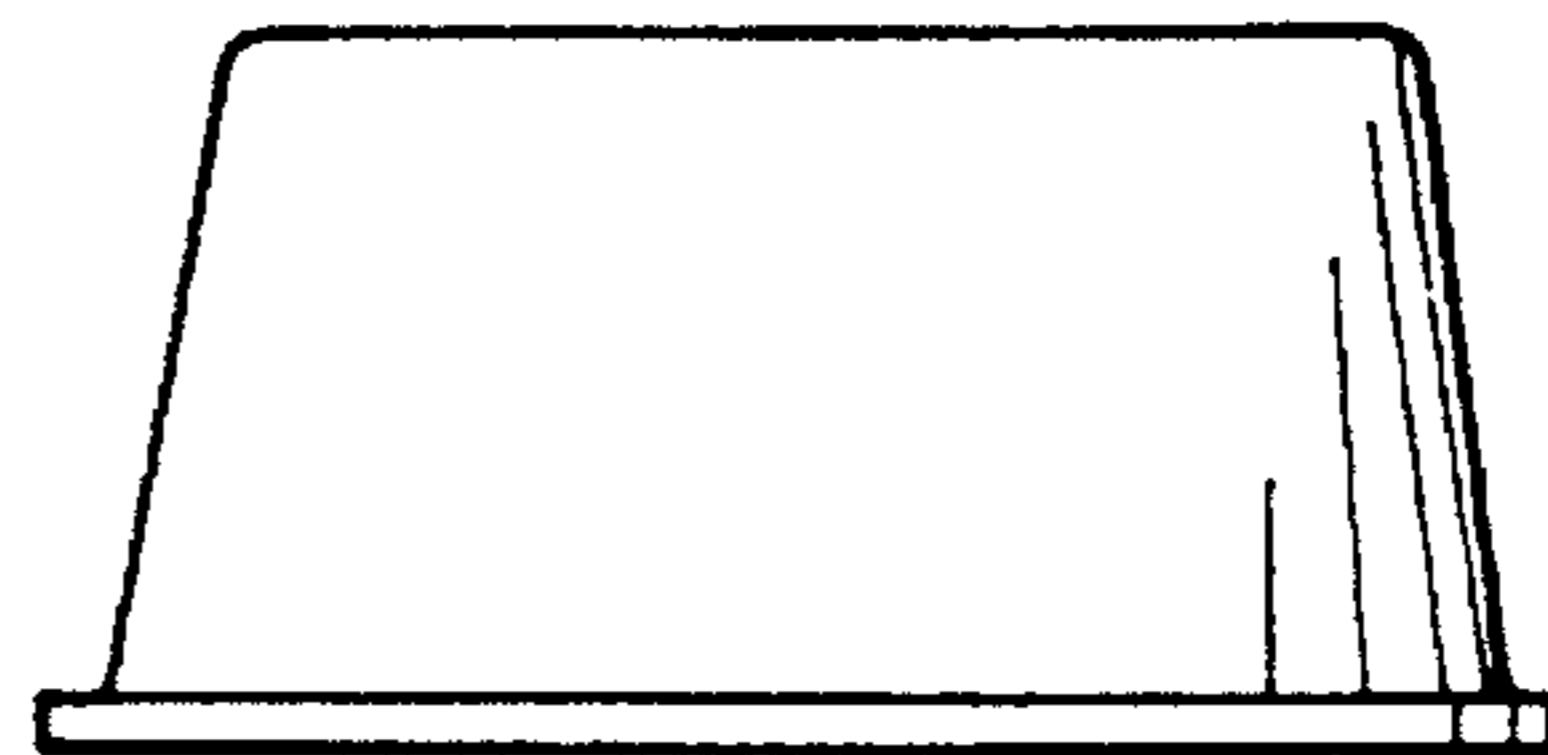


FIG. 5

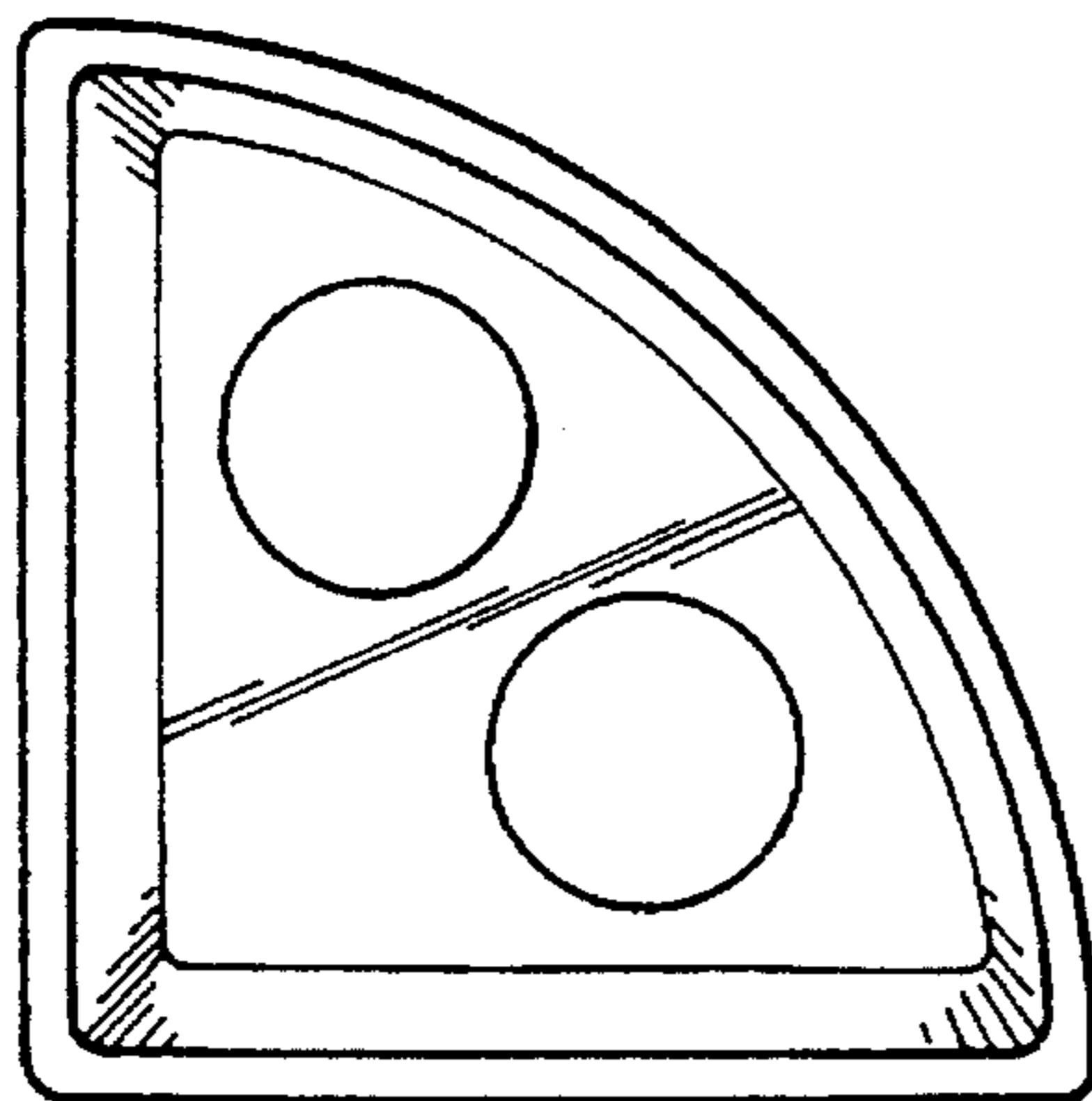


FIG. 6

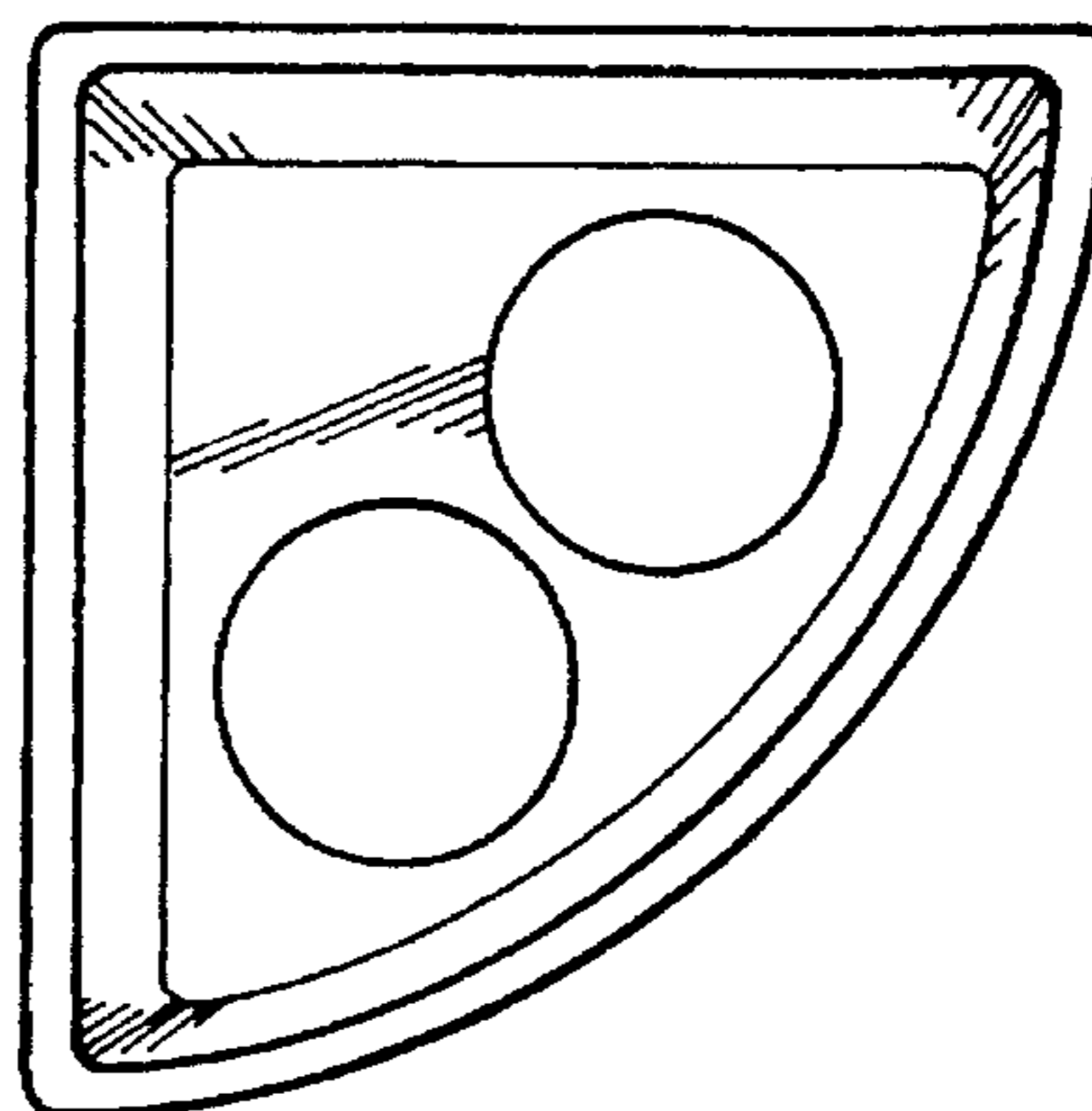


FIG. 7