



US00D373446S

United States Patent [19]

Kim et al.

[11] Patent Number: **Des. 373,446**

[45] Date of Patent: ****Sep. 3, 1996**

[54] **HANDCUFF**

[75] Inventors: **Gee-Sook Kim**, Yoksam Lucky
Apartment 102-807, 963 Dogok-Dong,
Kangnam-Ku, Seoul; **Jung-Soo Kwan**,
Gyosoo Apartment 3- 504, 492 - 197
Shindaebang-Dong, Dongjak-Ku, Seoul;
Jong-Won Lee, Inchon, all of Rep. of
Korea

[73] Assignees: **Gee-Sook Kim; Jung-Soo Kwan**,
Seoul, Rep. of Korea

[**] Term: **14 Years**

[21] Appl. No.: **27,565**

[22] Filed: **Aug. 29, 1994**

[30] Foreign Application Priority Data

Mar. 24, 1994 [KR] Rep. of Korea 94-5749

[52] U.S. Cl. **D29/100**

[58] Field of Search D29/100, 113,
D29/120; 2/16-17, 2, 338; 70/14, 16, 18;
128/876, 878-879, 882; 54/34; 119/769-770,
795, 797-798; 297/468; D30/151, 153-154;
D2/627, 639; D8/394, 396; 24/16 PB, 484

[56] References Cited

U.S. PATENT DOCUMENTS

4,697,441 10/1987 Allen 70/16

4,840,048	6/1989	Elam	70/16
5,007,257	4/1991	Thompson	70/16
5,205,142	4/1993	Kniger et al.	70/16
5,233,848	8/1993	Elam	70/16

FOREIGN PATENT DOCUMENTS

46-373	4/1971	Japan .
55-1381	8/1980	Japan .
58-1139	7/1983	Japan .
60-2246	10/1985	Japan .
63-3704	10/1988	Japan .
5-204	1/1993	Japan .

Primary Examiner—Ruth McInroy
Attorney, Agent, or Firm—Birch, Stewart, Kolasch & Birch,
LLP

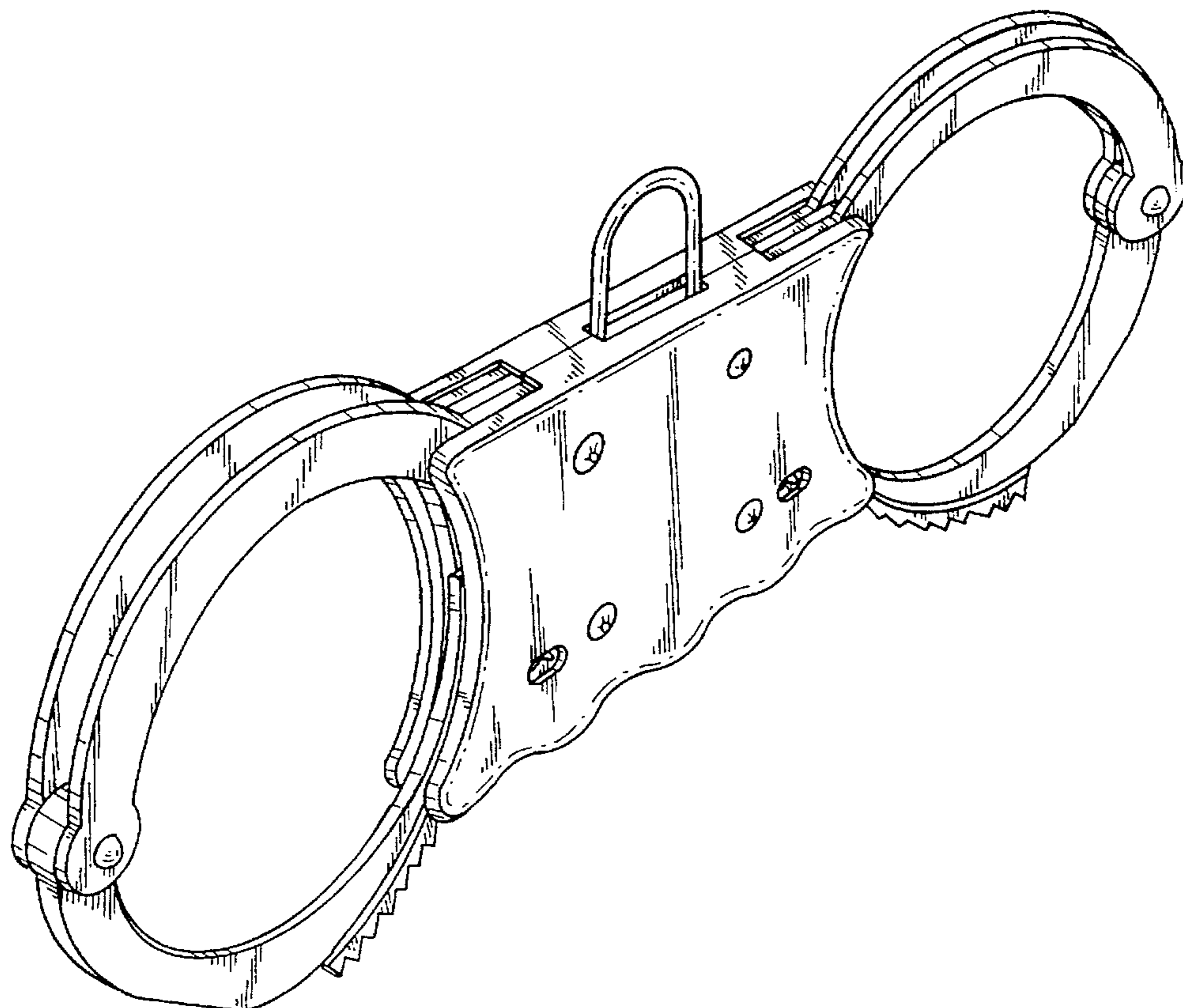
[57] CLAIM

The ornamental design for a handcuff, as shown and described.

DESCRIPTION

FIG. 1 is a perspective view of a handcuff showing our new design;
FIG. 2 is a front elevational view thereof;
FIG. 3 is a rear elevational view thereof;
FIG. 4 is an elevational view looking from the right of FIG. 1, the opposite side being a mirror image thereof;
FIG. 5 is a bottom plan view thereof; and,
FIG. 6 is a top plan view thereof.

1 Claim, 2 Drawing Sheets



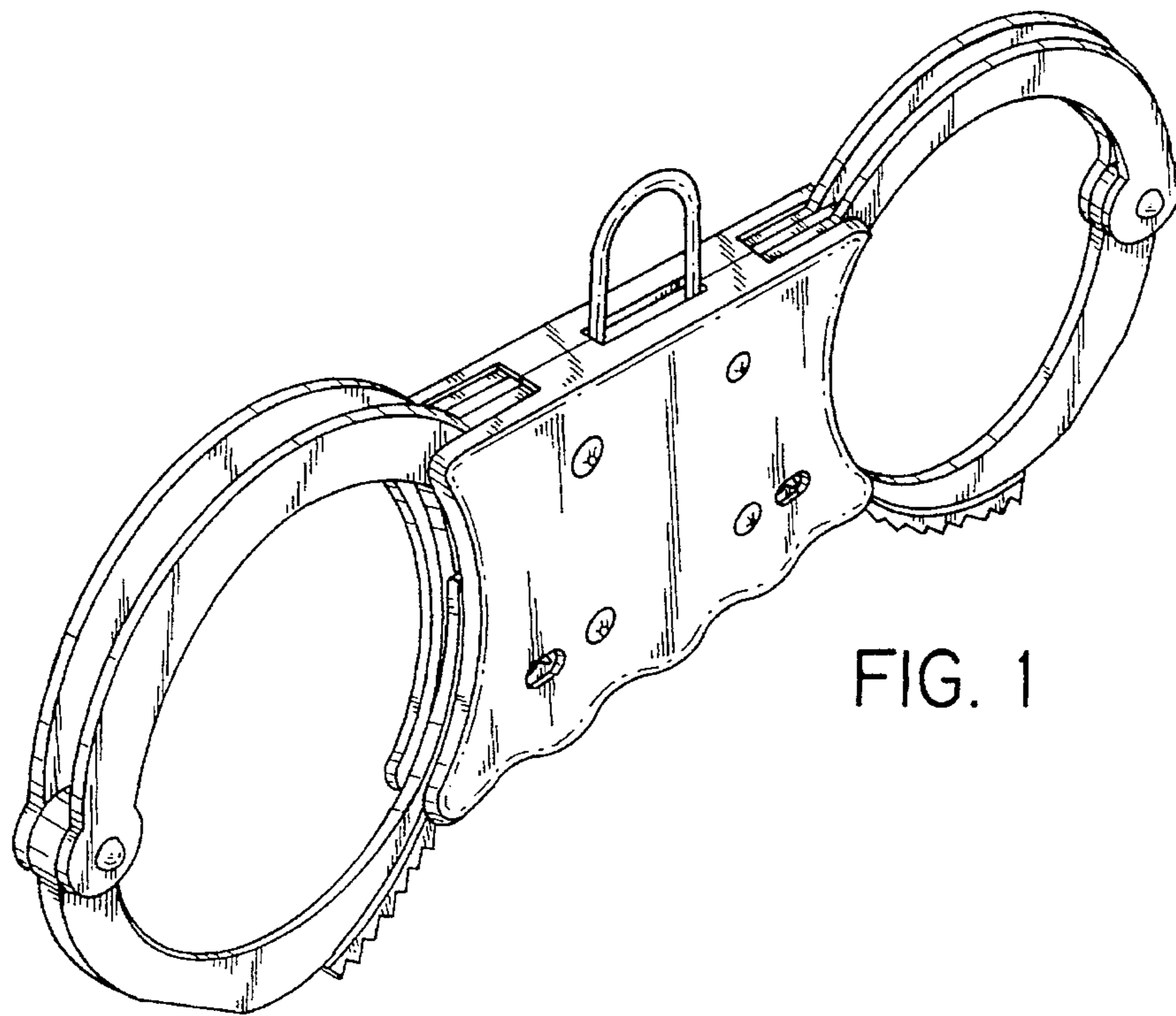


FIG. 1

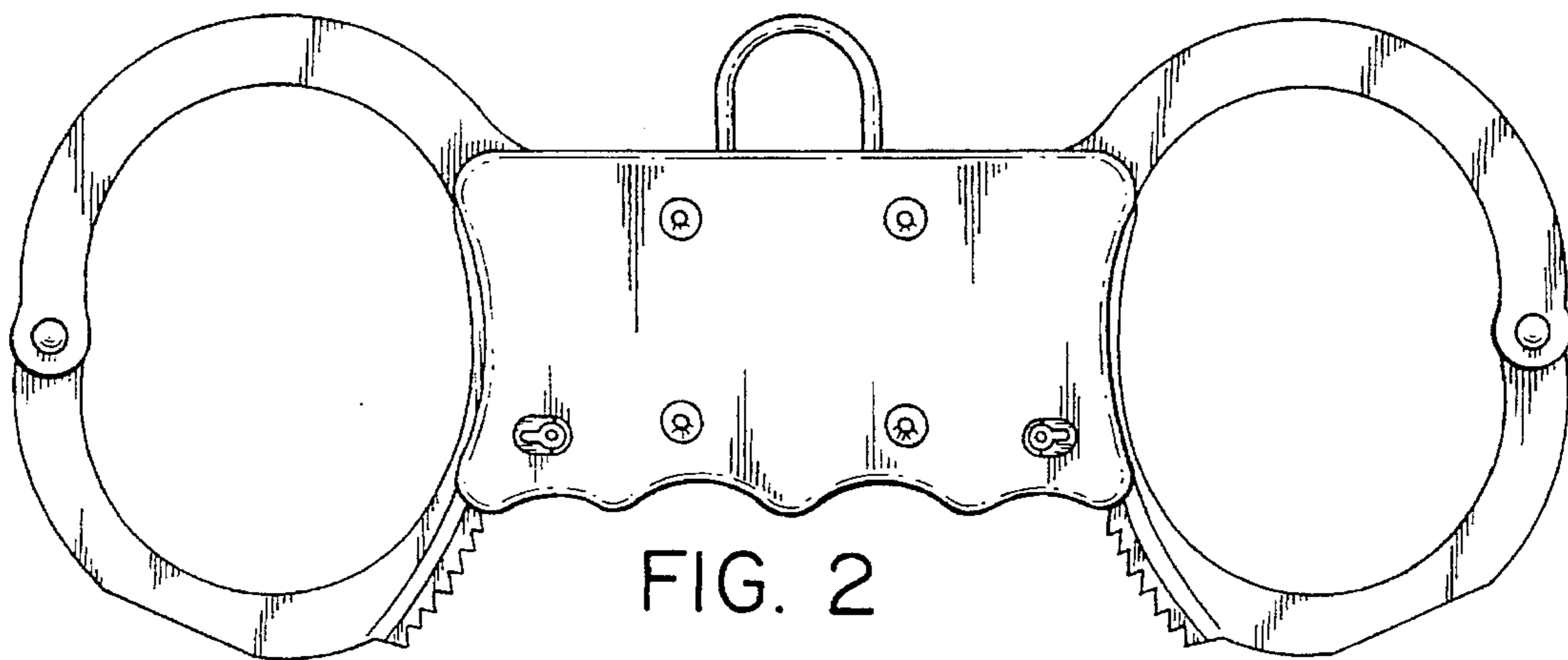


FIG. 2

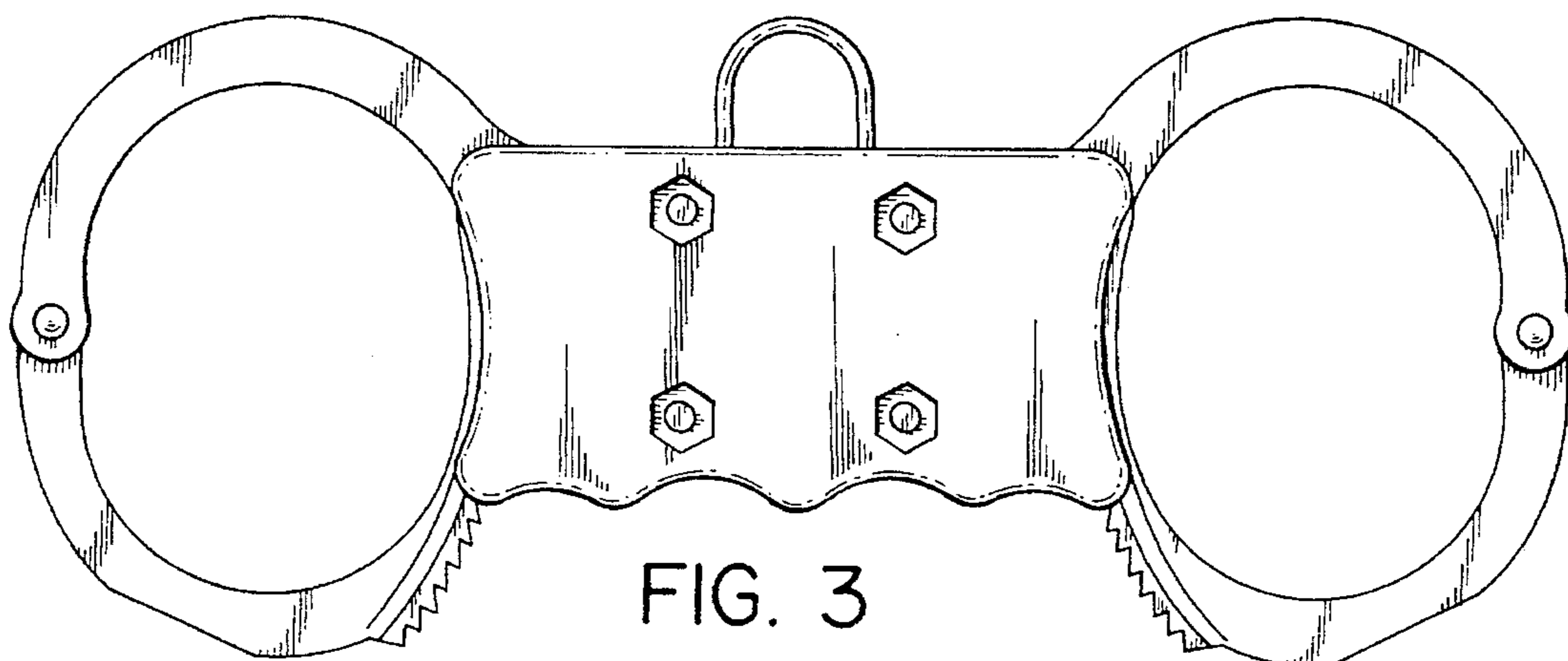


FIG. 3

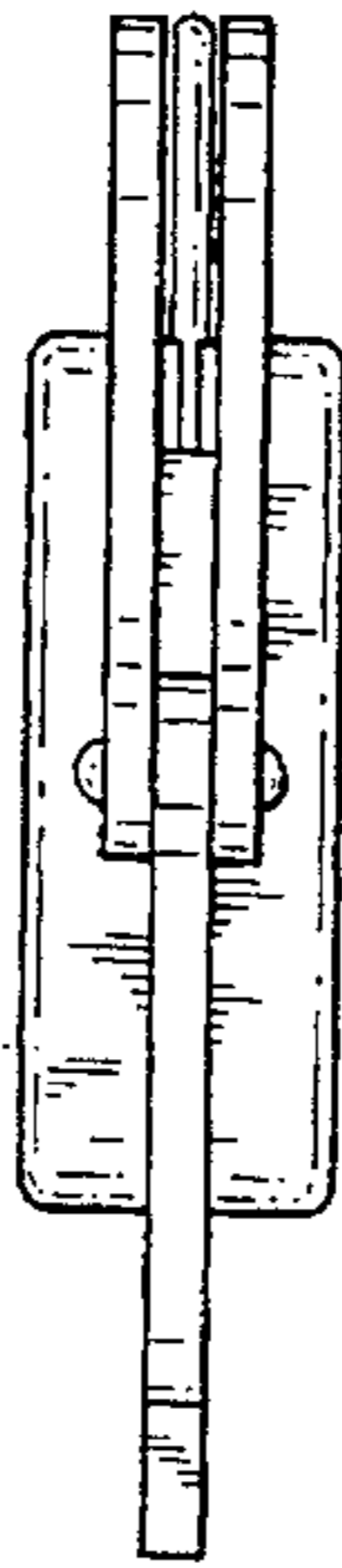


FIG. 4

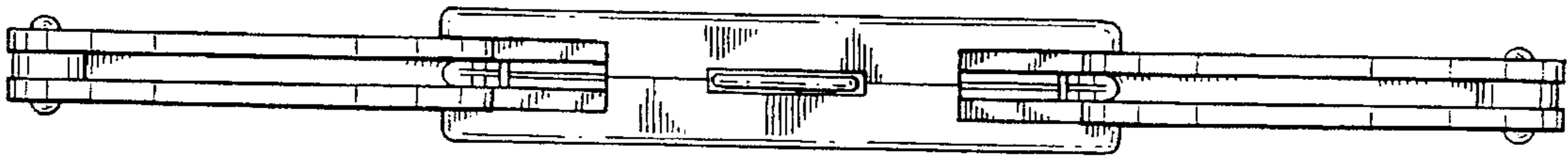


FIG. 5

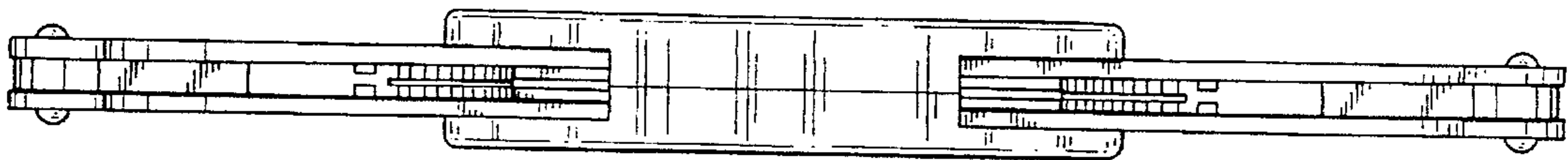


FIG. 6