



US00D373437S

United States Patent [19]

[11] Patent Number: **Des. 373,437**

Kira

[45] Date of Patent: ****Sep. 3, 1996**

[54] **OUTDOOR LIGHTING FIXTURE INCLUDING PIVOTABLE SUPPORT**

Primary Examiner—Susan J. Lucas
Attorney, Agent, or Firm—Wagner & Middlebrook

[75] Inventor: **Hiroshi Kira**, Westlake Village, Calif.

[57] **CLAIM**

[73] Assignee: **Lumiere Design & Manufacturing, Inc.**, Westlake Village, Calif.

The ornamental design for an outdoor lighting fixture including pivotable support, as shown and described.

[**] Term: **14 Years**

DESCRIPTION

[21] Appl. No.: **45,912**

FIG. 1 is a top perspective view of an outdoor lighting fixture including pivotable support showing my new design;

[22] Filed: **Nov. 2, 1995**

[52] U.S. Cl. **D26/63**; D26/67

FIG. 2 is a front elevation view;

[58] Field of Search D26/67, 68, 61, D26/63, 65; 362/153, 153.1, 269, 275, 418, 419, 421, 427

FIG. 3 is a rear elevational view;

FIG. 4 is a bottom plan view;

[56] **References Cited**

FIG. 5 is a left side elevational view;

U.S. PATENT DOCUMENTS

FIG. 6 is a right side elevational view; and,

D. 204,791 5/1966 Schwartz D26/63
D. 333,529 2/1993 Denison et al. D26/68

FIG. 7 is a top plan view.

OTHER PUBLICATIONS

The supporting plate is shown in broken lines for illustrative purposes only and forms no part of the claimed design.

Intermatic Professional Landscape Lighting Catalog, ©1992, p. 8, Floodlight, bottom right in photograph.
Lumière Design & Mfg., Inc. Lighting Catalog, Accent Light #203.

1 Claim, 2 Drawing Sheets

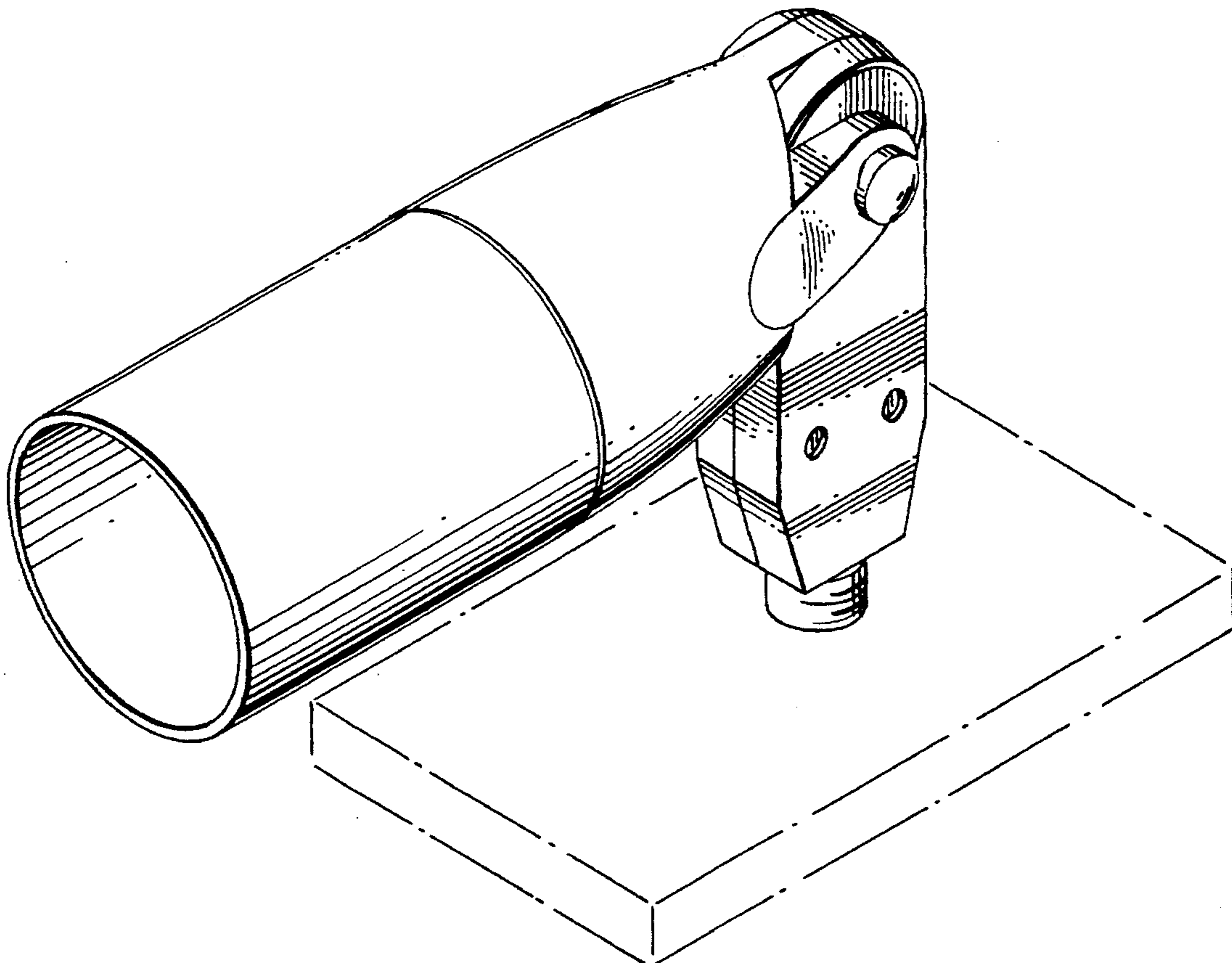


FIG. 1

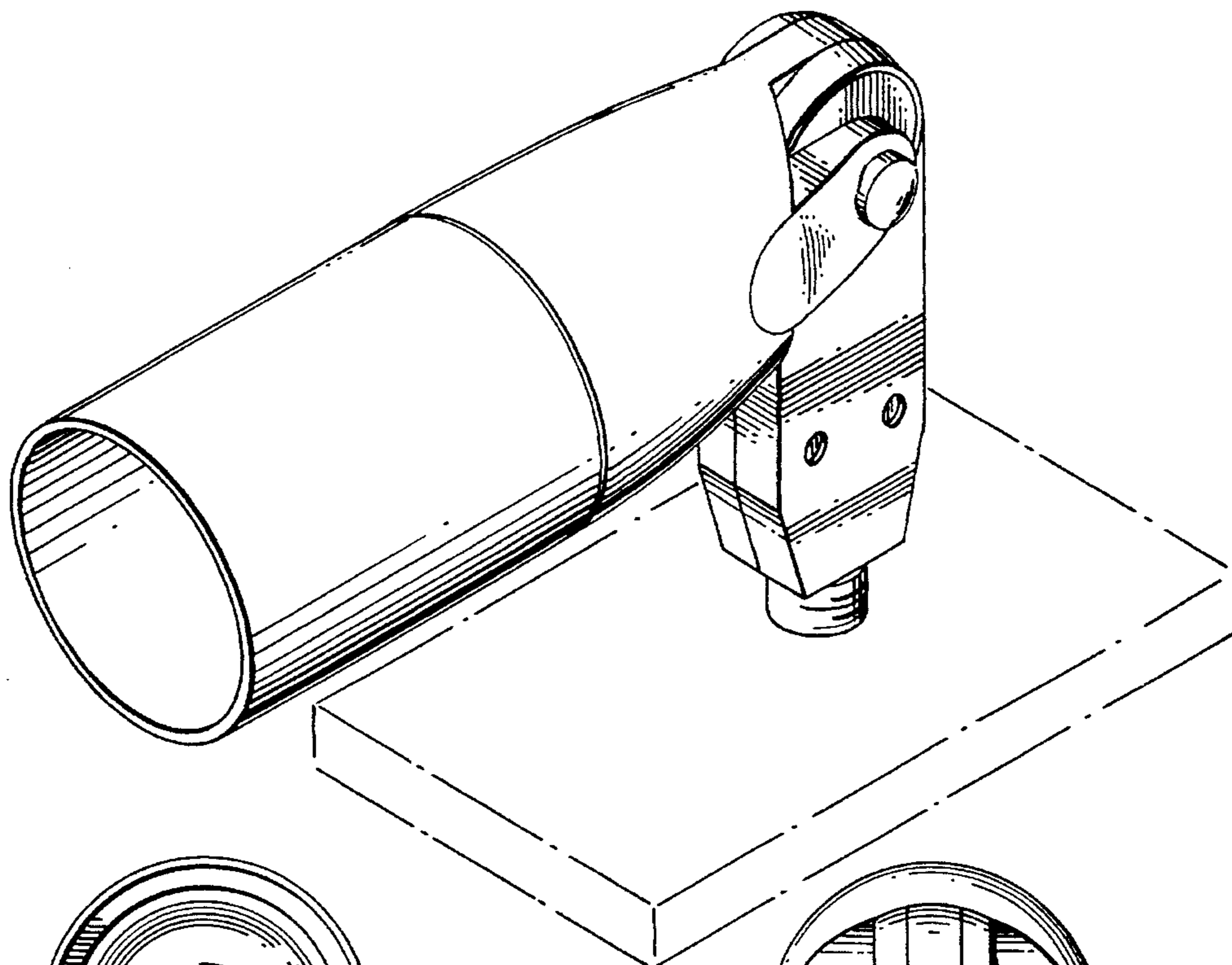


FIG. 2

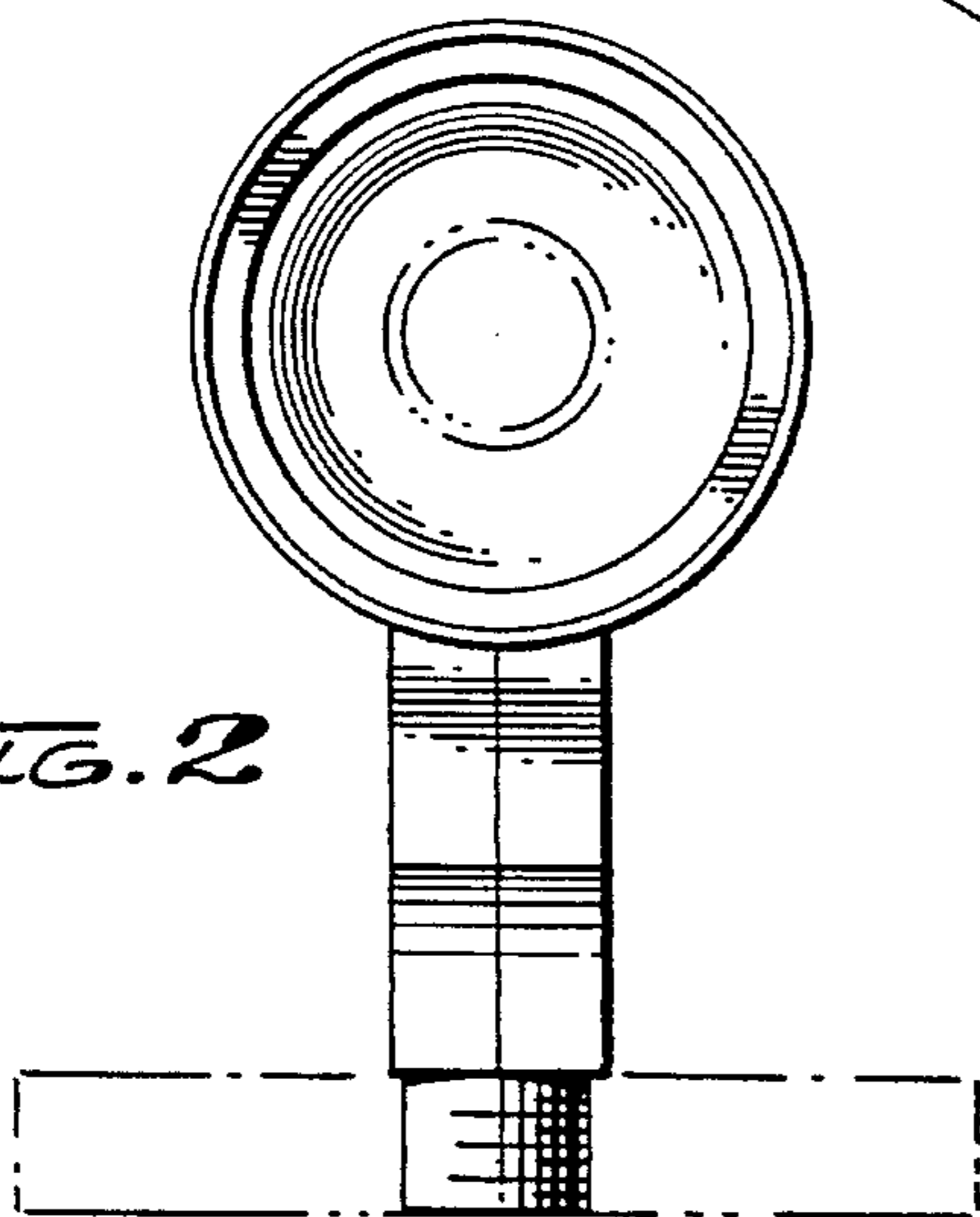


FIG. 3

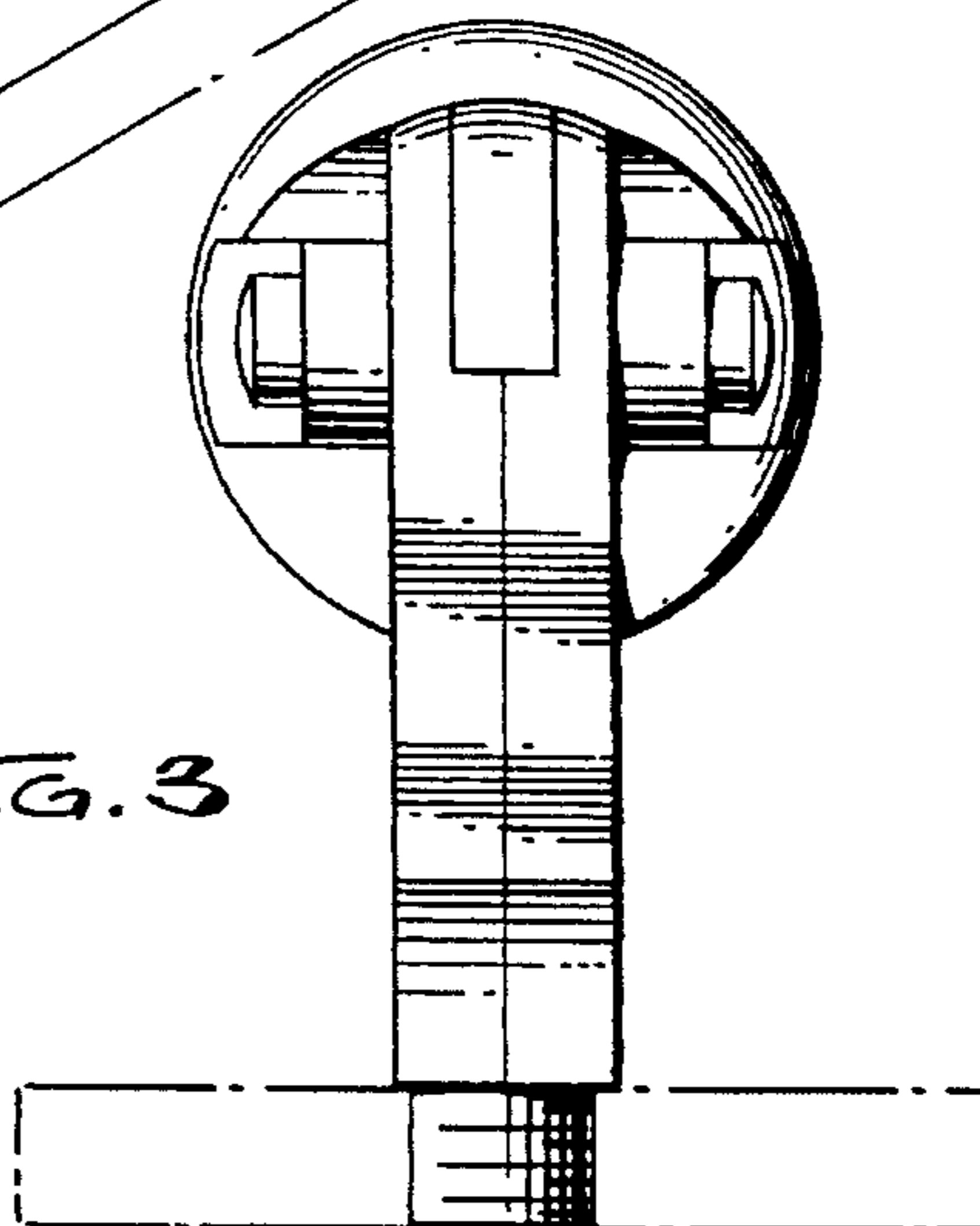


FIG. 4

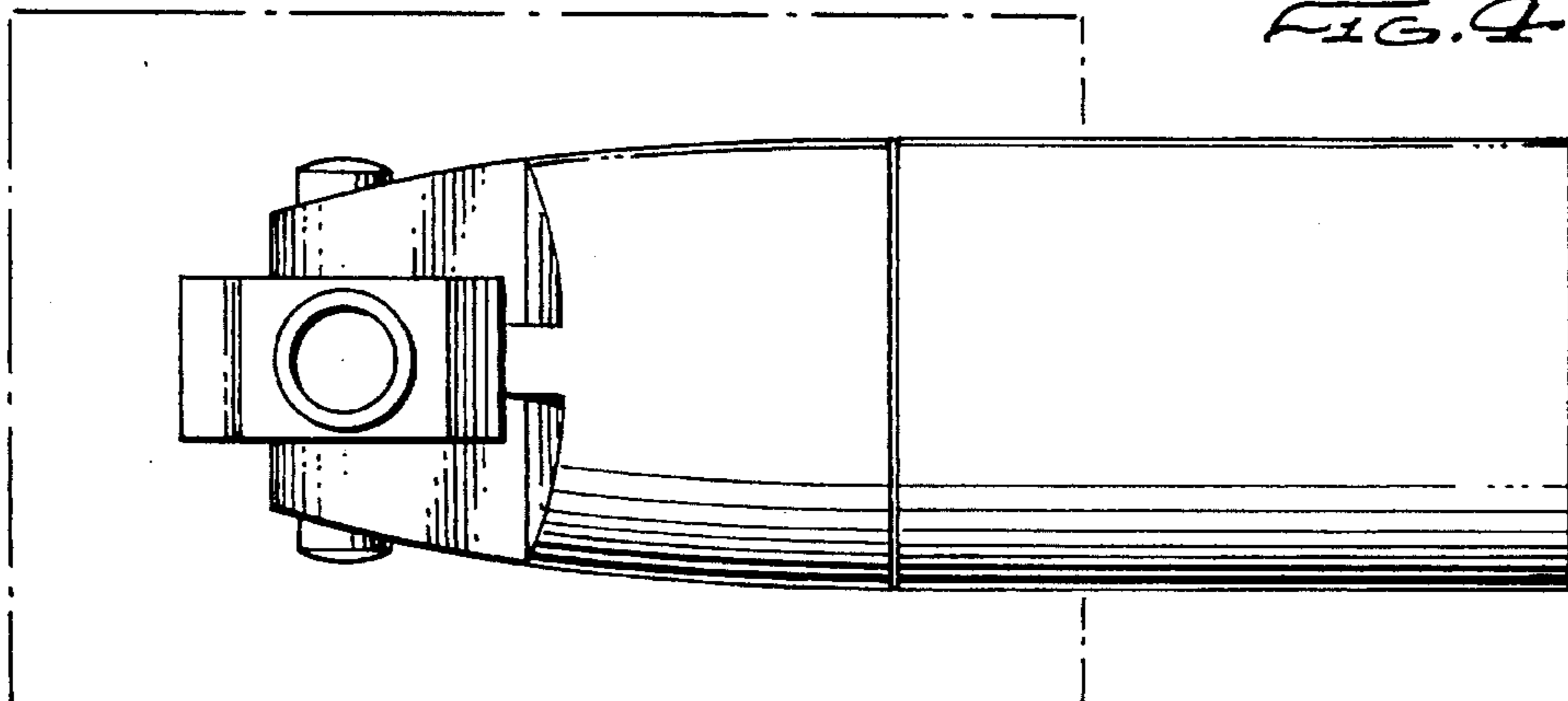


FIG. 5

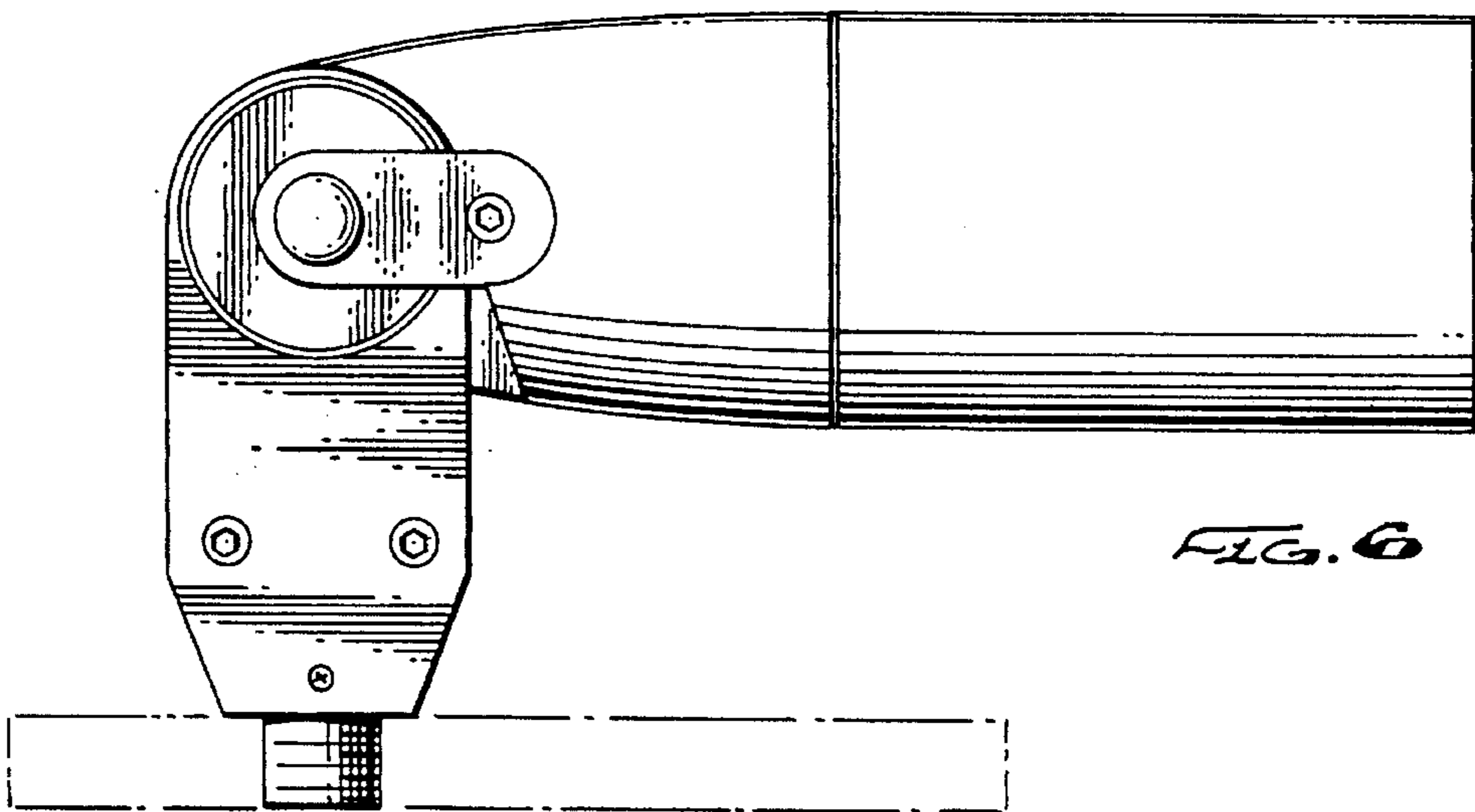
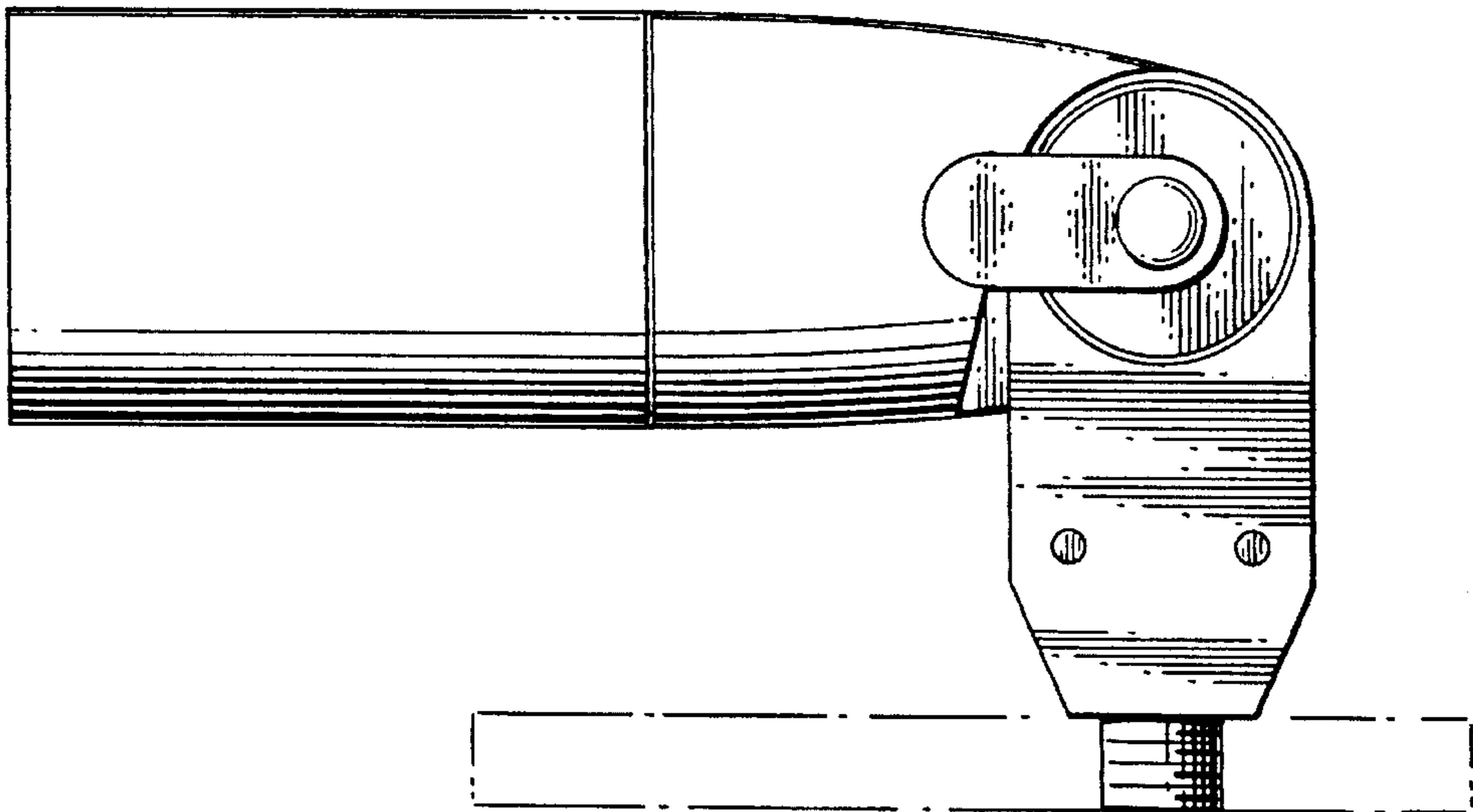


FIG. 6

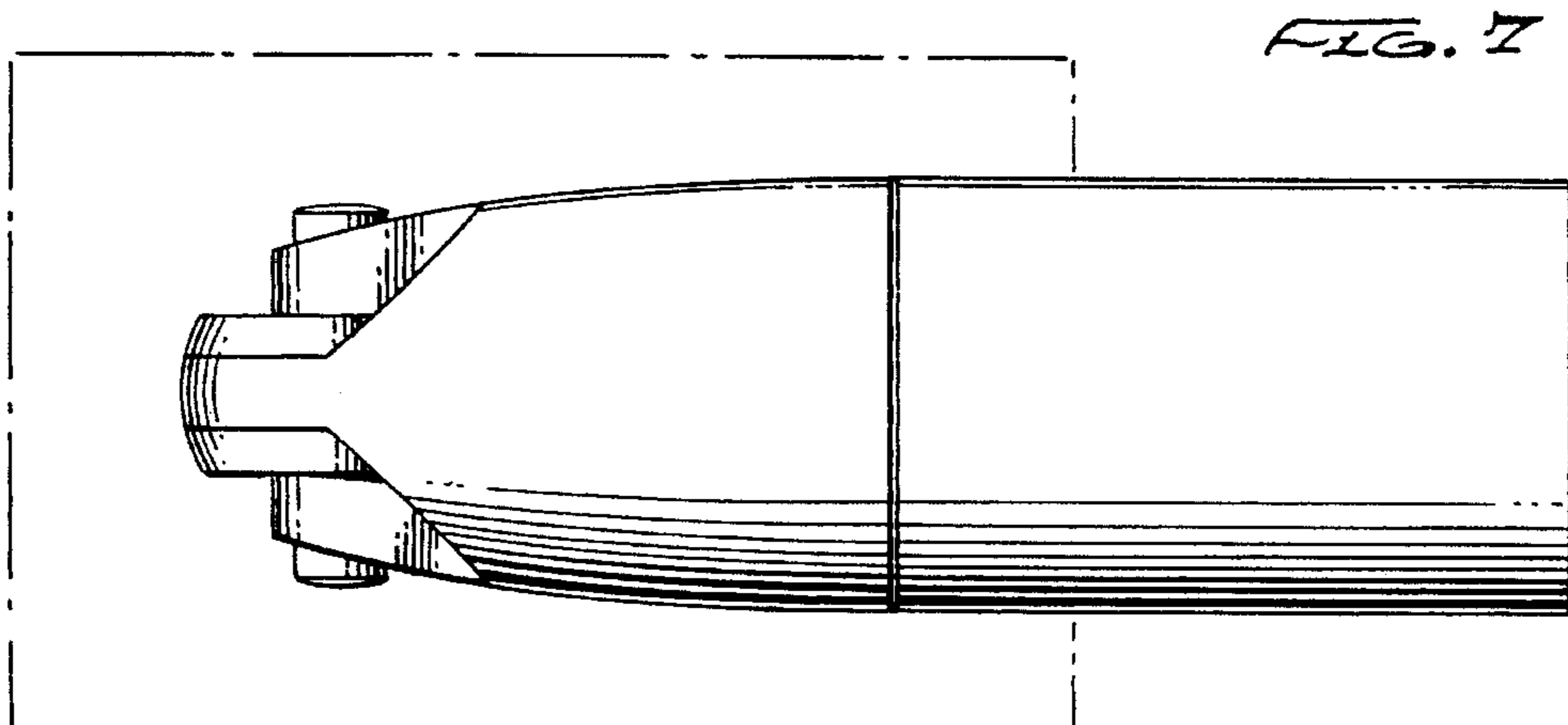


FIG. 7