



US00D373436S

# United States Patent [19]

[11] Patent Number: **Des. 373,436**

Li et al.

[45] Date of Patent: **\*\*Sep. 3, 1996**

[54] **COMBINED FLASHLIGHT AND FLUORESCENT LAMP**

3,124,306 3/1964 Schotz ..... D26/49

[75] Inventors: **Wai-Hung Li, Tai Po; Chi-Kwong Lam, Kwai Chung, both of Hong Kong**

*Primary Examiner*—Marcus A. Jackson  
*Attorney, Agent, or Firm*—Burns, Doane, Swecker & Mathis

[73] Assignee: **Bright Commence Industrial Ltd., Hong Kong**

[57] **CLAIM**

[\*\*] Term: **14 Years**

The ornamental design for a combined flashlight and fluorescent lamp, as shown and described.

[21] Appl. No.: **38,256**

**DESCRIPTION**

[22] Filed: **May 2, 1995**

[52] U.S. Cl. .... **D26/44**

[58] Field of Search ..... D26/37-50; 362/157, 362/158, 183, 184, 188-203

FIG. 1 is the perspective view from front, above and left side thereof;  
FIG. 2 is the front view thereof;  
FIG. 3 is the rear view thereof;  
FIG. 4 is the left side view thereof;  
FIG. 5 is the right side view thereof;  
FIG. 6 is the top view thereof;  
FIG. 7 is the bottom view thereof; and,  
FIG. 8 is the perspective view from front, bottom and left side with movable part in an alternate position.

[56] **References Cited**

**U.S. PATENT DOCUMENTS**

- D. 343,468 1/1994 Yuen ..... D26/44
- D. 354,364 1/1995 Yuen ..... D26/44

**1 Claim, 7 Drawing Sheets**

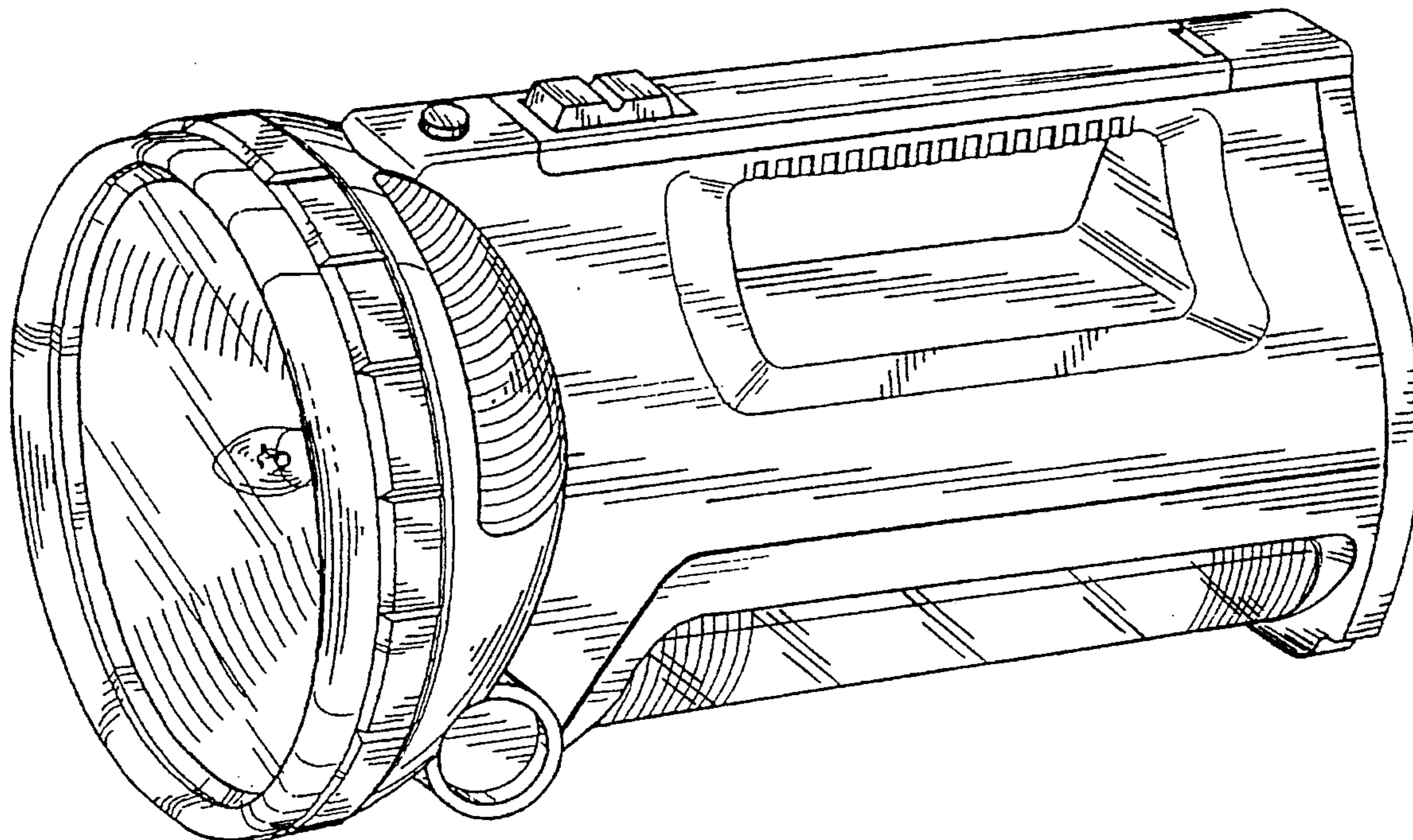
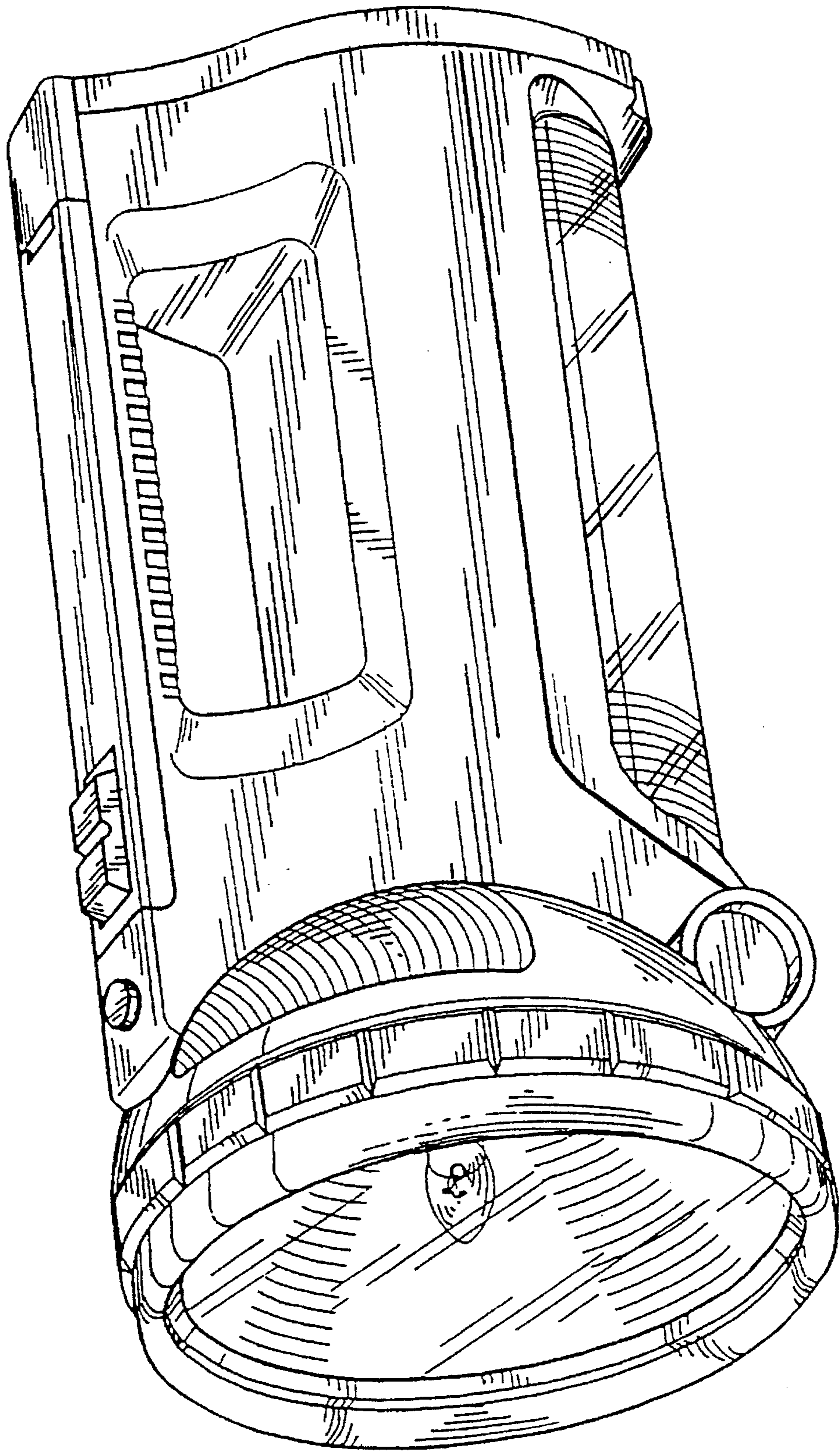


FIG. 1



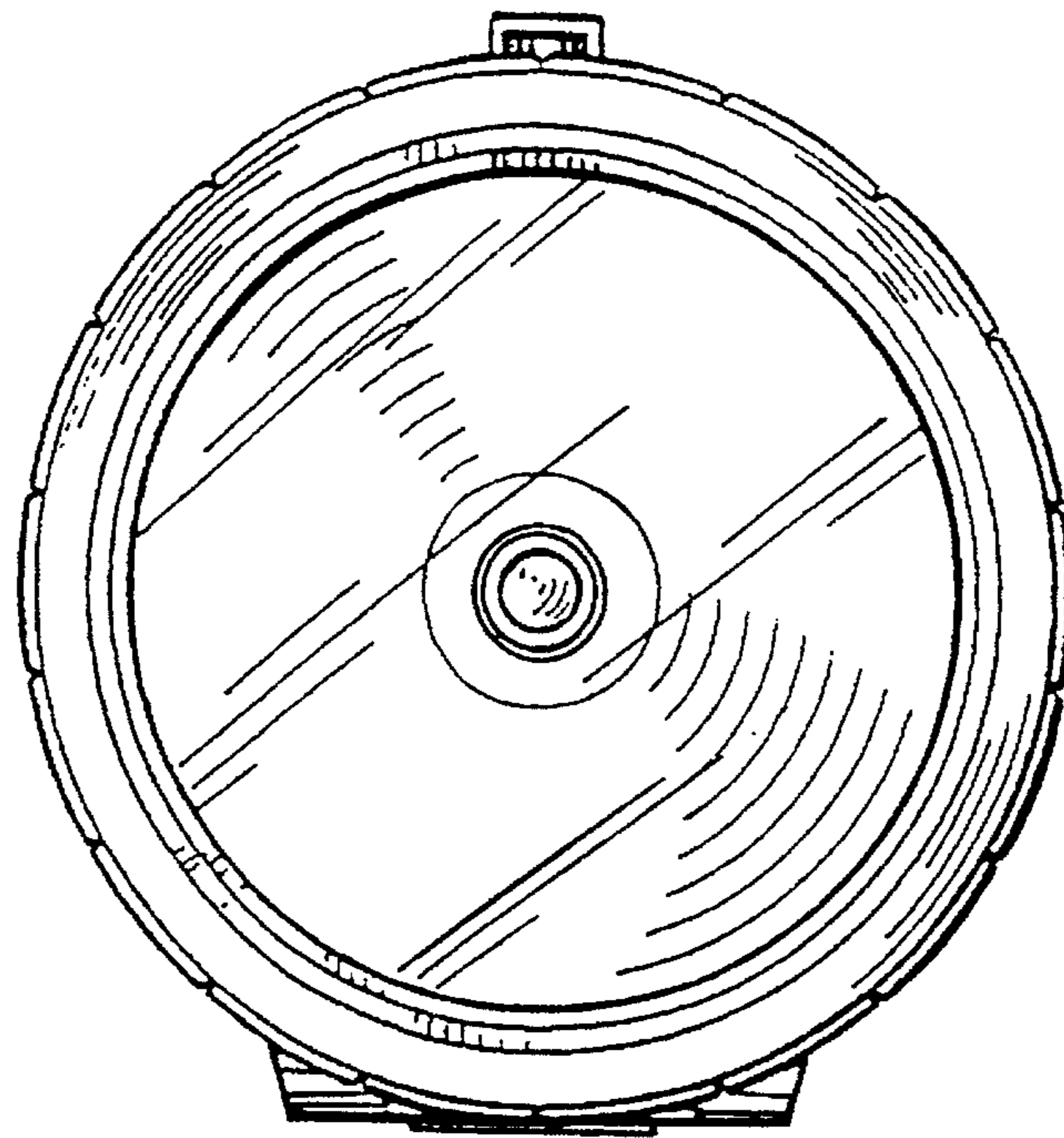


FIG. 2

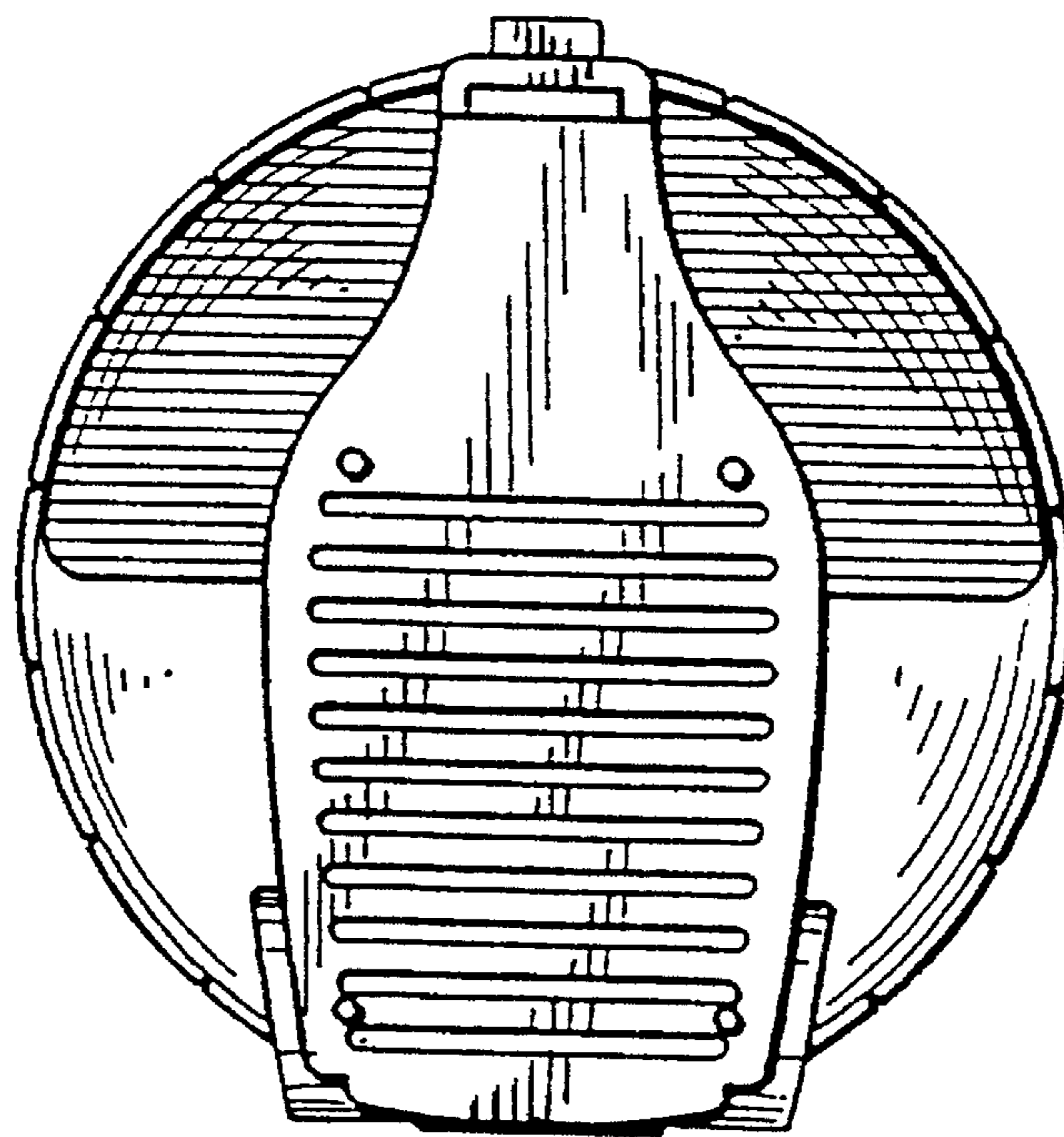


FIG. 3

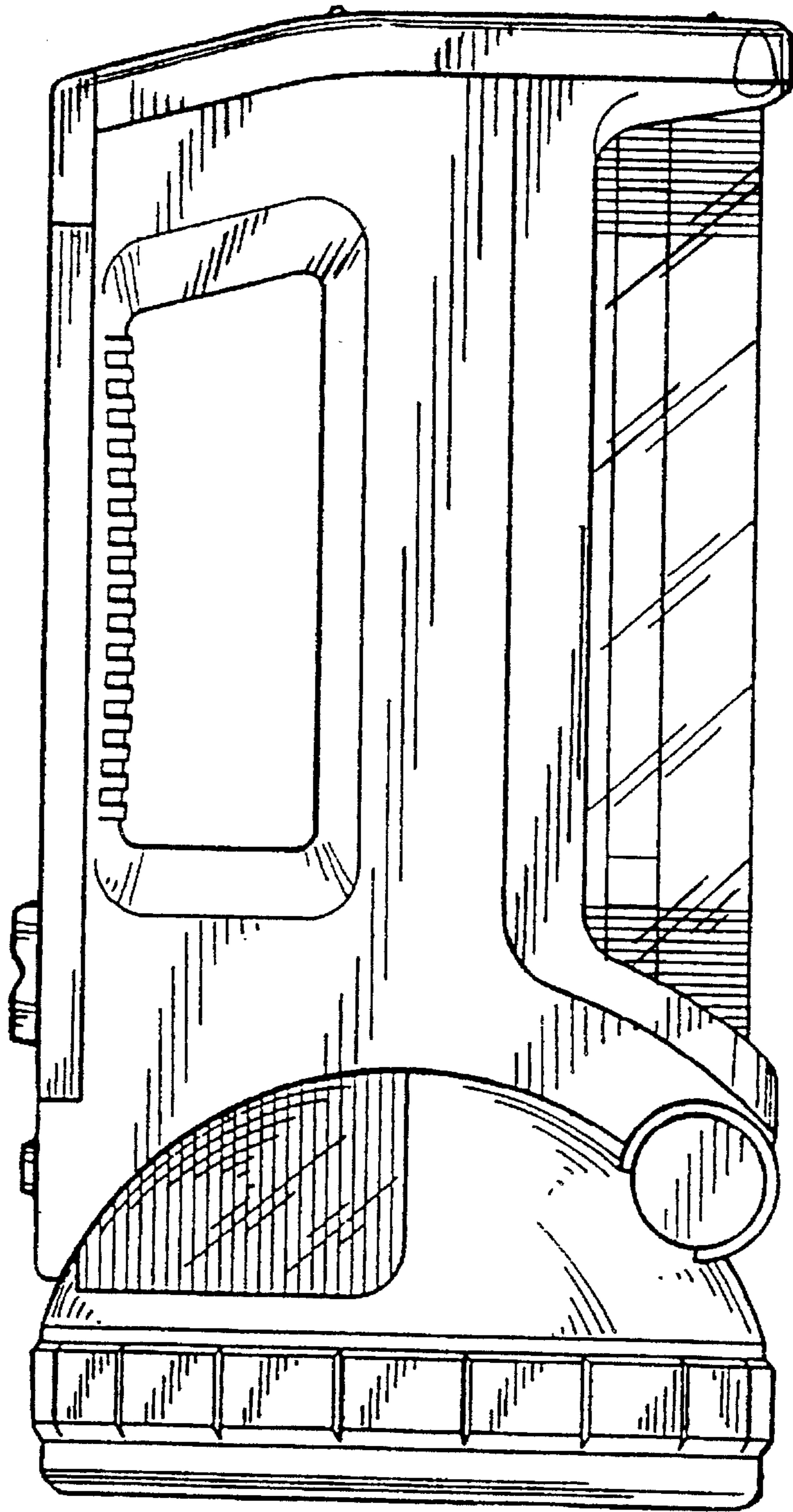


FIG. 4

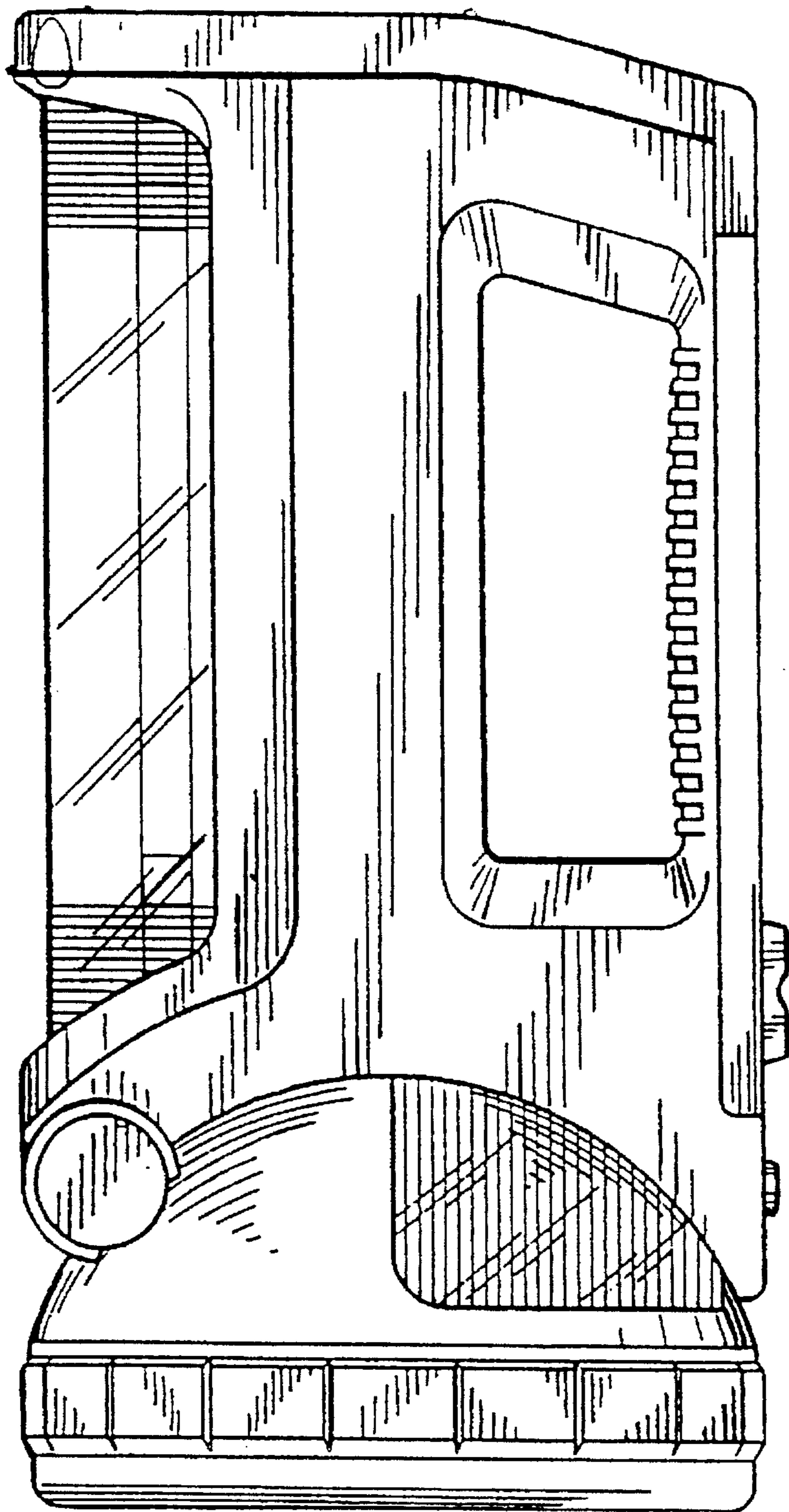


FIG. 5

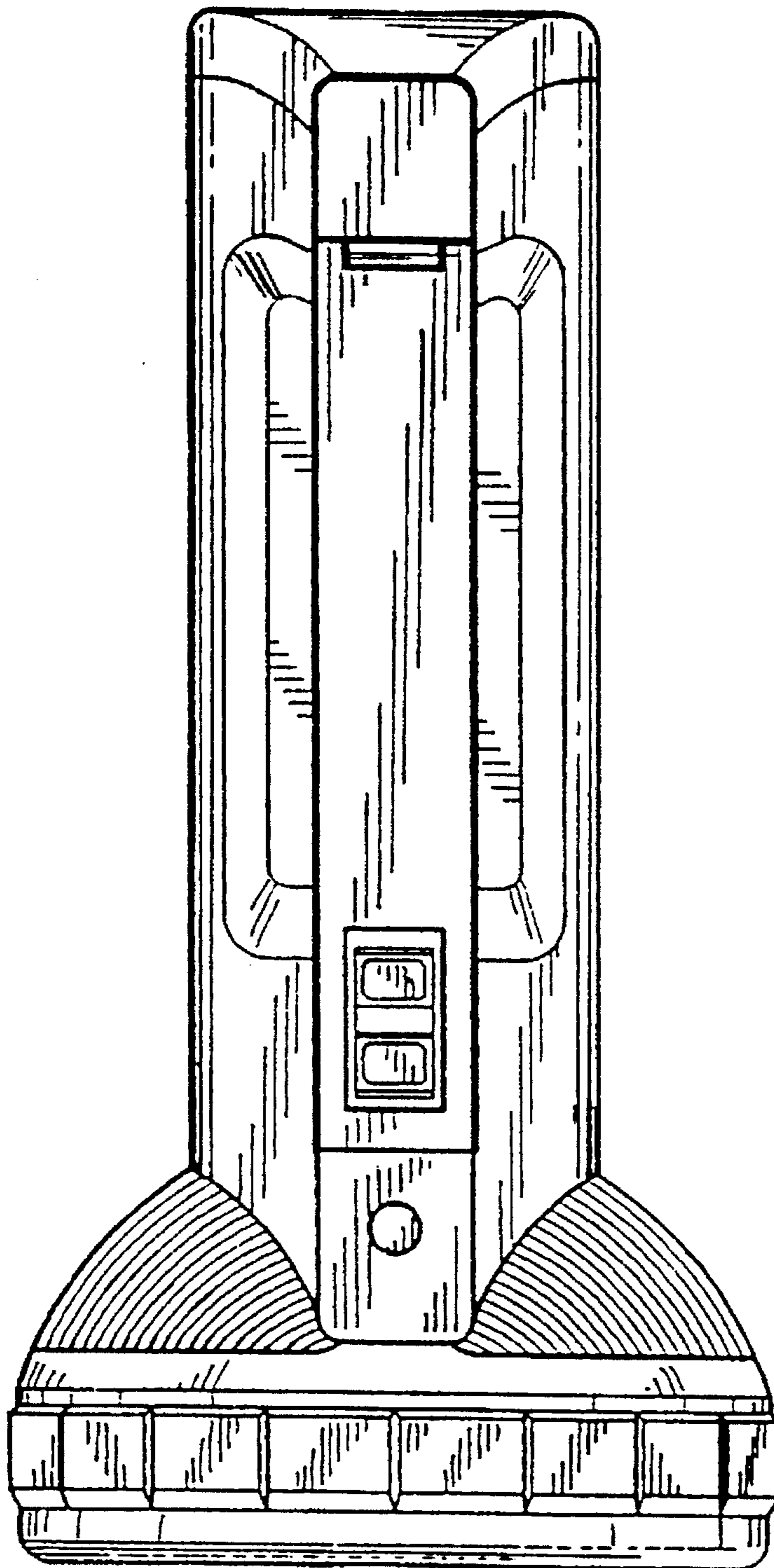


FIG. 6

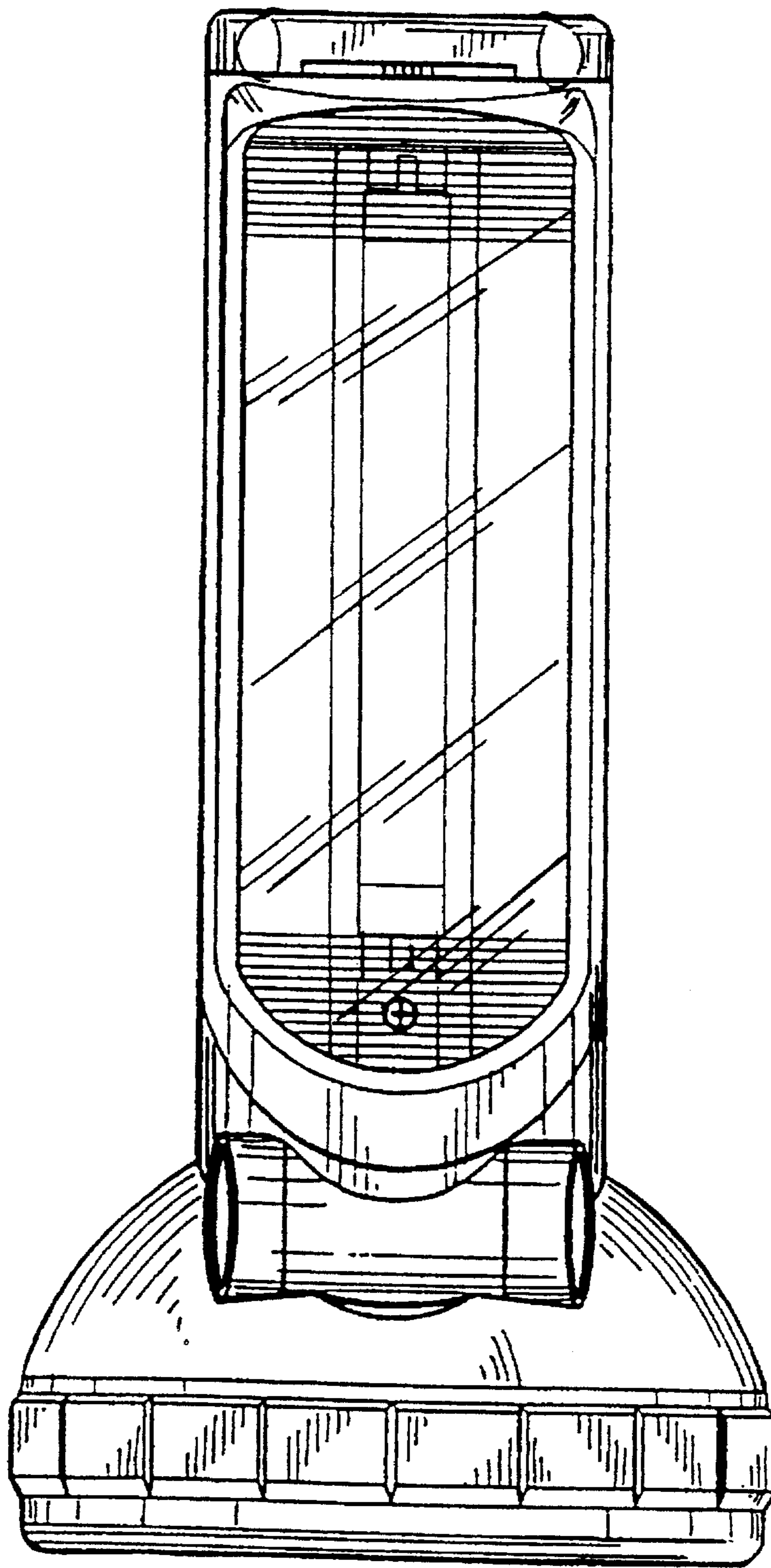


FIG. 7

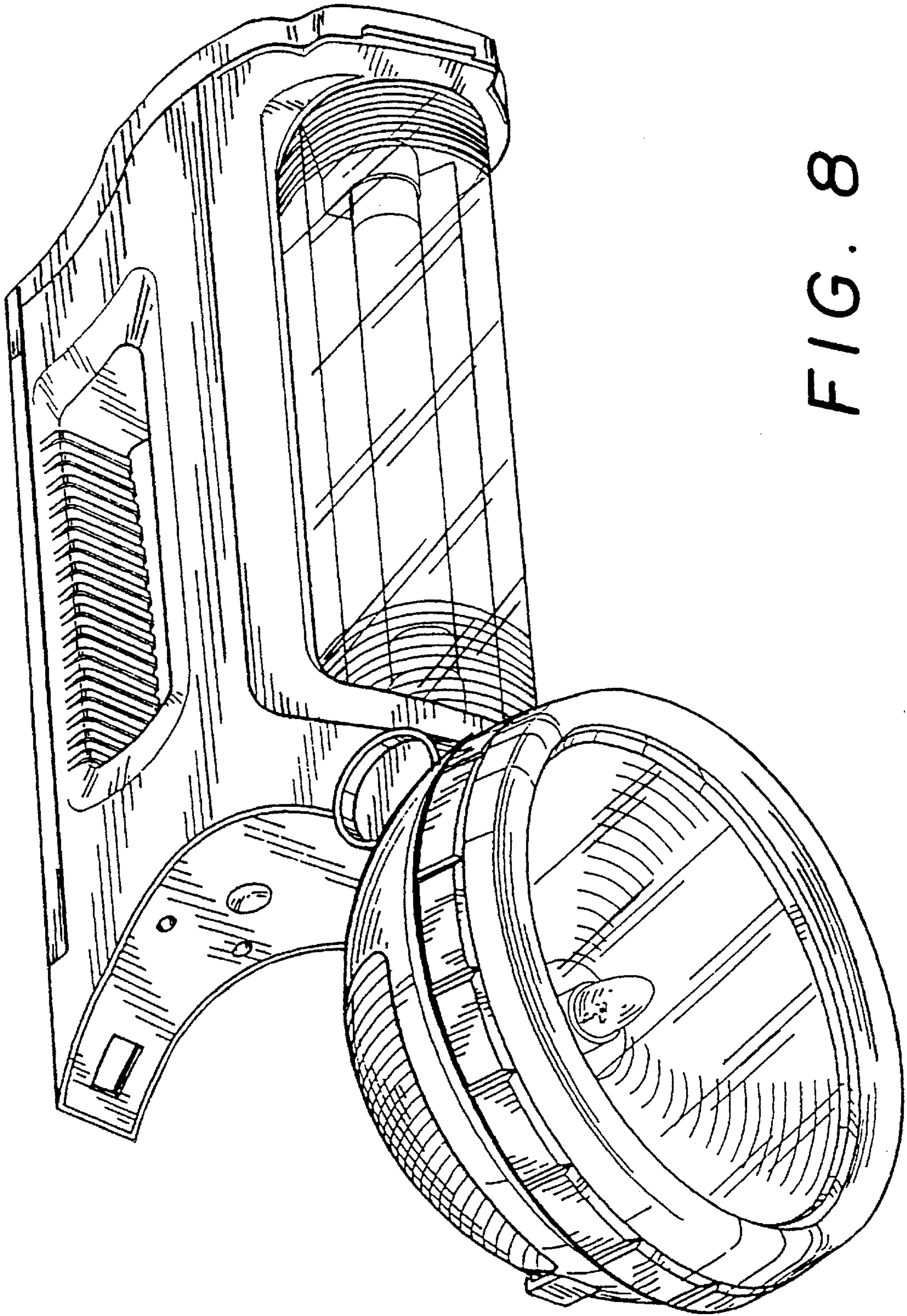


FIG. 8