



US00D373434S

# United States Patent [19]

[11] Patent Number: **Des. 373,434**

Nolan

[45] Date of Patent: **\*\*Sep. 3, 1996**

## [54] FLEXIBLE FLASHLIGHT

## FOREIGN PATENT DOCUMENTS

[75] Inventor: **Patrick Nolan**, Westport, Conn.

61-685931 8/1986 Japan ..... D26/43

[73] Assignee: **Black & Decker Inc.**, Newark, Del.

*Primary Examiner*—A. Hugo Word  
*Assistant Examiner*—Lavone D. Tabor  
*Attorney, Agent, or Firm*—Barry E. Deutsch

[\*\*] Term: **14 Years**

## [57] CLAIM

[21] Appl. No.: **35,077**

The ornamental design for a flexible flashlight, as shown and described.

[22] Filed: **Feb. 21, 1995**

[52] U.S. Cl. .... **D26/43**

[58] Field of Search ..... D26/37, 43, 44,  
D26/46, 49, 60, 62; 362/157, 158, 184,  
188, 189, 191, 198, 199, 200, 202, 362,  
396

## DESCRIPTION

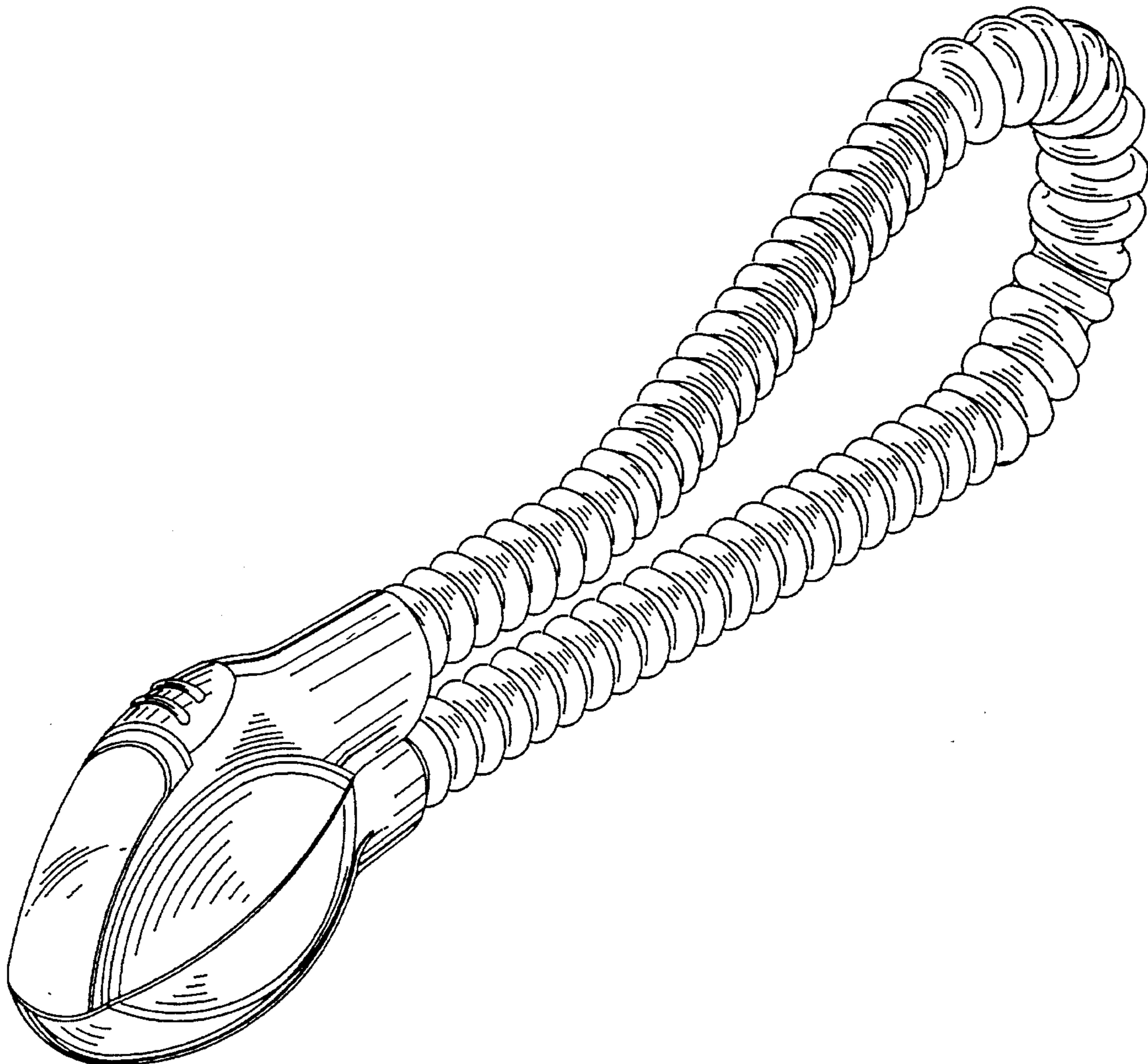
## [56] References Cited

### U.S. PATENT DOCUMENTS

D. 147,258	8/1947	Becker	.....	D26/43
D. 166,073	3/1952	Dunkelberger	.....	D26/43
D. 314,246	1/1991	Bache	.....	D26/62
D. 328,146	7/1992	Sinsteden	.....	D26/49
3,111,277	11/1963	Grimsley	.....	D26/63 X

FIG. 1 is a perspective view taken from the front, right and top of a flexible flashlight illustrating my new design; FIG. 2 is a right side elevational view thereof; FIG. 3 is a left side elevational view thereof; FIG. 4 is a front elevational view thereof; FIG. 5 is a rear elevational view thereof; FIG. 6 is a top plan view thereof; and, FIG. 7 is a bottom plan view thereof.

**1 Claim, 3 Drawing Sheets**



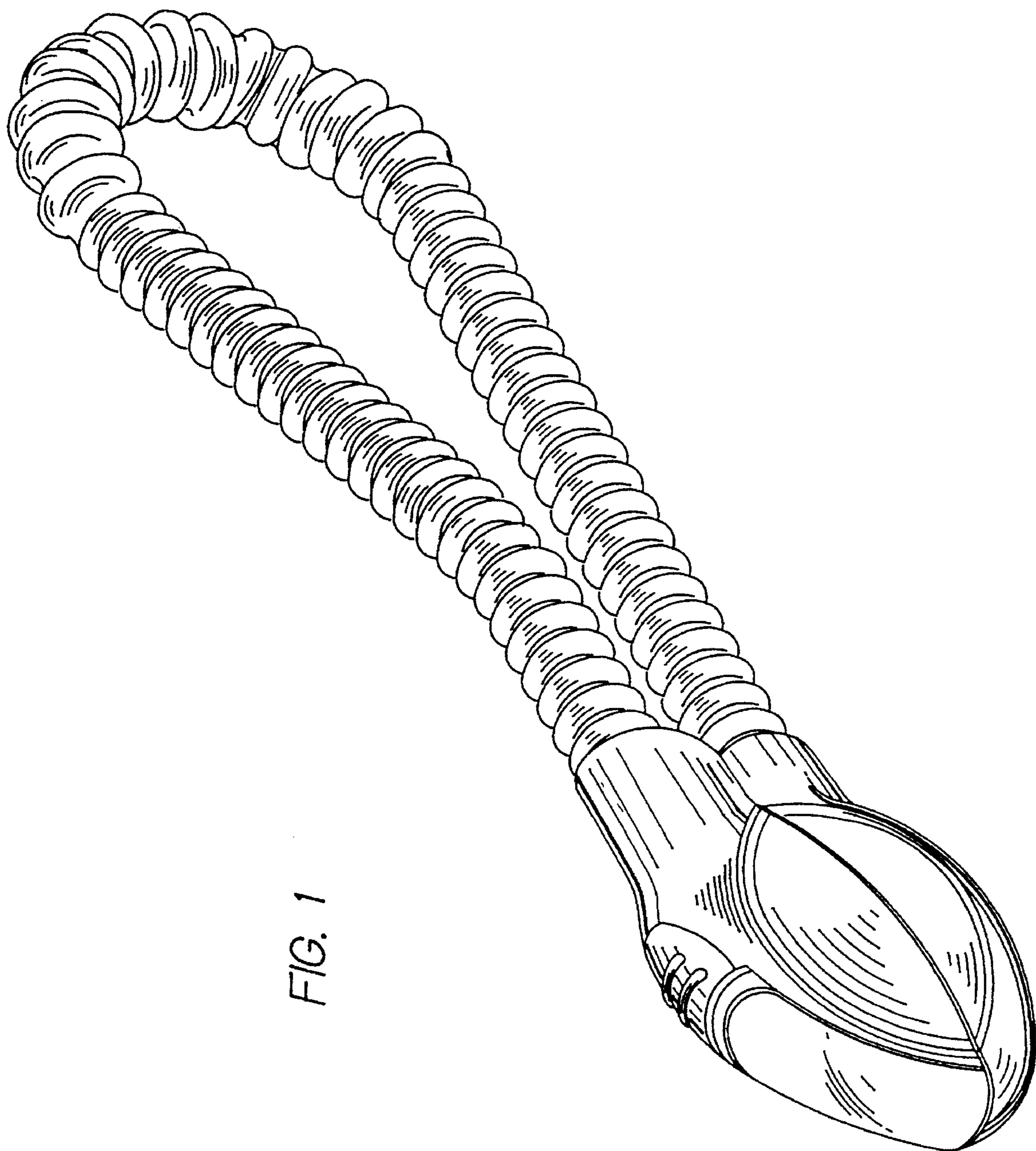


FIG. 1



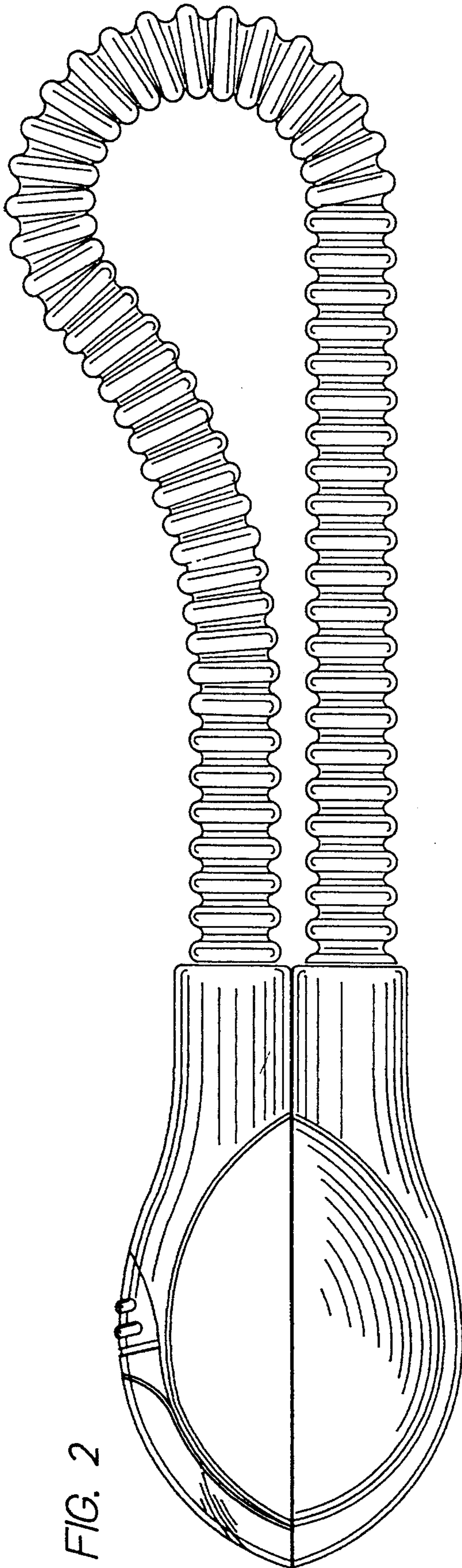


FIG. 2

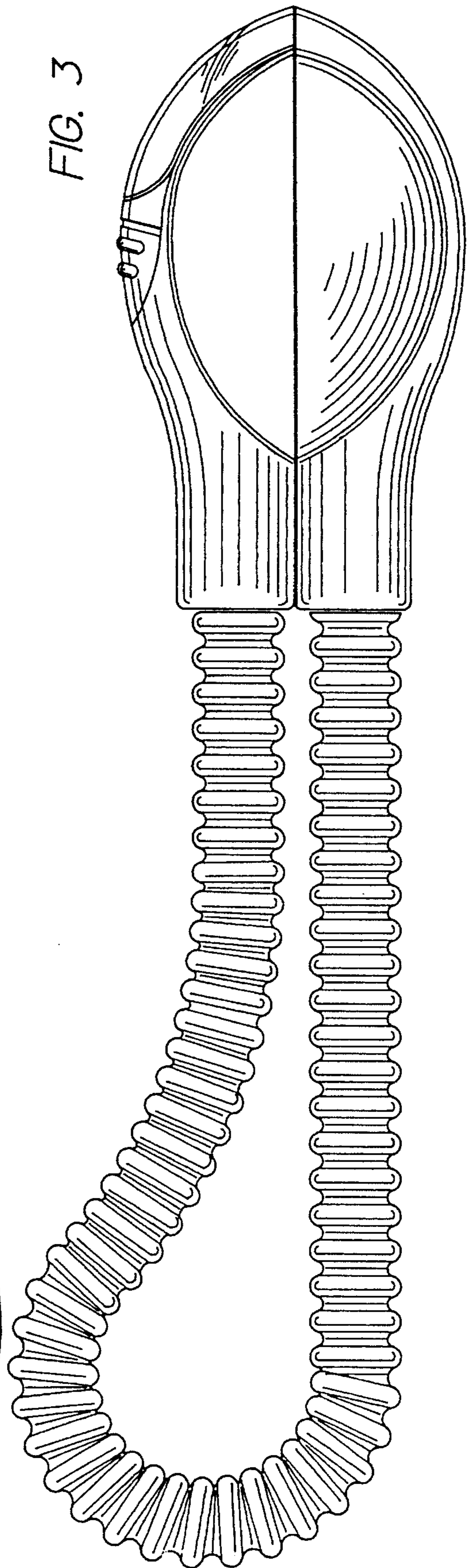


FIG. 3

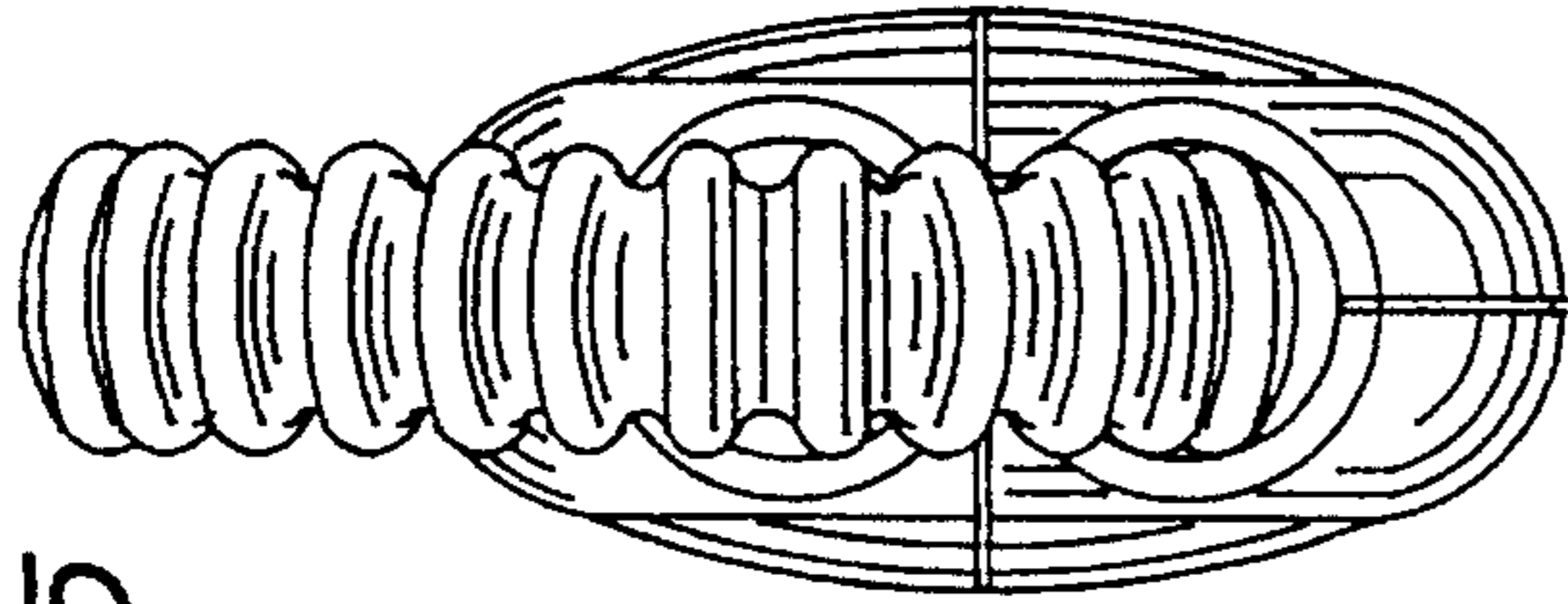


FIG. 5

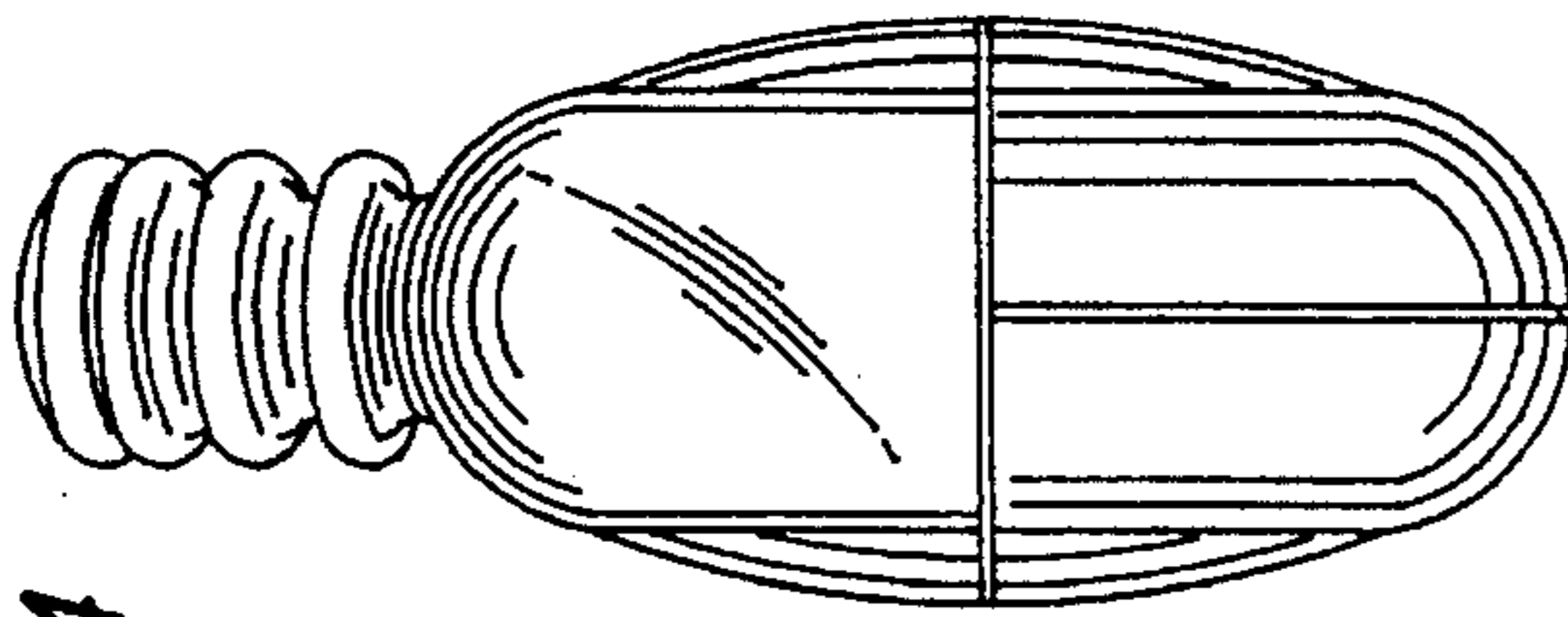


FIG. 4

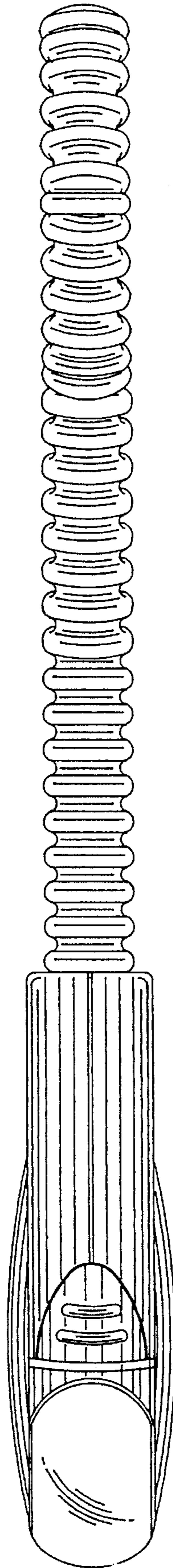


FIG. 6

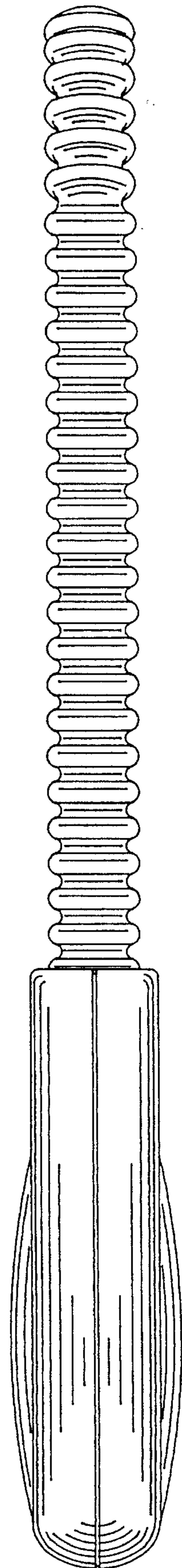


FIG. 7