



US00D373433S

# United States Patent [19]

[11] Patent Number: **Des. 373,433**

**Feinbloom**

[45] Date of Patent: **\*\*Sep. 3, 1996**

[54] **SURGICAL HEADLIGHT**

3,008,040	11/1961	Moore	.....	D26/39
3,032,647	5/1962	Wansky et al.	.....	D26/39
3,042,797	7/1962	Rubens	.....	D26/39
3,912,919	10/1975	Eriksson	.....	362/105
4,794,496	12/1988	Zanes et al.	.....	362/105

[75] Inventor: **Richard E. Feinbloom**, New York, N.Y.

[73] Assignee: **Designs For Vision, Inc.**, Ronkonkoma, N.Y.

*Primary Examiner*—Marcus A. Jackson  
*Attorney, Agent, or Firm*—Plevy & Associates

[\*\*] Term: **14 Years**

### [57] CLAIM

[21] Appl. No.: **35,948**

The ornamental design for a surgical headlight, as shown and described.

[22] Filed: **Mar. 8, 1995**

[52] U.S. Cl. .... **D26/39**

### DESCRIPTION

[58] Field of Search ..... D26/37-50; 362/157, 362/158, 183, 184, 187-191, 194-200, 202, 103, 105

FIG. 1 is a perspective view of a surgical headlight of my new and original design, with the broken line showing for illustrative purposes only and forming no part of the claimed design;

### [56] References Cited

#### U.S. PATENT DOCUMENTS

238,958	2/1976	Feinbloom .	
266,192	9/1982	Feinbloom .	
D. 274,758	7/1984	Shing	..... D26/39
290,047	5/1987	Feinbloom .	
D. 362,080	9/1995	Zehrer et al.	..... D26/39
491,713	2/1893	Main	..... D26/39
2,234,995	3/1941	Waechter	..... D26/39

FIG. 2 is a front plan view thereof;

FIG. 3 is a rear view thereof;

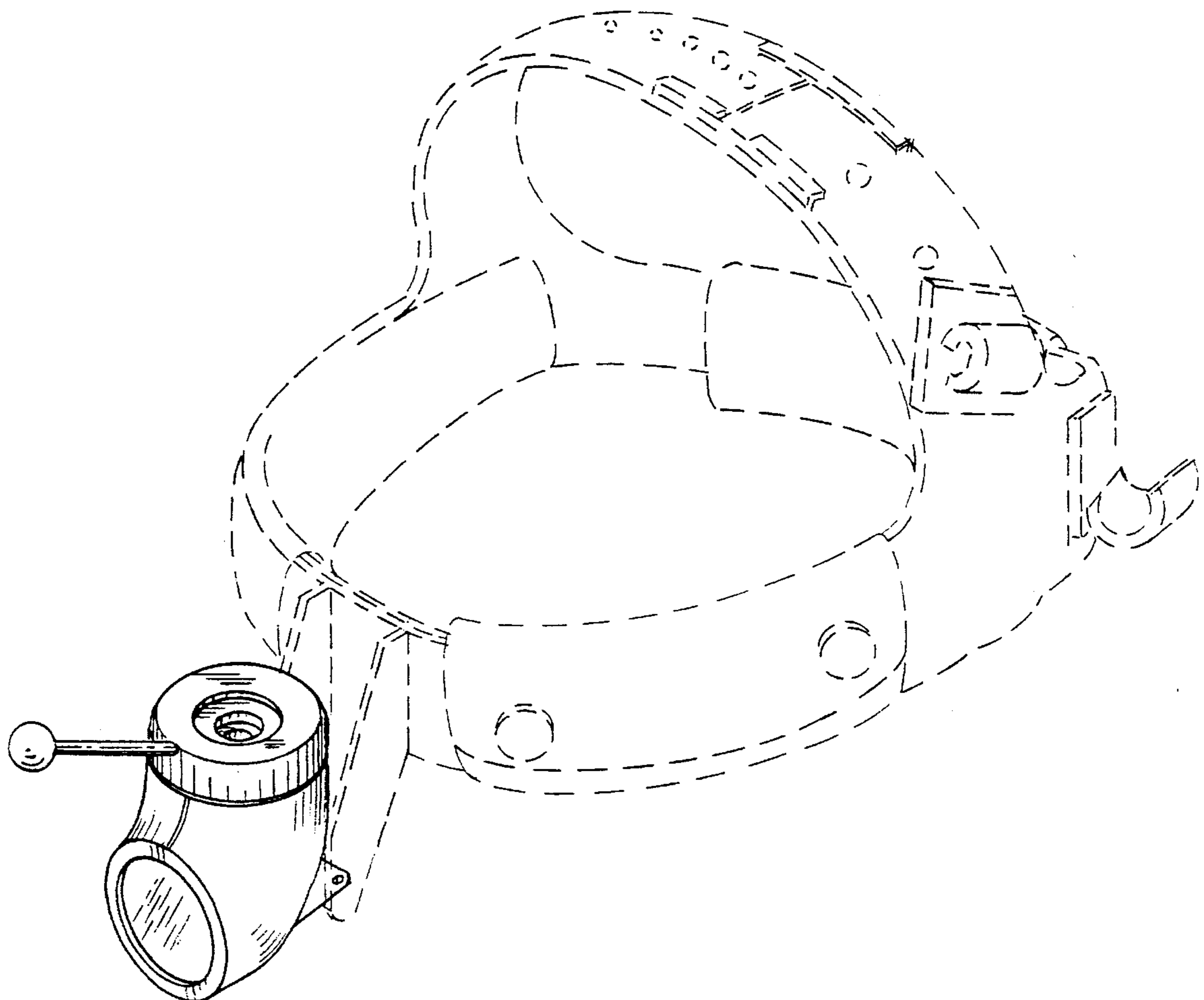
FIG. 4 is a side view thereof;

FIG. 5 is a top view thereof;

FIG. 6 is a bottom view thereof; and,

FIG. 7 is another perspective view showing the focusing rod removed from the headlight collar.

**1 Claim, 7 Drawing Sheets**



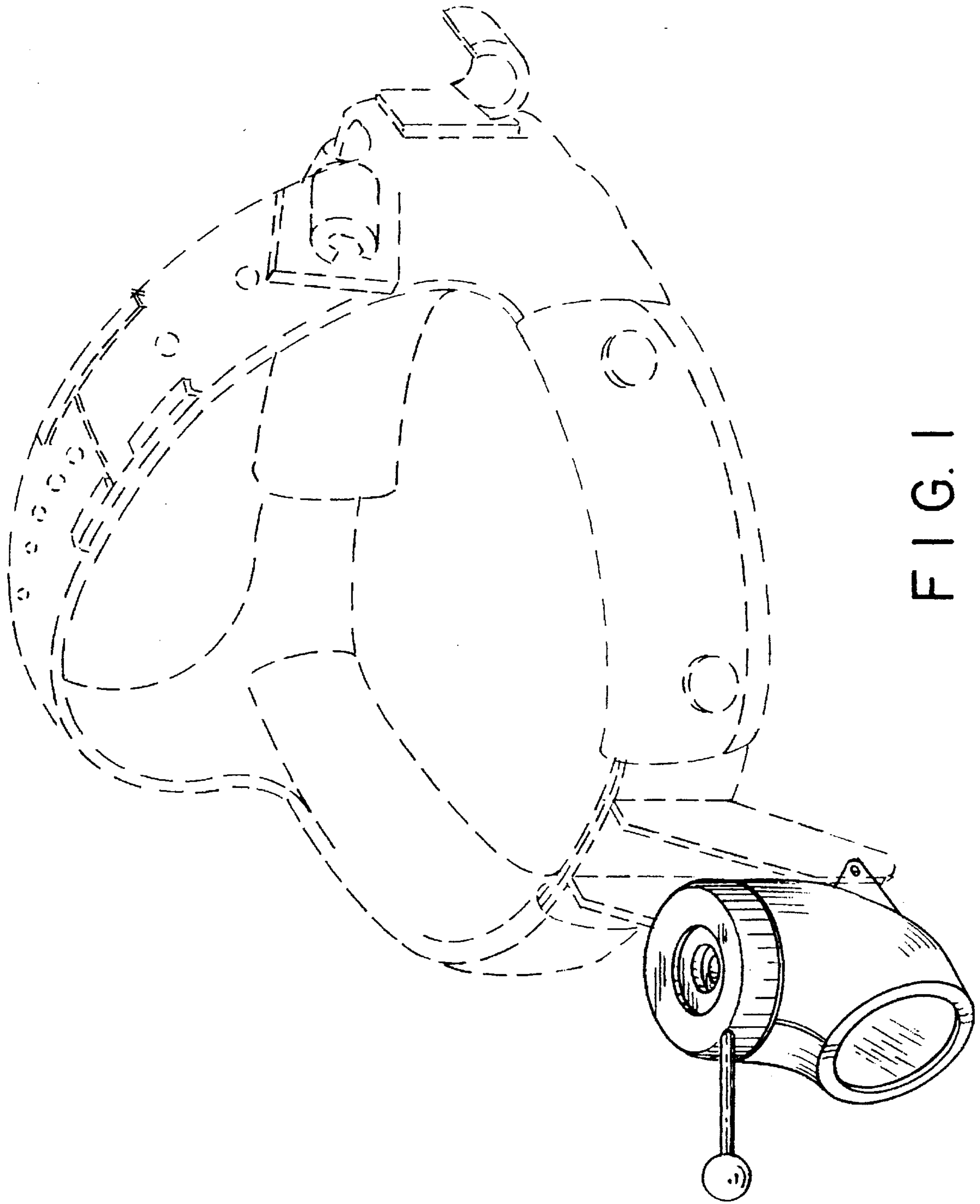


FIG. 1

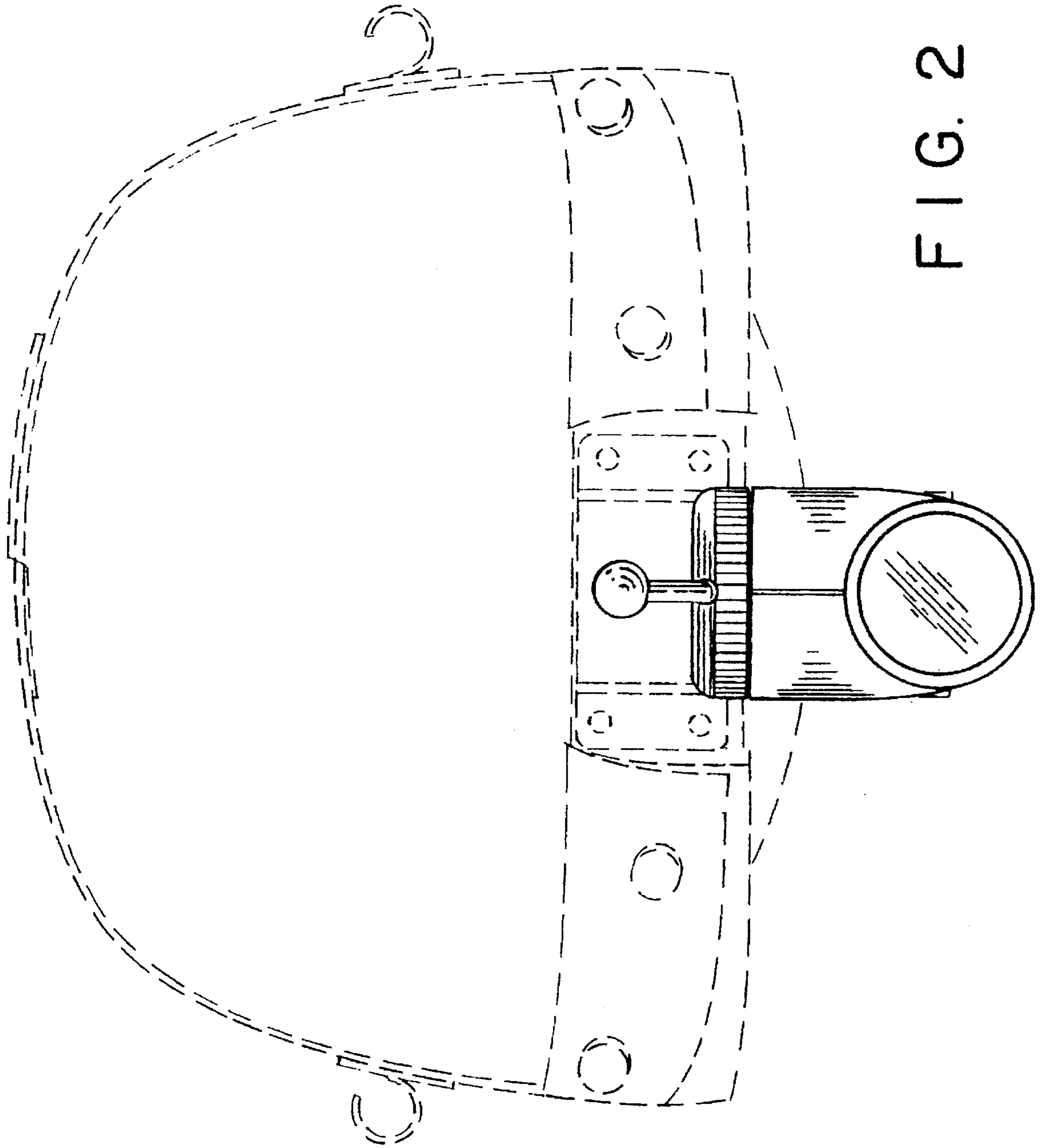


FIG. 2

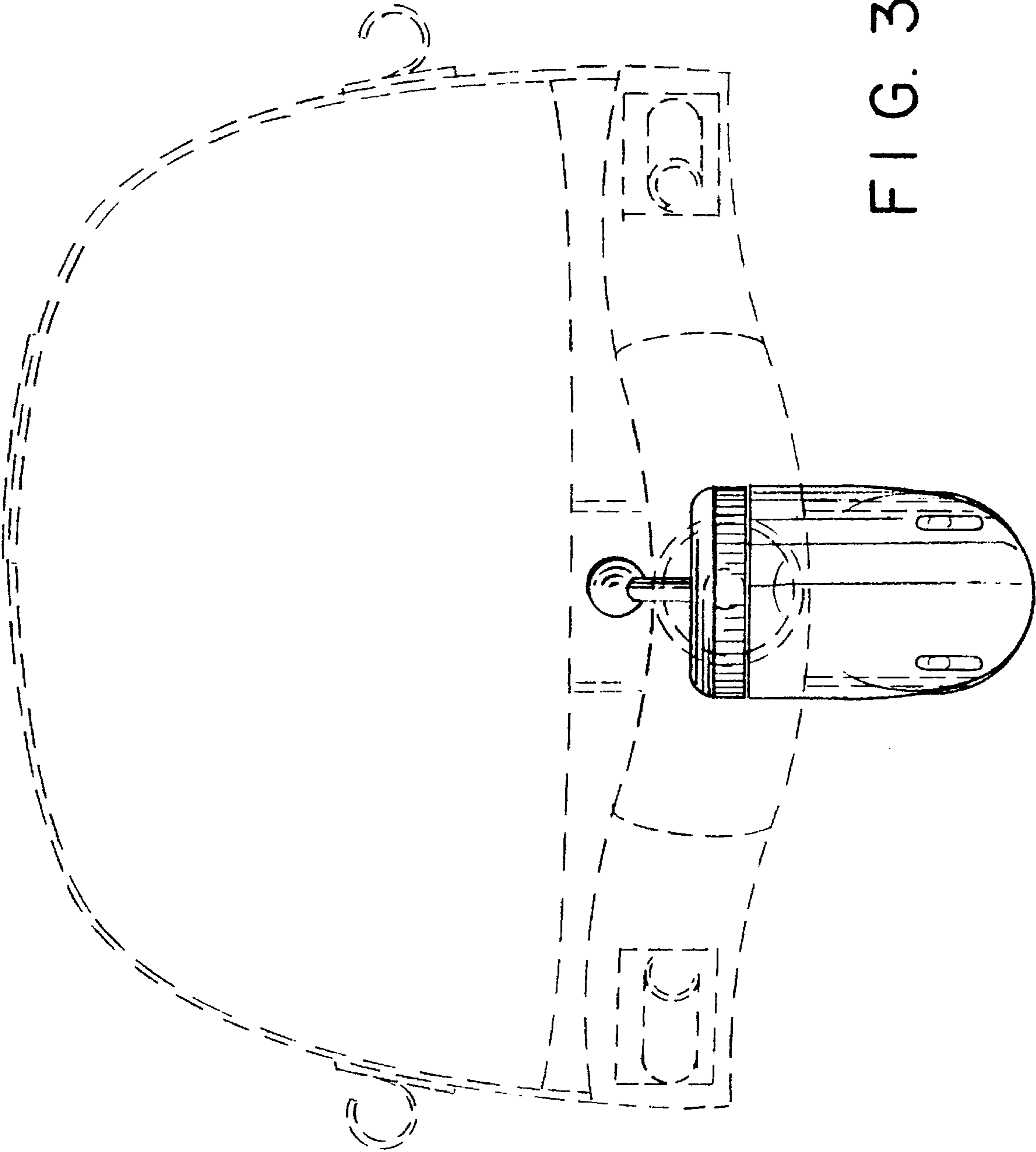


FIG. 3

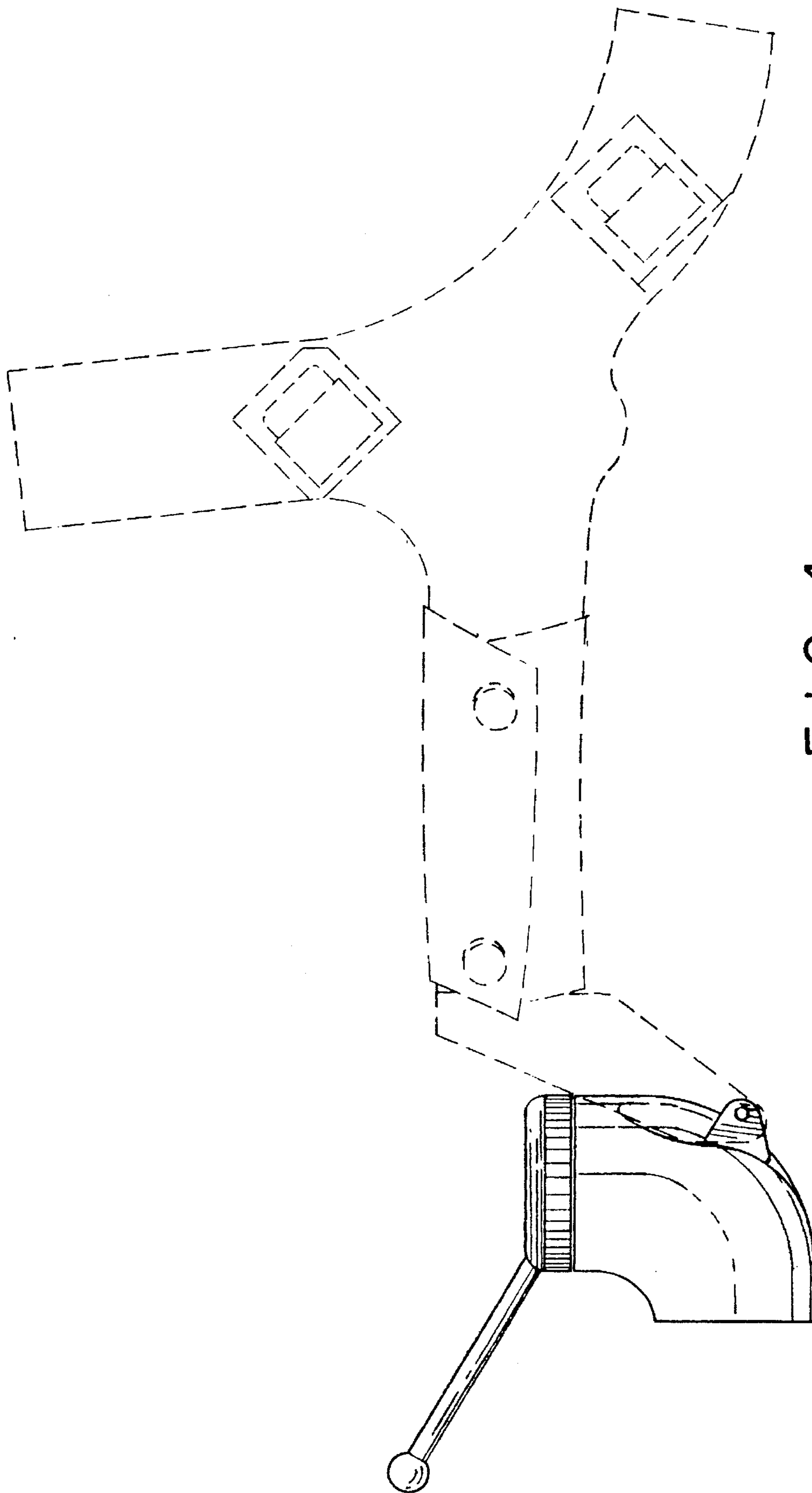


FIG. 4

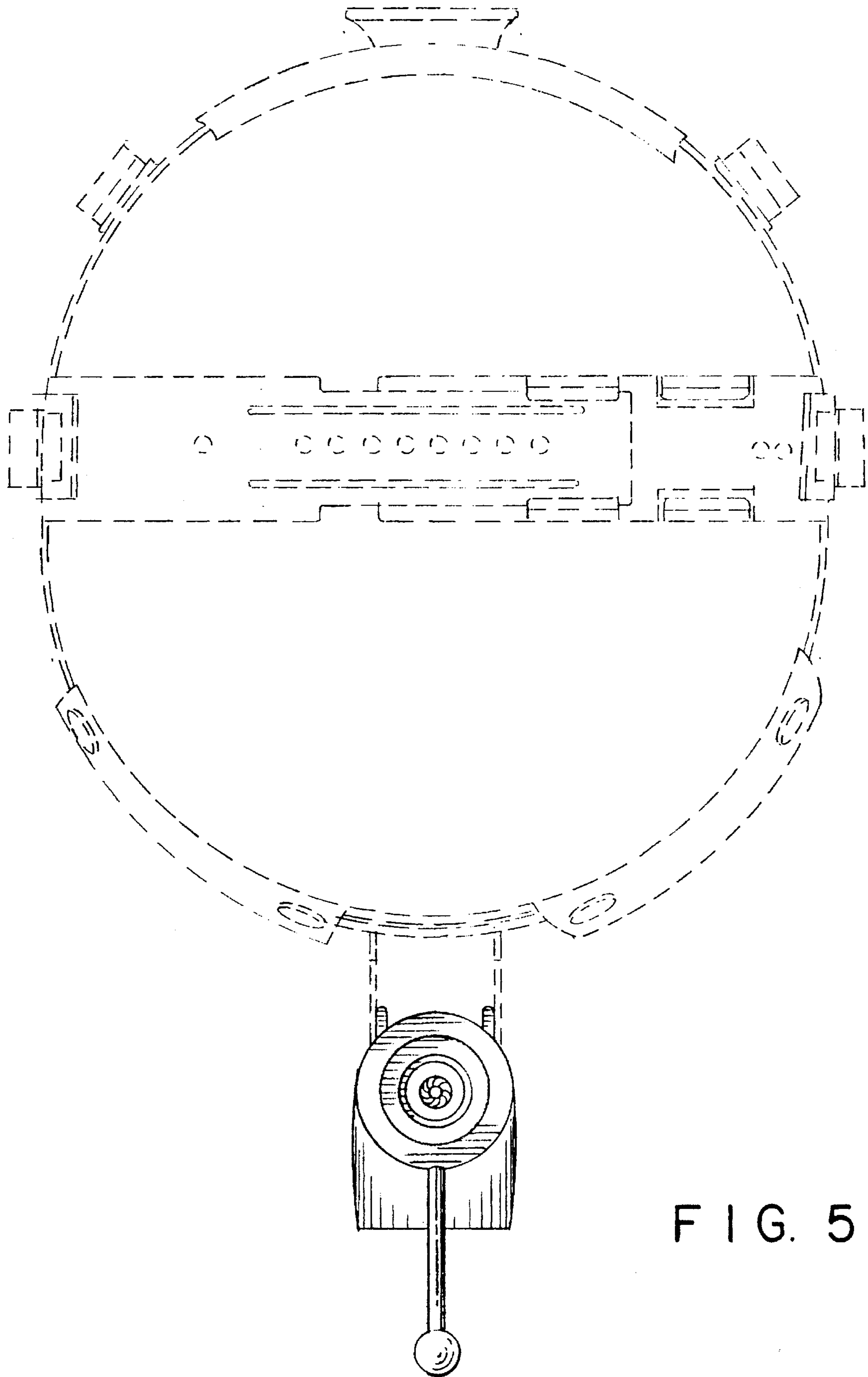


FIG. 5

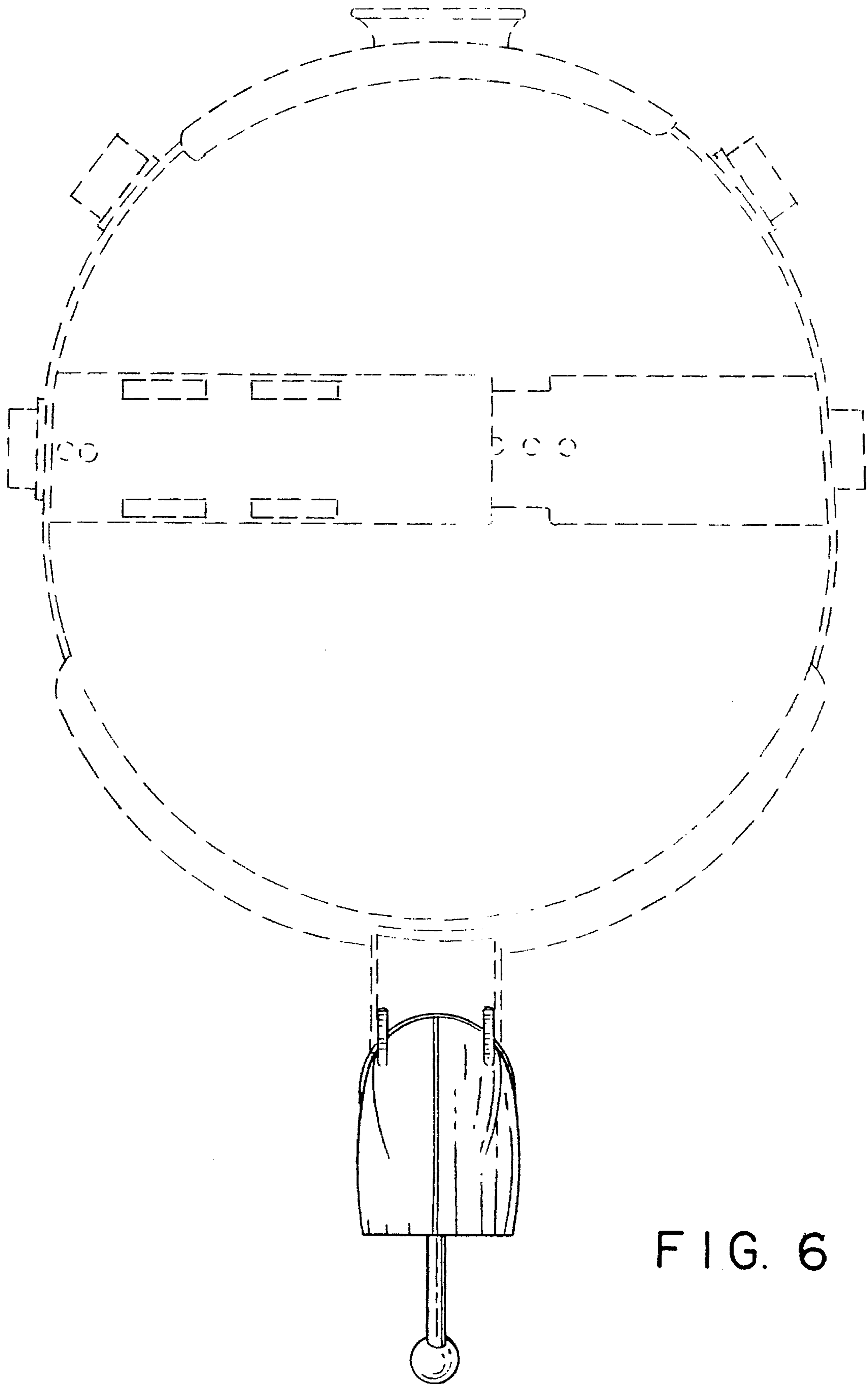


FIG. 6

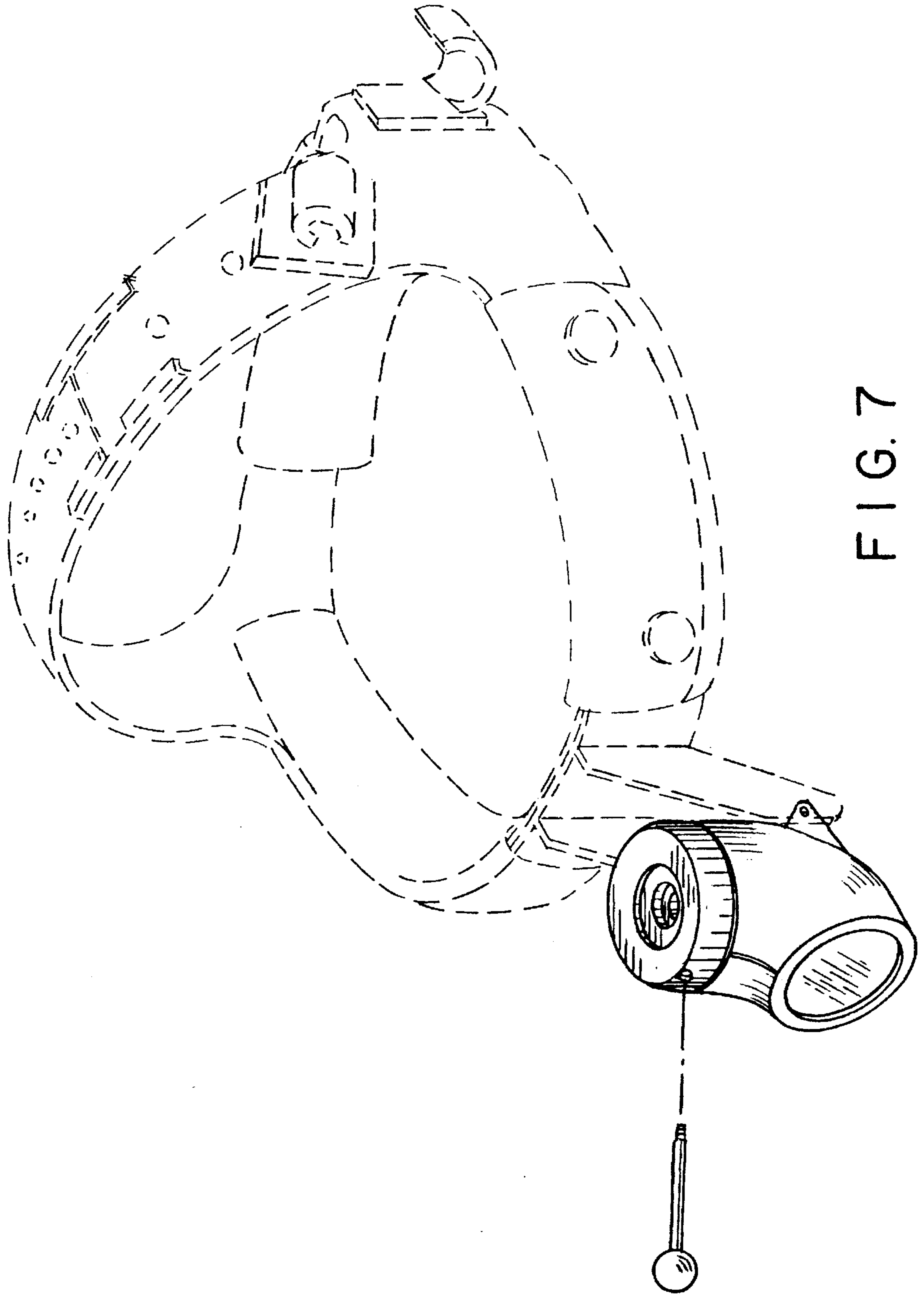


FIG. 7