



US00D373432S

United States Patent [19]

Wu

[11] Patent Number: **Des. 373,432**

[45] Date of Patent: ****Sep. 3, 1996**

[54] **AUXILIARY BRAKE LAMP**

[76] Inventor: **Jun-Da Wu**, P.O. Box 1032, Tainan, Taiwan

[**] Term: **14 Years**

[21] Appl. No.: **40,506**

[22] Filed: **Jun. 20, 1995**

[52] U.S. Cl. **D26/28**

[58] Field of Search D10/109, 114, D10/121; D26/28-36; 362/61, 80, 74, 82, 83, 227, 235, 236, 240, 243, 80.1, 83.3, 362, 269; 340/468, 479, 470-475

[56] **References Cited**

U.S. PATENT DOCUMENTS

- D. 240,905 8/1976 Bruner D10/114
- D. 313,661 1/1991 Kang D26/31
- D. 320,363 10/1991 Lyons D10/114

- D. 364,109 11/1995 Stanuch et al. D20/10
- 1,537,288 5/1925 Beam D26/30
- 1,581,335 4/1926 Eckert D26/30

Primary Examiner—Marcus A. Jackson

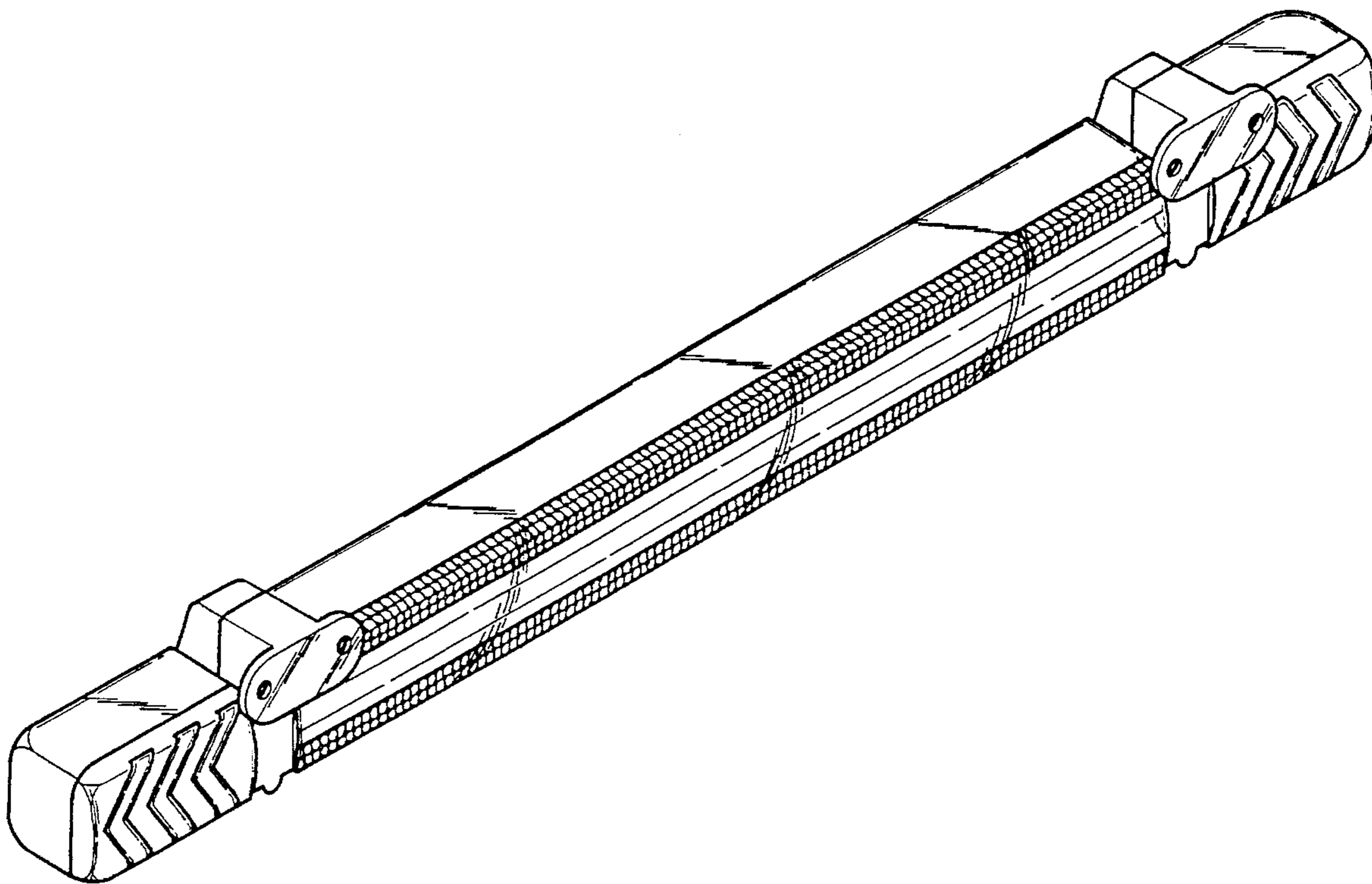
[57] **CLAIM**

The ornamental design for an auxiliary brake lamp, as shown and described.

DESCRIPTION

FIG. 1 is a perspective view of an auxiliary brake lamp showing my new design;
 FIG. 2 is a front elevational view thereof;
 FIG. 3 is a rear elevational view thereof;
 FIG. 4 is a left elevational view thereof;
 FIG. 5 is a right elevational view thereof;
 FIG. 6 is a top plan view thereof; and,
 FIG. 7 is a bottom plan view.

1 Claim, 3 Drawing Sheets



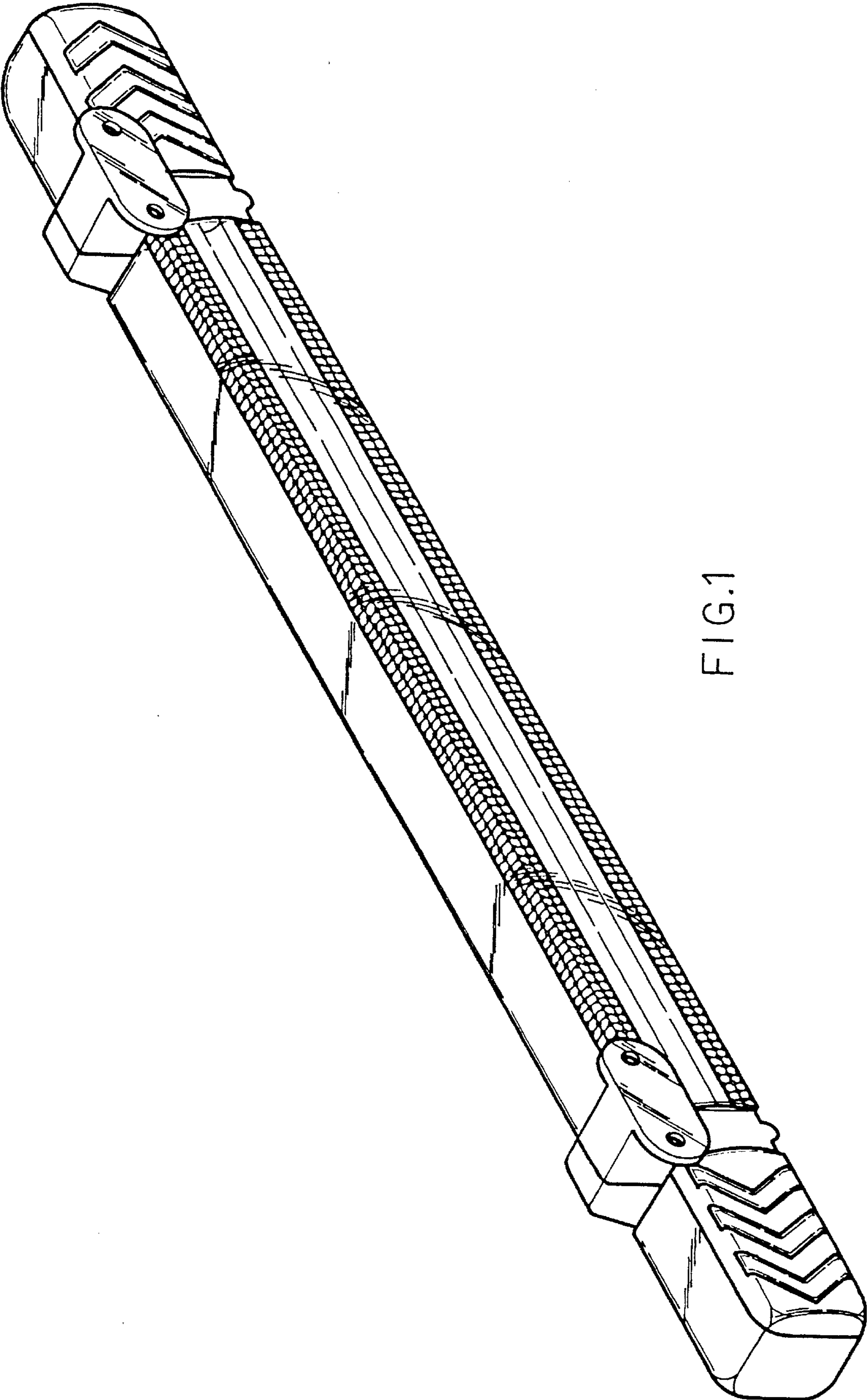


FIG.1

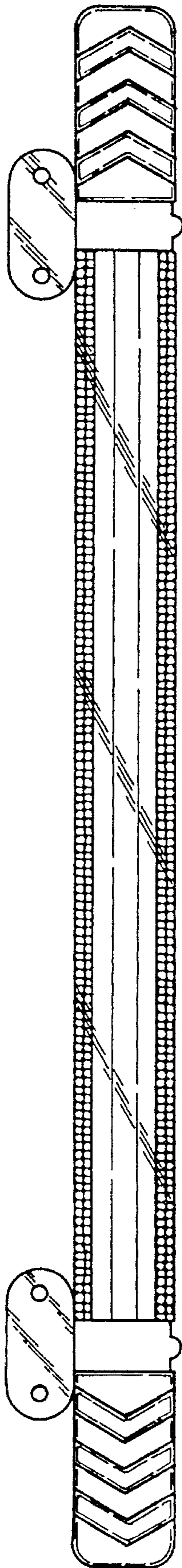


FIG. 2

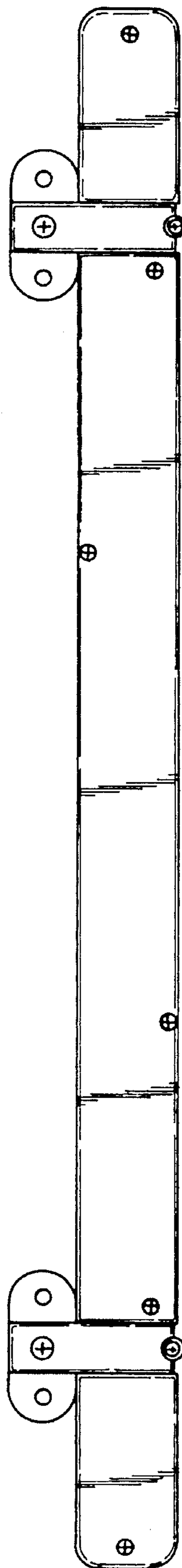


FIG. 3

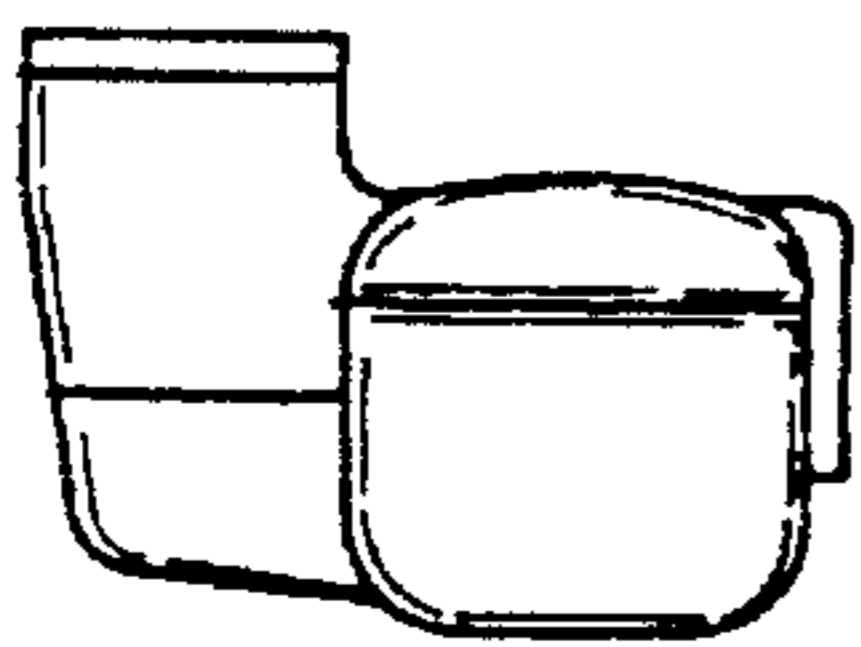


FIG. 4

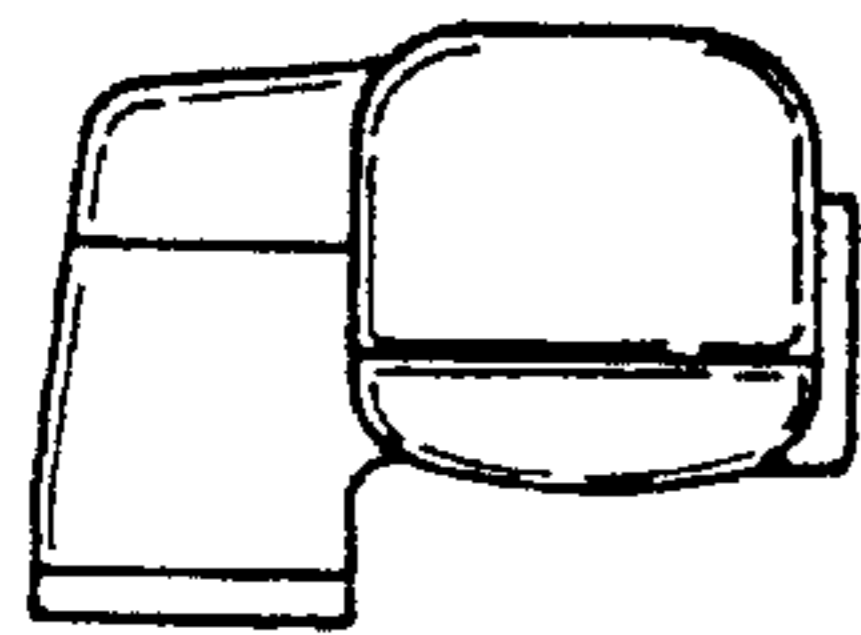


FIG. 5

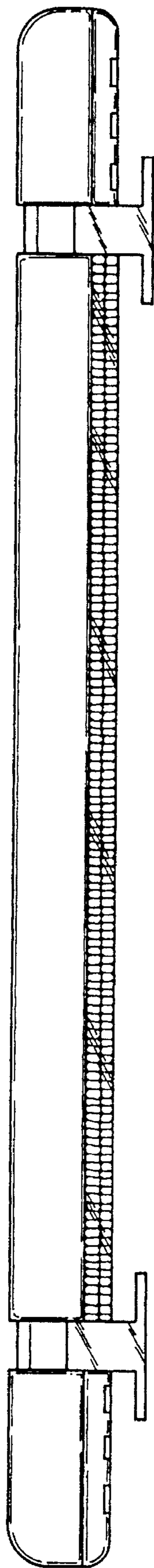


FIG. 6

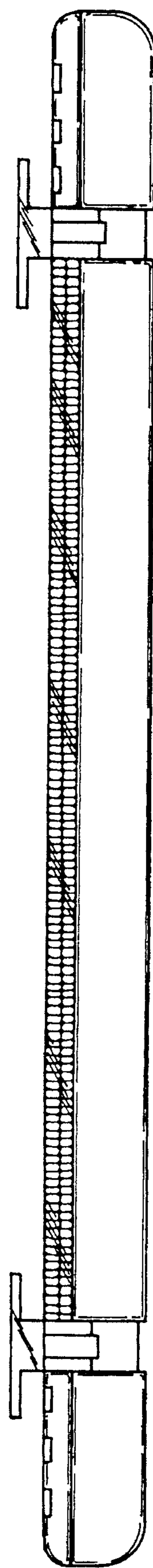


FIG. 7