



US00D373430S

United States Patent [19]
Colitto

[11] **Patent Number: Des. 373,430**

[45] **Date of Patent: **Sep. 3, 1996**

[54] **WINDOW SILL**

[75] **Inventor: Domenic Colitto, Bolton, Canada**

[73] **Assignee: Royal Extrusions Limited,
Woodbridge, Canada**

[**] **Term: 14 Years**

[21] **Appl. No.: 39,448**

[22] **Filed: May 31, 1995**

[52] **U.S. Cl. D25/124**

[58] **Field of Search D25/52, 60, 121-125;
49/DIG. 2, 504; 52/730.5, 731, 732, 738,
202, 204.5**

[56] **References Cited**

U.S. PATENT DOCUMENTS

D. 344,600 2/1994 Bancroh D25/60
4,793,114 12/1988 Pacca 52/204.5
5,095,672 3/1992 Tanikawa 52/730.5

Primary Examiner—Doris Clark

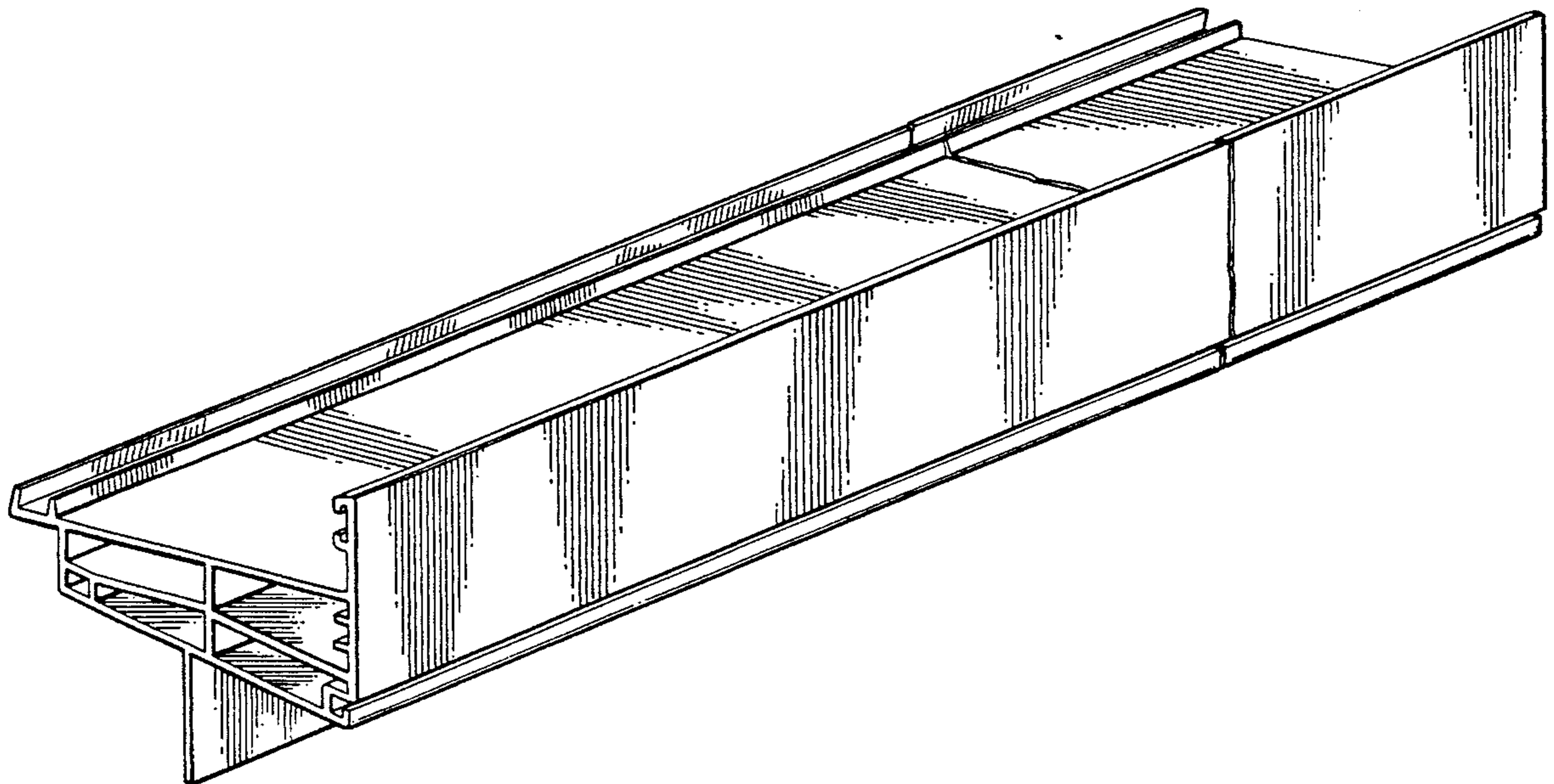
[57] **CLAIM**

An ornamental design for a window sill, as shown.

DESCRIPTION

FIG. 1 is a perspective view of a window sill; and,
FIG. 2 is an end view of the window sill.

1 Claim, 1 Drawing Sheet



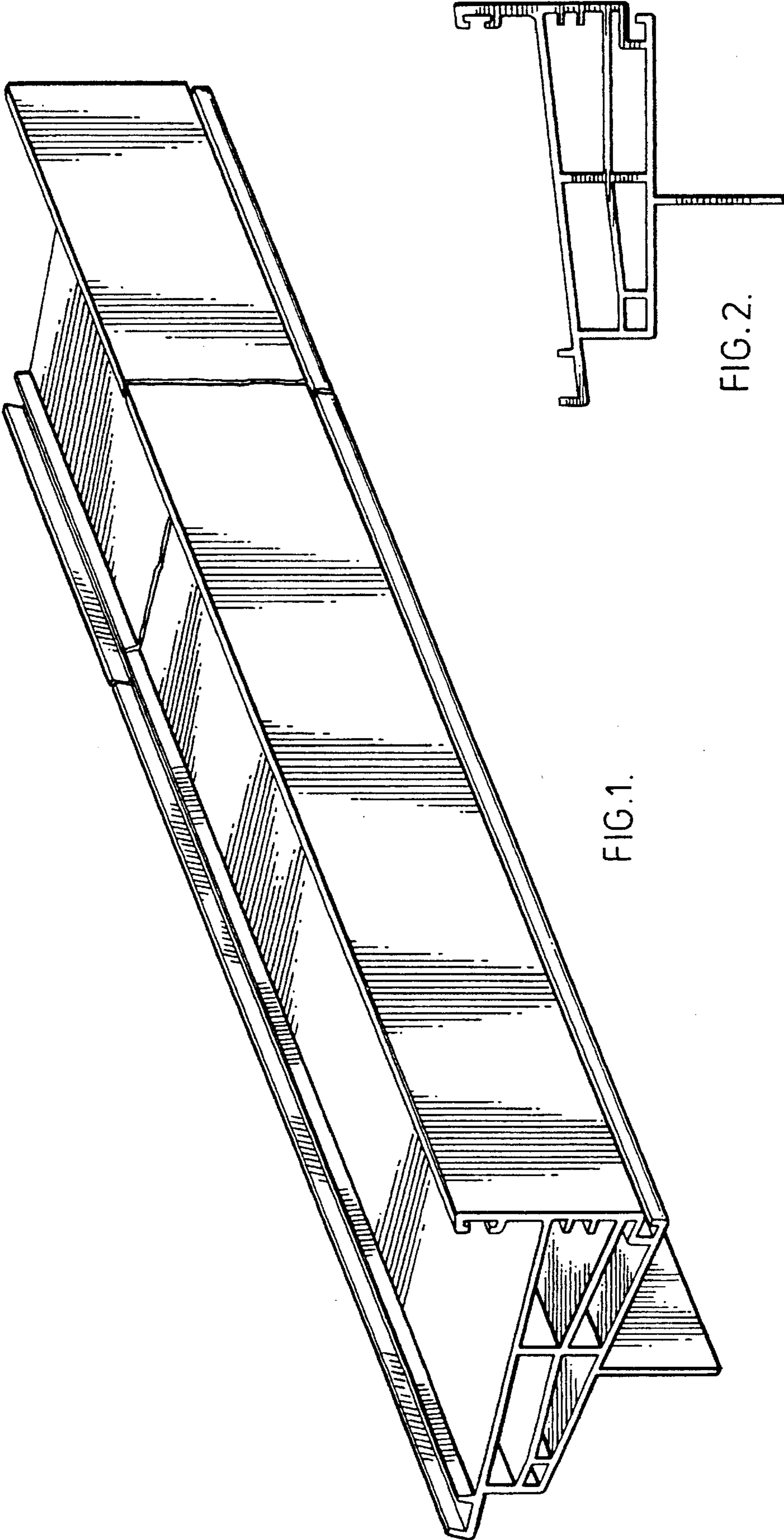


FIG.1.

FIG.2.