



US00D373426S

United States Patent [19]
Maxwell

[11] **Patent Number: Des. 373,426**

[45] **Date of Patent: **Sep. 3, 1996**

[54] **ENCLOSURE FOR A WELL PRESSURE TANK**

[76] Inventor: **John L. Maxwell**, 5200 Leisure La., Placerville, Calif. 95667

[**] Term: **14 Years**

[21] Appl. No.: **21,131**

[22] Filed: **Apr. 11, 1994**

[52] U.S. Cl. **D25/18; D25/16**

[58] **Field of Search** D25/1, 4, 15, 16, D25/18, 19, 20, 21, 22, 28, 56, 199; D15/9.1; D21/253; 52/2.11, 2.22, 79.1, 86; 135/87, 97, 124

[56] **References Cited**

U.S. PATENT DOCUMENTS

D. 223,705	5/1972	McCutcheon	D25/16	X
4,160,340	7/1979	Levett	D25/18	X
4,794,717	1/1989	Horsmann	D25/18	X

Primary Examiner—Louis S. Zarfaz
Assistant Examiner—Monica A. Hannon
Attorney, Agent, or Firm—John P. O'Banion

[57] **CLAIM**

The ornamental design for an enclosure for a well pressure tank, as shown and described.

DESCRIPTION

FIG. 1 is a perspective view of an enclosure for a well

pressure tank in accordance with the present invention as seen from the left, showing an access door on the face and exposed tubular weights on each side;

FIG. 2 is a front elevation view of the embodiment of FIG. 1;

FIG. 3 is a rear elevation view of the embodiment of FIG. 1;

FIG. 4 is a side view in elevation of the embodiment of FIG. 1 as seen from the left side;

FIG. 5 is a side view in elevation of the embodiment of FIG. 1 as seen from the right side;

FIG. 6 is a plan view of the embodiment of FIG. 1;

FIG. 7 is a bottom view of the embodiment of FIG. 1;

FIG. 8 is a perspective view of a second embodiment of the present invention as seen from the front left, showing an access door on the face and enclosed tubular weights on each side;

FIG. 9 is a front elevational view of the embodiment of FIG. 8;

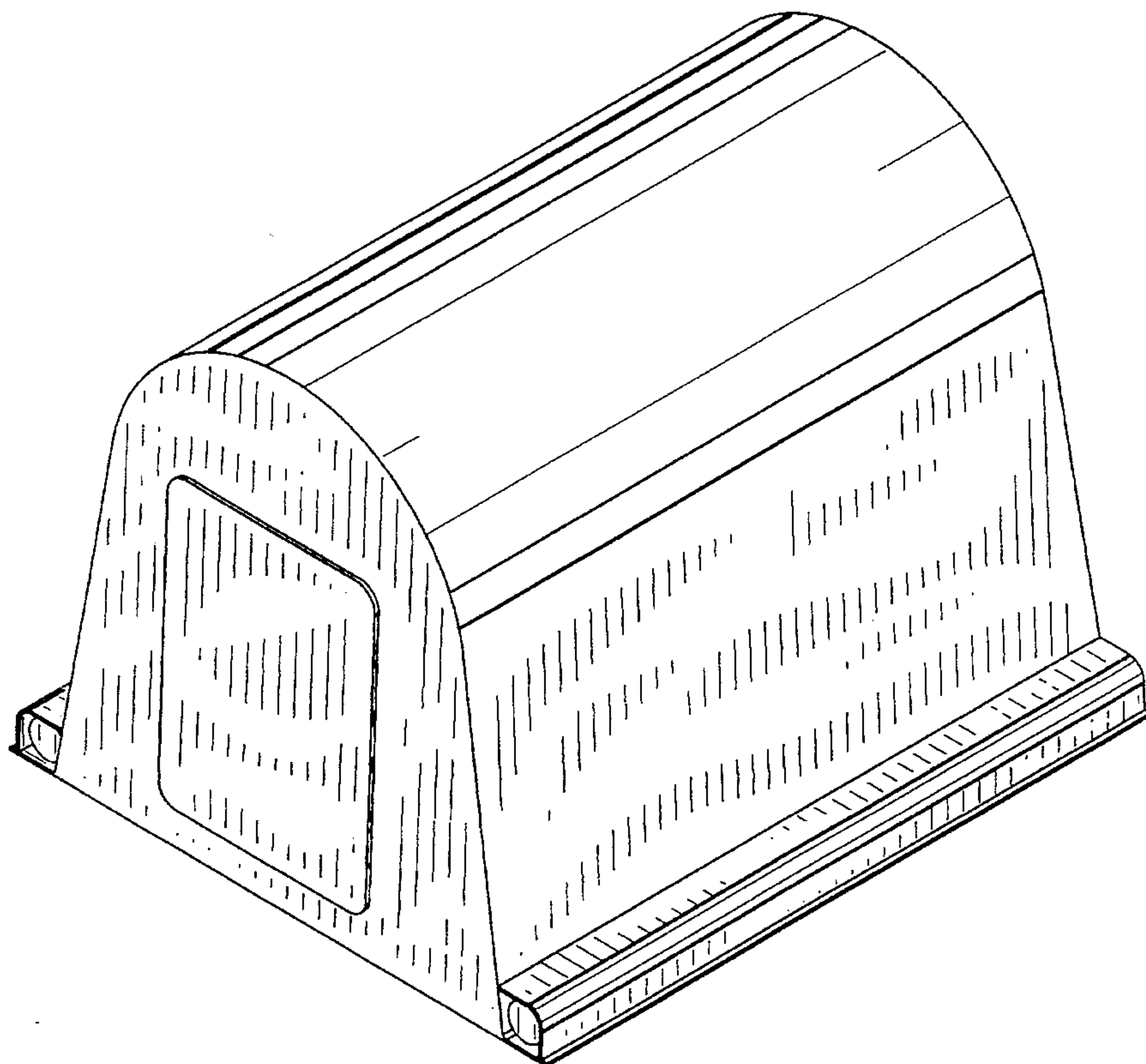
FIG. 10 is a rear elevation view of the embodiment of FIG. 8;

FIG. 11 is a side view in elevation of the embodiment of FIG. 8 as seen from the left side;

FIG. 12 is a side view in elevation of the embodiment of FIG. 8 as seen from the right side;

FIG. 13 is a plan view of the embodiment of FIG. 8; and, FIG. 14 is a bottom view of the embodiment of FIG. 8.

1 Claim, 8 Drawing Sheets



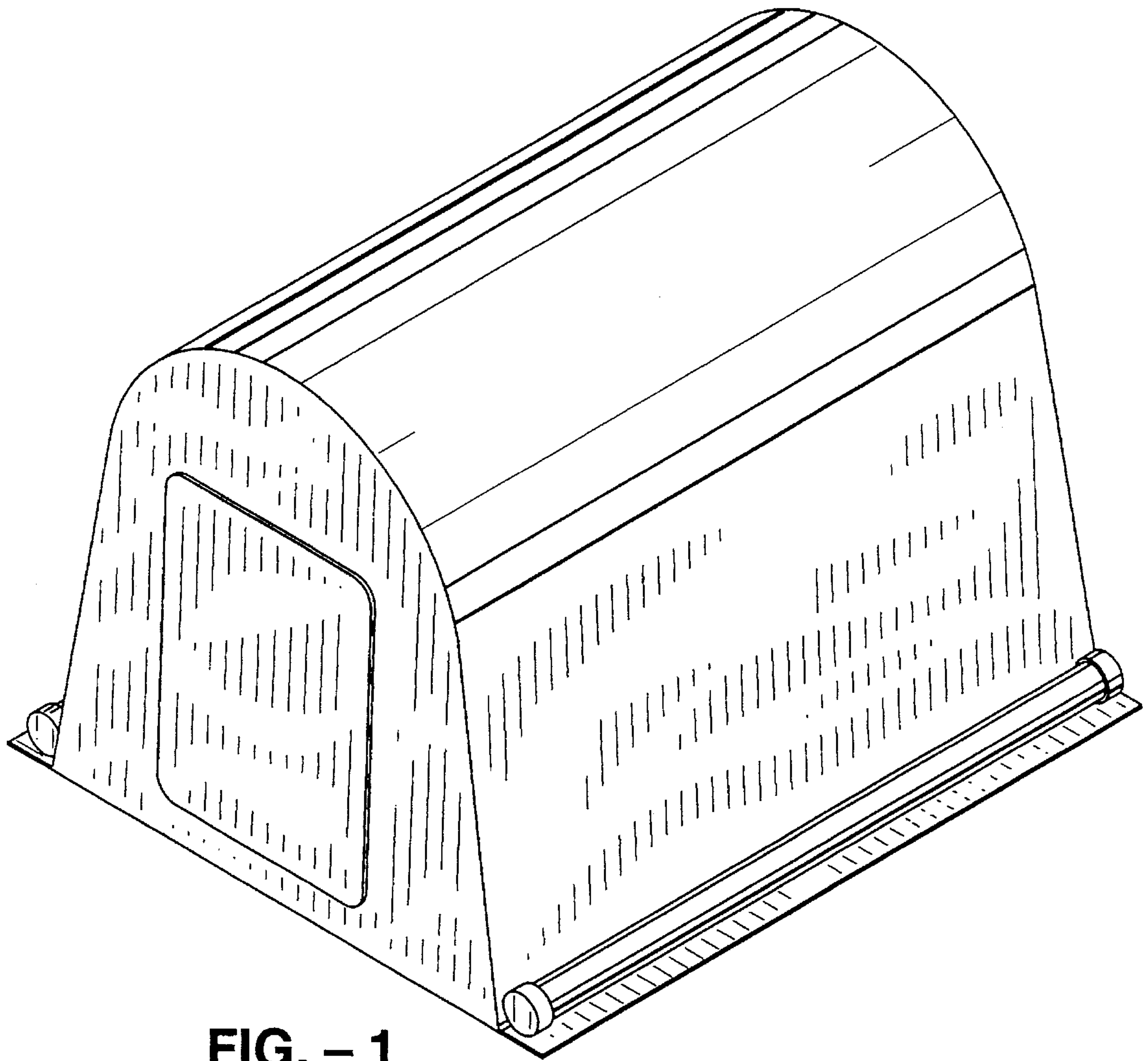


FIG. - 1

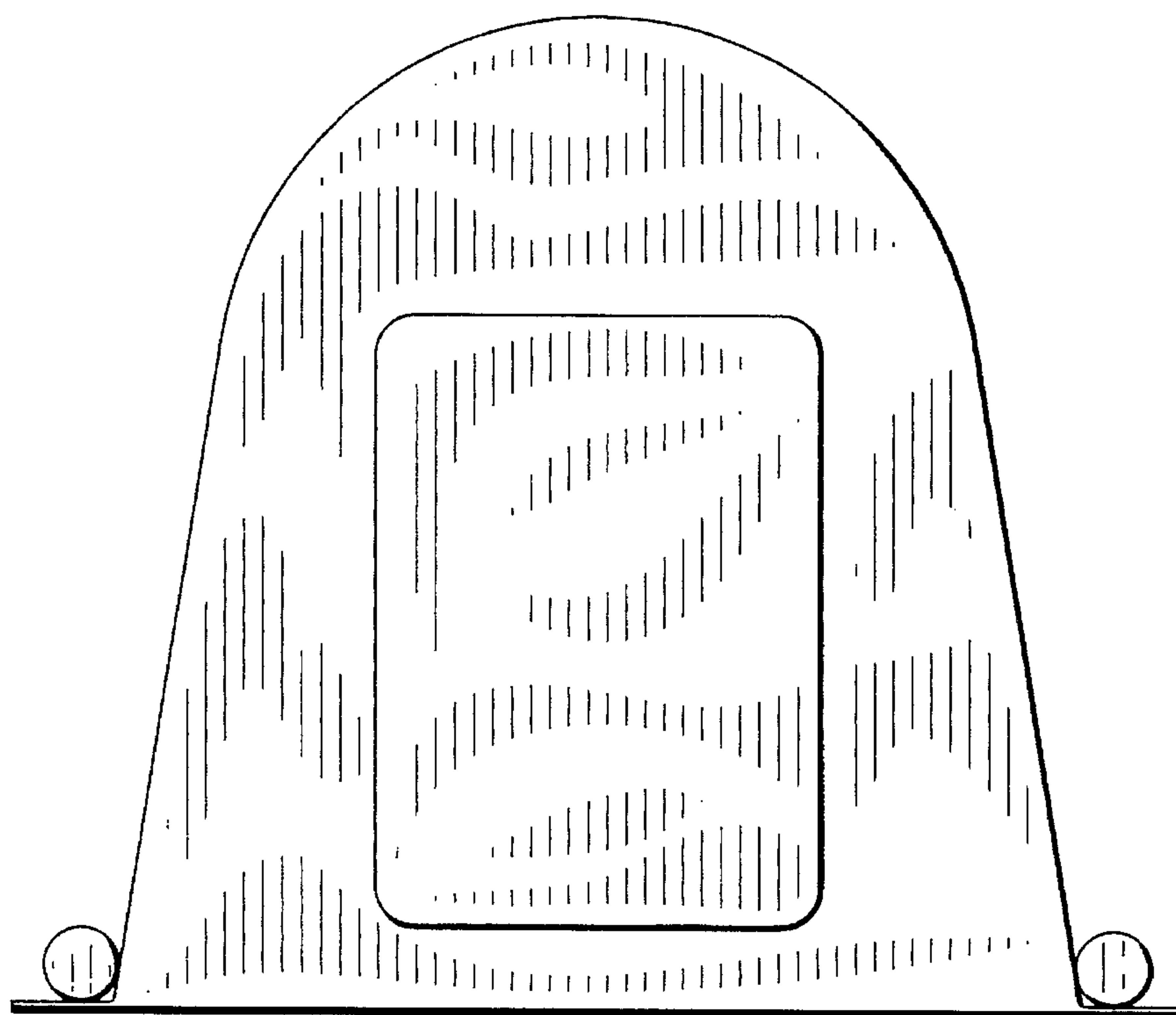


FIG. - 2

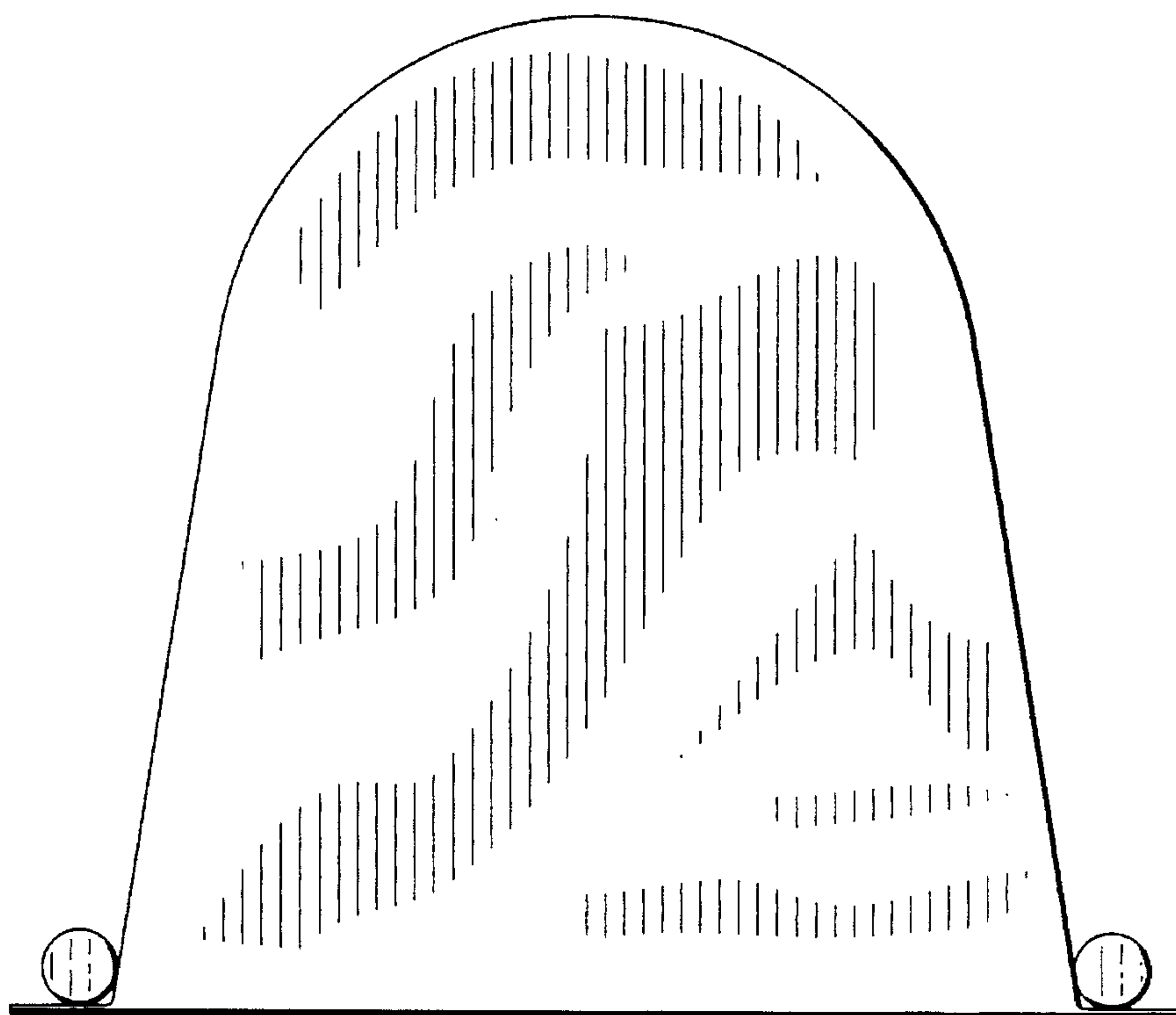


FIG. - 3

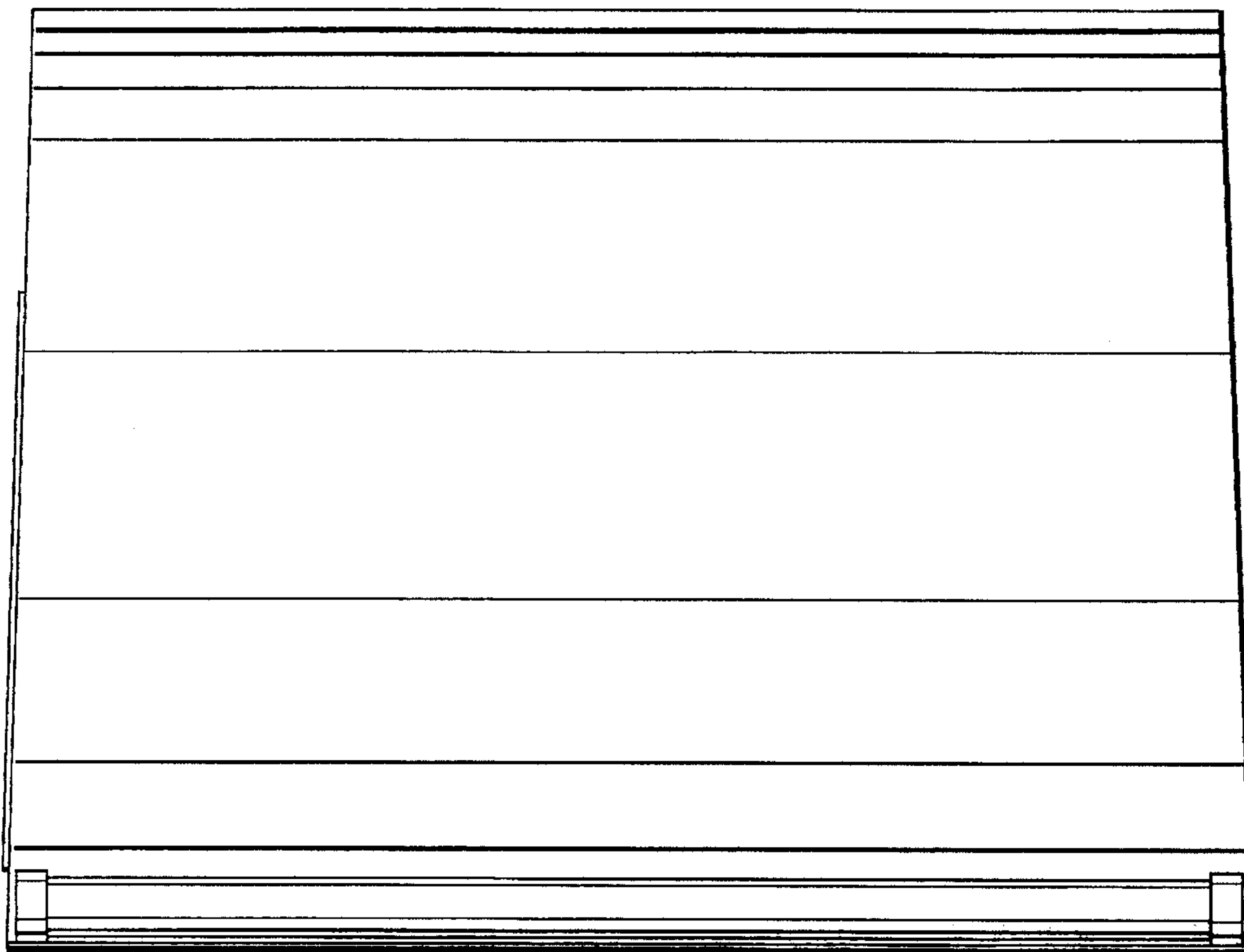


FIG. - 4

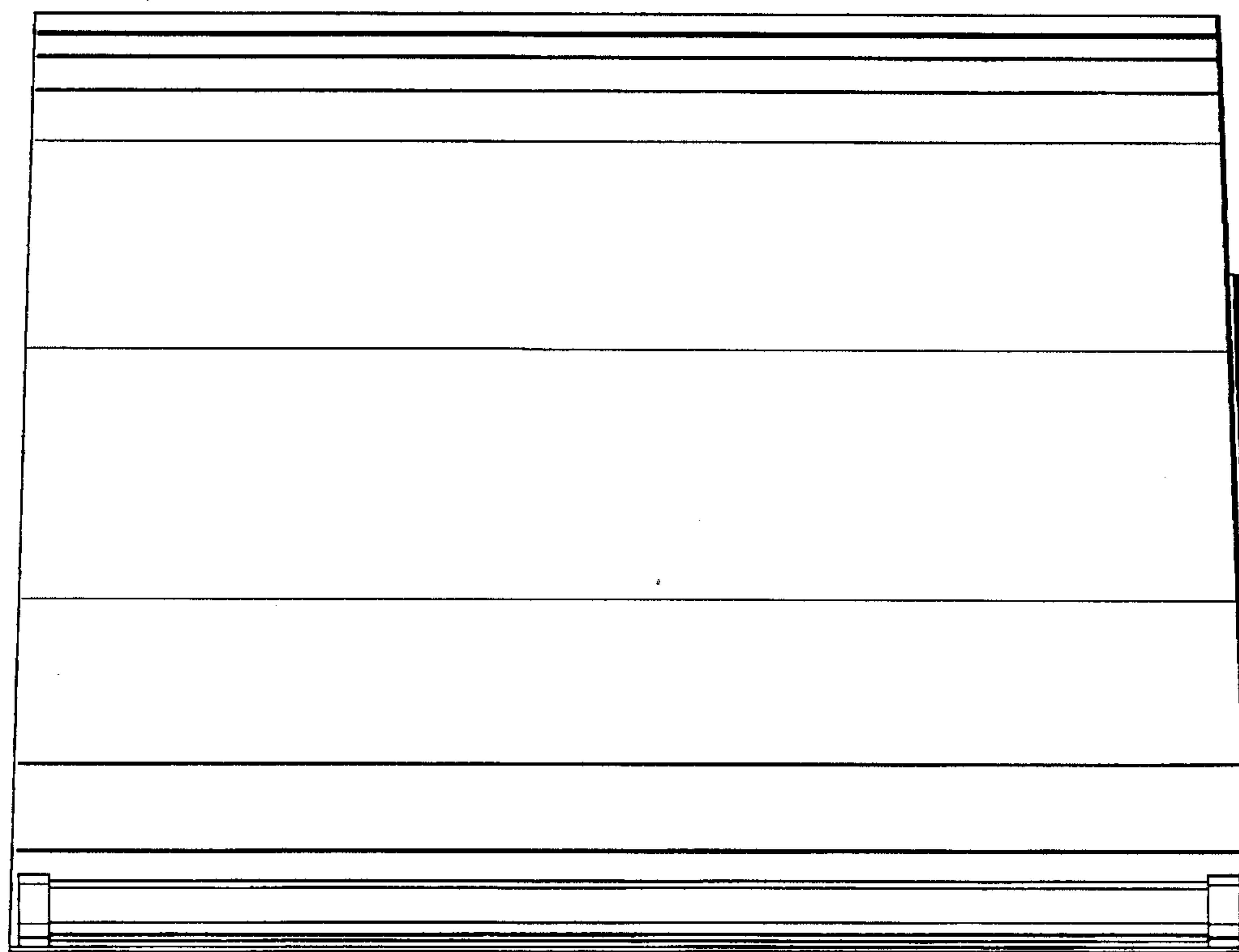


FIG. - 5

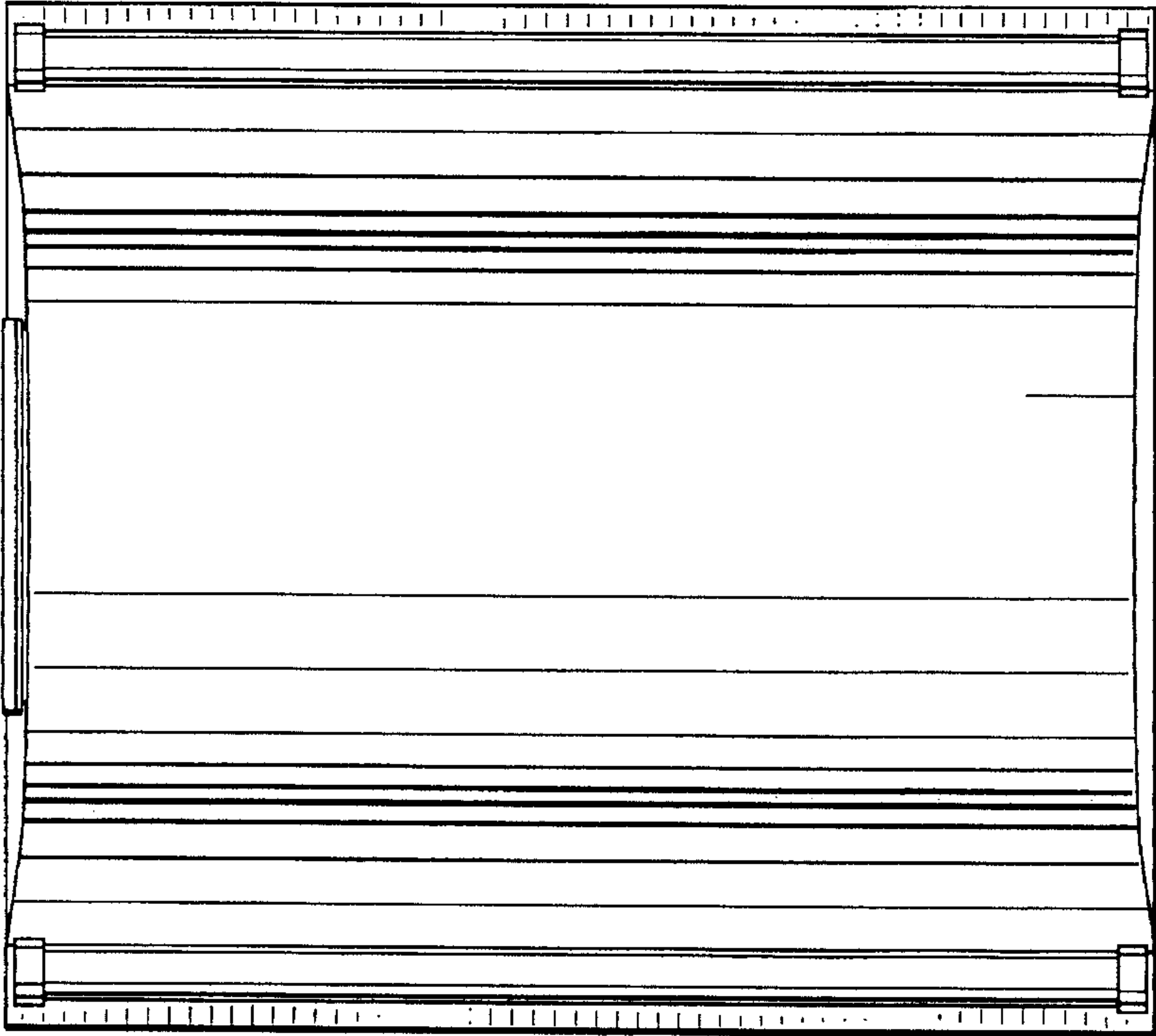


FIG. - 6

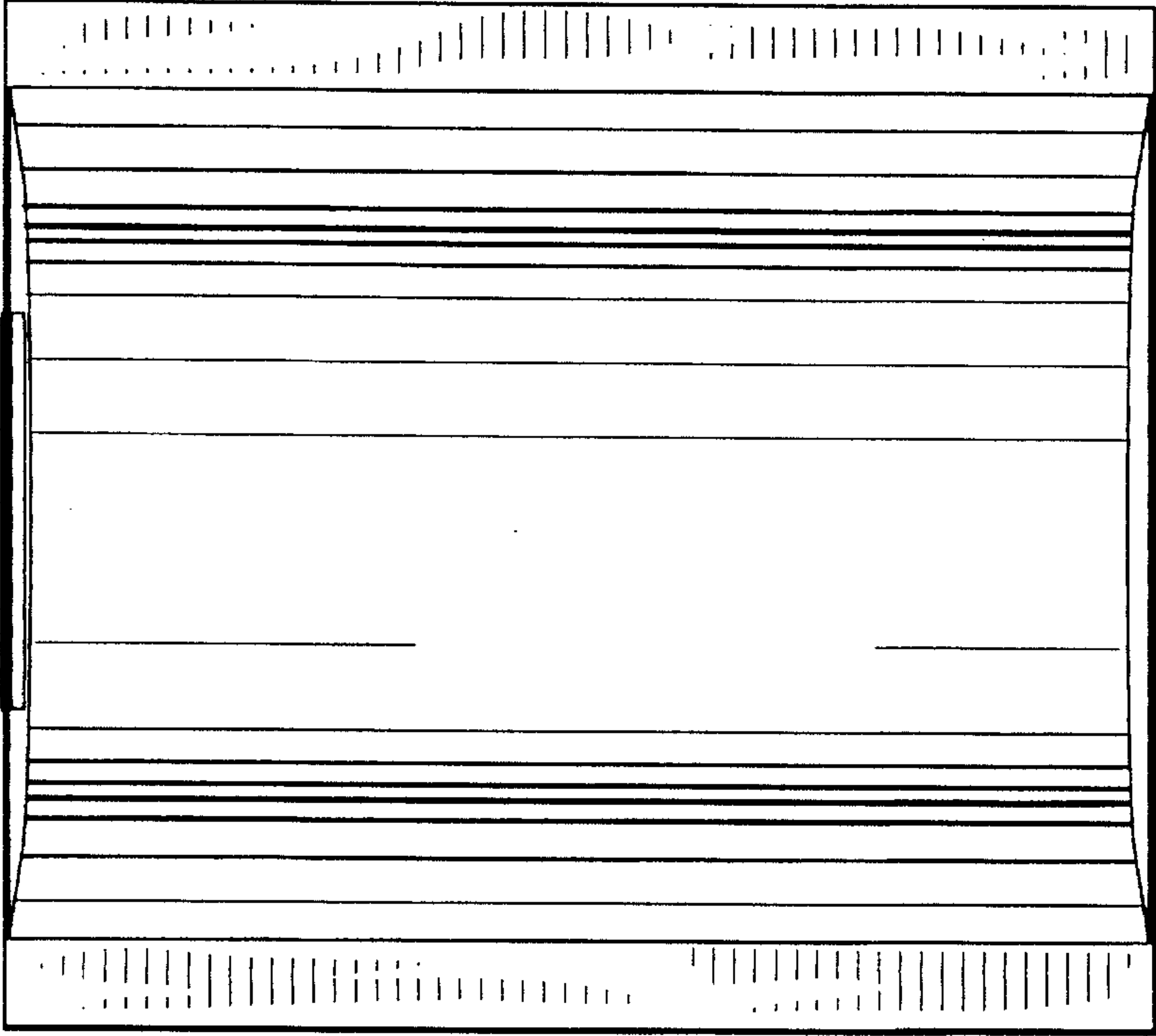


FIG. - 7

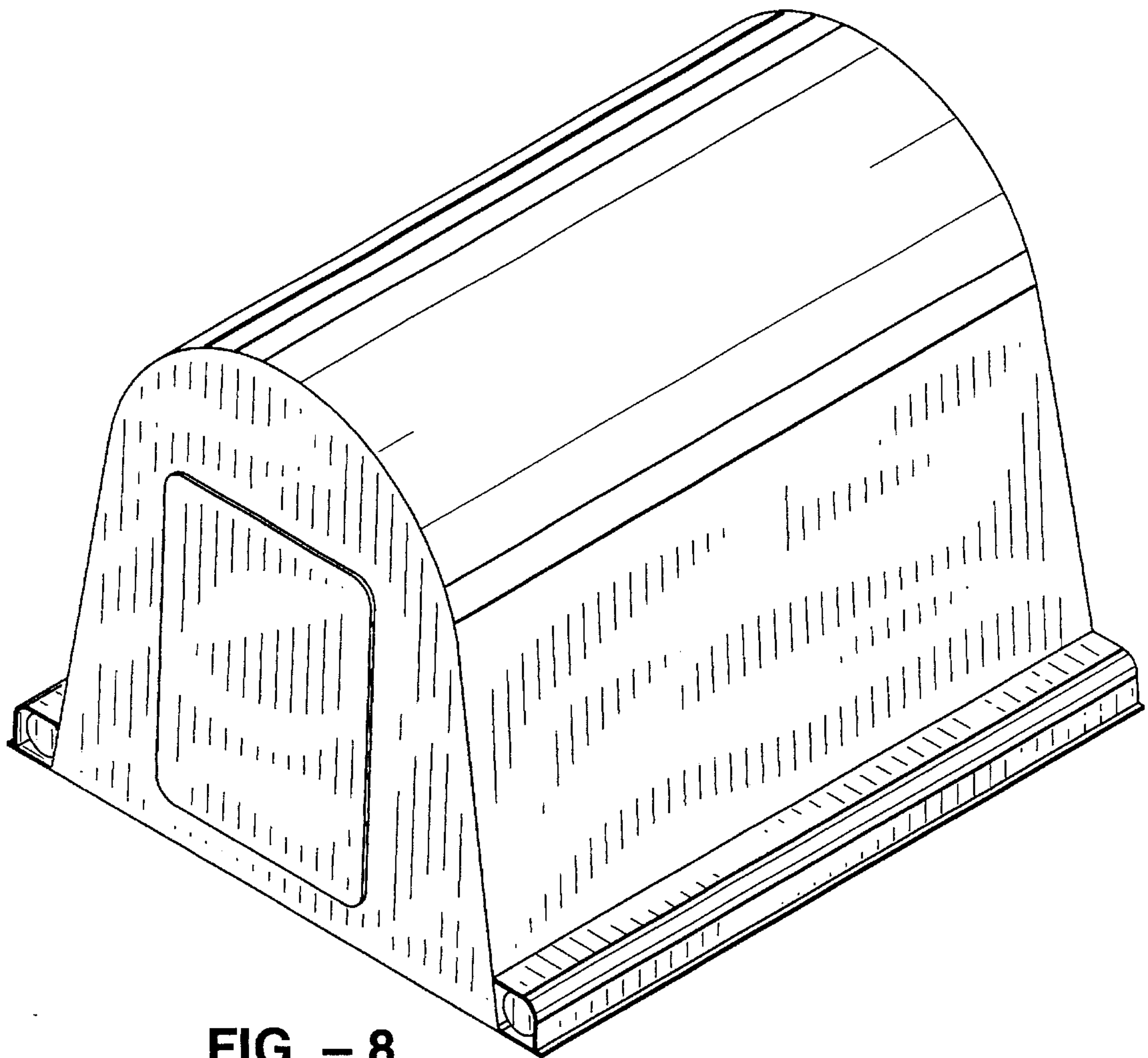


FIG. - 8

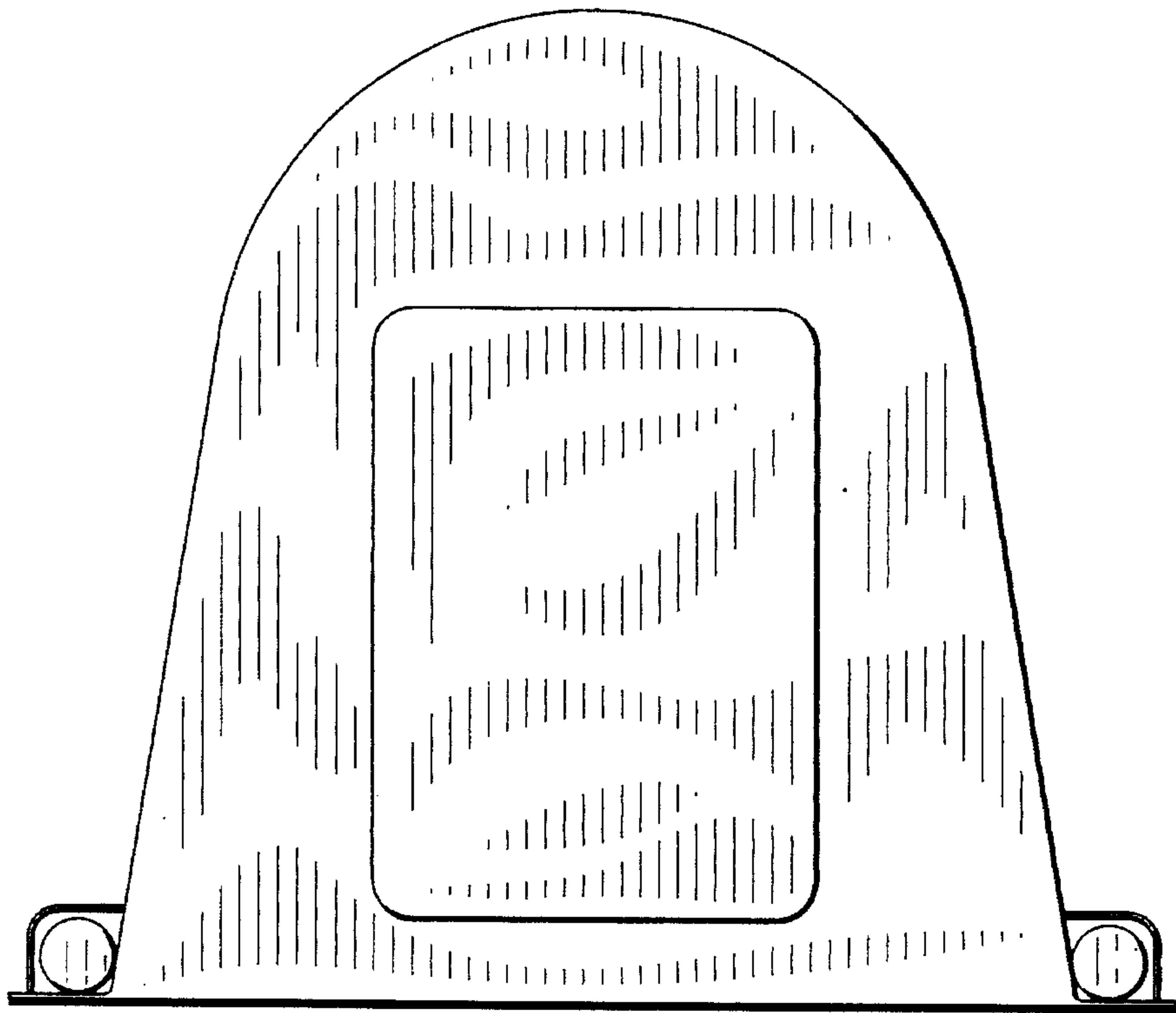


FIG. - 9

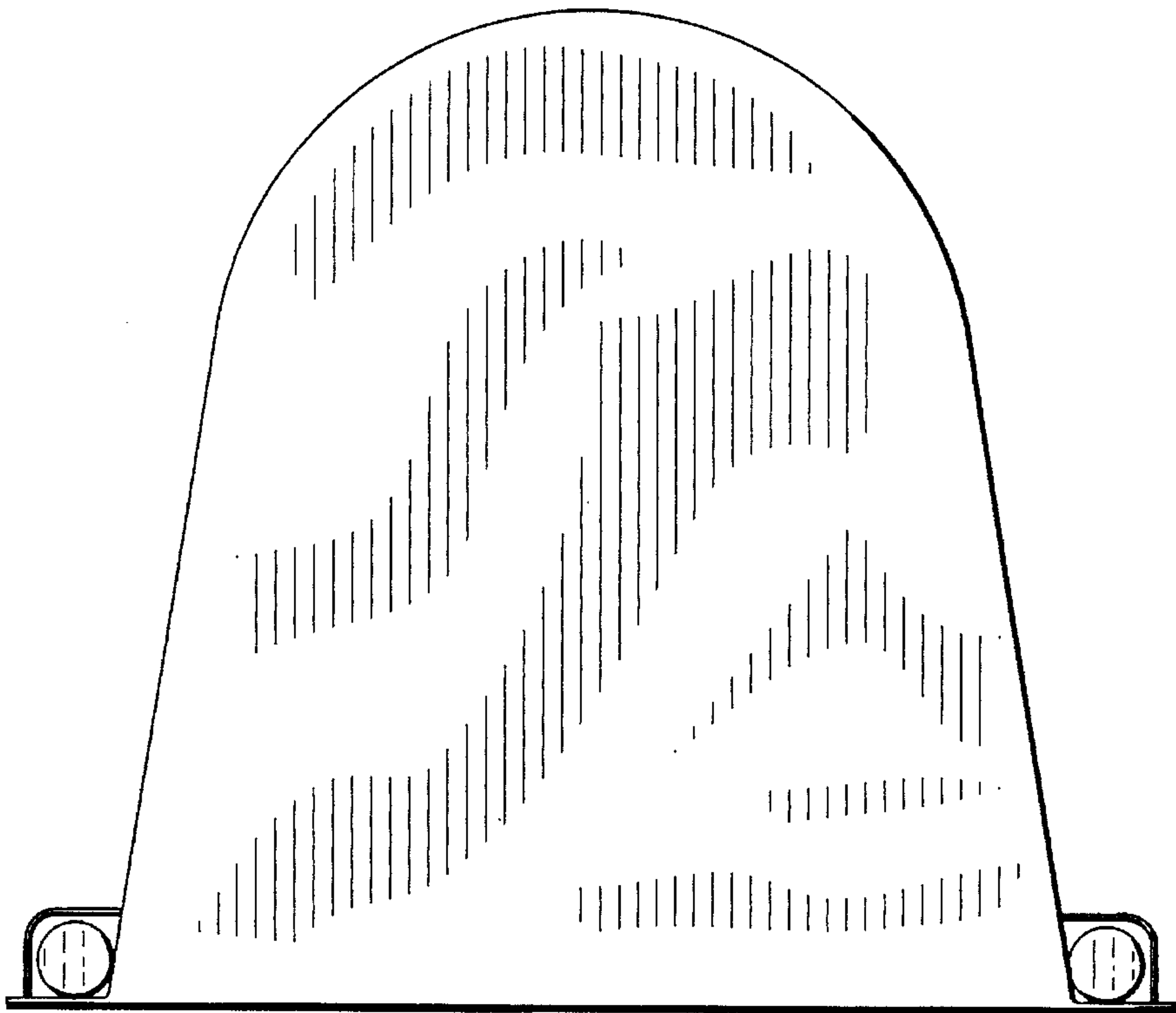


FIG. - 10



FIG. - 11

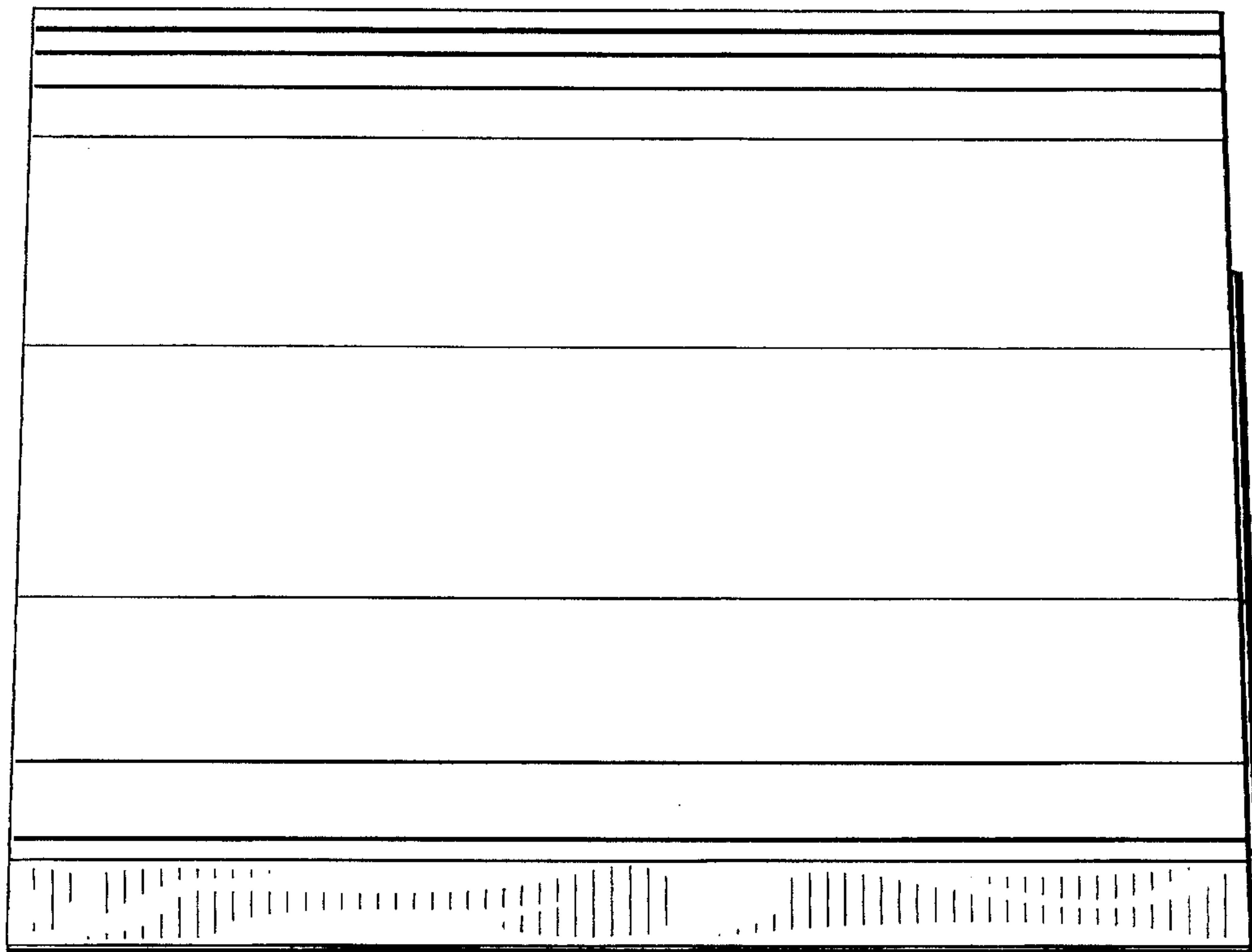


FIG. - 12

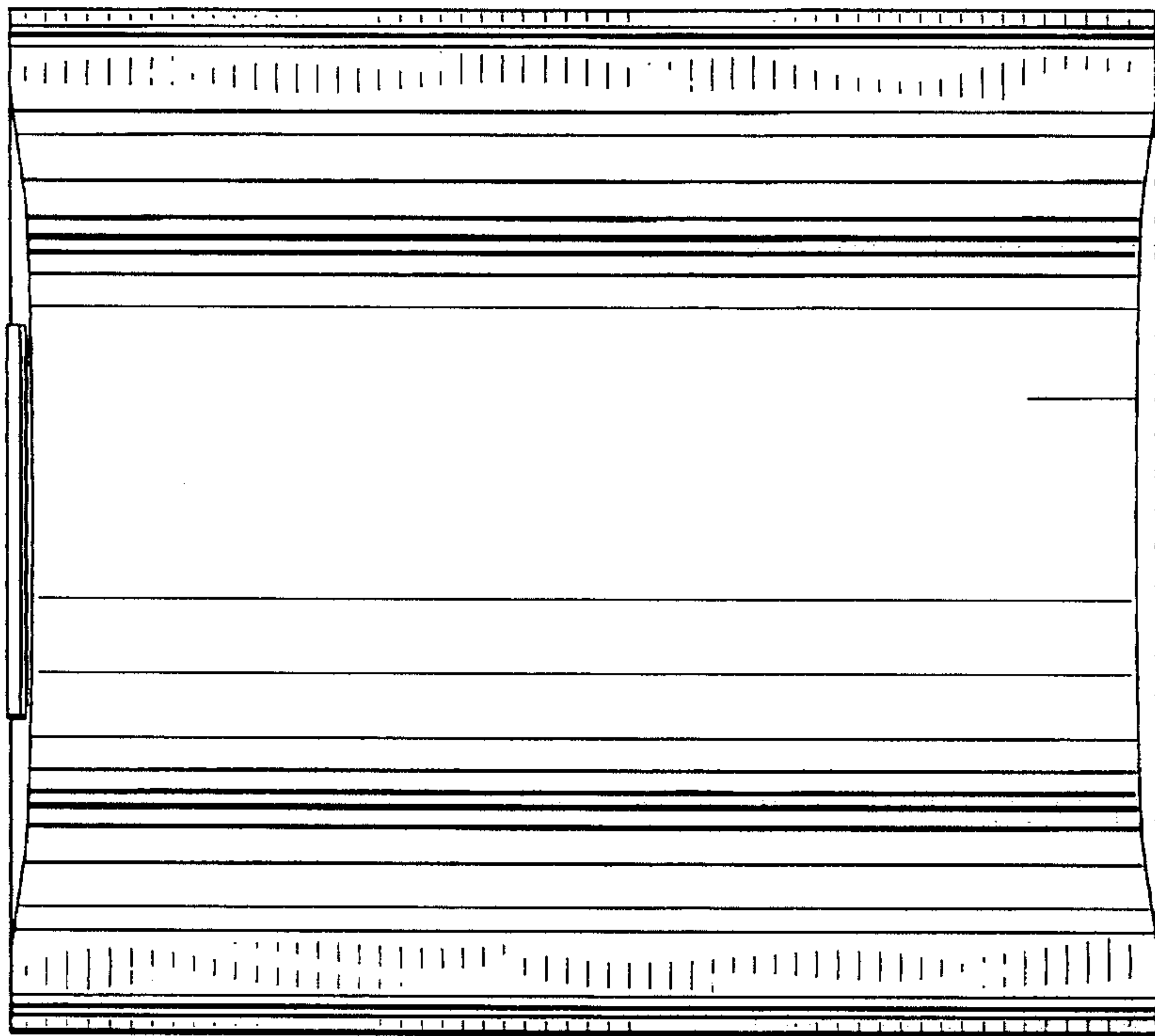


FIG. - 13

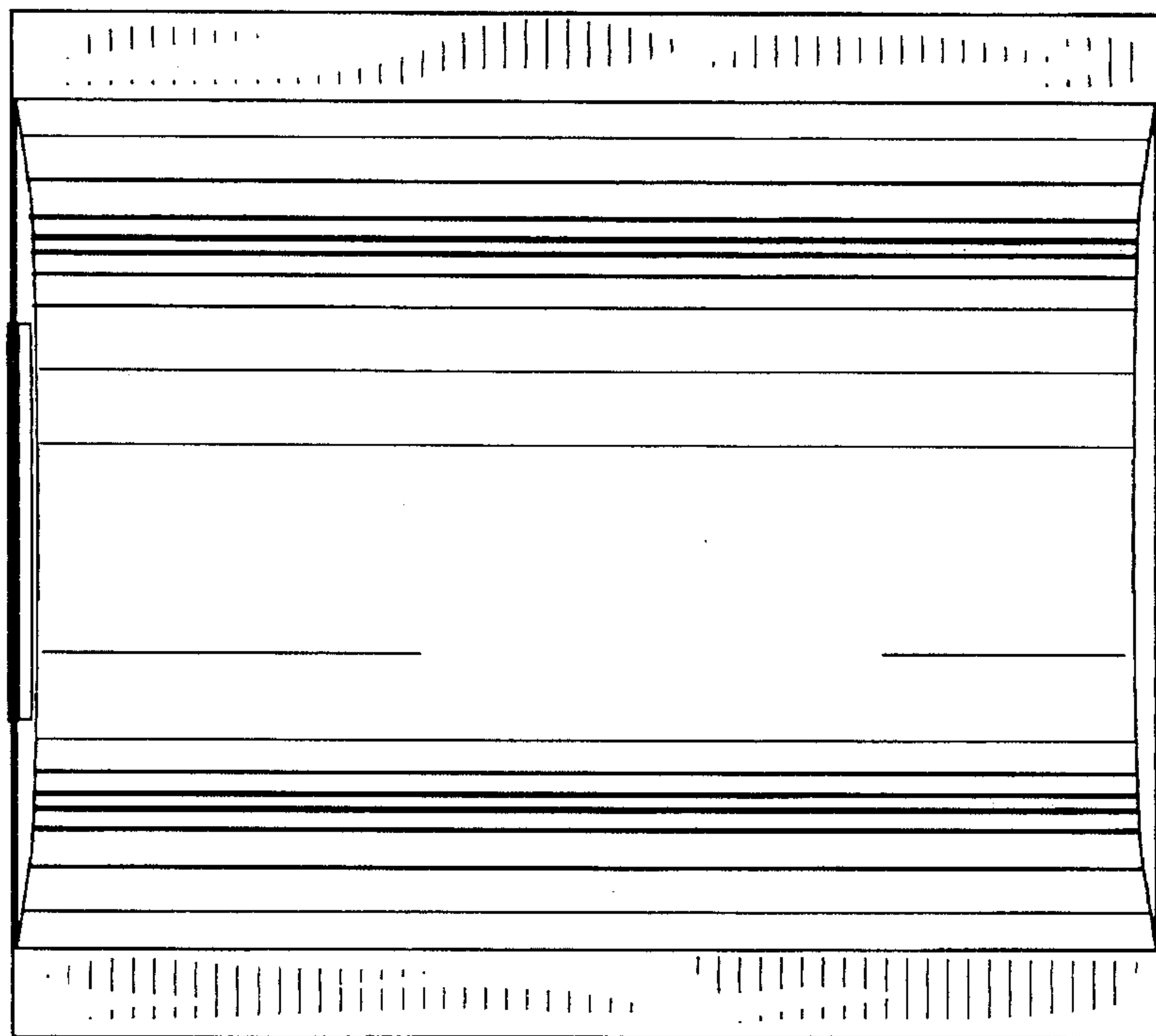


FIG. - 14