



US00D373425S

# United States Patent [19]

**Palmisano et al.**

[11] **Patent Number: Des. 373,425**

[45] **Date of Patent: \*\*Sep. 3, 1996**

[54] **COMBINED BACK EXERCISER AND MASSAGER**

[75] Inventors: **Londi A. Palmisano**, 3645 Vinton Ave., #5, Los Angeles, Calif. 90034; **John S. Erickson**, Chaska, Minn.

[73] Assignee: **Londi A. Palmisano**, Torrance, Calif.

[\*\*] Term: **14 Years**

[21] Appl. No.: **44,622**

[22] Filed: **Sep. 27, 1995**

### Related U.S. Application Data

[63] Continuation of Ser. No. 27,645, Aug. 26, 1994, abandoned.

[52] U.S. Cl. .... **D24/211**

[58] Field of Search ..... D24/211, 212, D24/213, 215, 200; 601/115, 122, 131, 134, 135, 136

### [56] References Cited

#### U.S. PATENT DOCUMENTS

- D. 138,340 7/1944 Cox ..... D24/211
- D. 287,405 12/1986 Nakao et al. .... D24/211
- D. 299,862 2/1989 Norrid ..... D24/211

- D. 340,528 10/1993 Broney ..... D24/215
- 2,219,624 10/1940 Dixon ..... 272/57
- 2,303,922 12/1942 Elmquist ..... 272/57
- 4,218,093 8/1980 Gertz ..... 297/439
- 4,241,949 12/1980 Parker ..... 297/3

*Primary Examiner*—Stella Reid

*Attorney, Agent, or Firm*—Merchant, Gould, Smith, Edell, Welter & Schmidt, P.A.

### [57] CLAIM

The ornamental design for a combined back exerciser and massager, as shown and described.

### DESCRIPTION

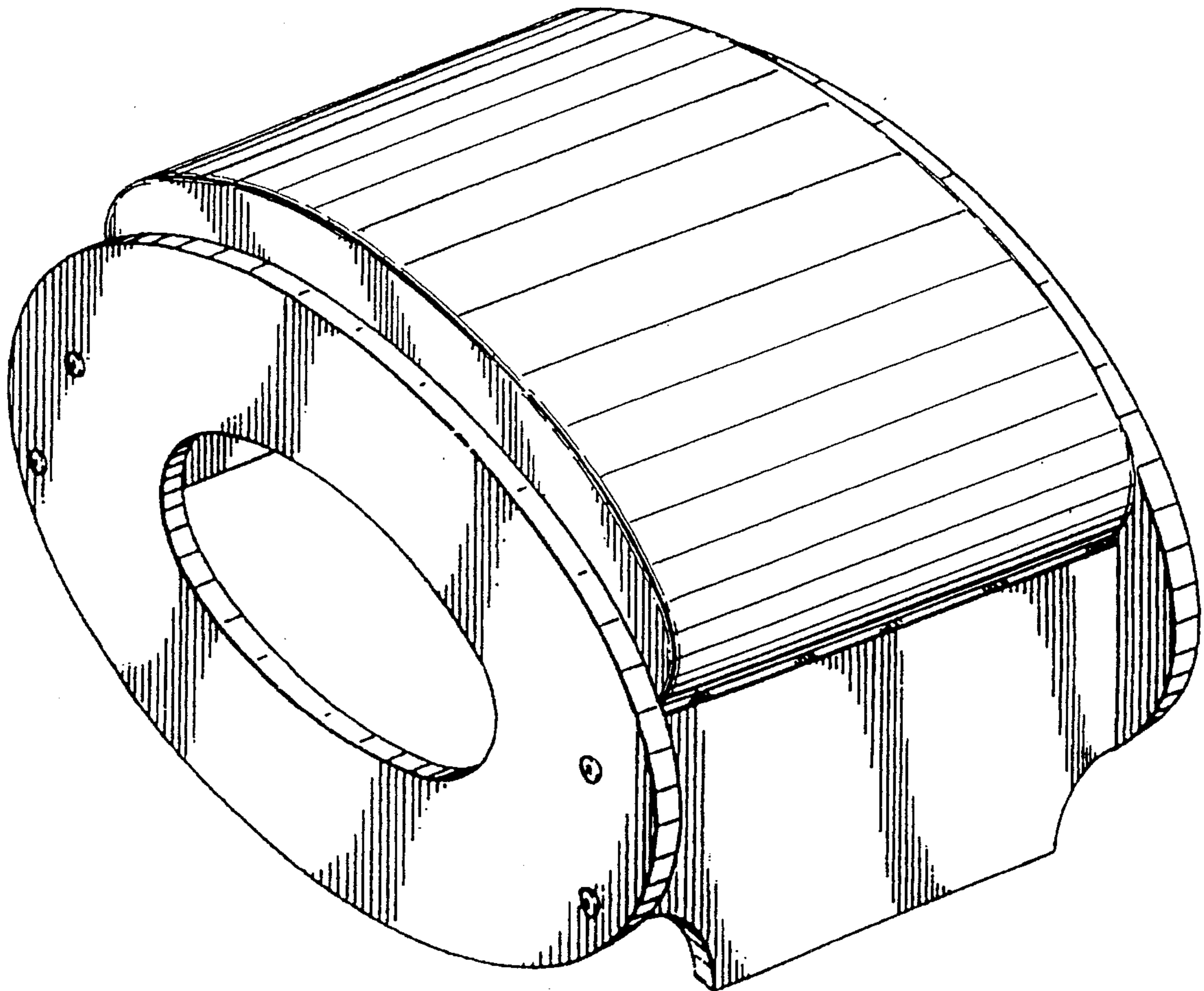
FIG. 1 is a perspective view of a combined back exerciser and massager showing our new design;

FIG. 2 is a top plan view of the combined back exerciser and massager of FIG. 1, the bottom plan view being plain and unornamented;

FIG. 3 is a right side elevational view of the combined back exerciser and massager of FIG. 1, the left side elevational view being symmetrical thereto; and,

FIG. 4 is a front elevational view of the combined back exerciser and massager of FIG. 1, the rear elevational view being symmetrical thereto.

**1 Claim, 3 Drawing Sheets**



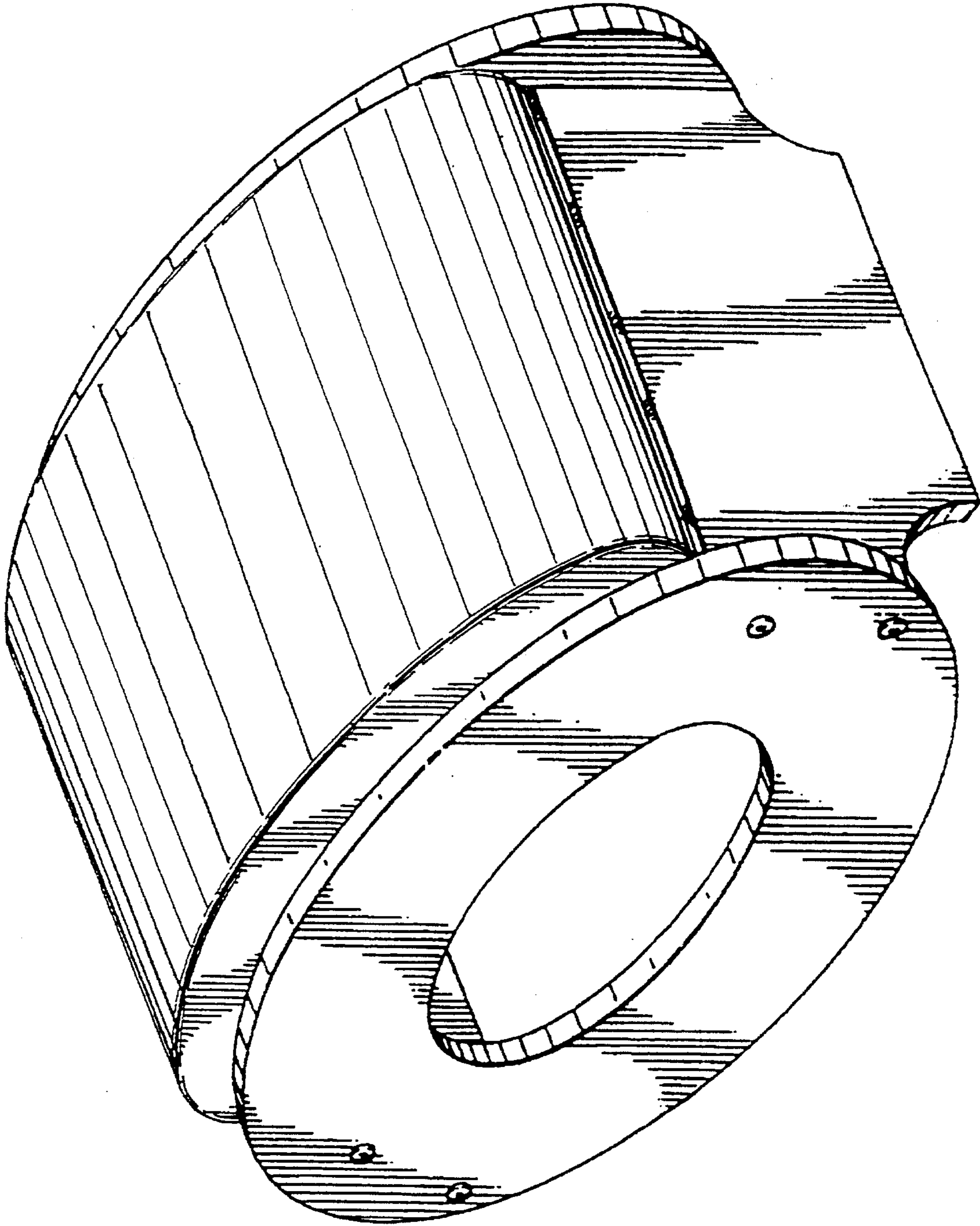


FIG. 1

FIG. 2

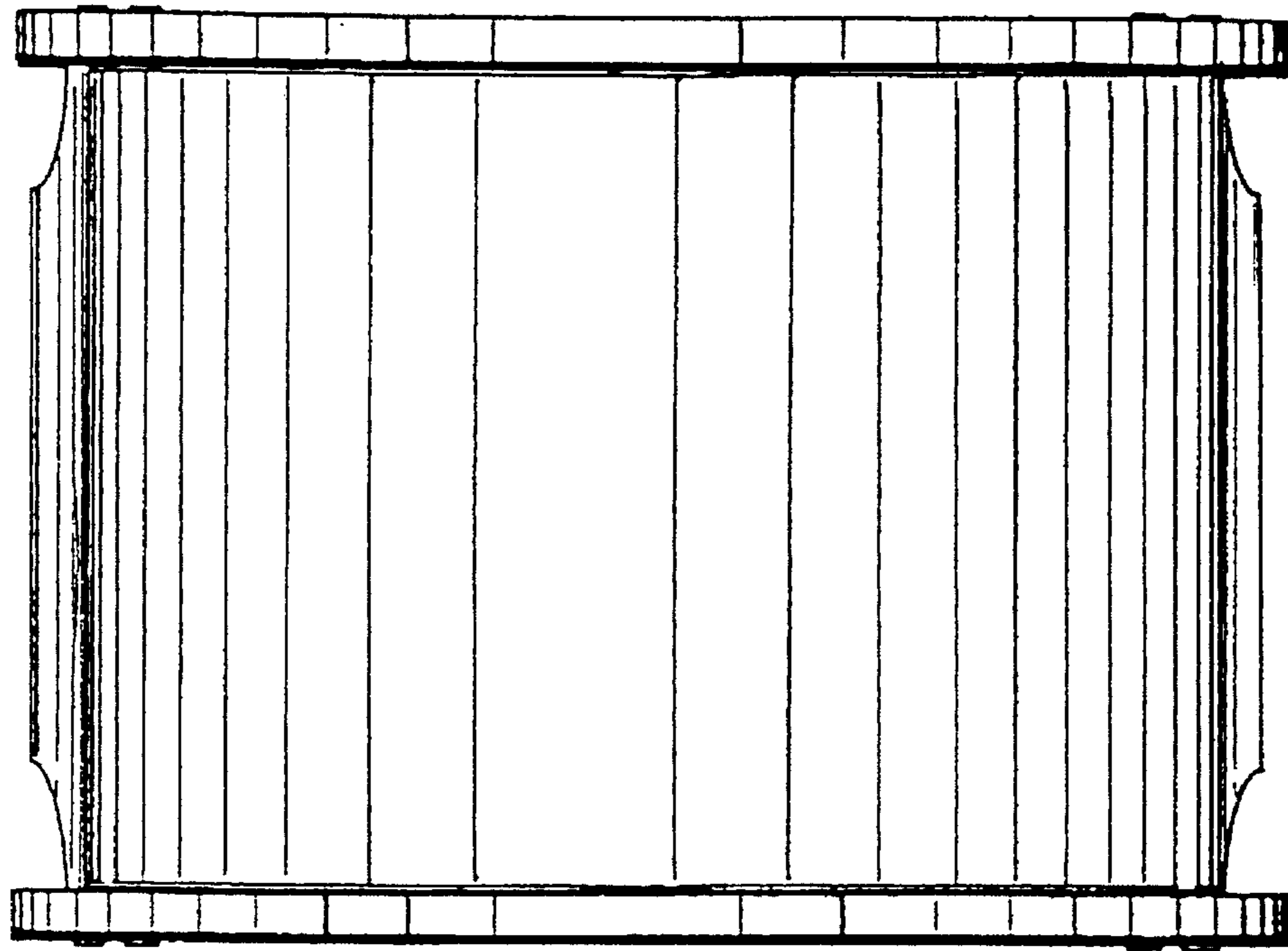


FIG. 3

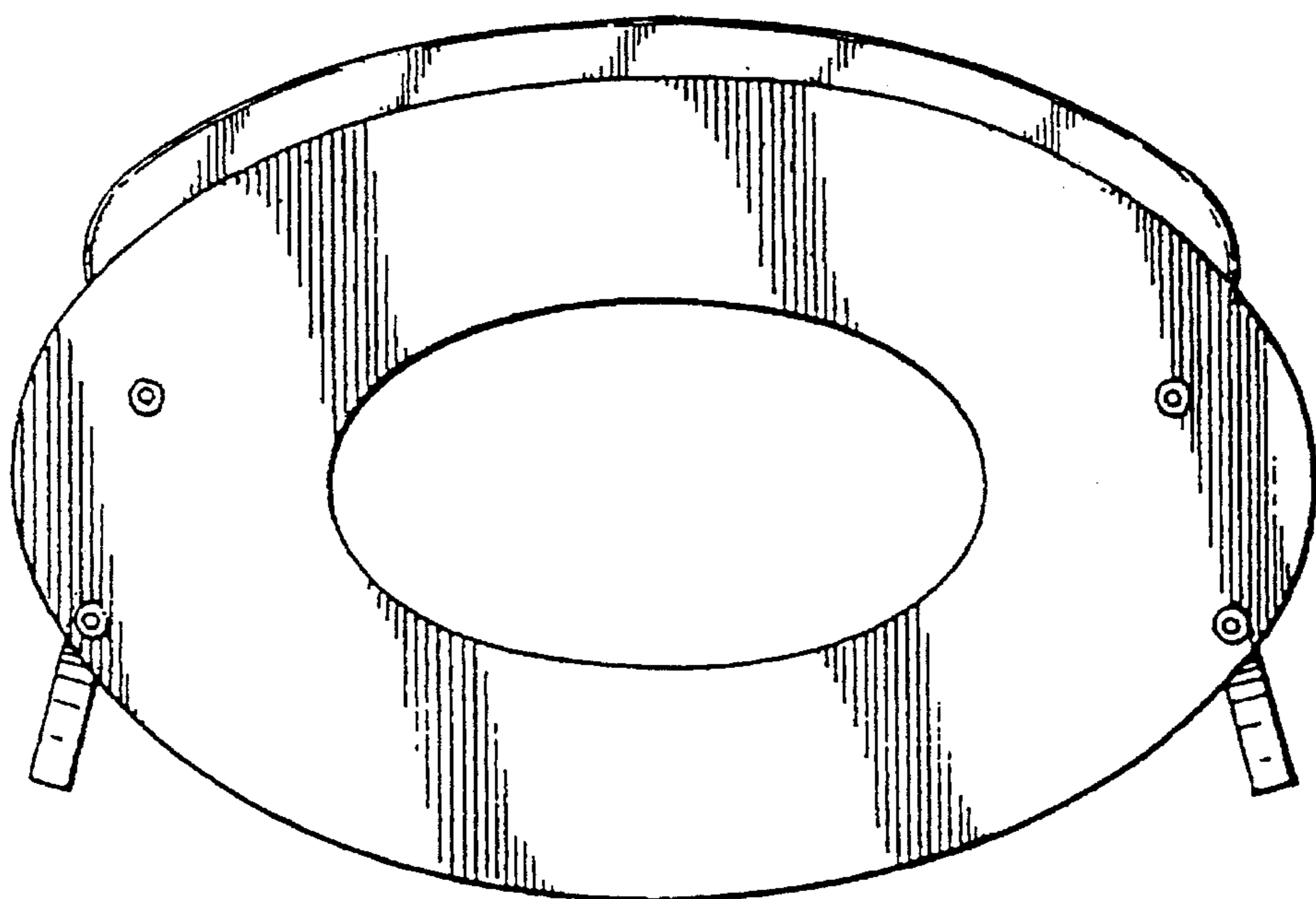


FIG. 4

