



US00D373418S

United States Patent [19]

[11] **Patent Number: Des. 373,418**

Szpak

[45] **Date of Patent: **Sep. 3, 1996**

- [54] **GASTROSTOMY DEVICE WITH OBTURATOR**
- [75] Inventor: **Anthony J. Szpak**, Parma, Ohio
- [73] Assignee: **Applied Medical Technology, Inc.**, Independence, Ohio
- [**] Term: **14 Years**
- [21] Appl. No.: **31,618**
- [22] Filed: **Dec. 1, 1994**
- [52] U.S. Cl. **D24/112**
- [58] Field of Search D24/107, 108, D24/111, 112, 115, 134, 138; 604/98, 101, 104, 105, 119, 178, 280, 170, 174, 175, 179, 270

- 5,007,900 4/1991 Picha et al. .
- 5,084,014 1/1992 Picha et al. .
- 5,248,302 9/1993 Patrick et al. 604/178
- 5,413,565 5/1995 Michels et al. 604/175 X
- 5,484,420 1/1996 Russo 604/178

Primary Examiner—B. J. Bullock
Assistant Examiner—Linda Brooks
Attorney, Agent, or Firm—Pearne, Gordon, McCoy & Granger

[57] **CLAIM**

The ornamental design for a gastrostomy device with obturator, as shown and described.

DESCRIPTION

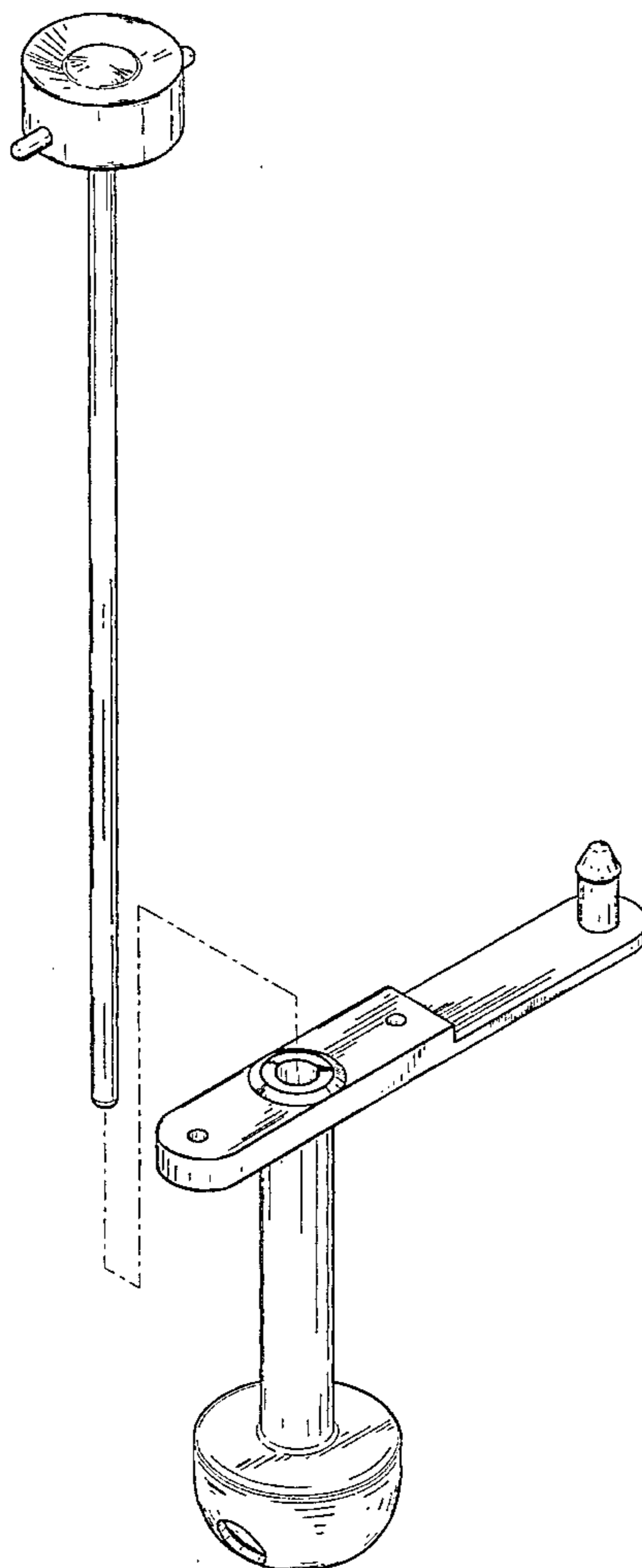
FIG. 1 is an exploded perspective view of a gastrostomy device with obturator, showing my new design; FIG. 2 is a right side elevational view thereof; FIG. 3 is a left side elevational view thereof; FIG. 4 is a bottom plan view thereof; FIG. 5 is a top plan view thereof; FIG. 6 is a front elevational view thereof, the rear elevational view being identical thereto; and, FIG. 7 is a front elevational view of the obturator device inserted into the gastrostomy device.

1 Claim, 2 Drawing Sheets

[56] **References Cited**

U.S. PATENT DOCUMENTS

- D. 323,887 2/1992 Picha et al. D24/108
- D. 328,787 8/1992 Picha et al. D24/108
- 4,850,953 7/1989 Haber et al. .
- 4,863,438 9/1989 Gauderer et al. .
- 4,944,732 7/1990 Russo et al. .
- 4,986,810 1/1991 Semrad .



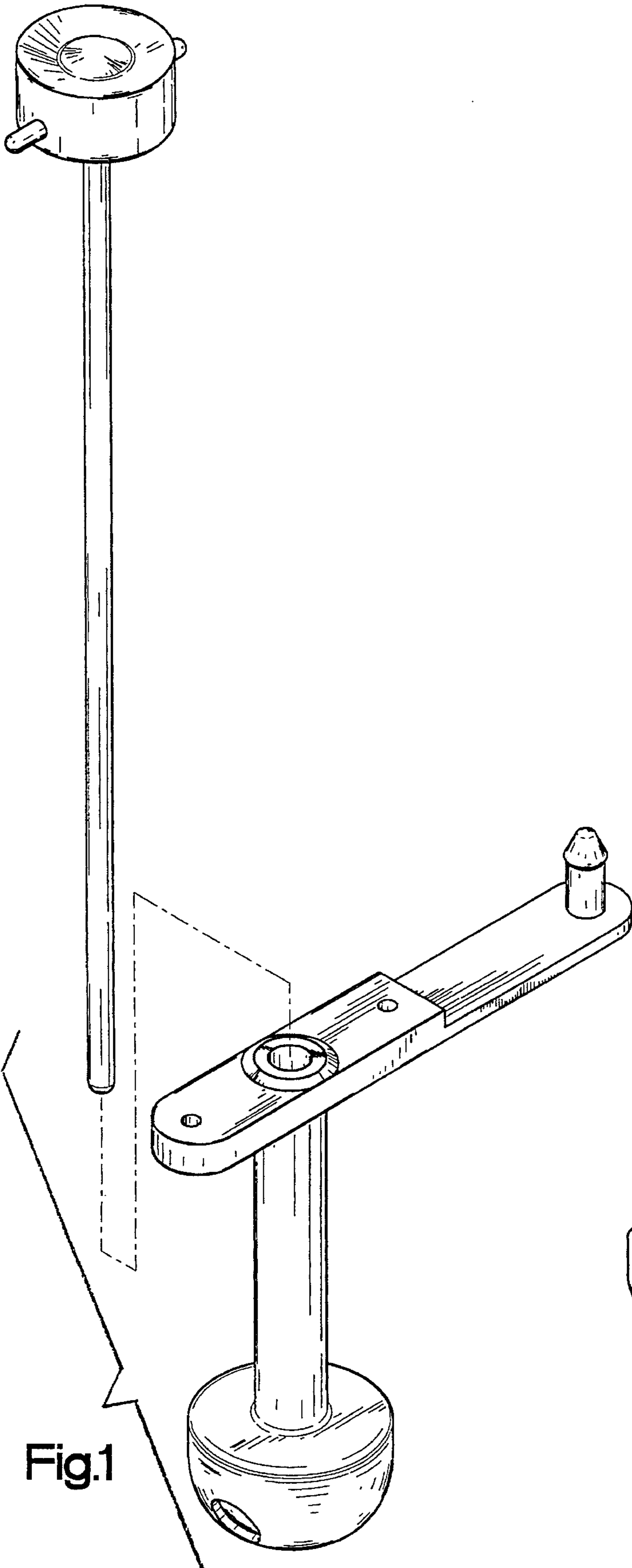


Fig.1

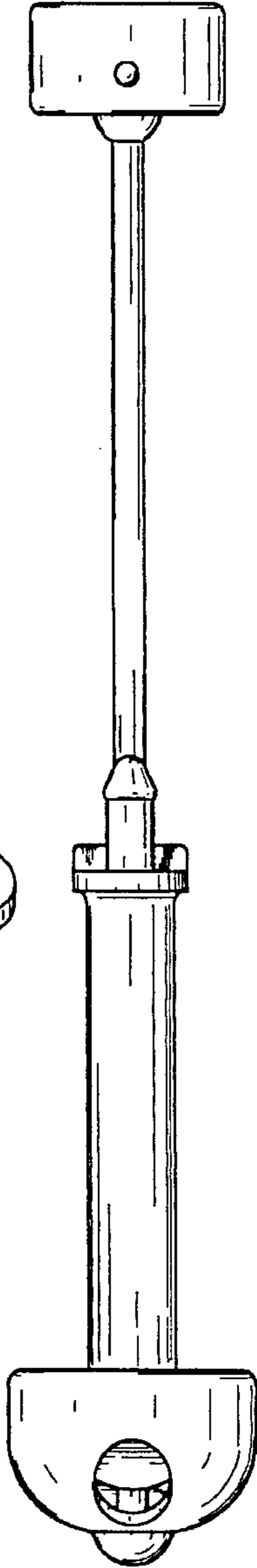


Fig.2

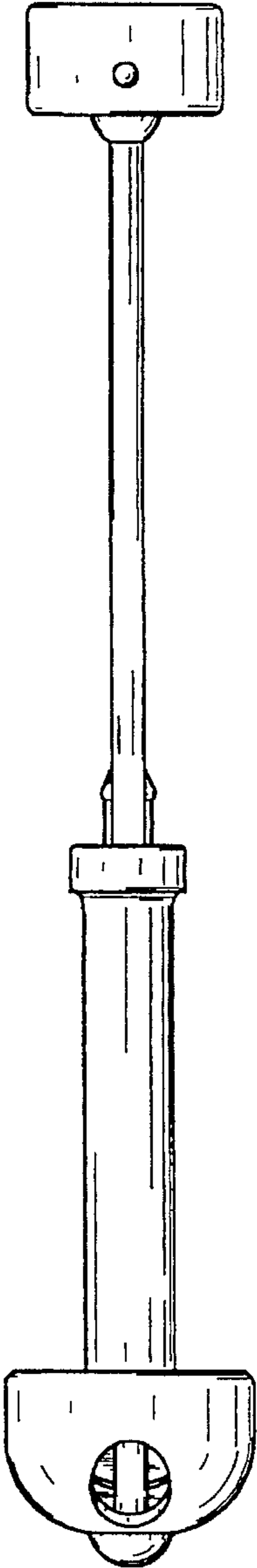


Fig.3

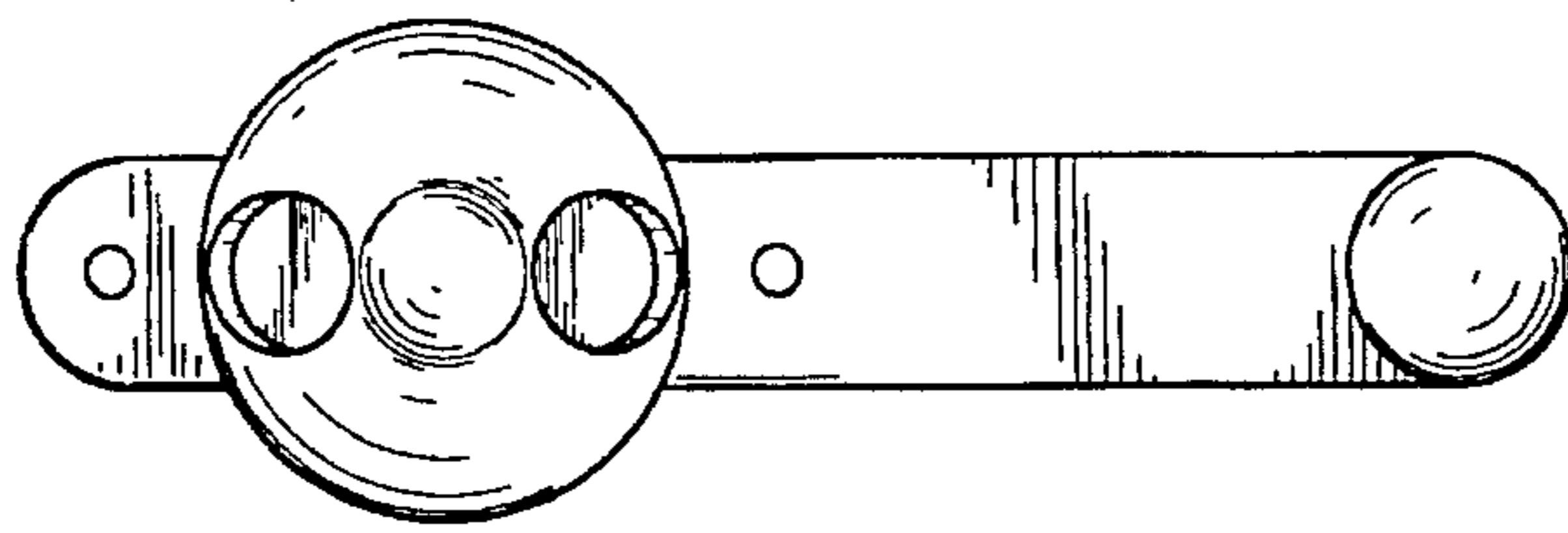


Fig.4

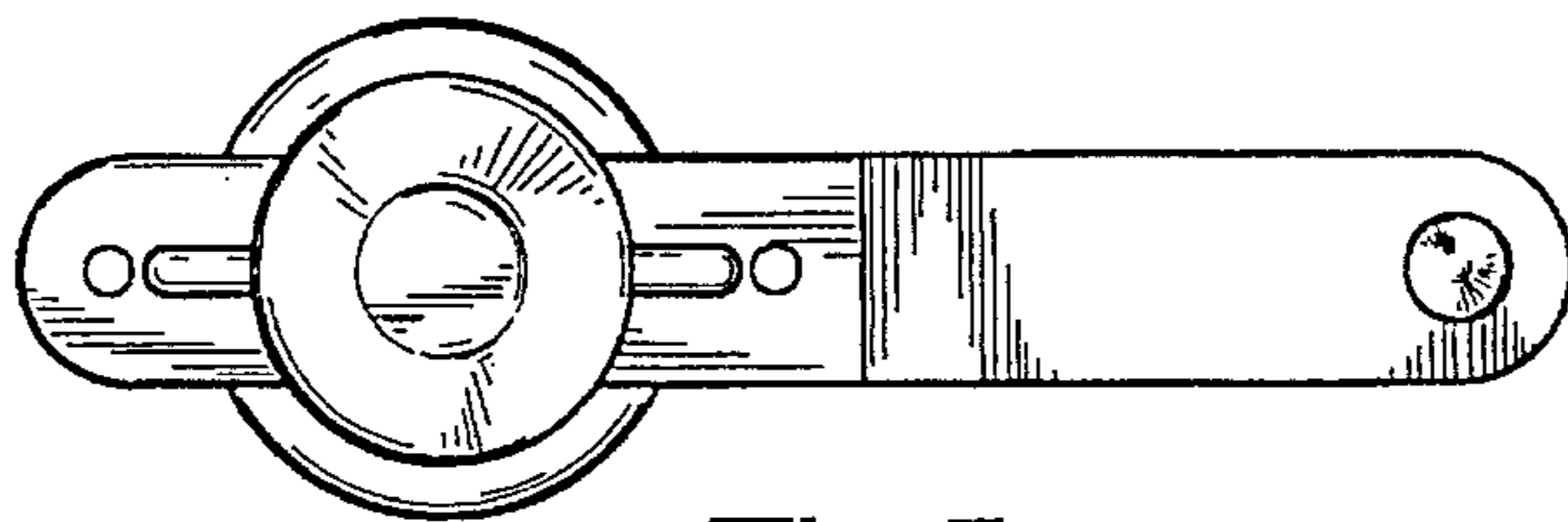


Fig.5

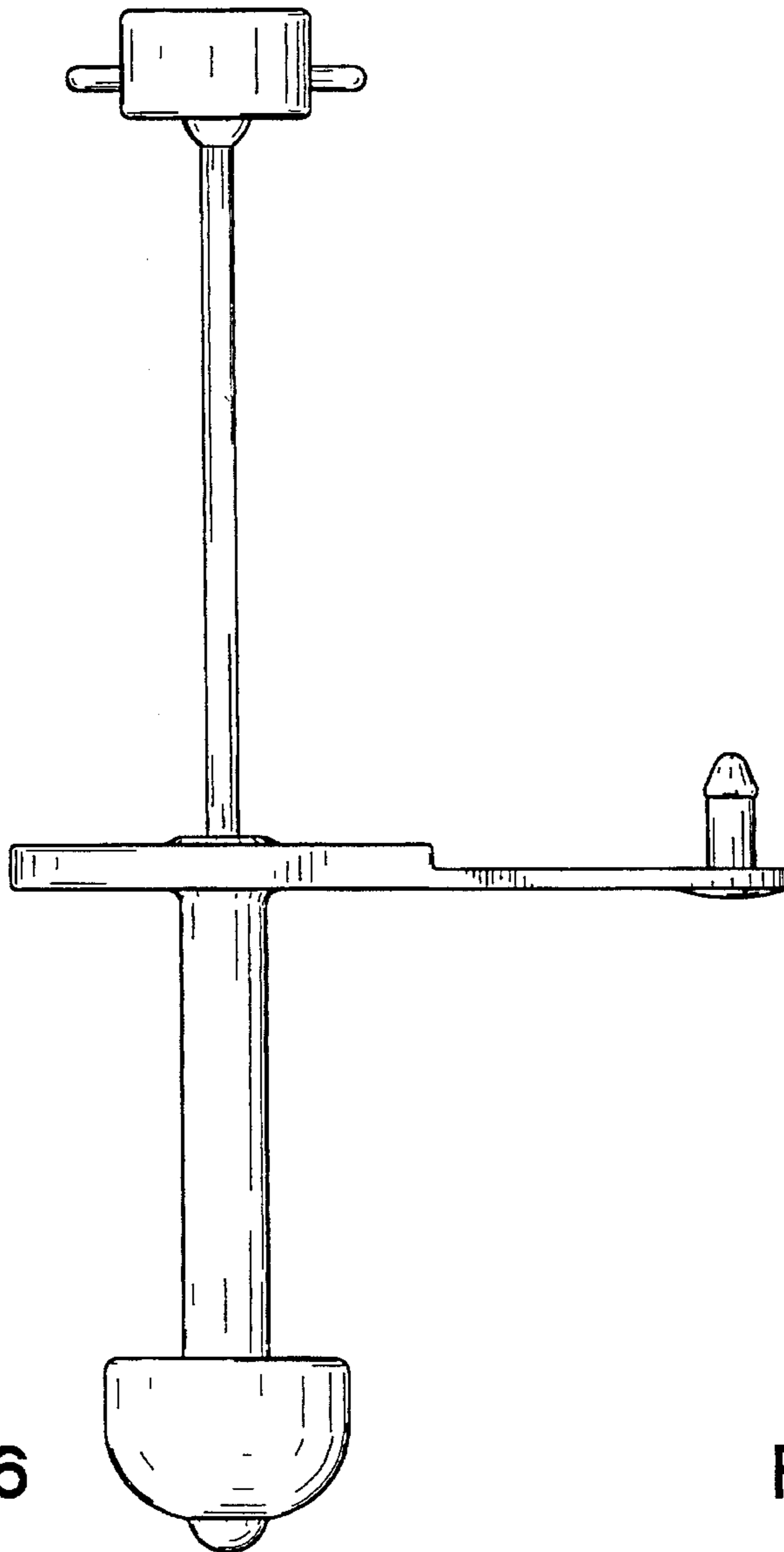


Fig.6

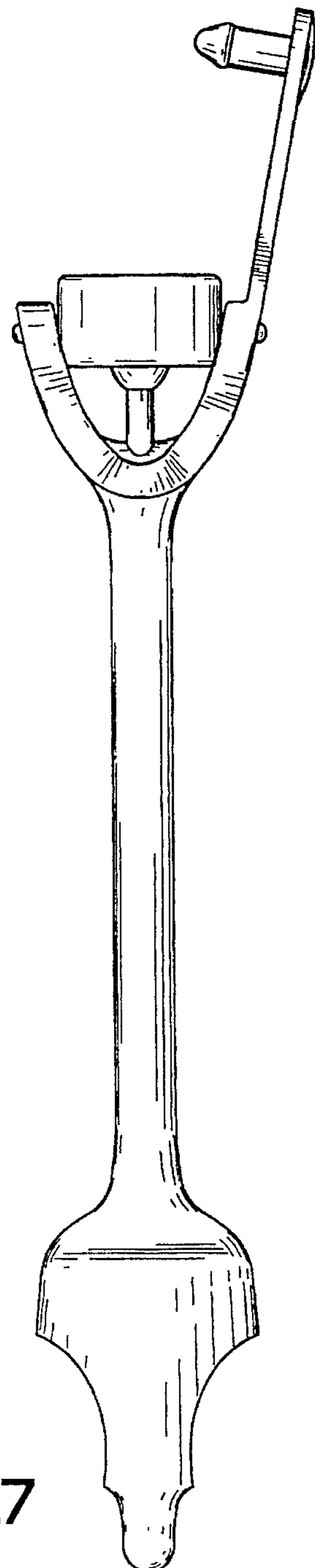


Fig.7