



US00D373415S

United States Patent [19]

[11] Patent Number: **Des. 373,415**

Thompson et al.

[45] Date of Patent: ****Sep. 3, 1996**

[54] **FRONT PANEL FOR A ROOM AIR CONDITIONER**

D. 277,309	1/1985	Yamamoto	D23/354
D. 309,179	7/1990	Choi	D23/353
D. 310,261	8/1990	Choi	D23/353
4,667,483	5/1987	Hashimoto	454/201
5,222,374	6/1993	Thompson et al.	62/262

[75] Inventors: **Christopher M. Thompson**, Nashville;
Brian J. Phillips, Smyrna, both of
Tenn.

Primary Examiner—Lisa P. Lichtenstein
Attorney, Agent, or Firm—Thomas J. Roth

[73] Assignee: **Whirlpool Corporation**, Benton
Harbor, Mich.

[57] CLAIM

[**] Term: **14 Years**

The ornamental design for a front panel for a room air conditioner, as shown.

[21] Appl. No.: **43,861**

DESCRIPTION

[22] Filed: **Sep. 13, 1995**

Related U.S. Application Data

FIG. 1 is a frontal three-quarter perspective view of a front panel for a room air conditioner showing our new design, the broken line showing of the air conditioner cabinet being for illustrative purposes only and forming no part of the claimed design;

[62] Division of Ser. No. 7,406, Apr. 22, 1993, Pat. No. Des. 365,627.

[52] U.S. Cl. **D23/354**; D23/351

FIG. 2 is a front elevational view thereof;

[58] Field of Search D23/333, 351,
D23/353, 354; 454/201-203; 62/262

FIG. 3 is a top plan view thereof;

FIG. 4 is a bottom plan view thereof;

FIG. 5 is a right side elevational view thereof;

FIG. 6 is a left side elevational view thereof; and,

FIG. 7 is a rear elevational view thereof.

[56] References Cited

U.S. PATENT DOCUMENTS

D. 263,495 3/1982 Hoyle D23/354

1 Claim, 3 Drawing Sheets

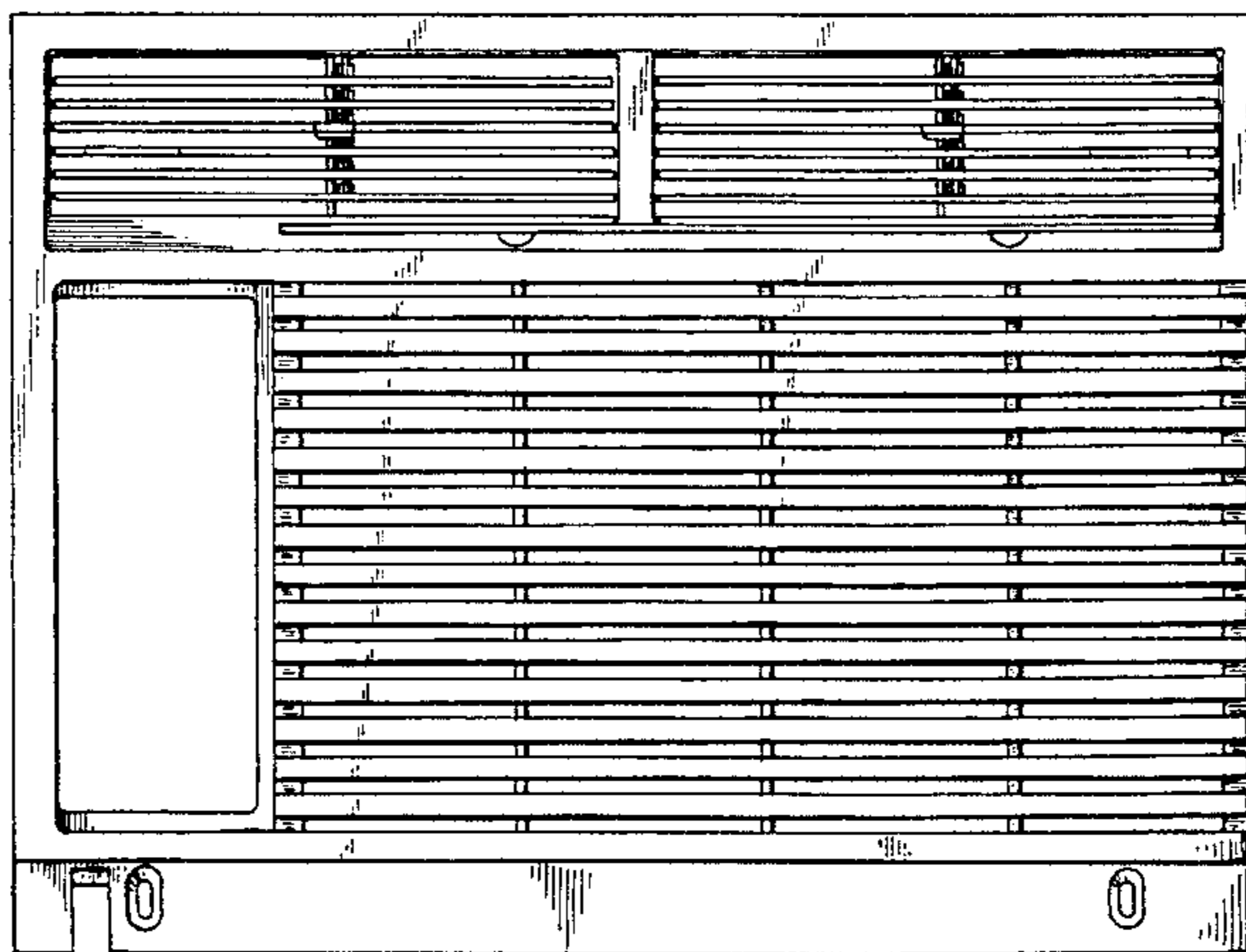
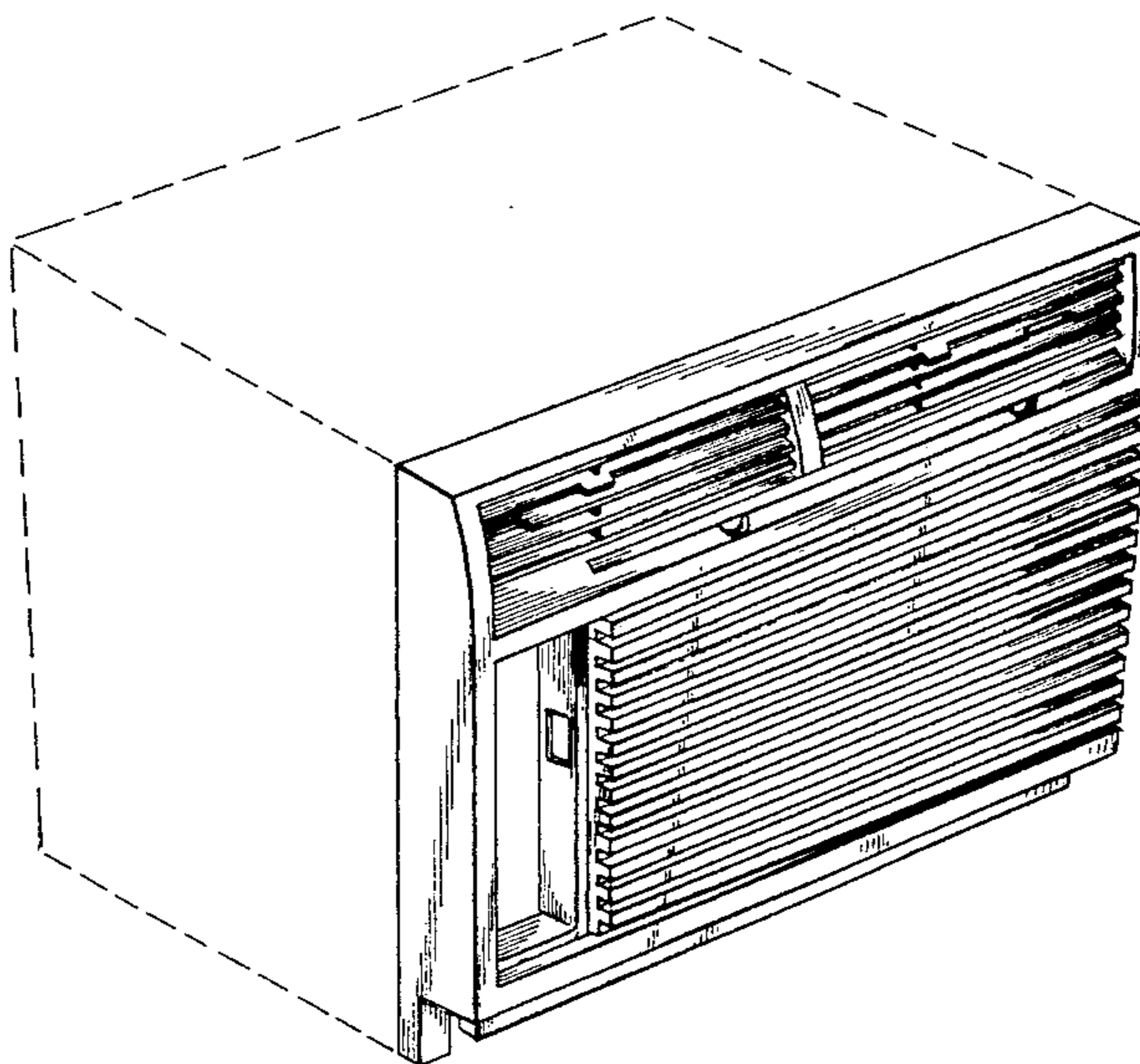


FIG. 1

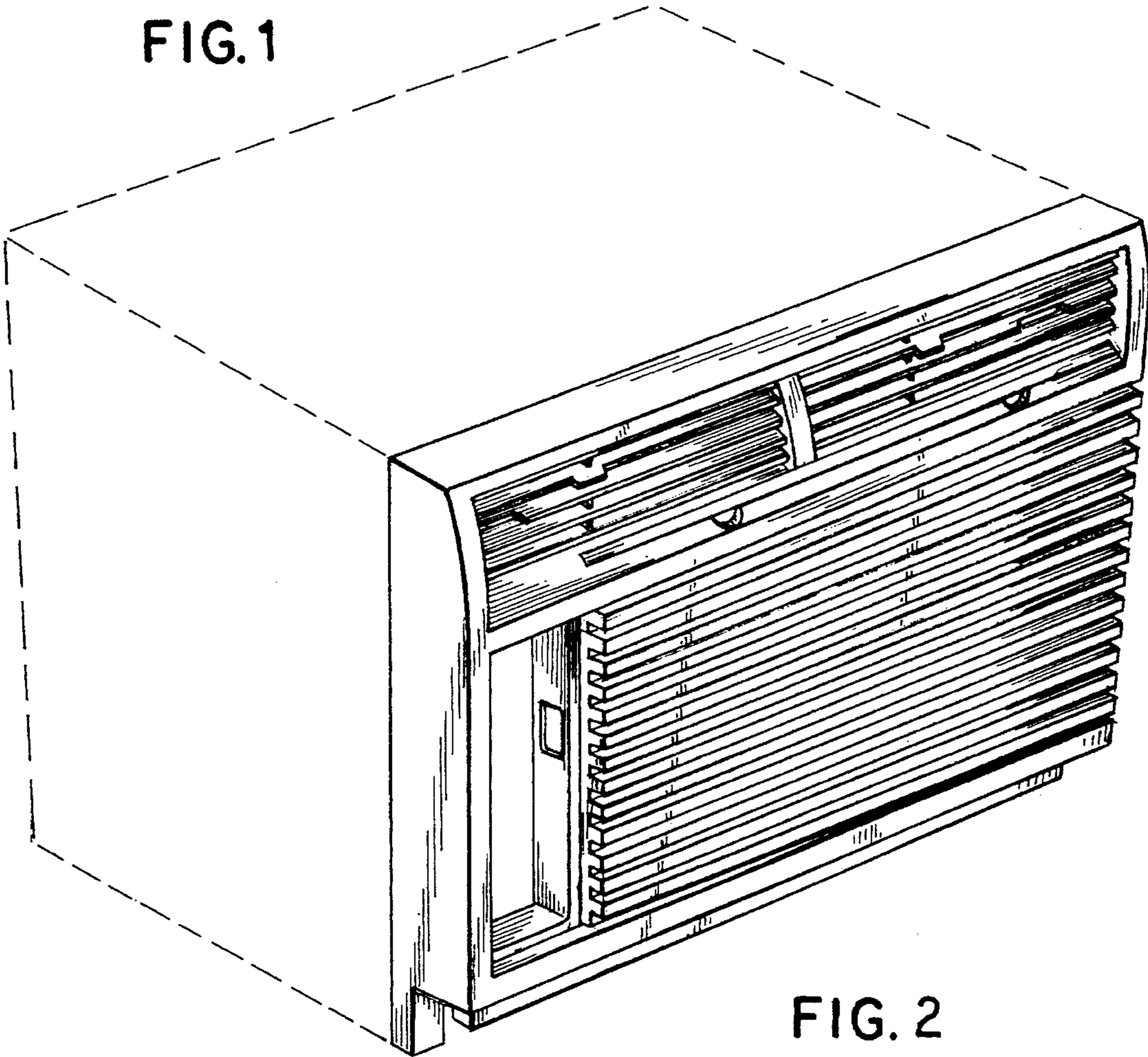


FIG. 2

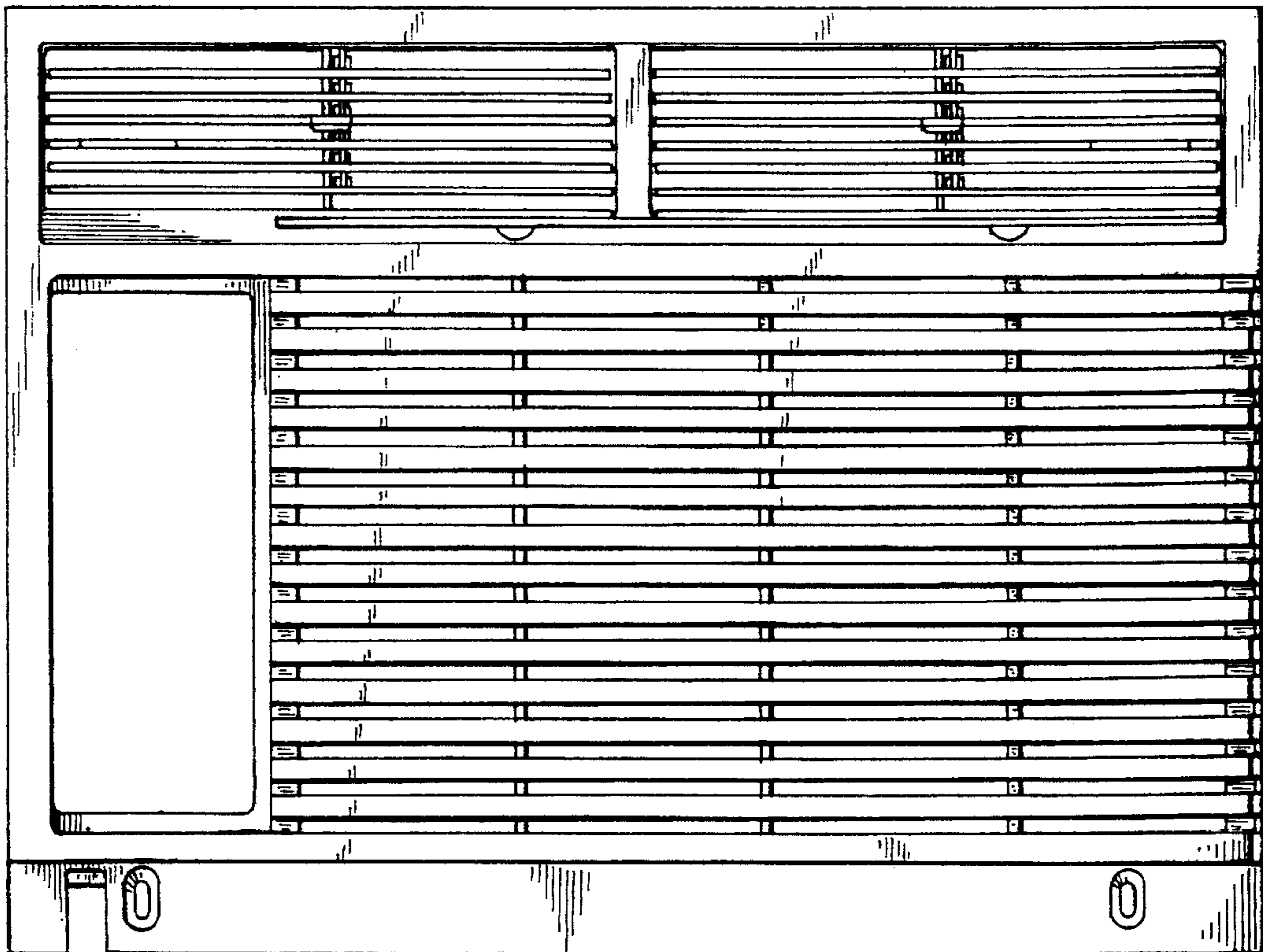


FIG. 3

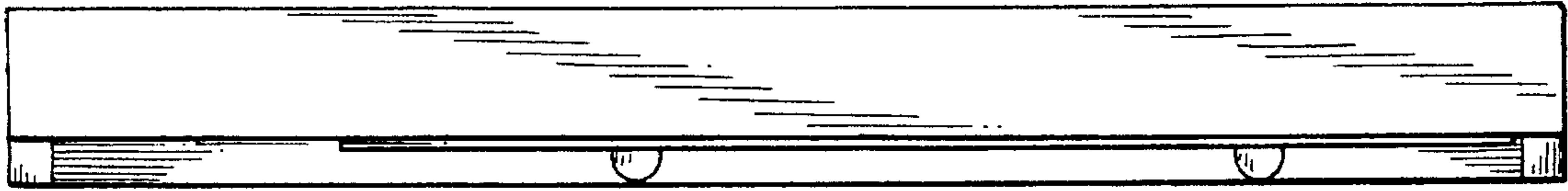


FIG. 4

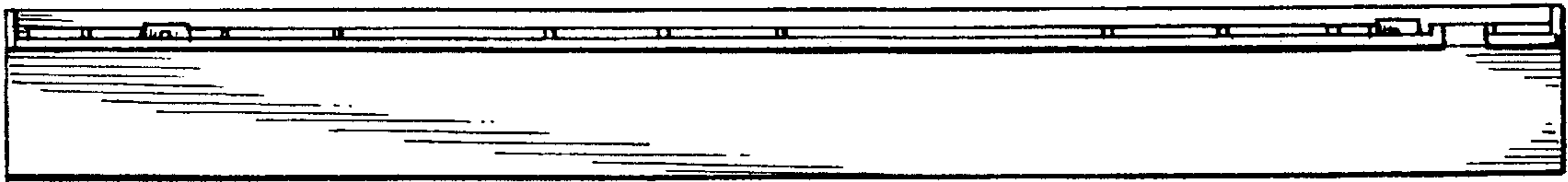


FIG. 5

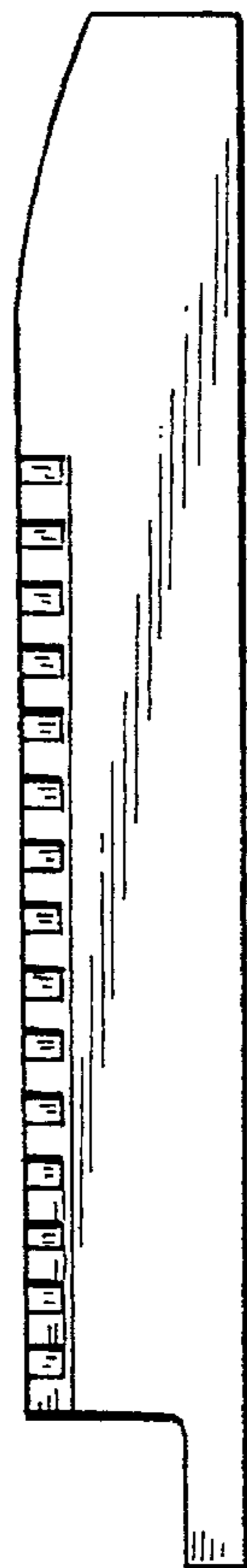


FIG. 6

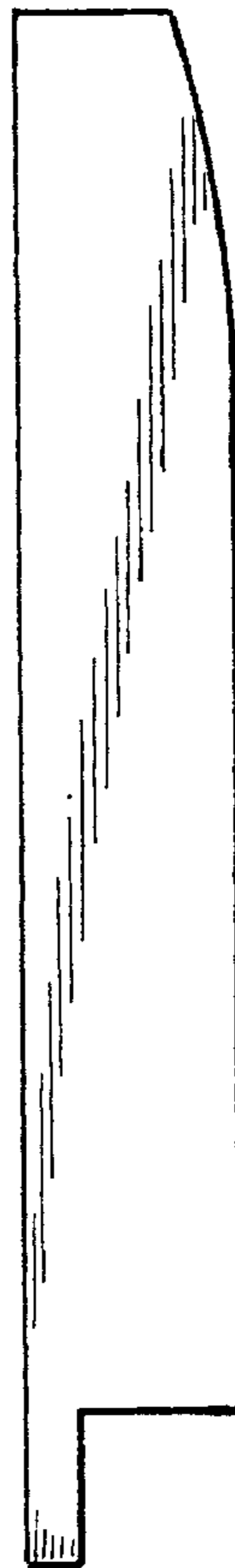


FIG. 7

