



US00D373414S

United States Patent [19]

[11] Patent Number: **Des. 373,414**

Bucher et al.

[45] Date of Patent: ****Sep. 3, 1996**

[54] **HEATER FAN**

Primary Examiner—Lisa P. Lichtenstein
Attorney, Agent, or Firm—Dominik & Stein

[75] Inventors: **John C. Bucher**, Coral Springs; **Shih T. Wu**, Lighthouse Point, both of Fla.; **Ta-Yao Tao**, Taipei, Taiwan; **John C Elliott**, Tamarac, Fla.

[57] **CLAIM**

The ornamental design for a heater fan, as shown and described.

[73] Assignee: **Chien Luen Industries Company, Ltd., Inc.**, Ft. Lauderdale, Fla.

DESCRIPTION

[**] Term: **14 Years**

FIG. 1 is a perspective view of a heater fan showing our new design;

[21] Appl. No.: **21,375**

FIG. 2 is a top elevational view thereof;

[22] Filed: **Apr. 15, 1994**

FIG. 3 is a bottom elevational view thereof;

Related U.S. Application Data

FIG. 4 is a front elevational view thereof;

[62] Division of Ser. No. 2,824, Dec. 21, 1992, Pat. No. Des. 358,636.

FIG. 5 is a right side elevational view thereof, the left side view thereof being a mirror image thereof; and,

[52] U.S. Cl. **D23/335; D23/332**

FIG. 6 is a rear elevational view thereof.

[58] Field of Search **D23/335, 328, D23/370, 381, 332; D14/204, 210, 214; 392/365-369, 375, 376; 416/247 R**

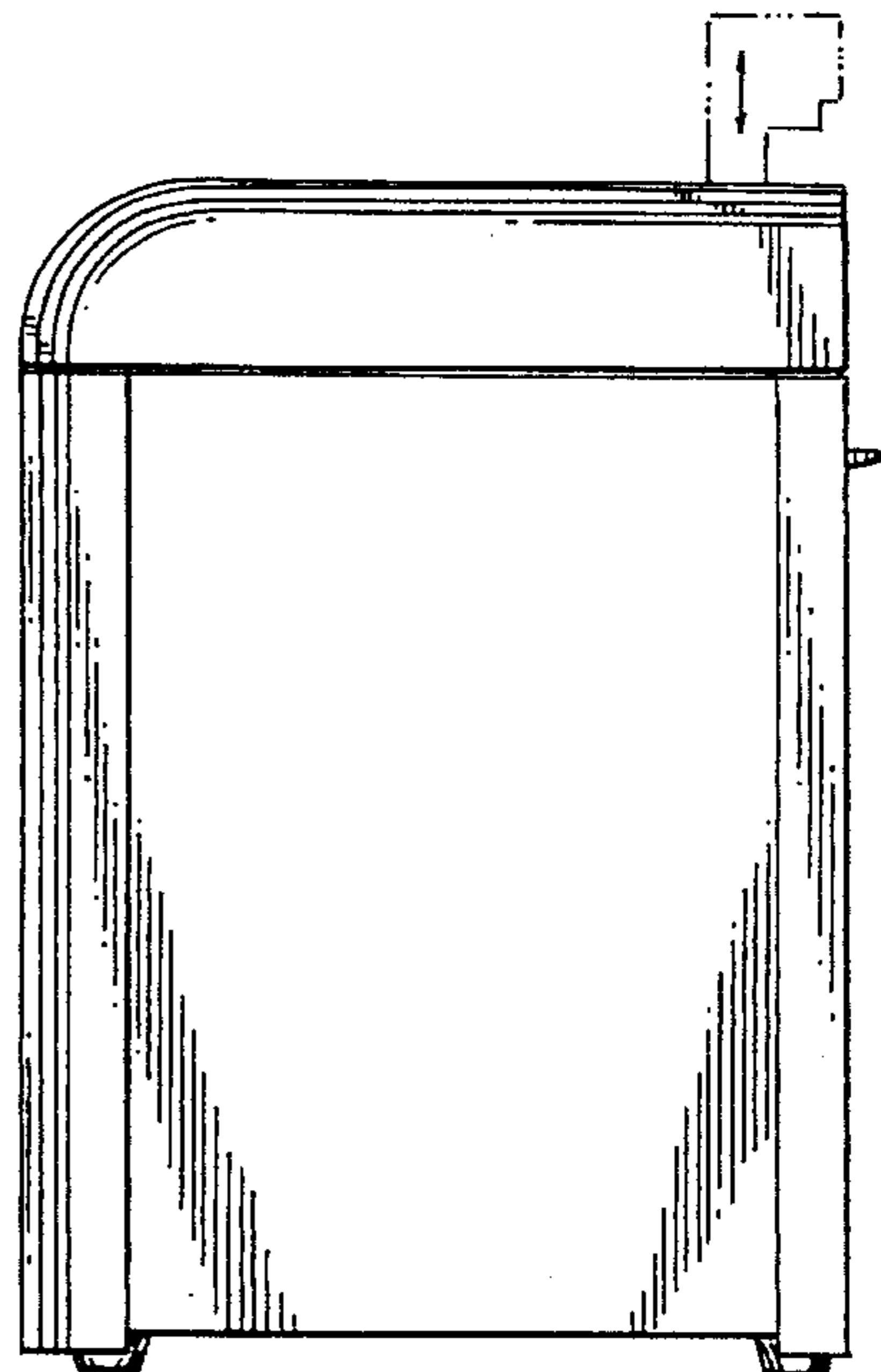
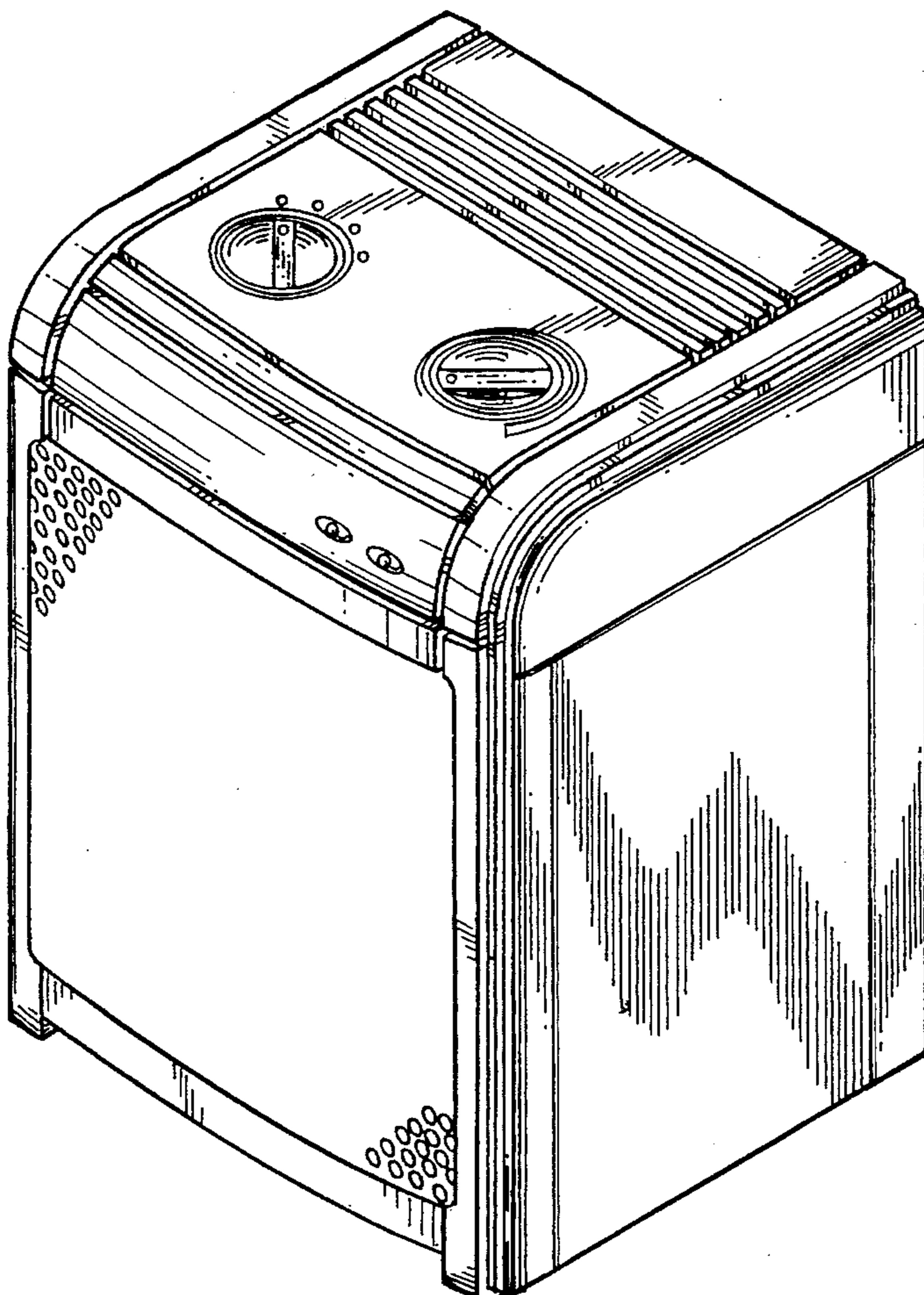
The broken line showing of a handle in FIGS. 4-6 is for illustrative purposes only and forms no part of the claimed design. The pattern of holes in FIGS. 1 and 4 is shown fragmentarily for ease of illustration and is understood to extend uniformly throughout the area represented.

[56] **References Cited**

U.S. PATENT DOCUMENTS

D. 319,498 8/1991 Huang **D23/335**

1 Claim, 2 Drawing Sheets



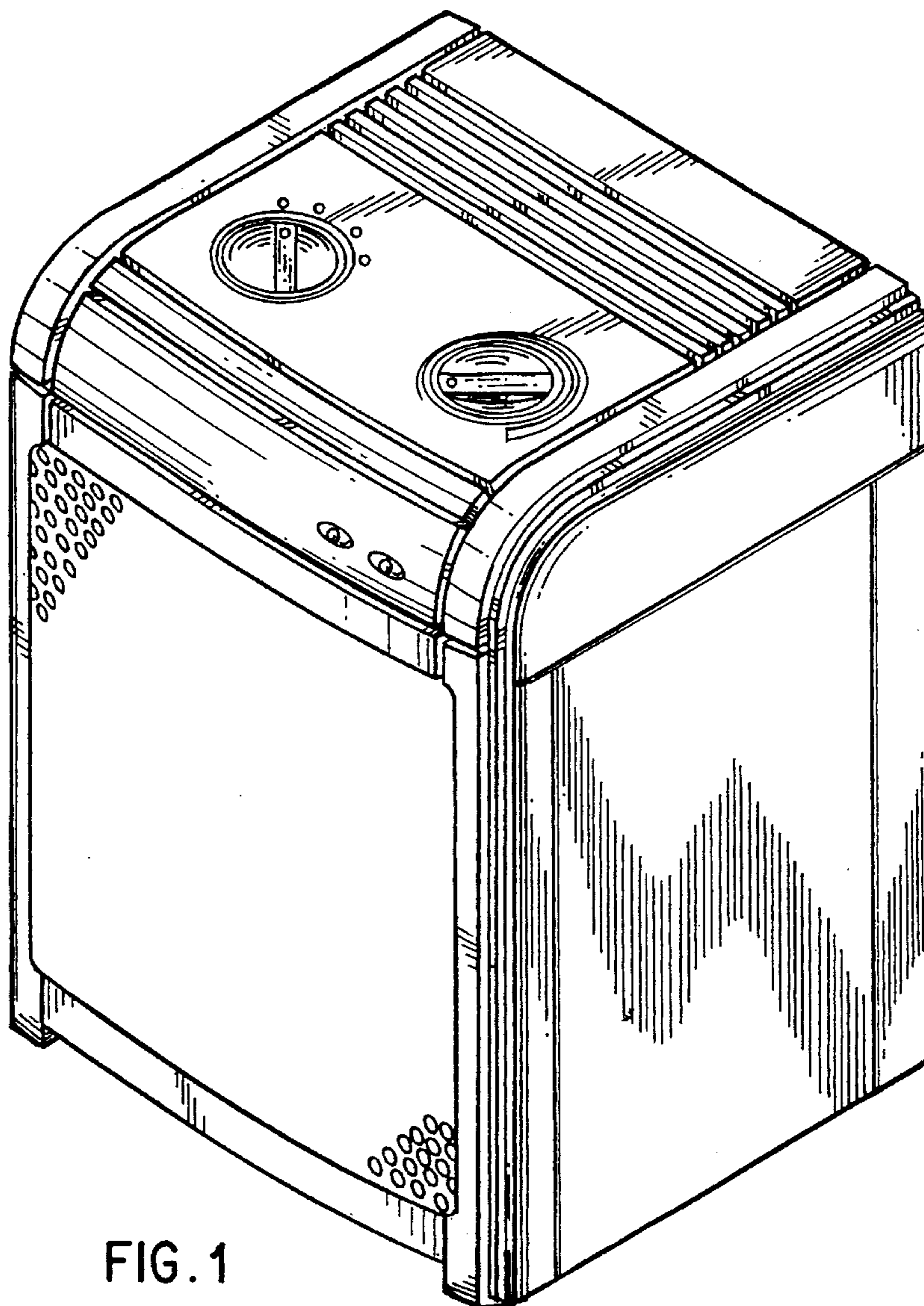


FIG. 1

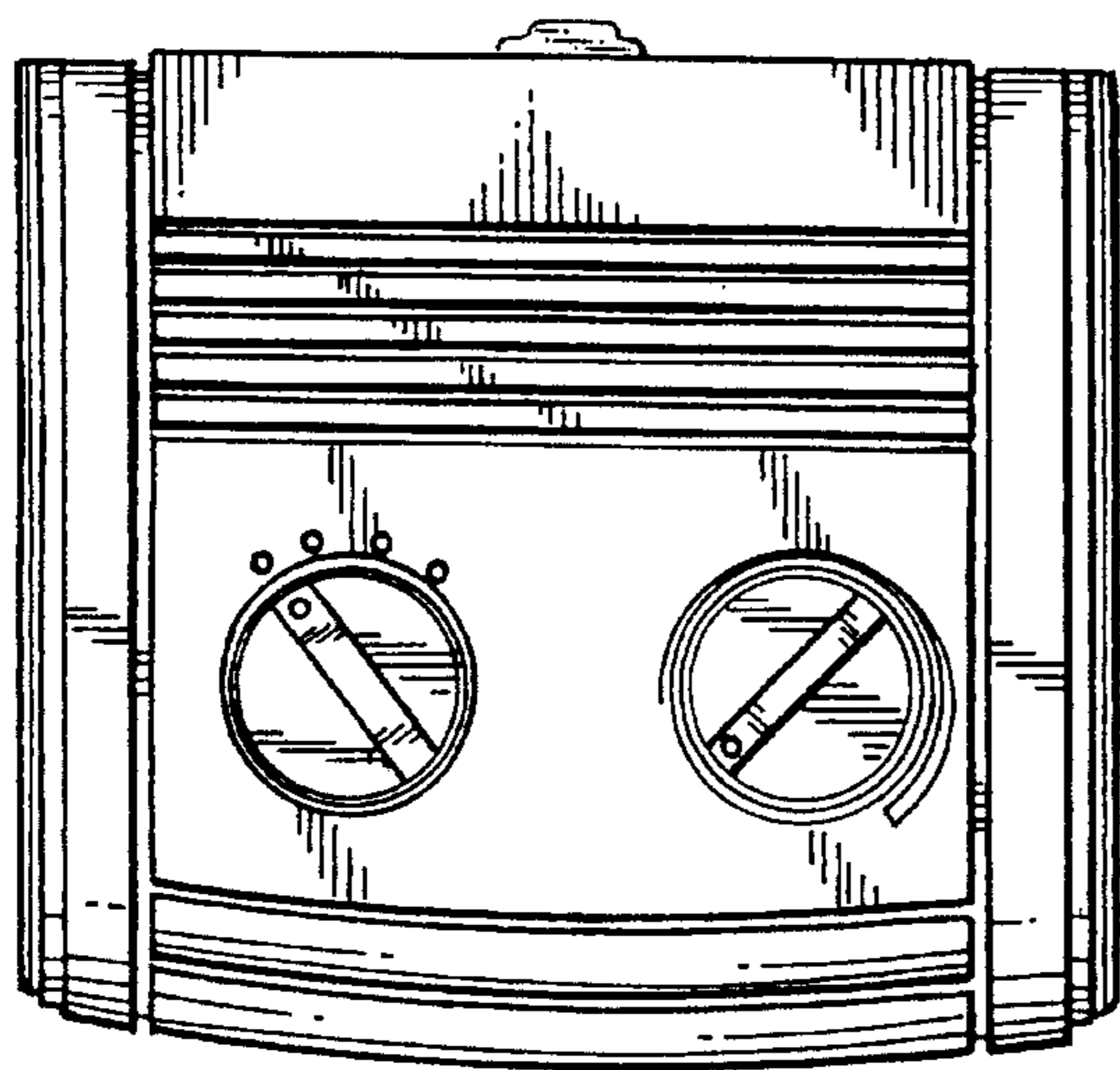


FIG. 2

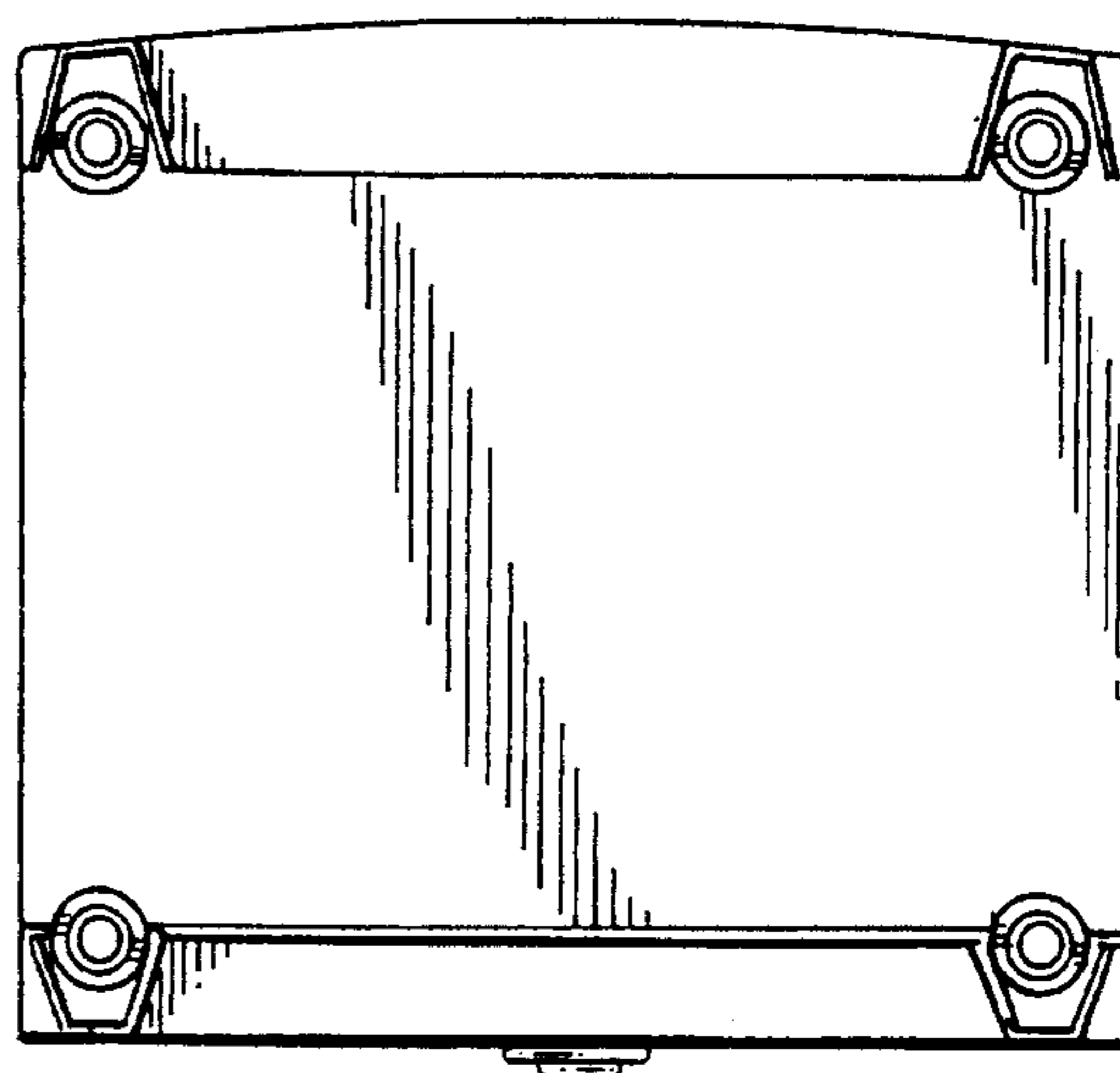


FIG. 3

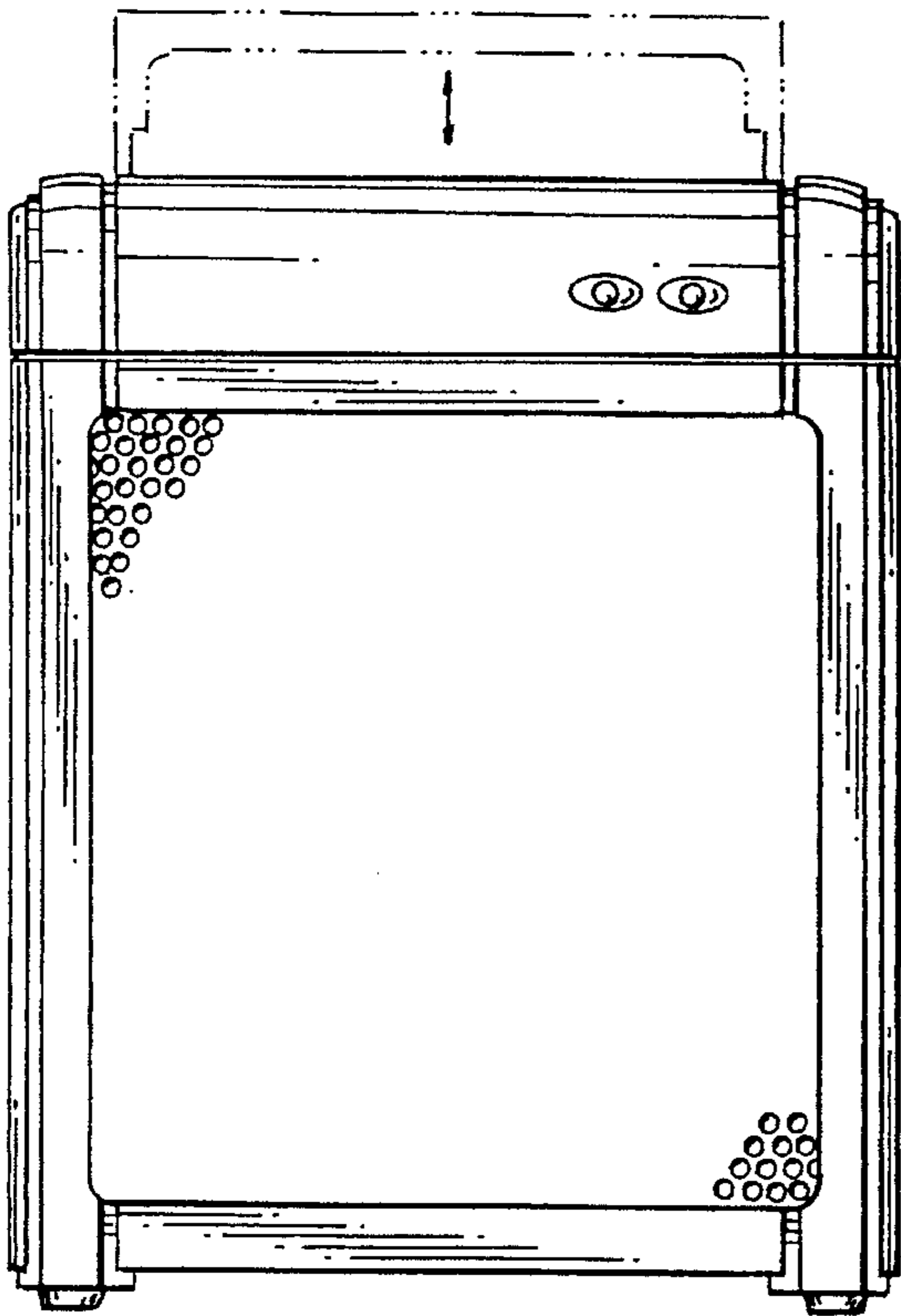


FIG. 4

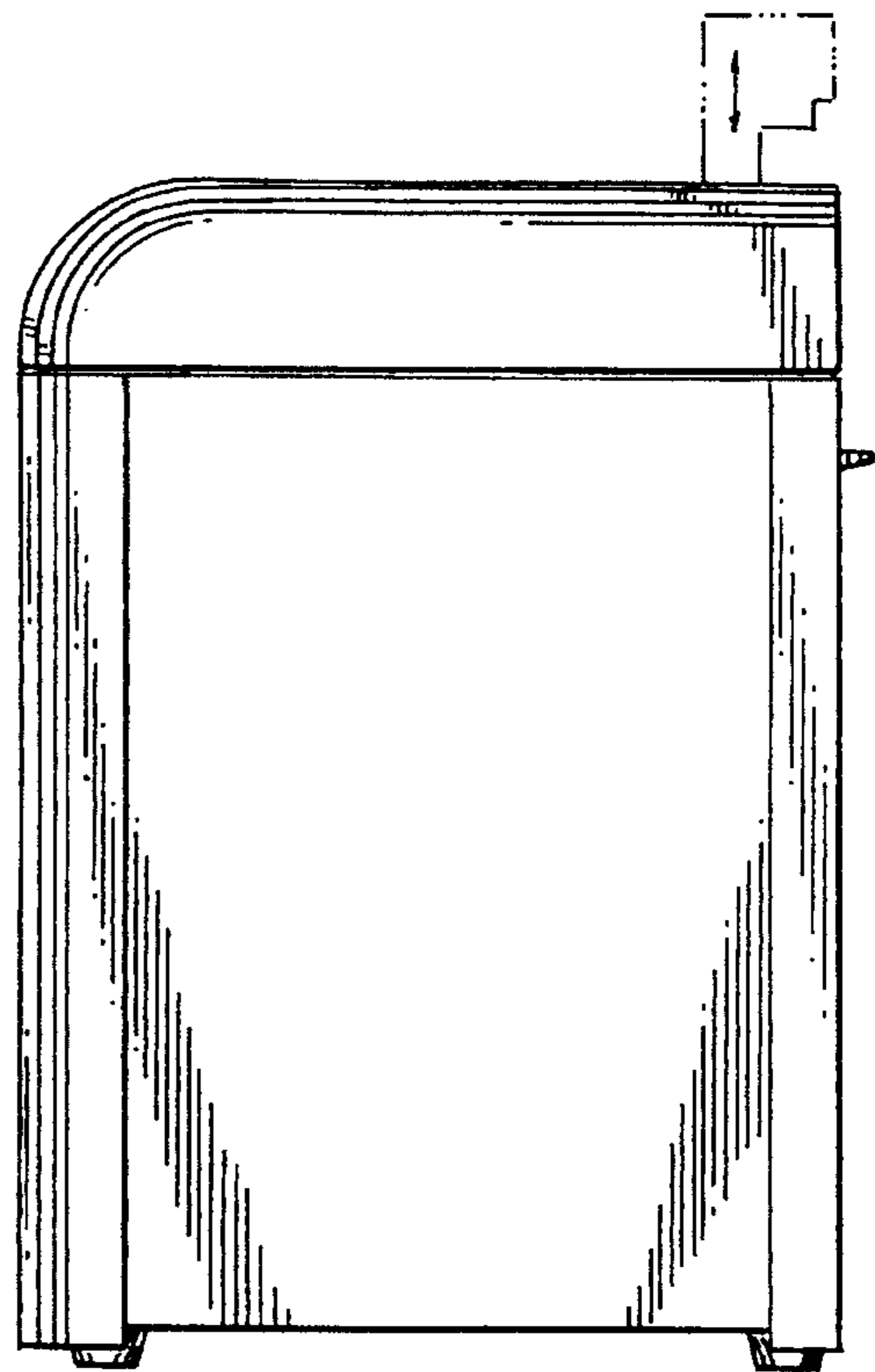


FIG. 5

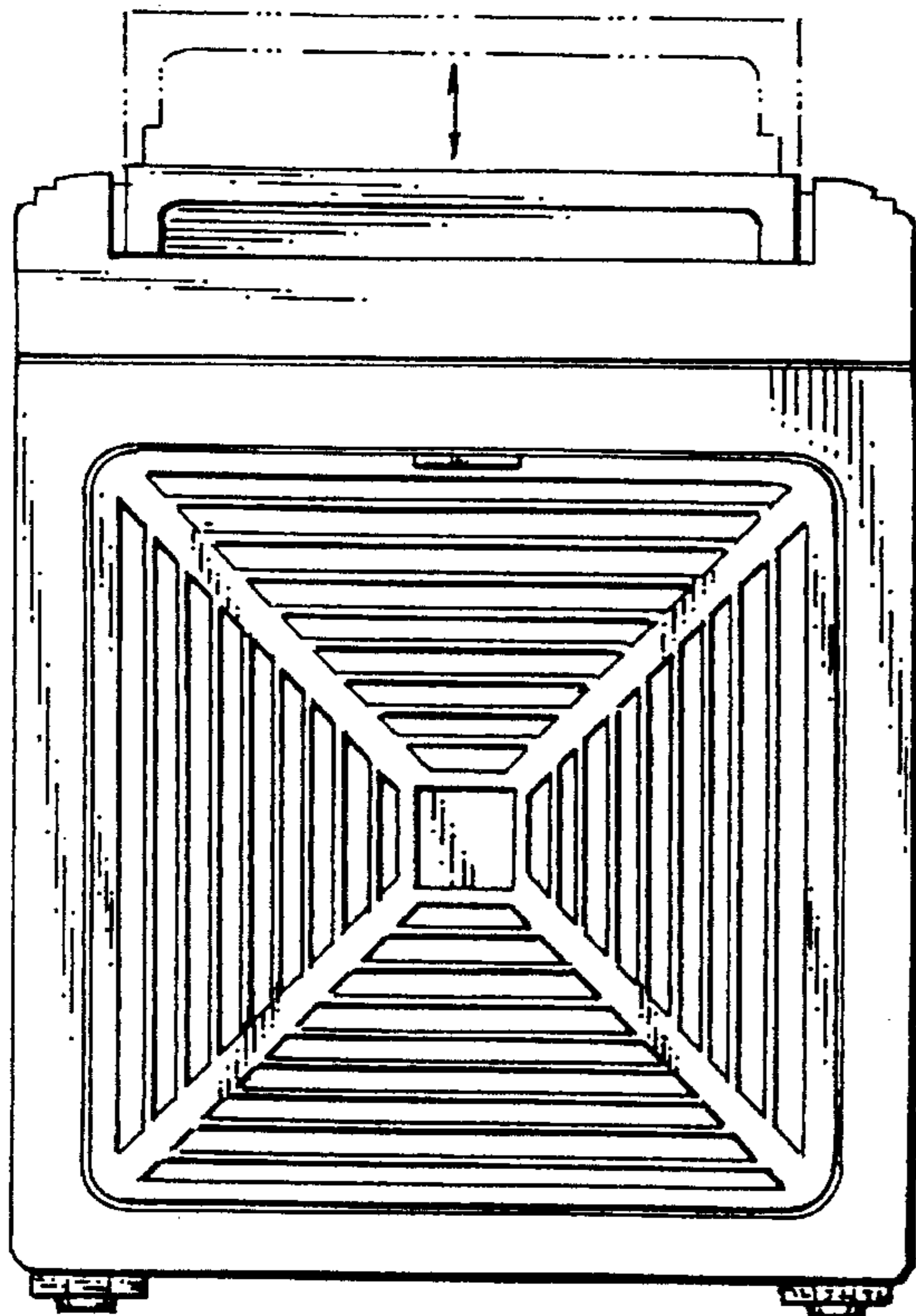


FIG. 6