



US00D373412S

United States Patent [19]

Trueb et al.

[11] Patent Number: **Des. 373,412**

[45] Date of Patent: ****Sep. 3, 1996**

[54] PROTECTIVE UNDERSINK ENCLOSURE

[75] Inventors: **Thomas W. Trueb; Steven R. Trueb**, both of Ellington, Conn.

[73] Assignee: **TrueBro, Inc.**, Ellington, Conn.

[**] Term: **14 Years**

[21] Appl. No.: **40,563**

[22] Filed: **Jun. 21, 1995**

[52] U.S. Cl. **D23/308**

[58] Field of Search D23/302, 14 311, D23/295-299; 4/661, 645, 233-239, 217, 242, 253, 311

[56] References Cited

U.S. PATENT DOCUMENTS

| | | | | |
|-----------|---------|----------------|-------|---------|
| D. 46,438 | 9/1914 | Mann | | D23/308 |
| 650,897 | 6/1900 | Hinsdale | | 4/311 |
| 2,496,684 | 2/1950 | Upchurch | | 4/654 |
| 4,646,370 | 3/1987 | Risberg et al. | | 4/661 |
| 4,862,528 | 9/1989 | Clarke et al. | | 4/661 |
| 5,253,376 | 10/1993 | Fait | | 4/661 |
| 5,363,517 | 11/1994 | Bostolas | | 4/661 |

OTHER PUBLICATIONS

Federal Government issued Specification Sheet for Under-Fixture Enclosure FIGS. B4.18.4 and B4.20.3.1.

Primary Examiner—Louis S. Zarfaz

Assistant Examiner—Gregory Andoll

Attorney, Agent, or Firm—Ira S. Dorman

[57] CLAIM

The ornamental design for a protective undersink enclosure, as shown.

DESCRIPTION

FIG. 1 is a perspective view of the protective undersink enclosure of the invention;

FIG. 2 is a side elevational view of the protective undersink enclosure of the invention;

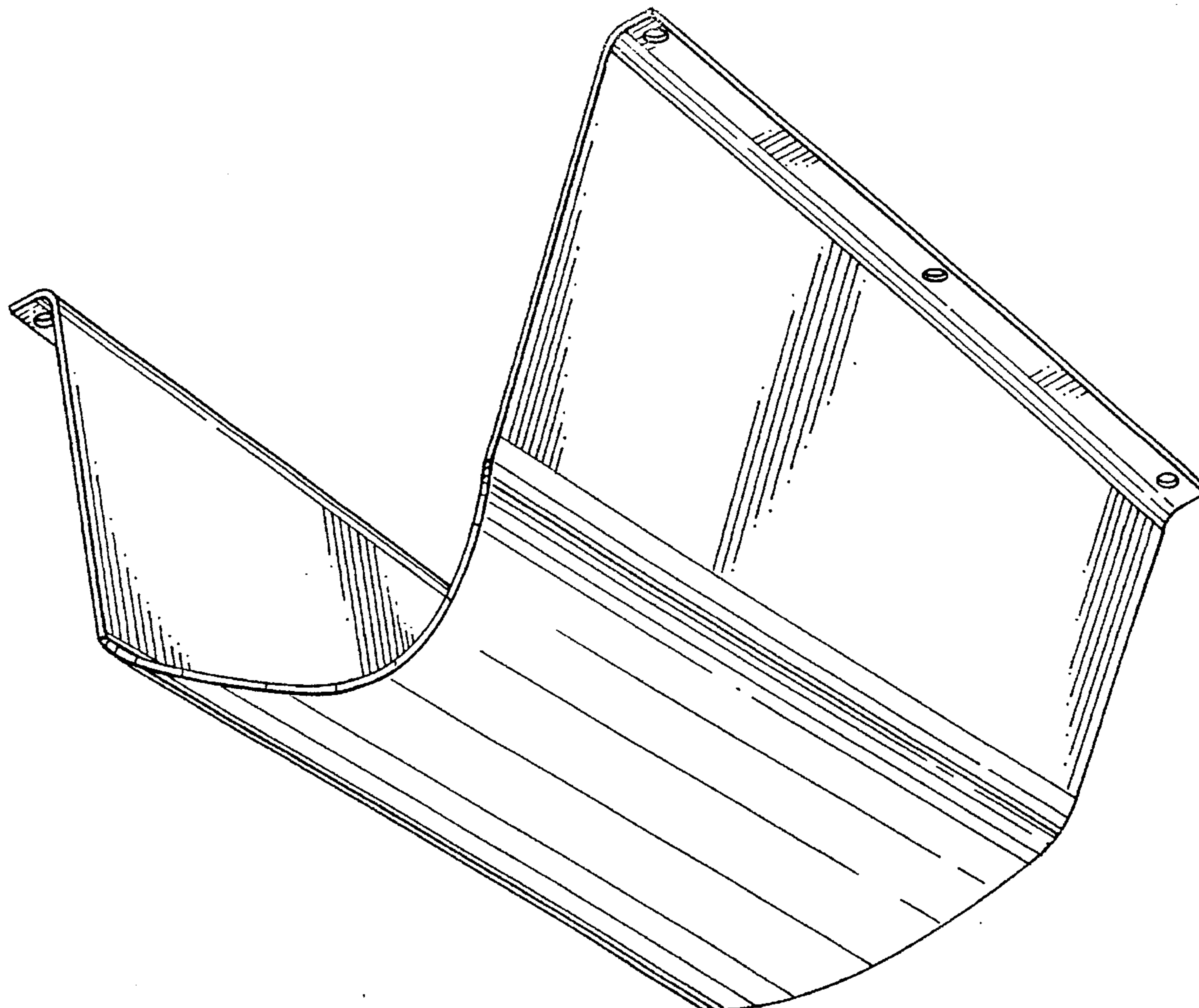
FIG. 3 is a bottom view of the protective undersink enclosure of the invention;

FIG. 4 is a rear view of the protective undersink enclosure of the invention;

FIG. 5 is a top view of the protective undersink enclosure of the invention; and,

FIG. 6 is a front view of the protective undersink enclosure of the invention.

1 Claim, 3 Drawing Sheets



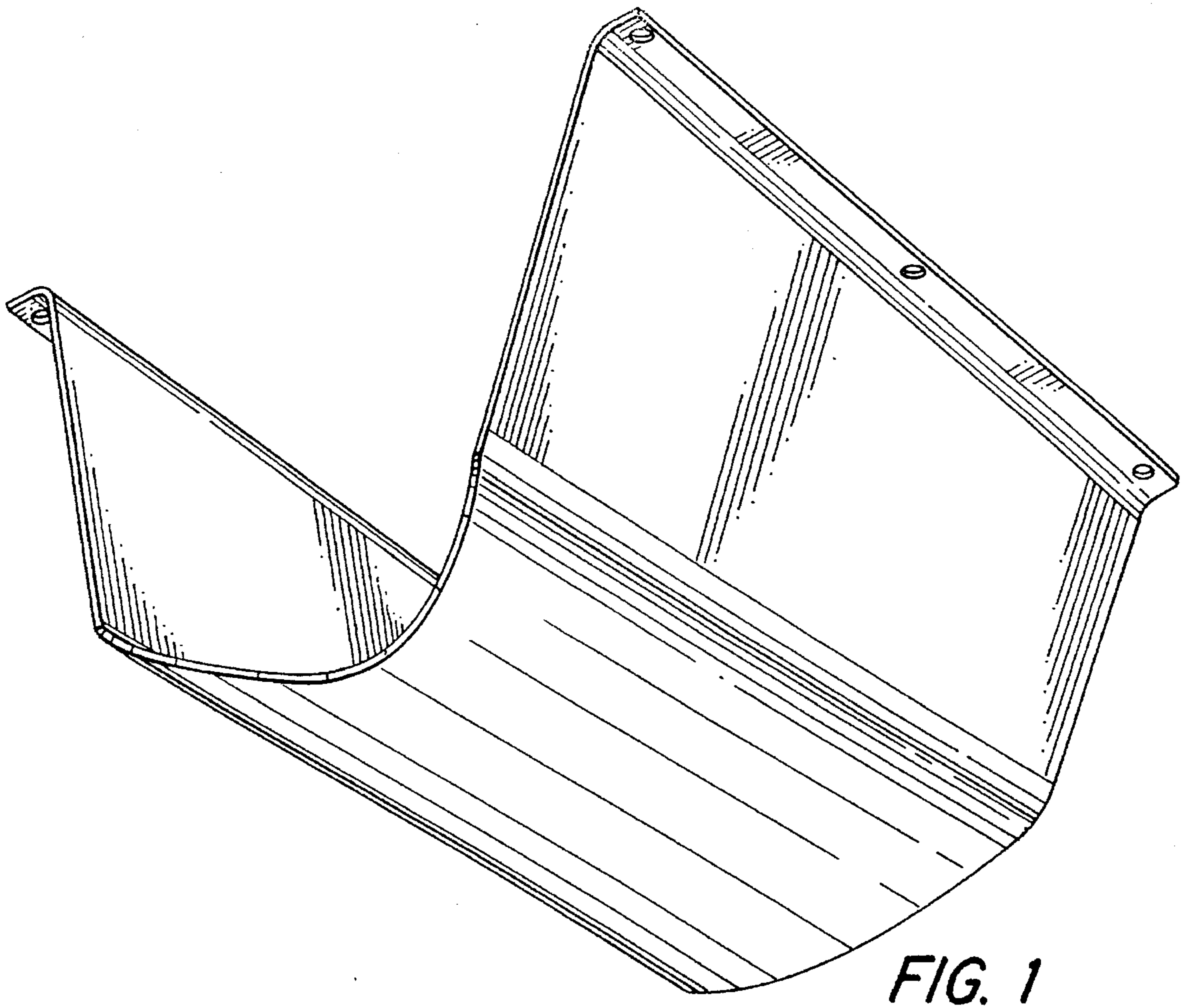


FIG. 1

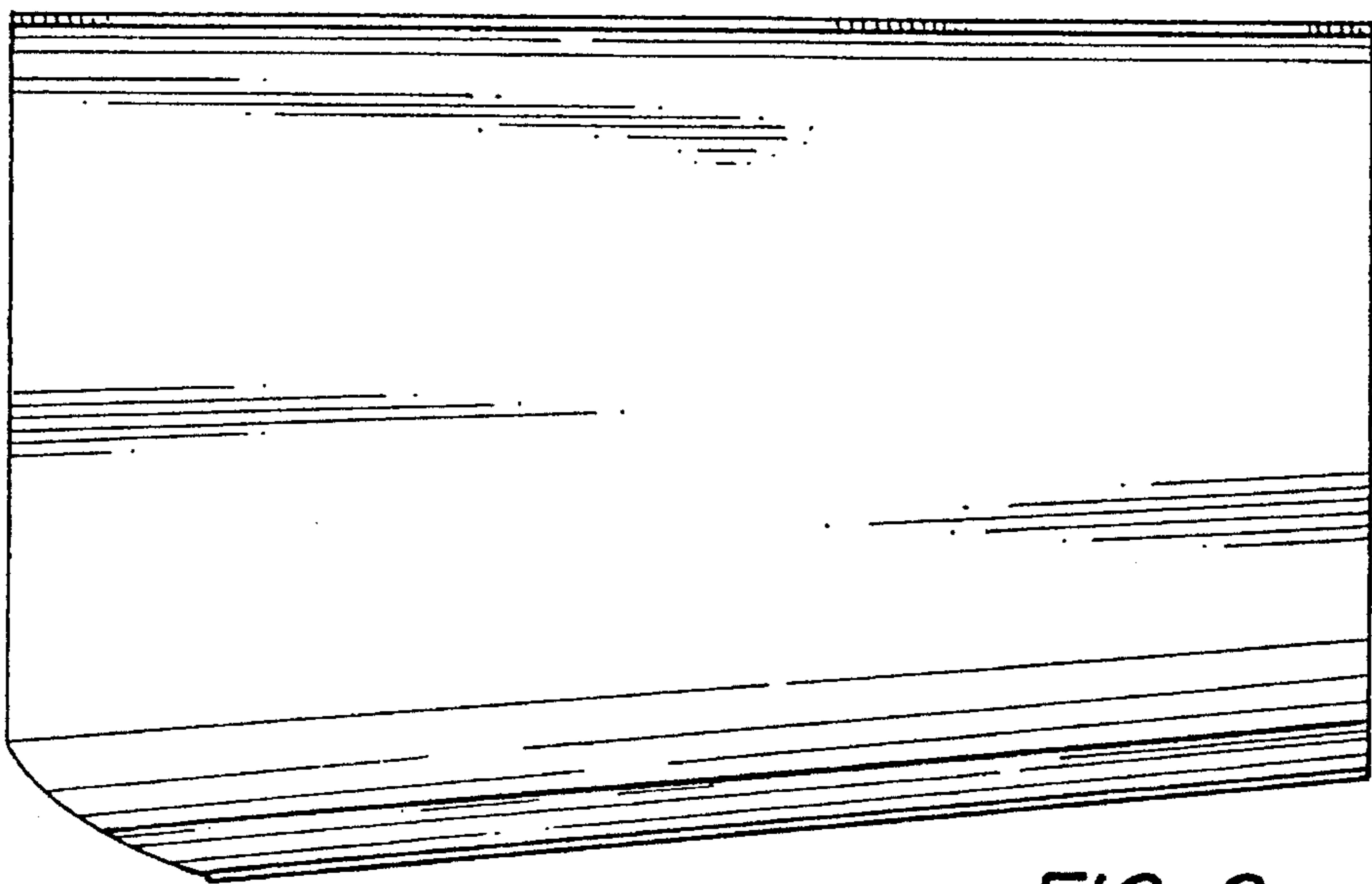


FIG. 2

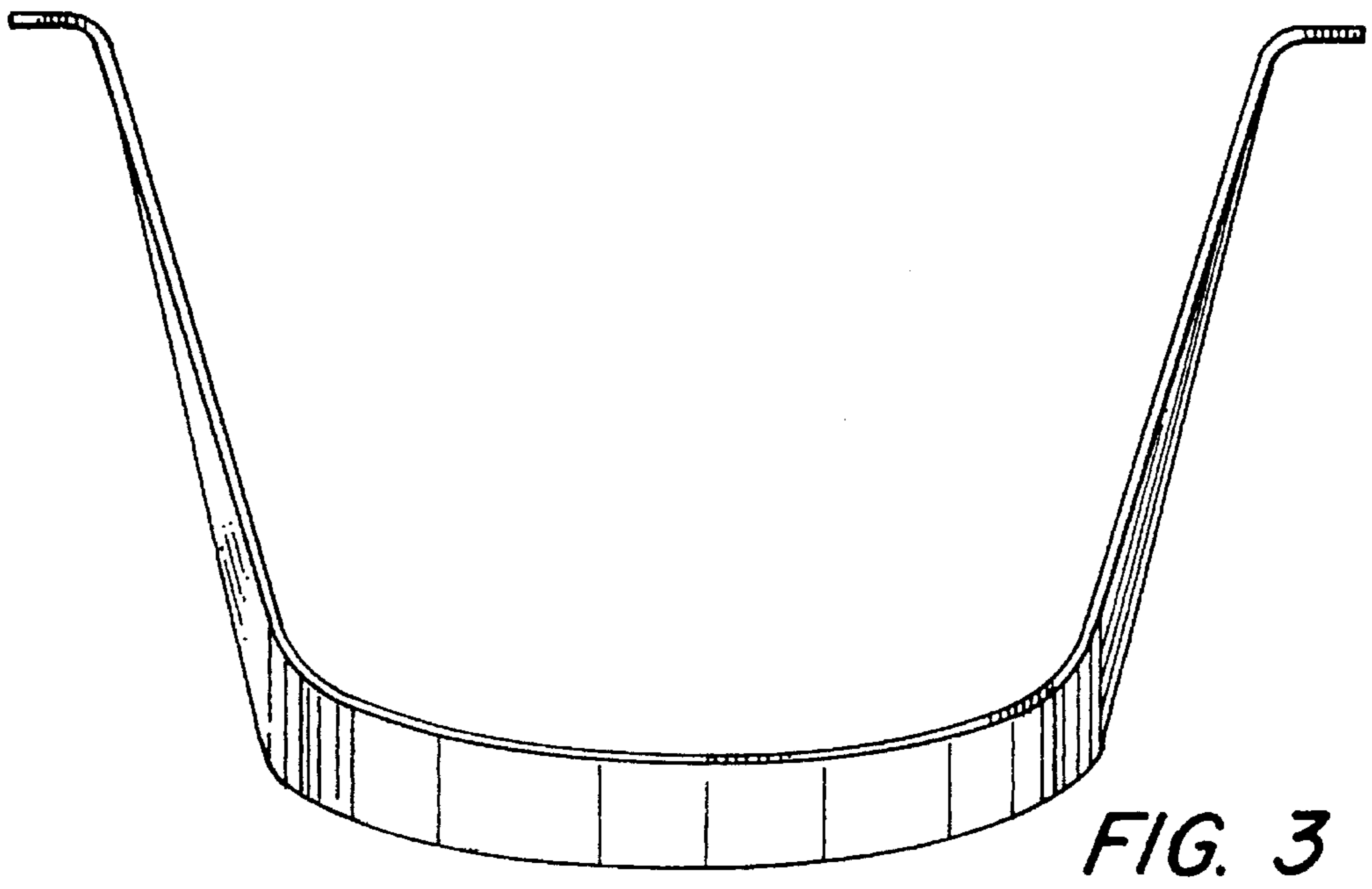


FIG. 3

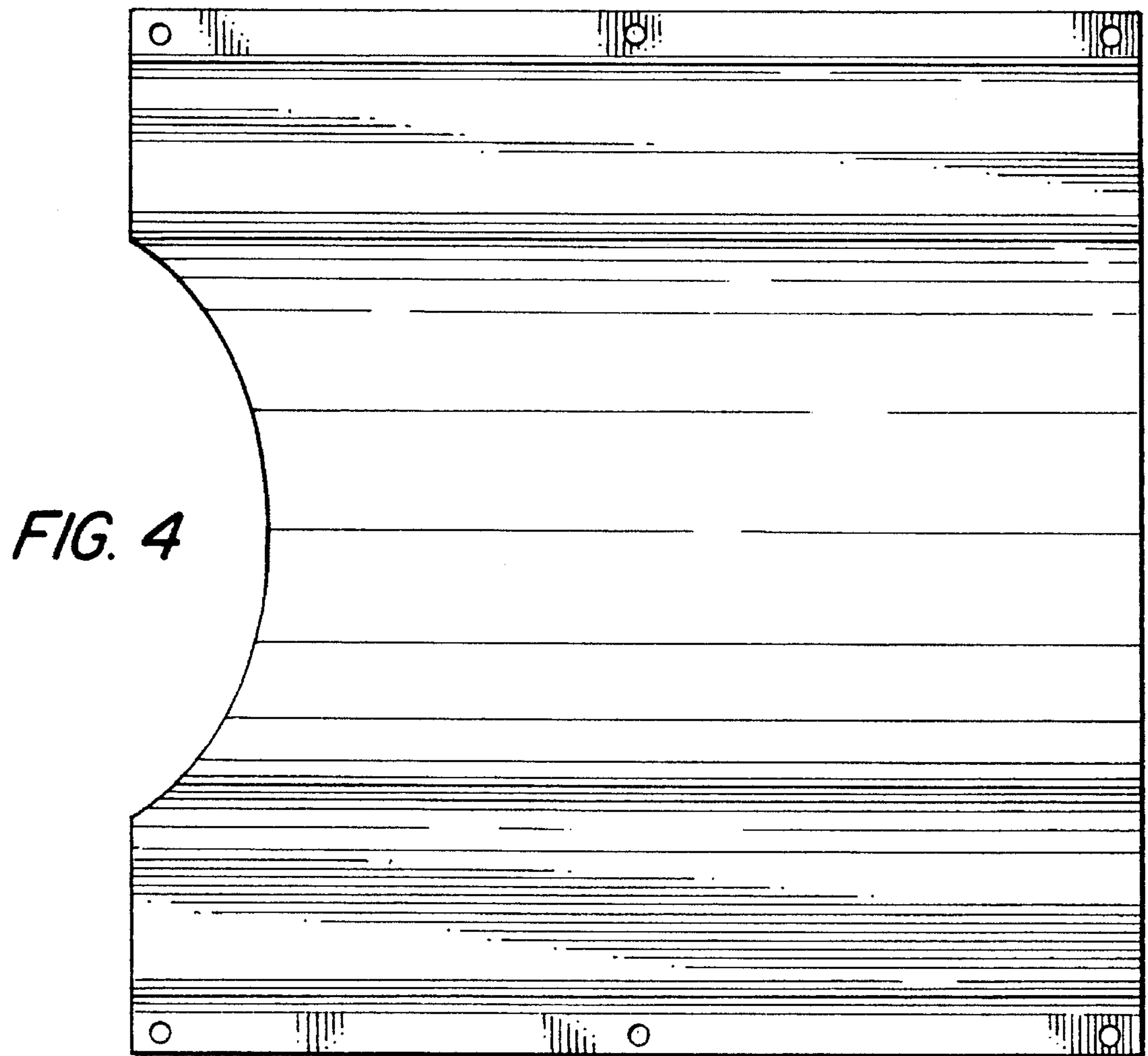


FIG. 4

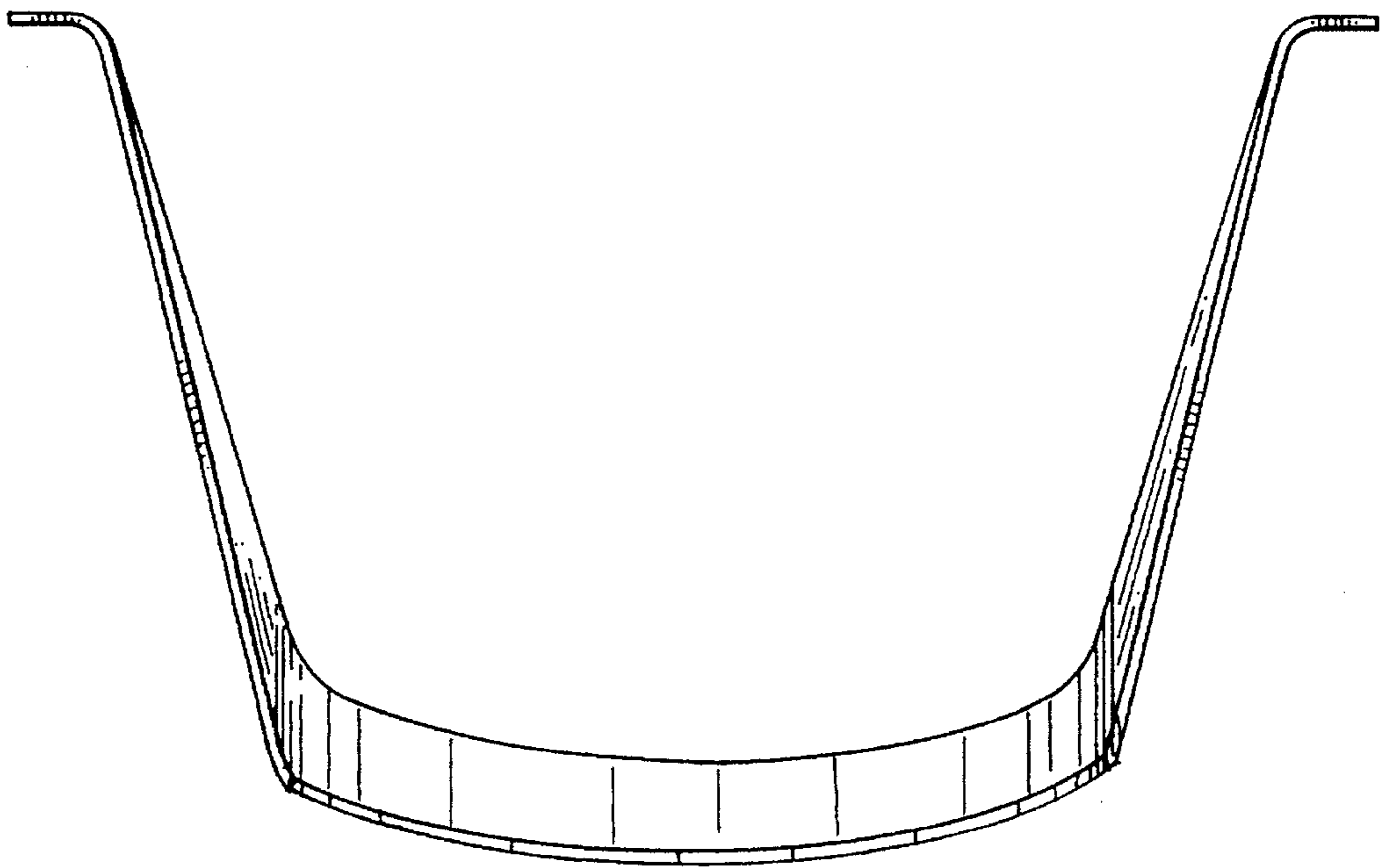


FIG. 5

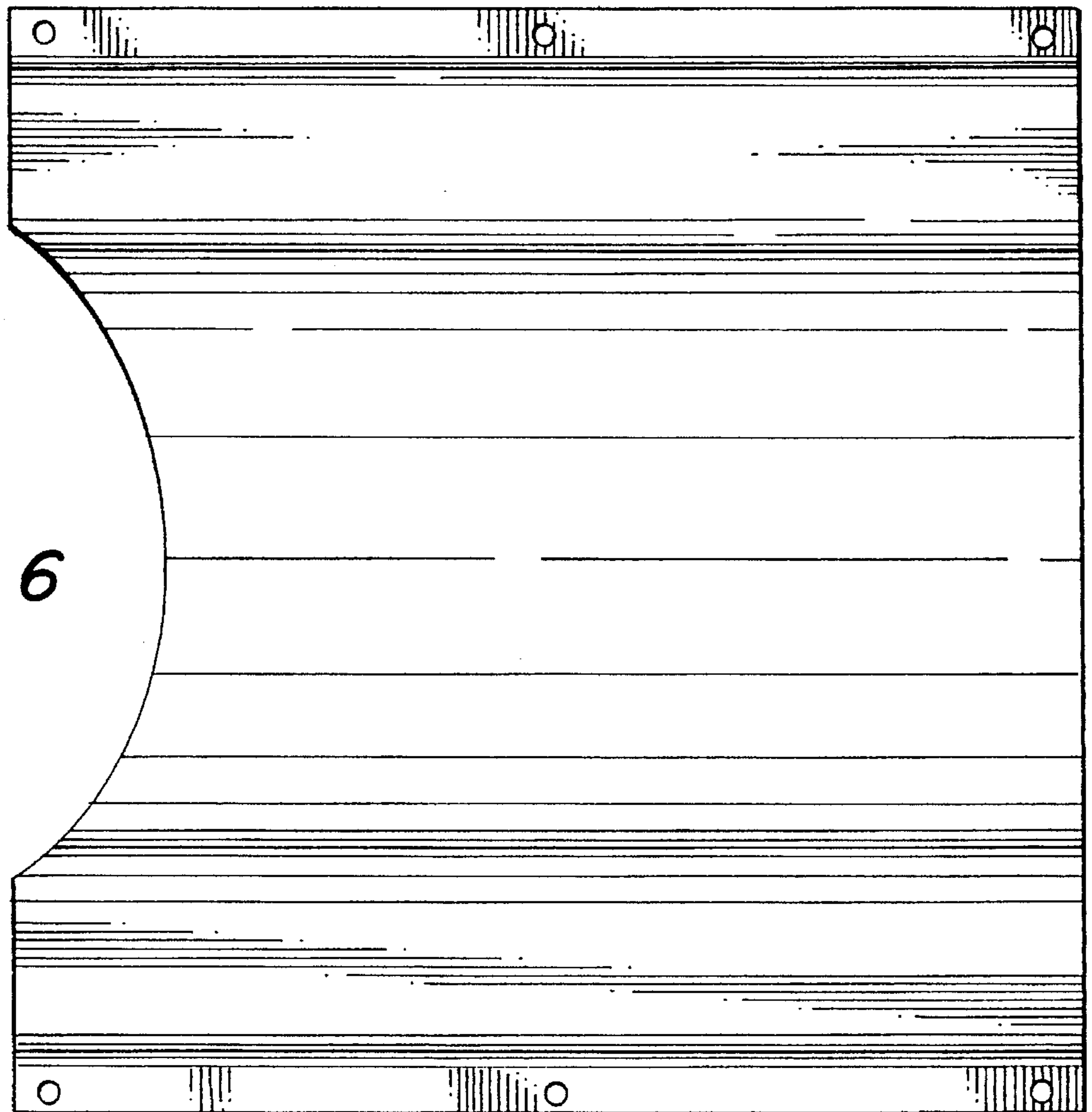


FIG. 6