



US00D373409S

United States Patent [19]

[11] **Patent Number: Des. 373,409**

Shifflet et al.

[45] **Date of Patent: **Sep. 3, 1996**

[54] **FLUSHING ADAPTER FOR FLUSHING A VEHICLE COOLING SYSTEM**

4,791,890 12/1988 Miles et al. 134/169 A X
5,103,878 4/1992 Cassia 134/169 A X

[76] Inventors: **Raymond Shifflet; Henrietta Shifflet,**
both of HCR 81, Box 29, Irvine, Ky.
40336-9201

Primary Examiner—A. Hugo Word
Assistant Examiner—Eric Watterson
Attorney, Agent, or Firm—H. Jay Spiegel

[**] Term: **14 Years**

[57] **CLAIM**

[21] Appl. No.: **19,282**

The ornamental design for a flushing adapter for flushing a vehicle cooling system, as shown and described.

[22] Filed: **Feb. 28, 1994**

DESCRIPTION

[52] U.S. Cl. **D23/263**

[58] **Field of Search** D23/259-269;
134/169 A, 169 R; 165/95; 210/167, 171;
123/1 R, 41.14

FIG. 1 shows a perspective view of the design with a portion of the cooling system into which it is to be installed depicted in phantom;

FIG. 2 shows a perspective view of the design from the opposite side of the view of FIG. 1; and,

FIG. 3 is a perspective view of the coupling attachment, the opposite side being a mirror image thereof.

[56] **References Cited**

U.S. PATENT DOCUMENTS

4,082,565 4/1978 Siolander 134/169 A X
4,121,948 10/1978 Guhlin 134/169 A X

1 Claim, 2 Drawing Sheets

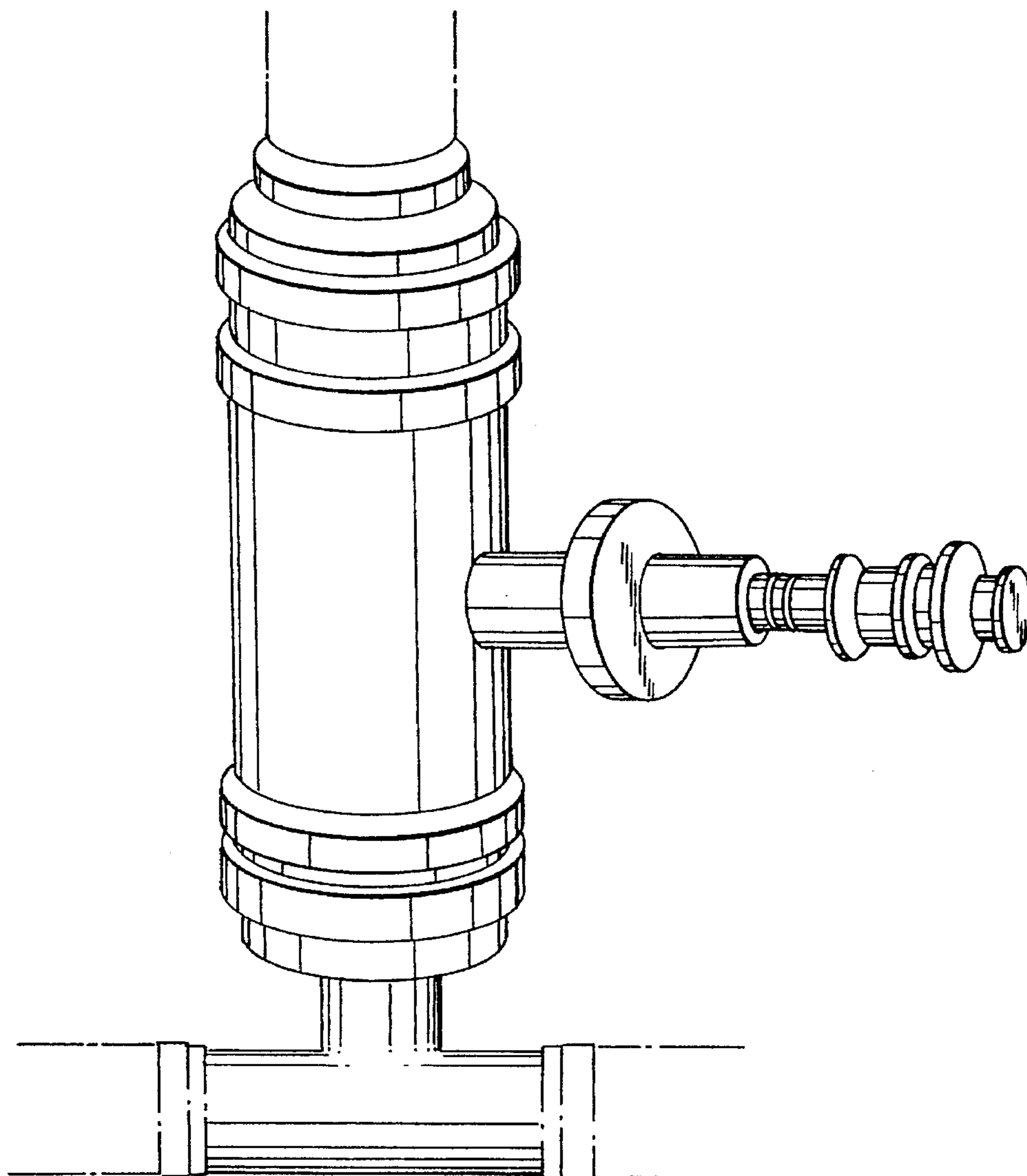


FIG. 1

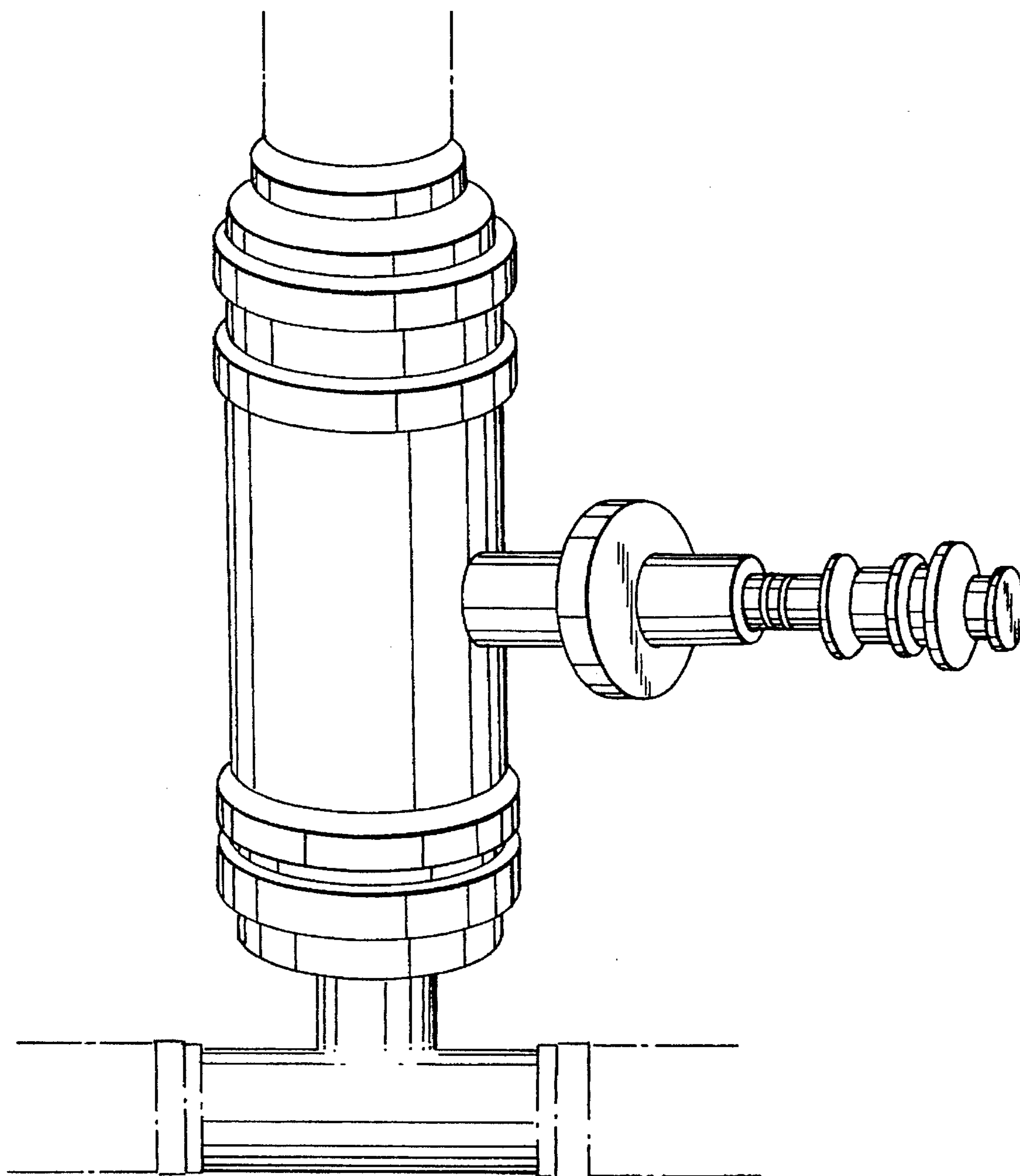


FIG. 2

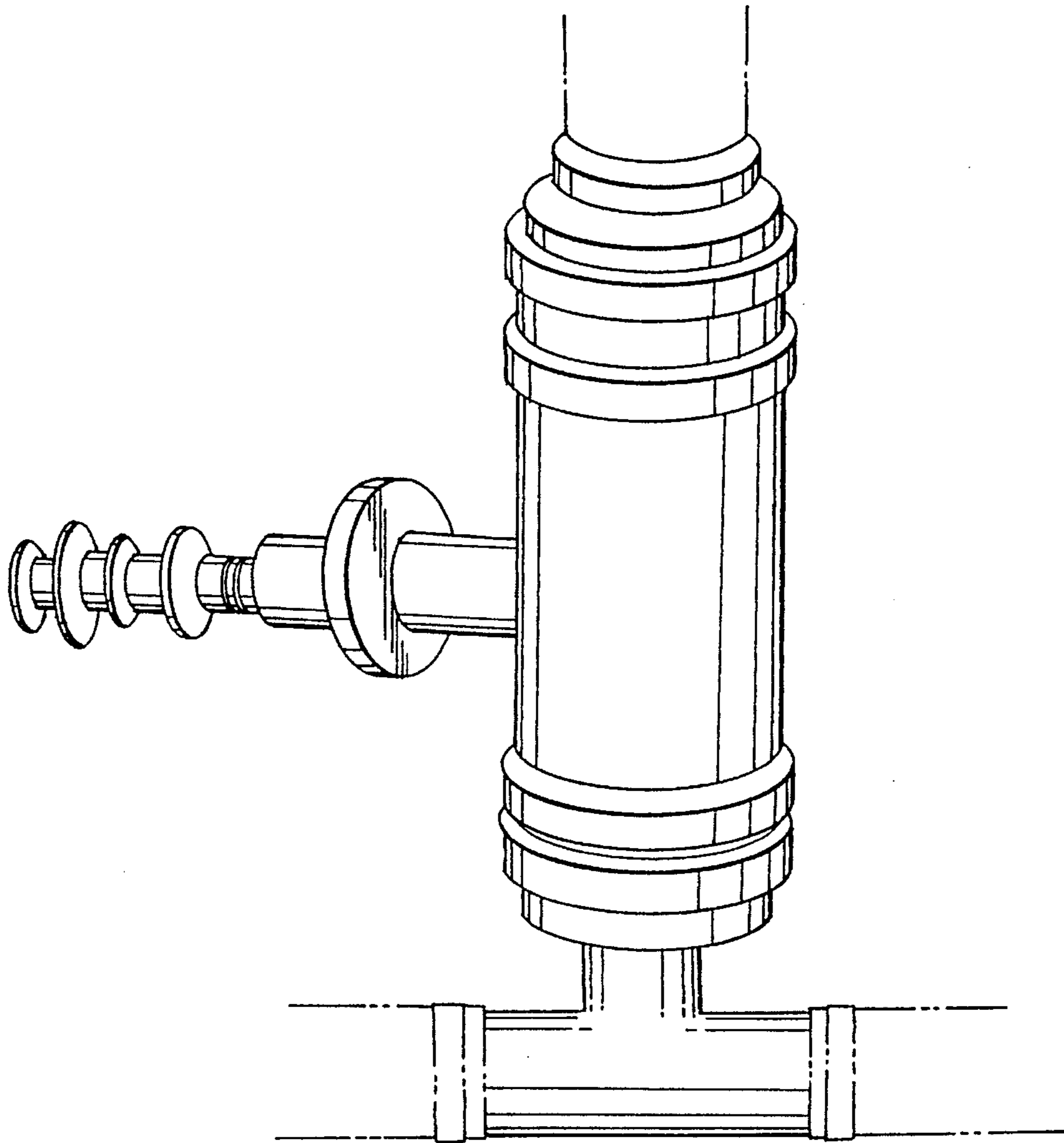


FIG. 3

