



US00D373408S

# United States Patent [19] Wood

[11] Patent Number: **Des. 373,408**

[45] Date of Patent: **\*\*Sep. 3, 1996**

[54] **COLLAR FOR A PIPE INLET**

1,823,028 9/1931 Caldwell ..... D23/263 X  
1,908,821 5/1933 Cornell, Jr. .... 285/197

[75] Inventor: **Eric Wood**, Kirk Michael, Isle of Man

[73] Assignee: **Insituform (Netherlands) BV**,  
Rotterdam, Netherlands

*Primary Examiner*—Stella Reid  
*Assistant Examiner*—E. Watterson  
*Attorney, Agent, or Firm*—Klauber & Jackson

[\*\*] Term: **14 Years**

[57] **CLAIM**

[21] Appl. No.: **44,096**

The ornamental design for collar for a pipe inlet, as shown.

[22] Filed: **Sep. 18, 1995**

**DESCRIPTION**

**Related U.S. Application Data**

[63] Continuation of Ser. No. 15,525, Nov. 19, 1993, abandoned.

FIG. 1 is a perspective view showing the collar for a pipe inlet of my new design;

[30] **Foreign Application Priority Data**

May 19, 1993 [GB] United Kingdom ..... 2031177

FIG. 2 is a right side elevational view thereof;

[52] **U.S. Cl.** ..... **D23/260**

FIG. 3 is a left side perspective view thereof;

[58] **Field of Search** ..... D23/259, 262-269;  
285/42, 197, 198, 199

FIG. 4 is a top plan view thereof;

FIG. 5 is a bottom plan view thereof;

FIG. 6 is an end view thereof; and,

FIG. 7 is a reverse end view thereof.

[56] **References Cited**

**U.S. PATENT DOCUMENTS**

1,057,708 4/1913 Chapin ..... 285/197

**1 Claim, 2 Drawing Sheets**

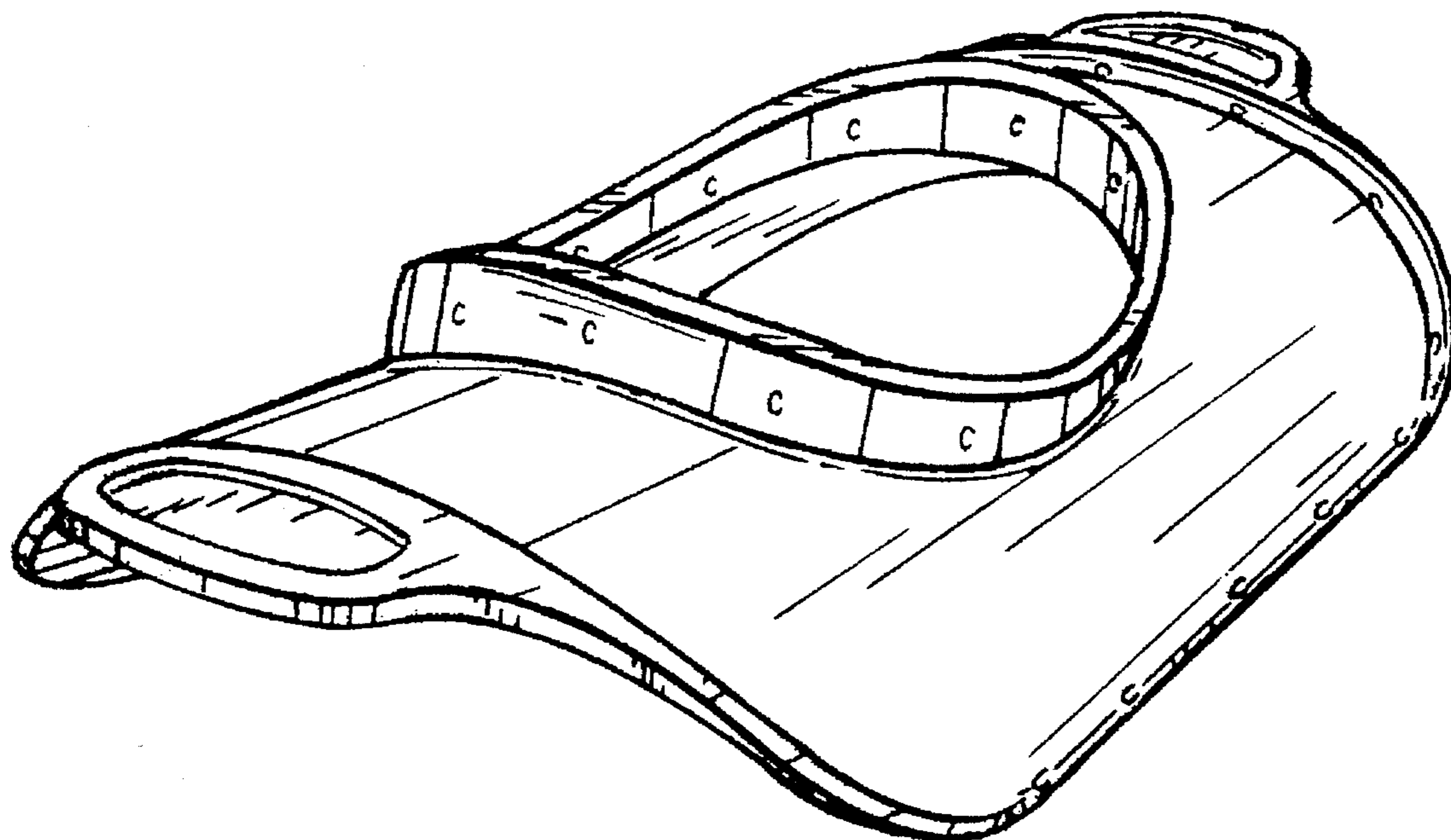


FIG. 1

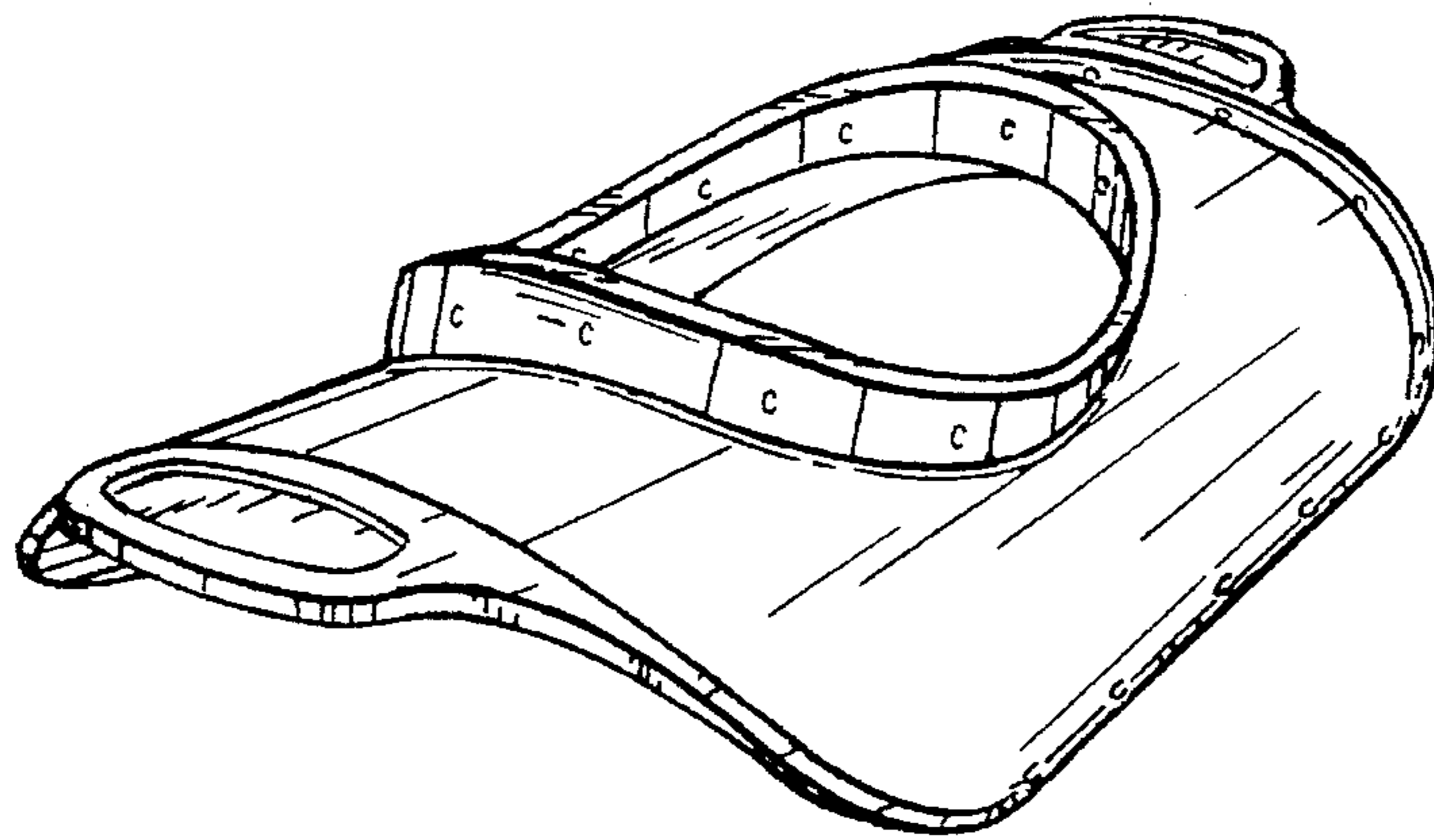


FIG. 2

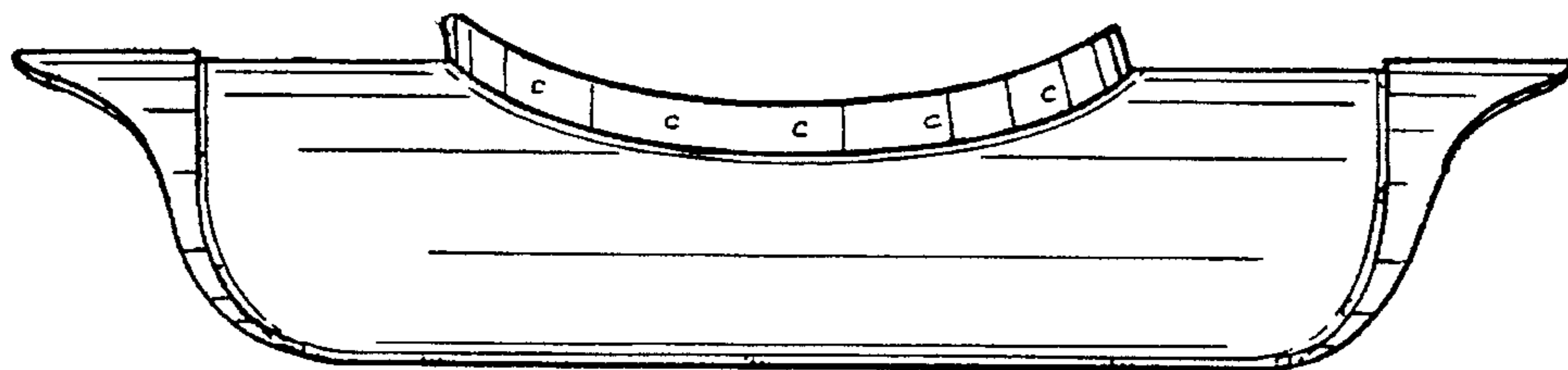


FIG. 3

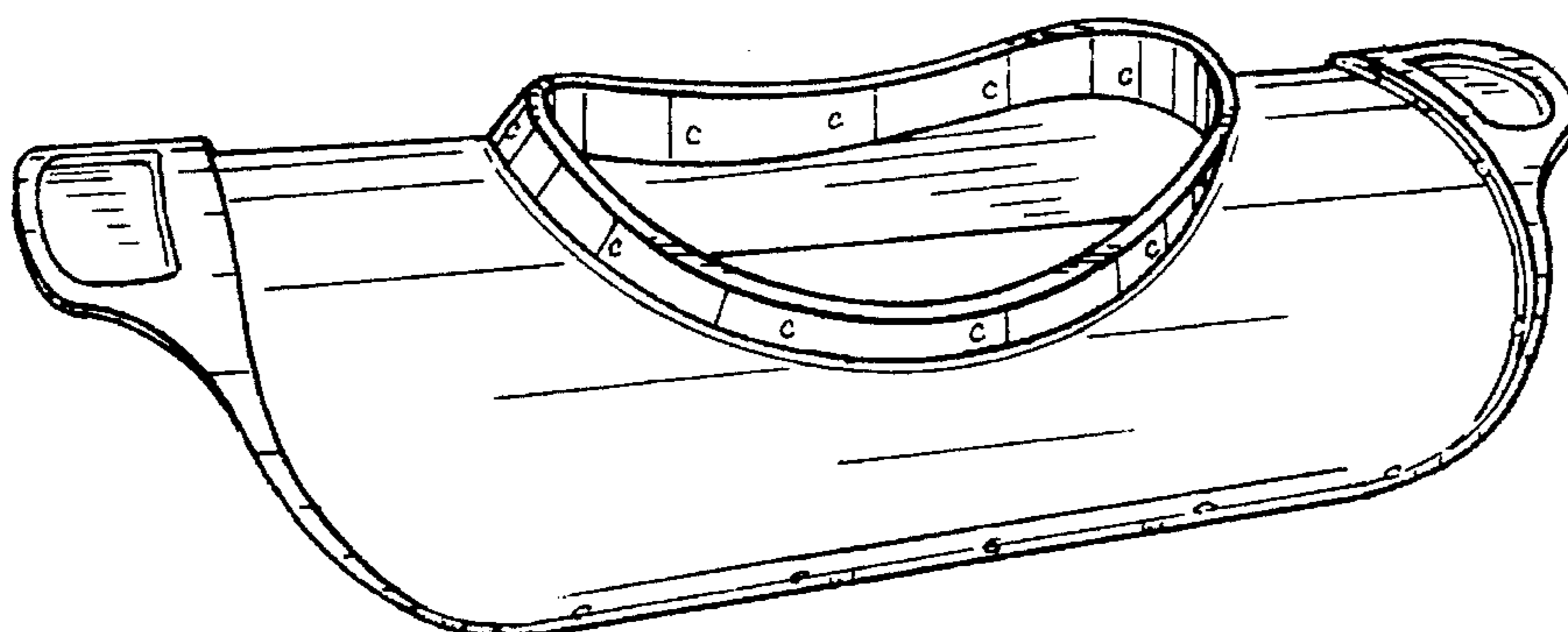


FIG. 4

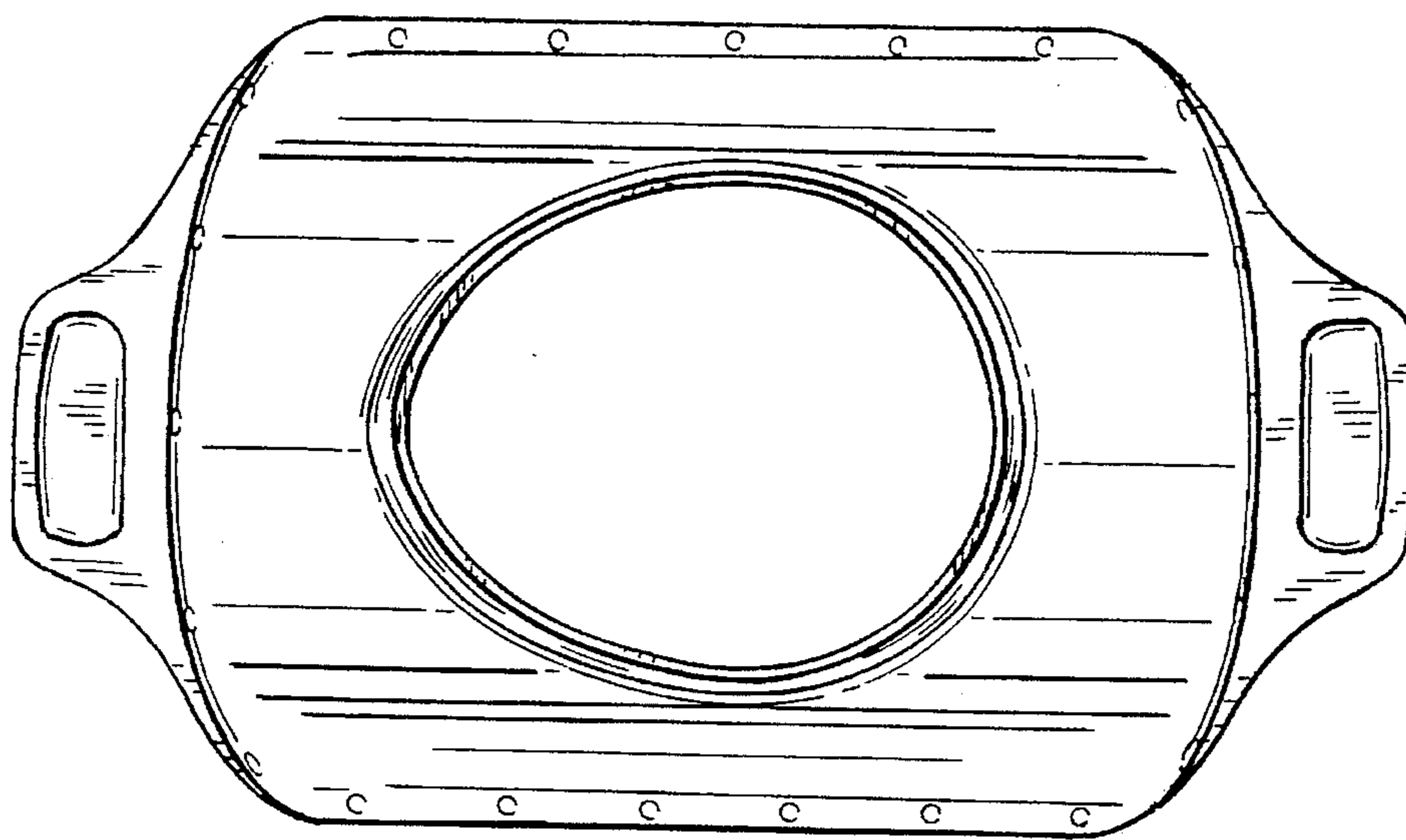


FIG. 5

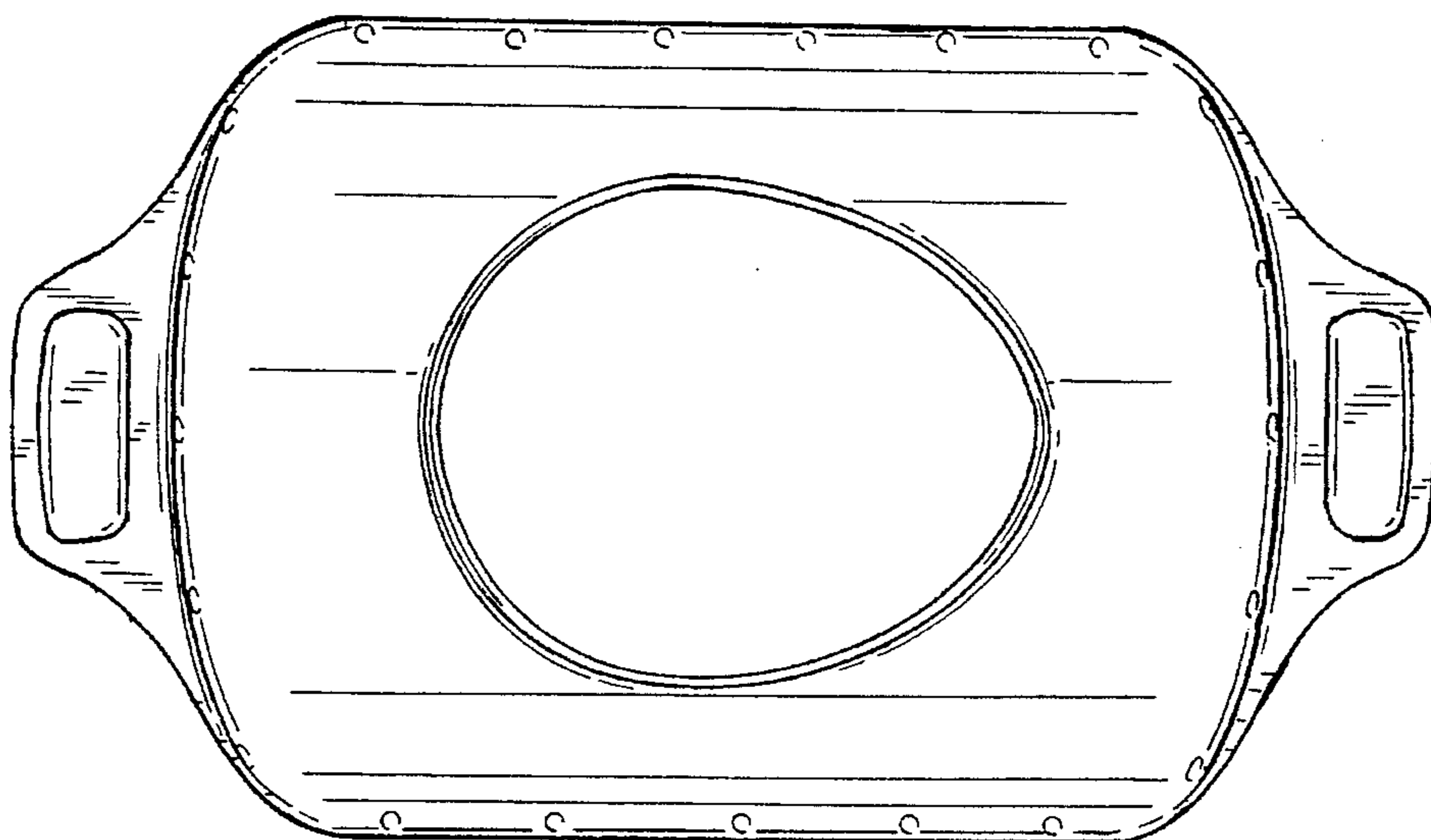


FIG. 6

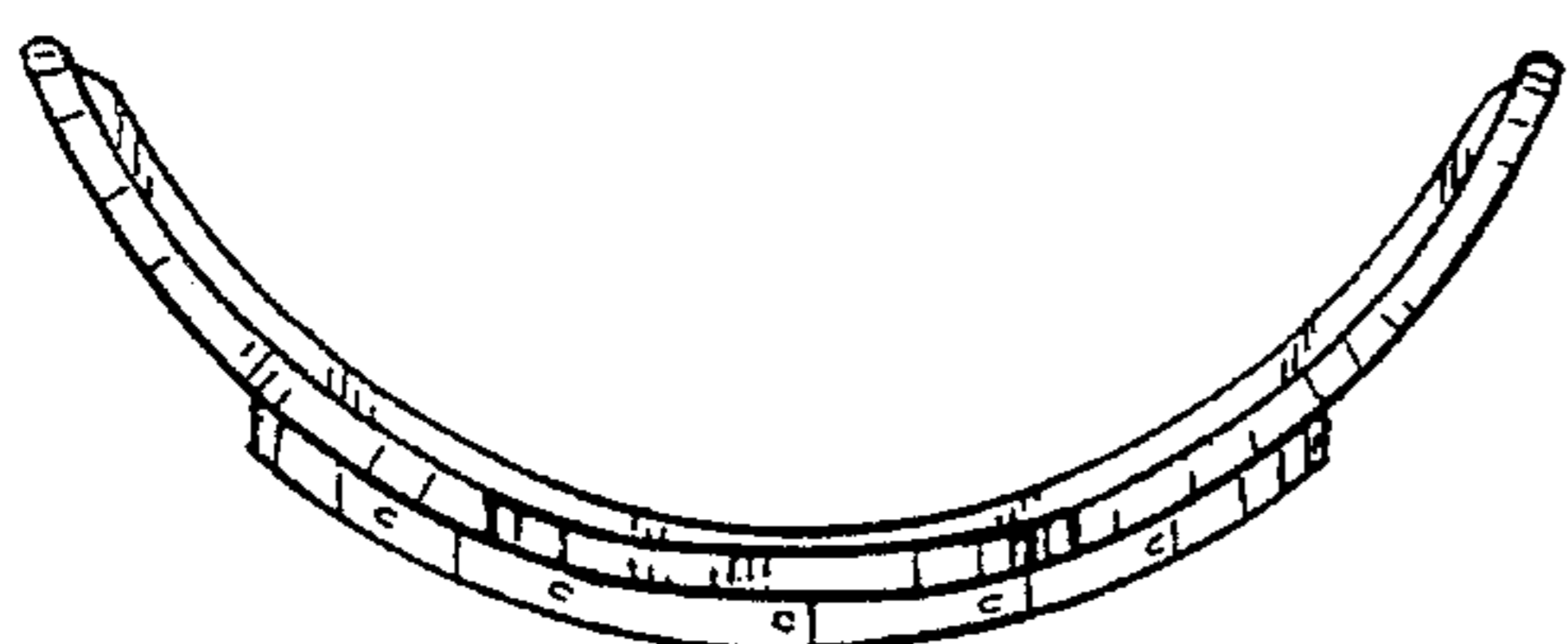


FIG. 7

