



US00D373407S

United States Patent [19]

Macek et al.

[11] **Patent Number:** **Des. 373,407**

[45] **Date of Patent:** ****Sep. 3, 1996**

[54] **FAUCET CONNECTOR**

[75] Inventors: **Thomas J. Macek**, Chicago; **Frank Santapa**, Rosemont, both of Ill.

[73] Assignee: **Selfix, Inc.**, Chicago, Ill.

[**] Term: **14 Years**

[21] Appl. No.: **42,122**

[22] Filed: **Aug. 1, 1995**

[52] **U.S. Cl.** **D23/255**

[58] **Field of Search** D23/238-243,
D23/255-257, 249; 4/675-678, 661; 137/801

[56] **References Cited**

U.S. PATENT DOCUMENTS

D. 326,313	5/1992	Frankel	D23/256
D. 354,550	1/1995	Munoz	D23/256
D. 358,868	5/1995	Hembree et al.	D23/238
3,199,121	8/1965	Greto	4/675
4,706,702	11/1987	Grosseschi	4/675 X

Primary Examiner—Stella Reid

Assistant Examiner—Eric Watterson
Attorney, Agent, or Firm—Dressler, Goldsmith, Shore & Milnamow, Ltd.

[57] **CLAIM**

The ornamental design for a faucet connector, as shown and described.

DESCRIPTION

FIG. 1 is a perspective view of a faucet connector showing our new design;
FIG. 2 is a front elevational view of the faucet connector shown in FIG. 1, the rear elevational view being the mirror image thereof;
FIG. 3 is a right side elevational view of the faucet connector shown in FIG. 1;
FIG. 4 is a left side elevational view of the faucet connector shown in FIG. 1;
FIG. 5 is a top plan view of the faucet connector shown in FIG. 1; and,
FIG. 6 is a bottom plan view of the faucet connector shown in FIG. 1.

1 Claim, 3 Drawing Sheets

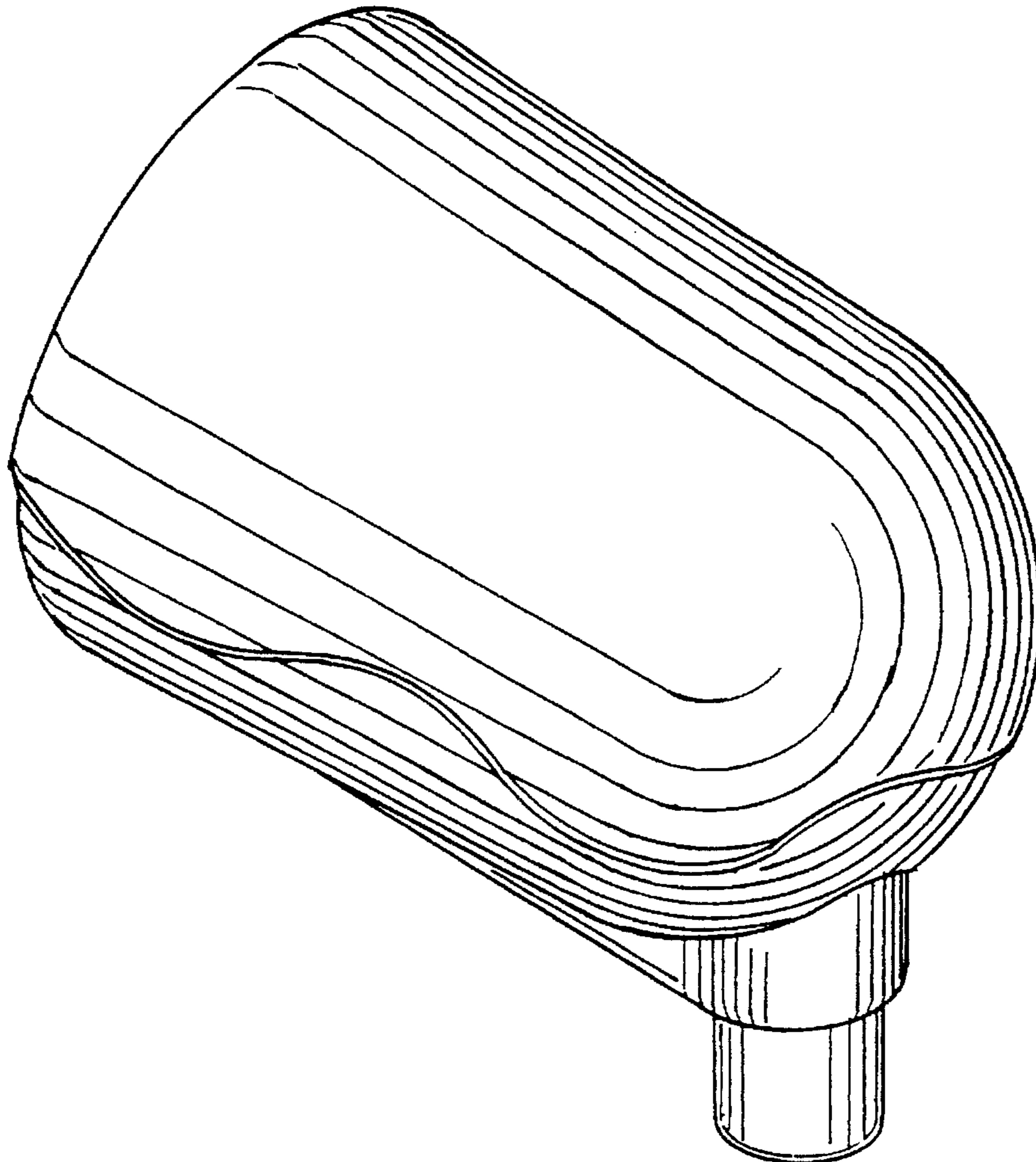


FIG. 1

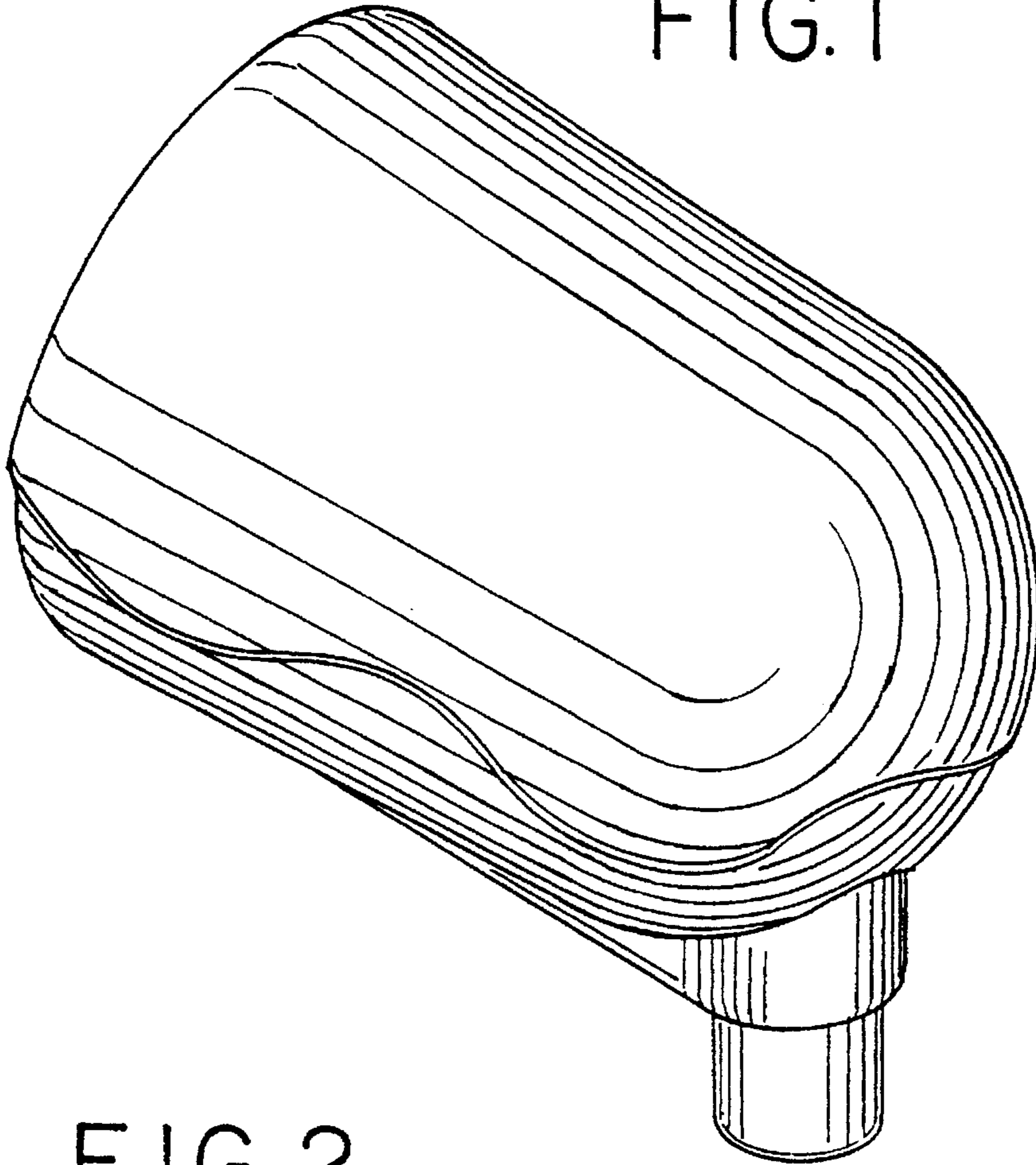


FIG. 2

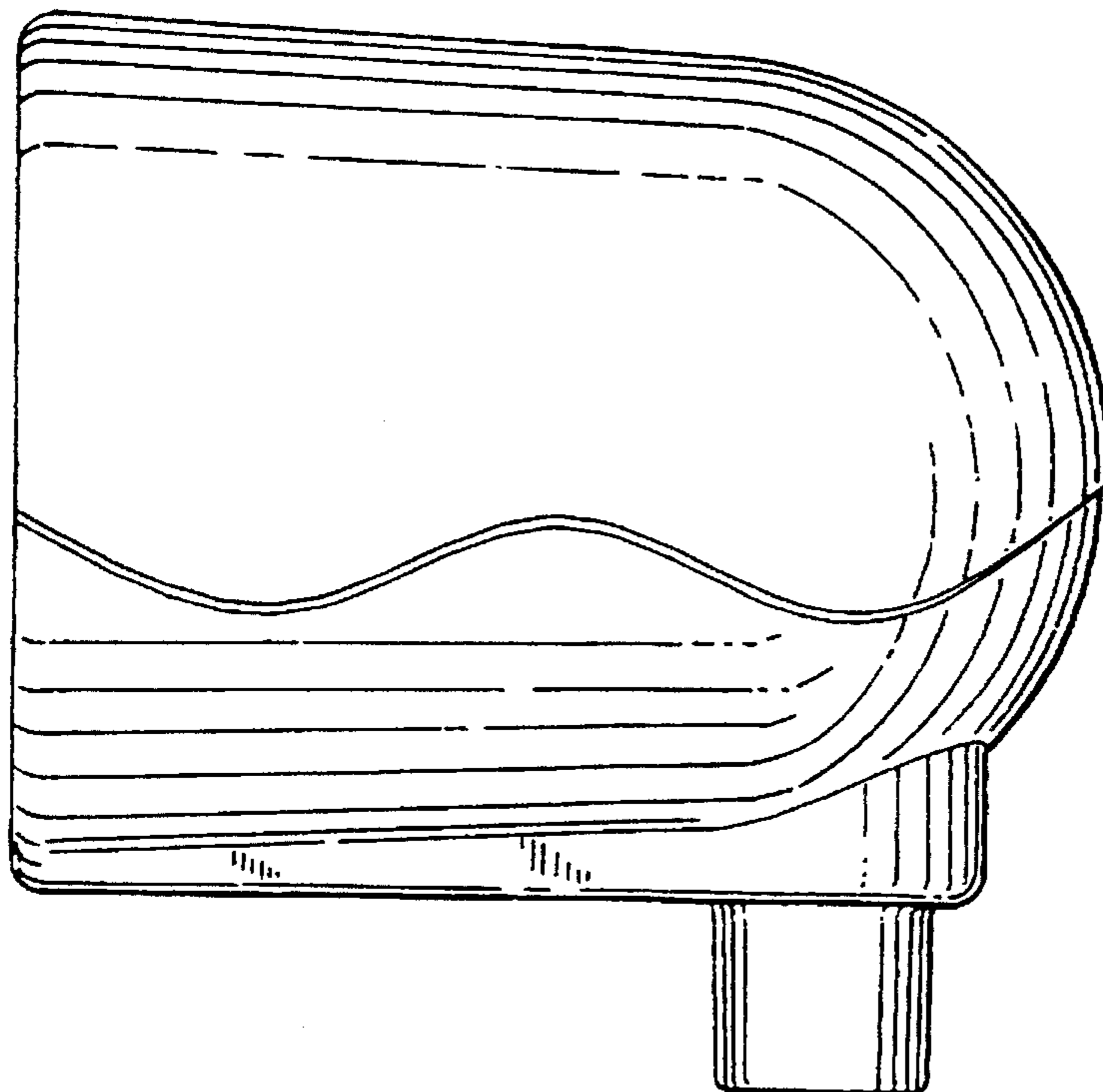


FIG. 3

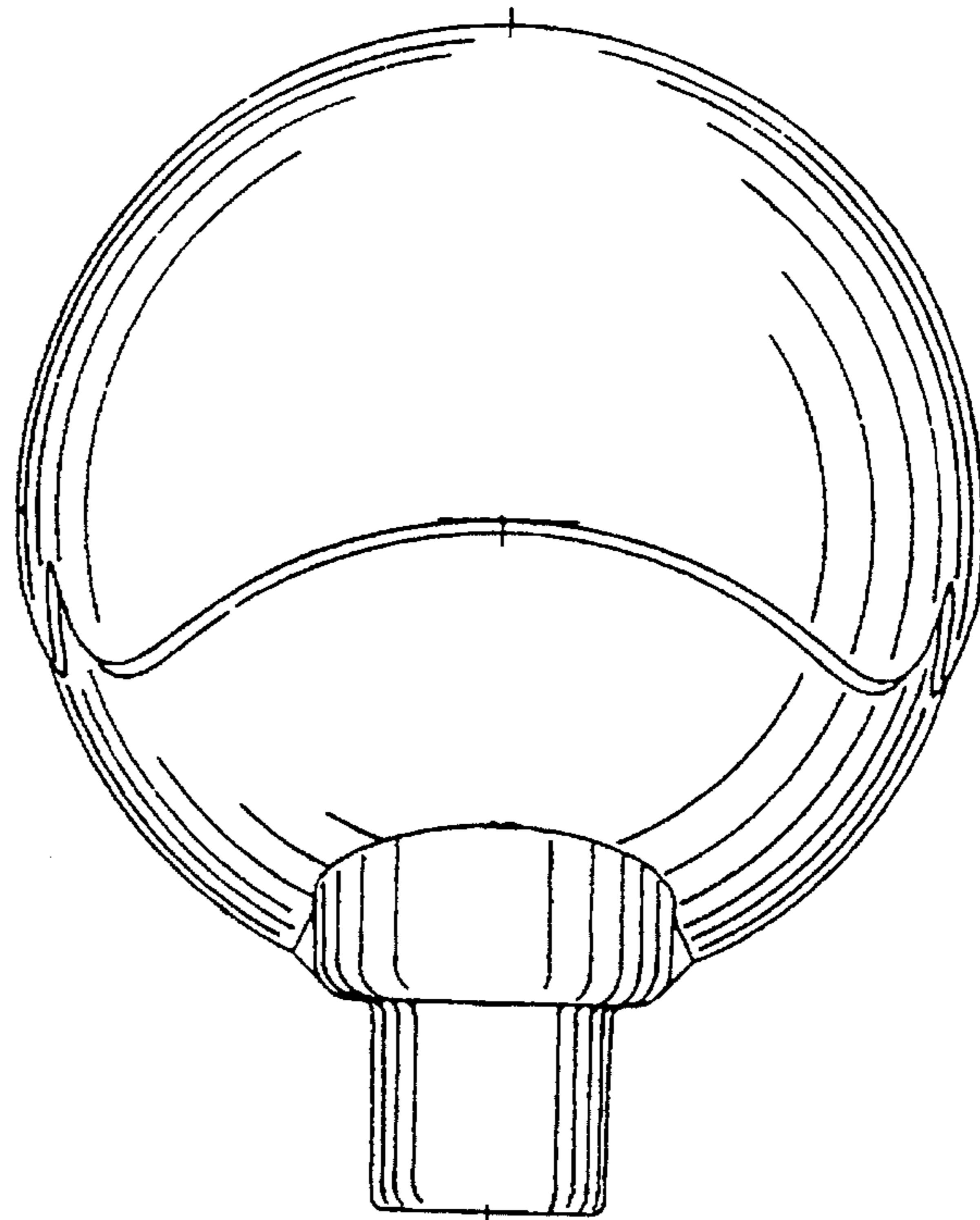


FIG. 4

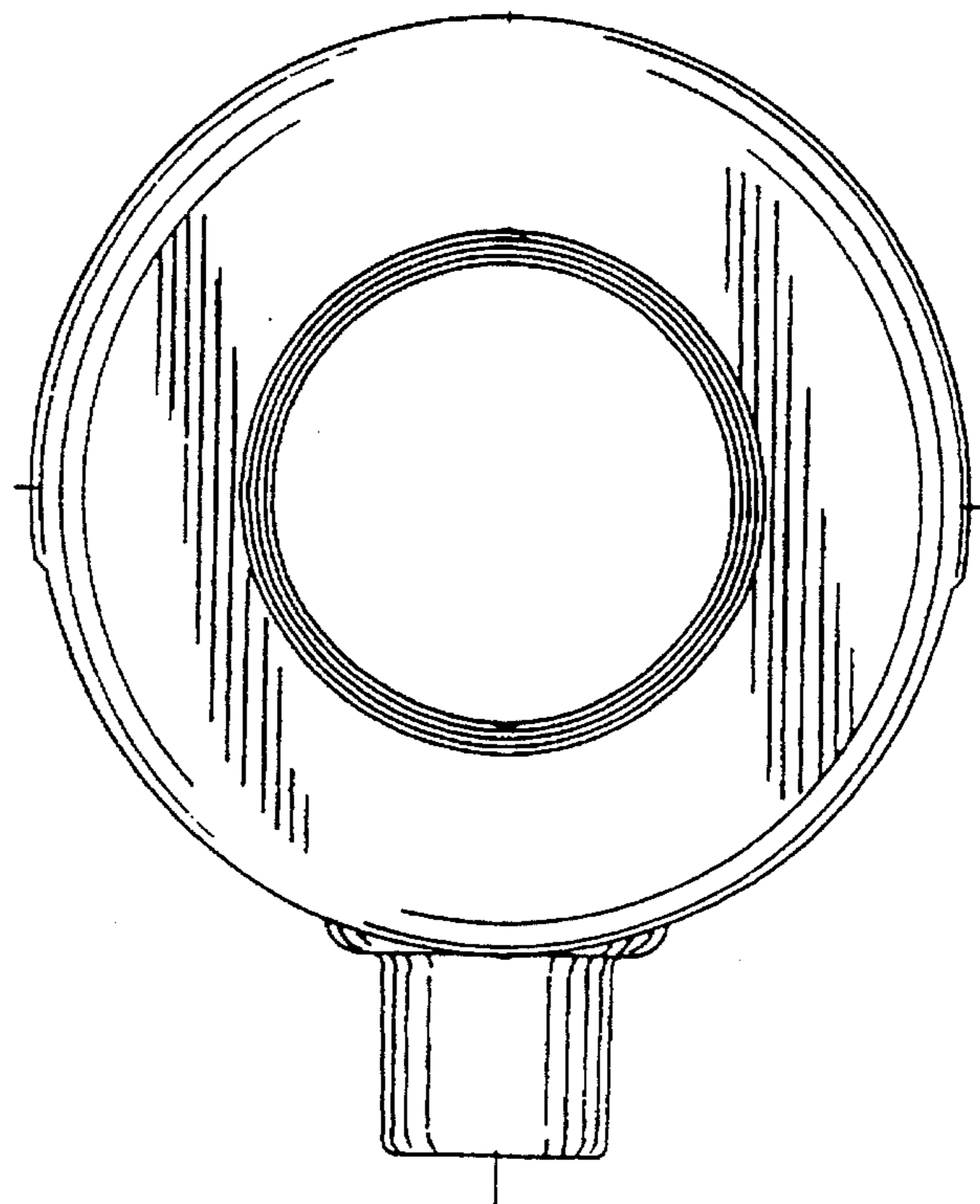


FIG. 5

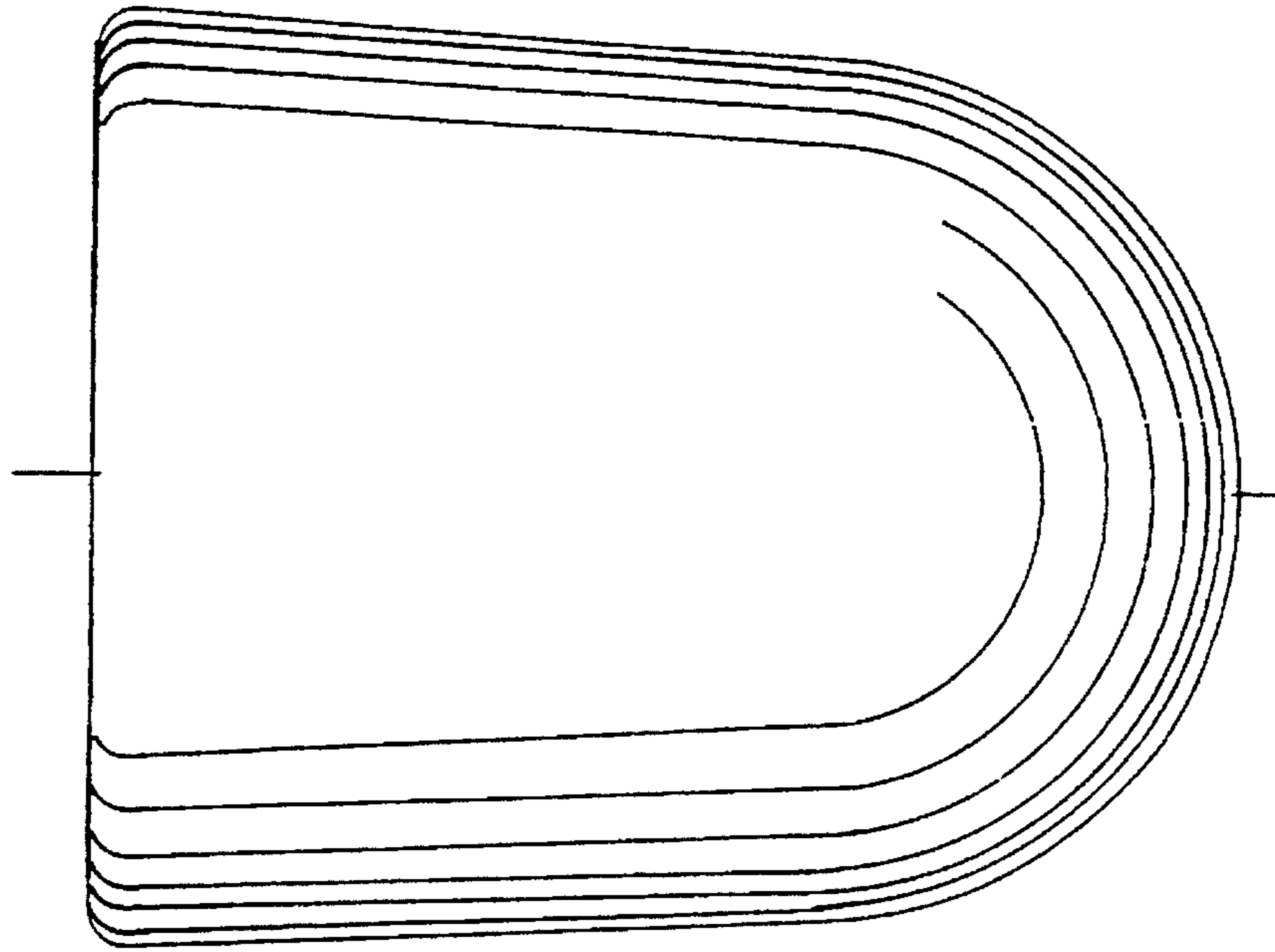


FIG. 6

