



US00D373405S

United States Patent [19]

[11] Patent Number: **Des. 373,405**

Nilsson

[45] Date of Patent: ****Sep. 3, 1996**

[54] **WATER DISTRIBUTION BOX FOR SNOW MAKING MACHINE**

4,223,836 9/1980 Eager 239/14.2
5,004,151 4/1991 Dupre 239/2.2

[76] Inventor: **Lennart Nilsson**, Box 3084, S-831 03 Ostersund, Sweden

Primary Examiner—A. Hugo Word
Assistant Examiner—Robin V. Taylor
Attorney, Agent, or Firm—Larson and Taylor

[**] Term: **14 Years**

[57] **CLAIM**

[21] Appl. No.: **16,787**

The ornamental design for a water distribution box for snow making machine, as shown.

[22] Filed: **Dec. 27, 1993**

DESCRIPTION

[30] **Foreign Application Priority Data**

Jul. 2, 1993 [SE] Sweden 93-1527

[52] **U.S. Cl.** **D23/200**

[58] **Field of Search** D23/200, 202, D23/213; 239/2.1, 2.2, 14.1, 14.2

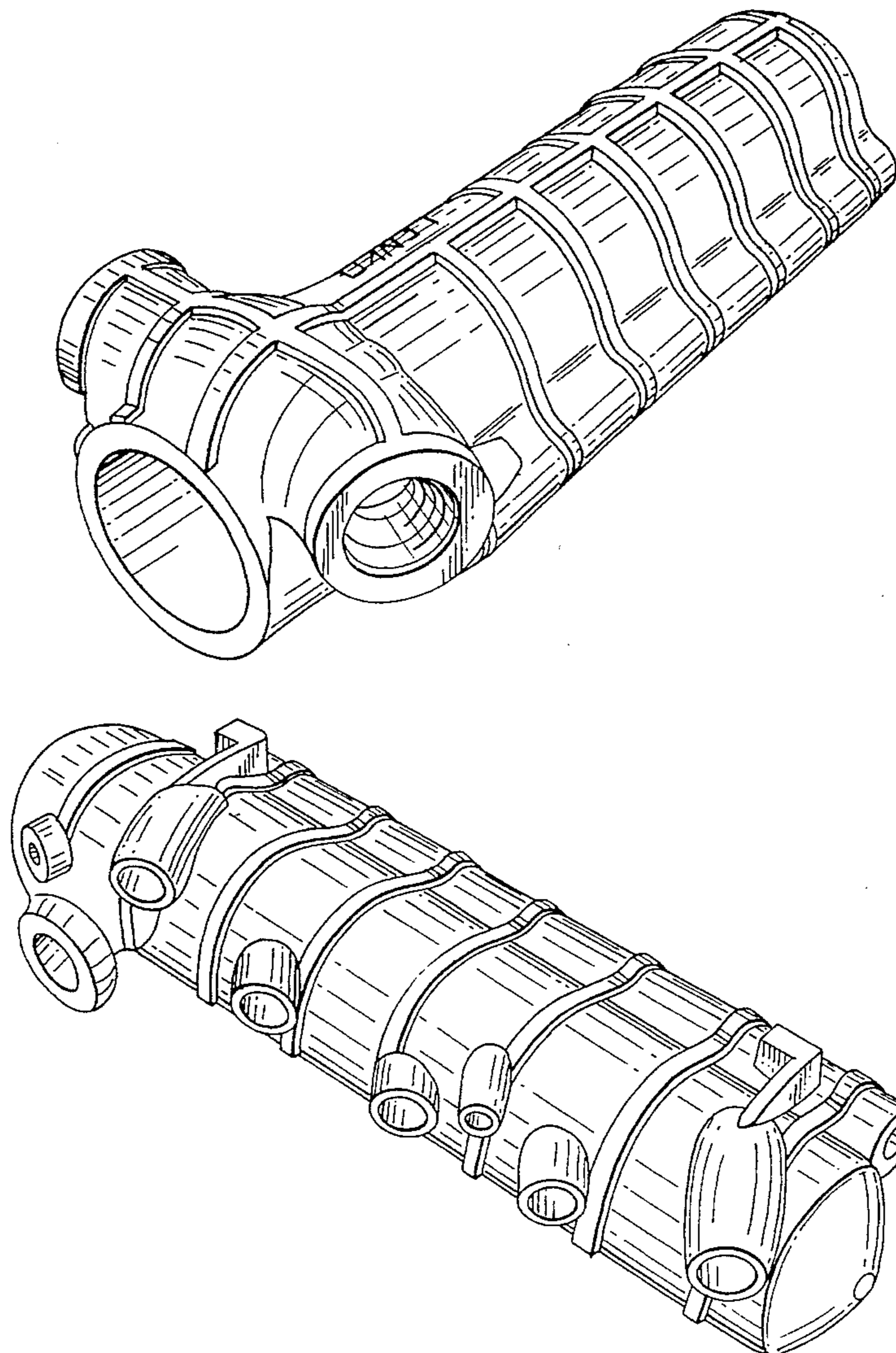
FIG. 1 is a front elevational view of the water distribution box for a snow making machine;
FIG. 2 is a top plan view;
FIG. 3 is a rear elevational view;
FIG. 4 is a left side elevational view;
FIG. 5 is a right side elevational view;
FIG. 6 is a perspective view showing the front and bottom; and,
FIG. 7 is a perspective view showing the rear and top.

[56] **References Cited**

U.S. PATENT DOCUMENTS

D. 271,039 10/1983 Tropeano D23/213
3,761,020 9/1973 Tropeano et al. 239/14.2
4,105,161 8/1978 Kircher et al. 239/14.2

1 Claim, 3 Drawing Sheets



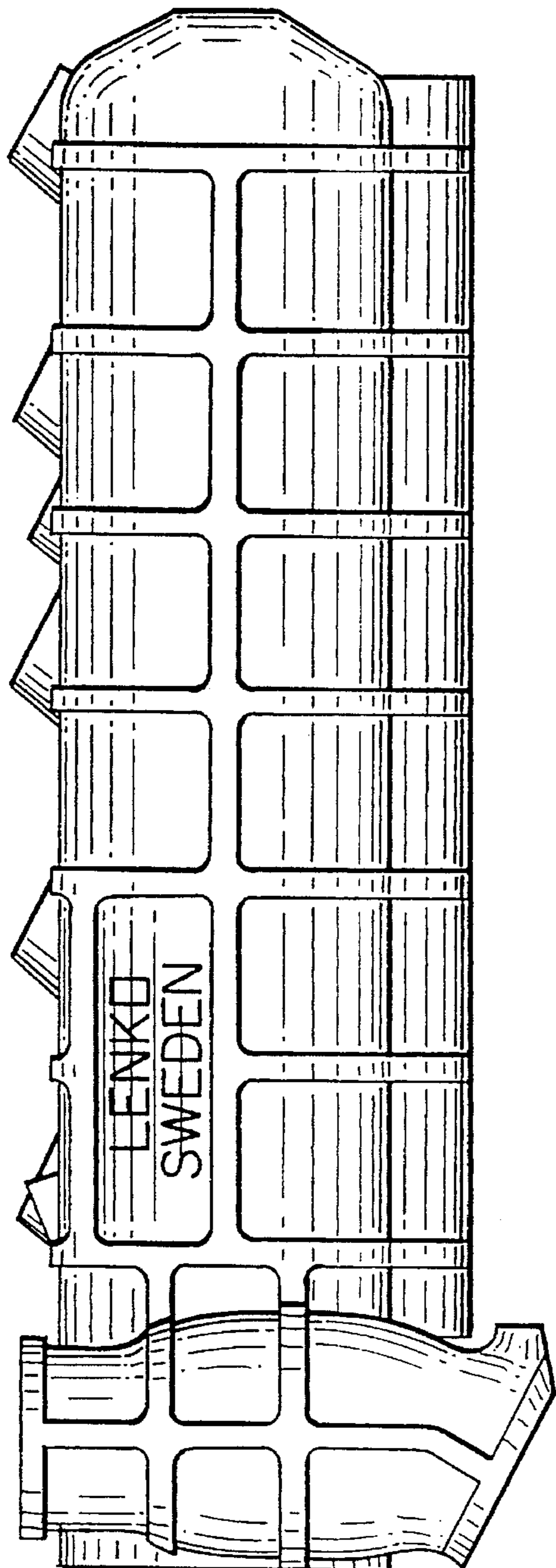


FIG. 1

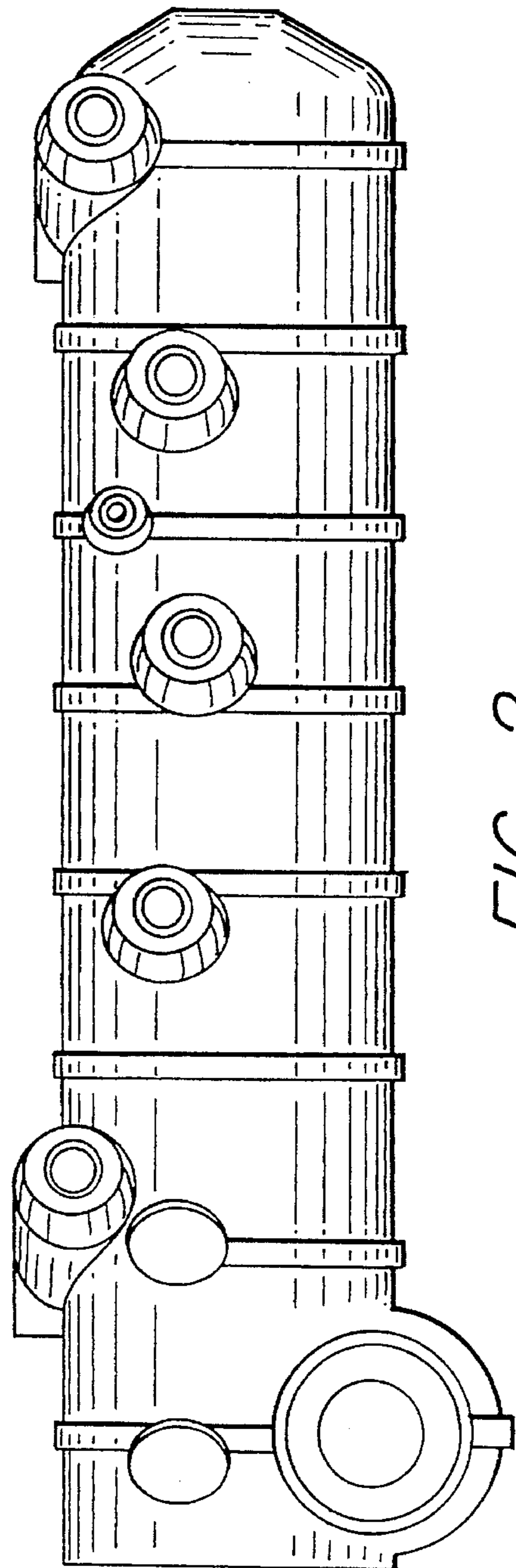


FIG. 2

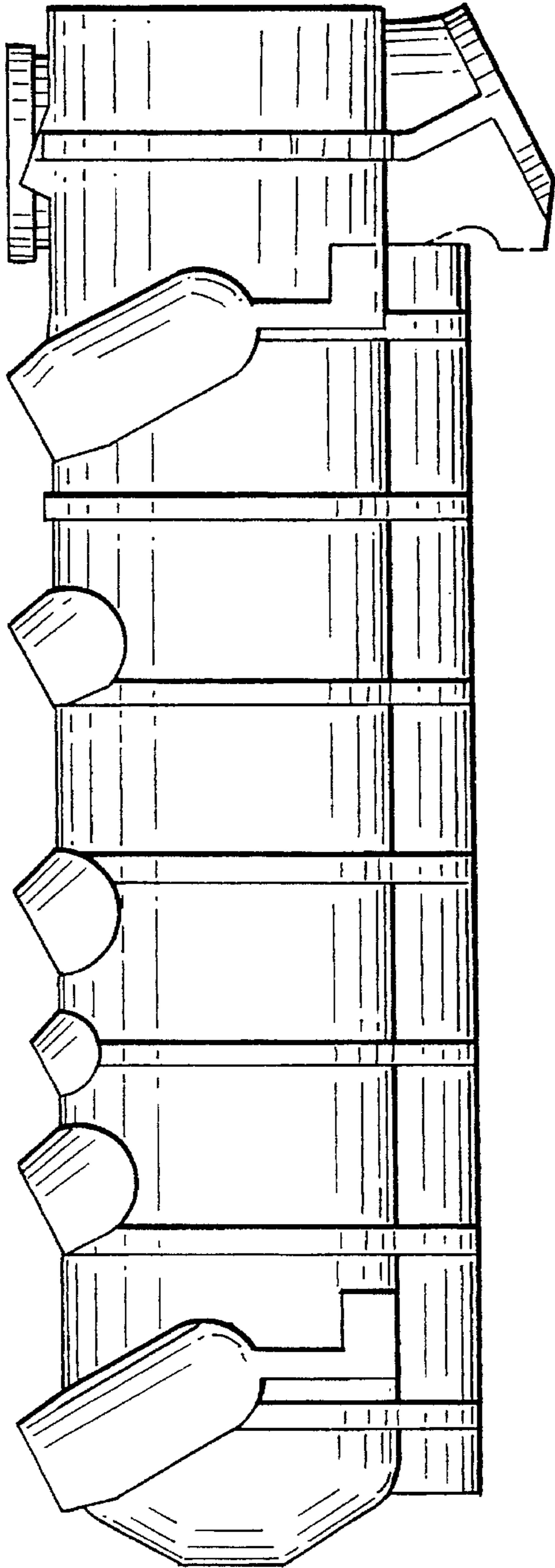


FIG. 3

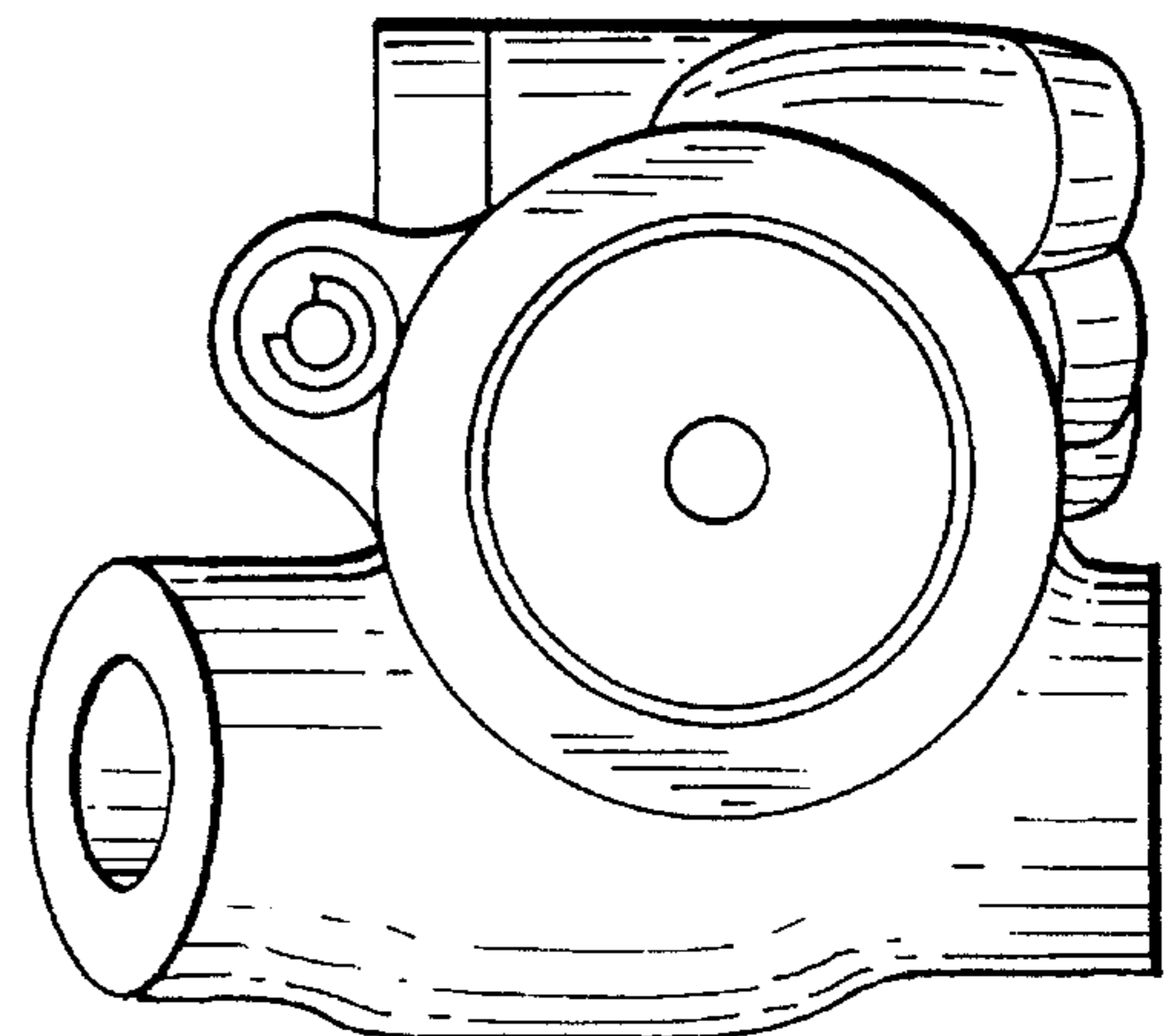


FIG. 4

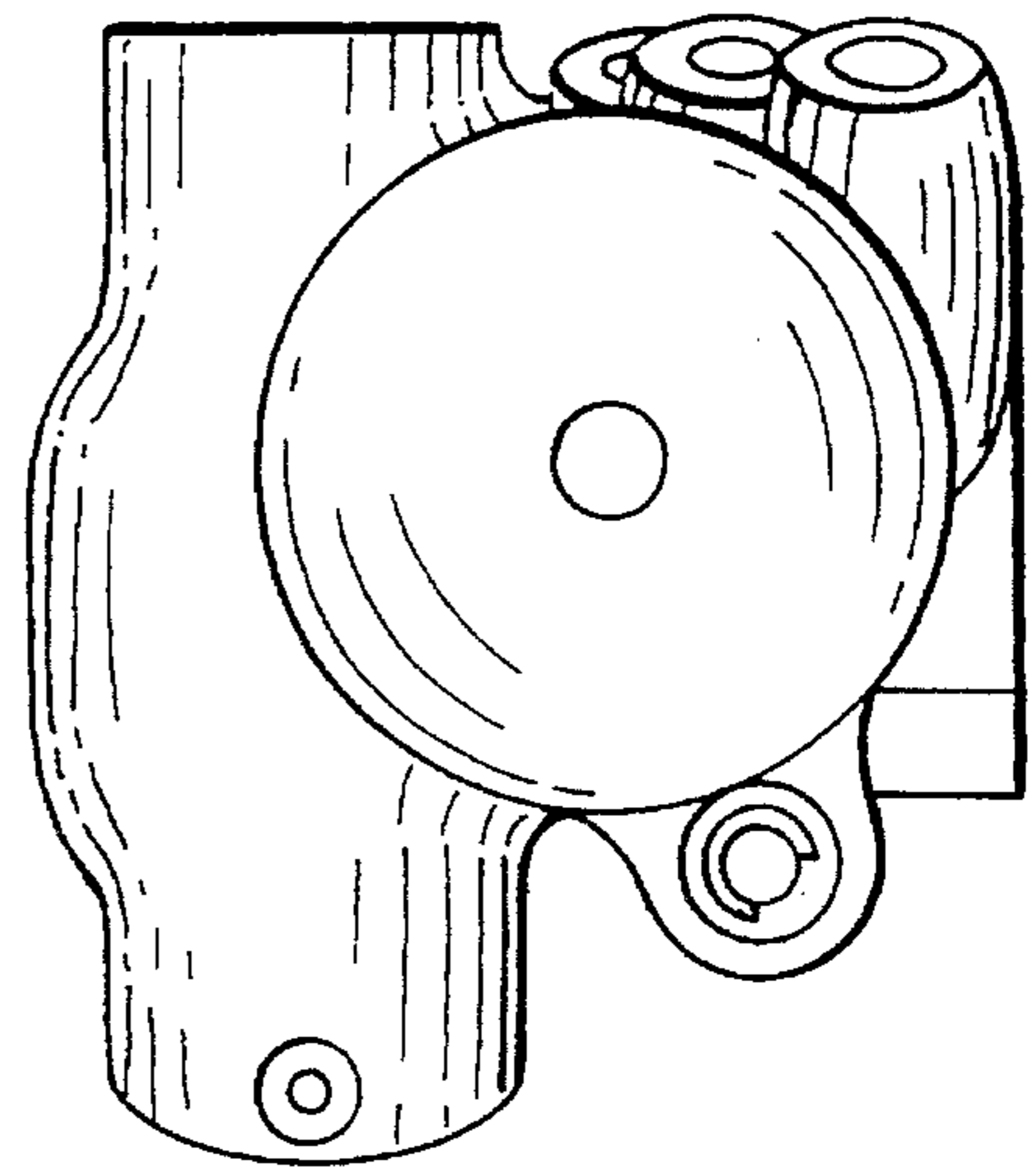


FIG. 5

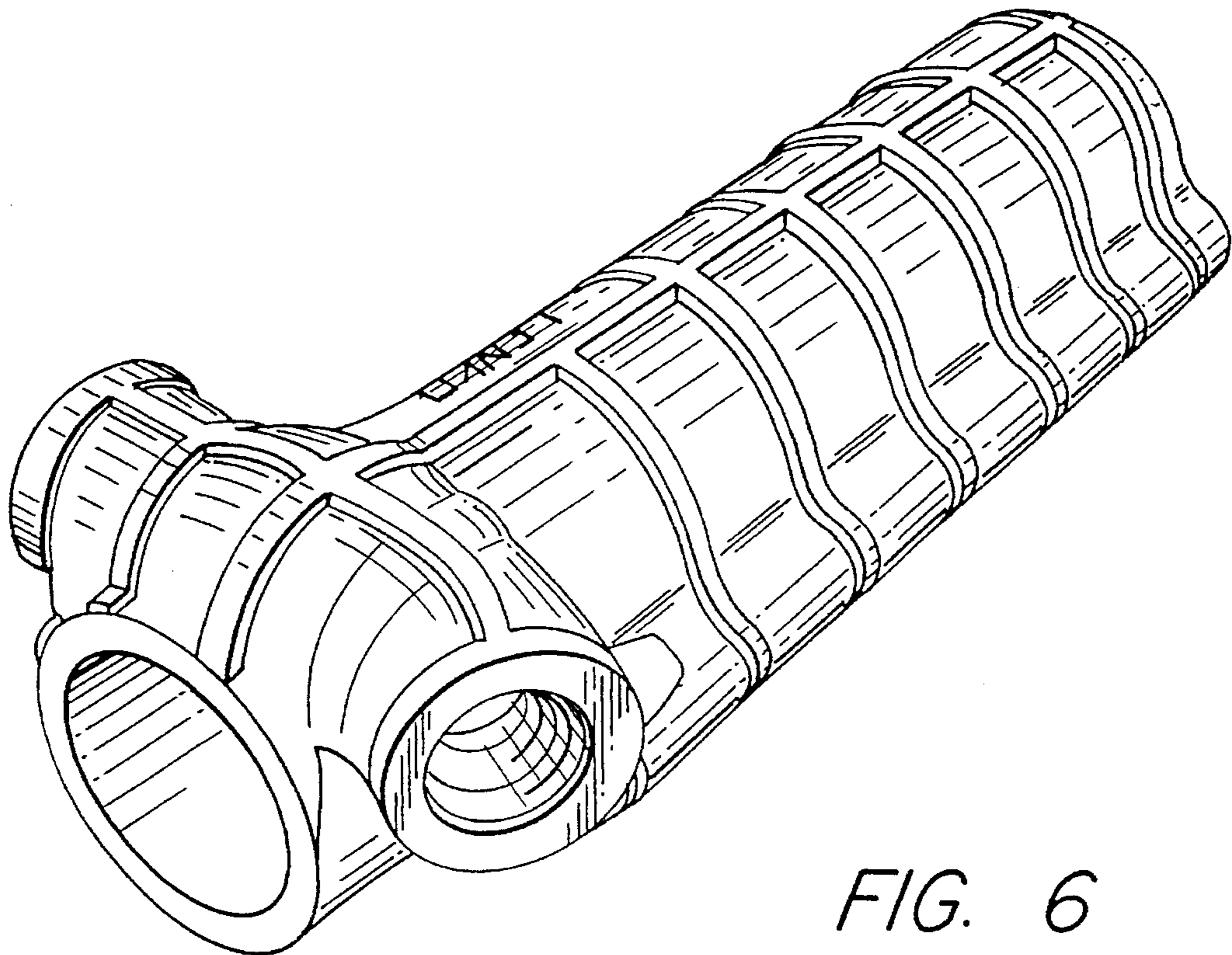


FIG. 6

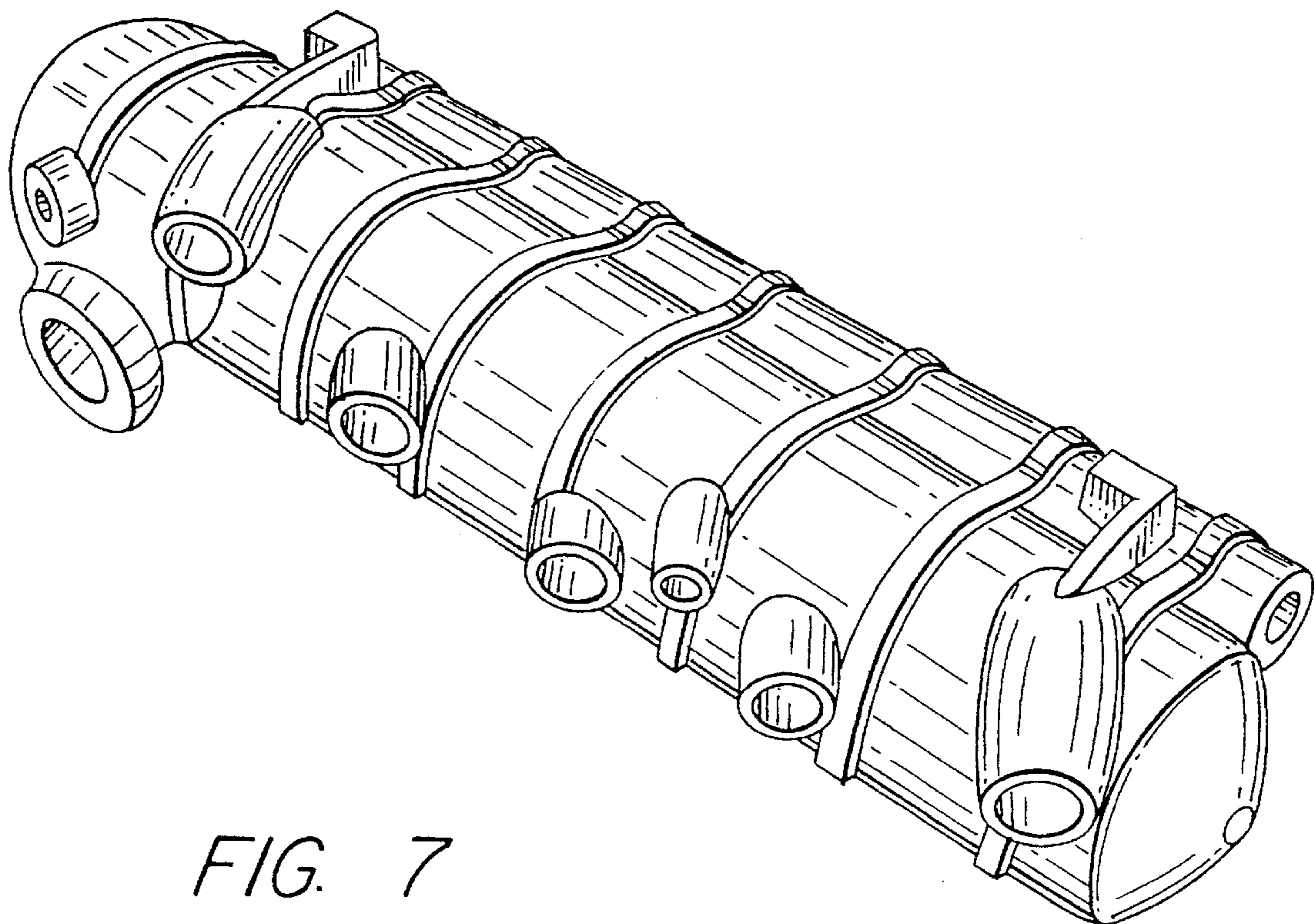


FIG. 7