



US00D373404S

United States Patent [19]

Atherton et al.

[11] Patent Number: **Des. 373,404**

[45] Date of Patent: ****Sep. 3, 1996**

[54] **CRANK HANDLE FOR A FISHING REEL**

[75] Inventors: **Randy L. Atherton; Kent L. Zwayer**, both of Tulsa; **Perry A. Freeman**, Big Cabin, all of Okla.

[73] Assignee: **Zebco Division of Brunswick Corporation**, Tulsa, Okla.

[**] Term: **14 Years**

[21] Appl. No.: **44,062**

[22] Filed: **Sep. 15, 1995**

[52] U.S. Cl. **D22/140**

[58] Field of Search D22/140, 141, D22/137; 242/257, 262, 268, 283, 284, 118.7, 240; 74/545, 547

[56] References Cited

U.S. PATENT DOCUMENTS

D. 281,188	10/1985	Shohoji et al.	D22/140
556,540	3/1896	Hendryx	242/283 X
2,002,403	5/1935	Kosma	242/283 X
4,220,054	9/1980	Kuhlman	74/545
5,064,138	11/1991	Sato	242/268

Primary Examiner—Doris V. Coles
Attorney, Agent, or Firm—Wood, Phillips, VanSanten, Clark & Mortimer

[57] CLAIM

The ornamental design for a crank handle for a fishing reel, shown and described.

DESCRIPTION

FIG. 1 is a front, top and right side perspective view of our crank handle for a fishing reel showing our new design; FIG. 2 is a plan view thereof; FIG. 3 is a right side elevation view thereof; FIG. 4 is a bottom view thereof; FIG. 5 is a left side elevation view thereof; FIG. 6 is a front elevation view thereof; and, FIG. 7 is a rear elevation view thereof.

The portion of the crank handle shown in dotted lines do not constitute a part of the claimed design.

The designations with respect to top, bottom, left side, right side, etc. are arbitrary in that the crank handle is rotatable and can be placed on either side of a fishing reel.

1 Claim, 1 Drawing Sheet

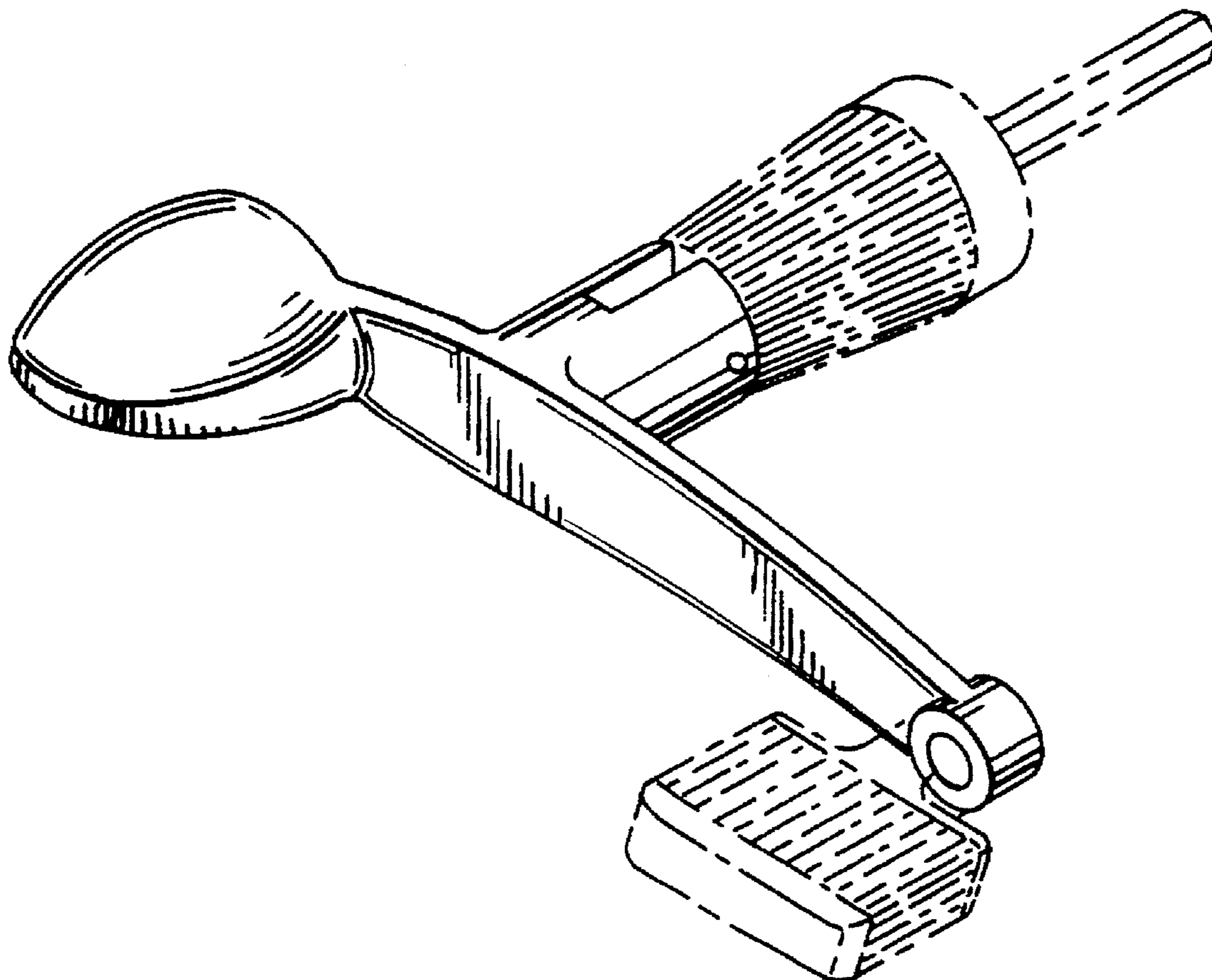


FIG. 1

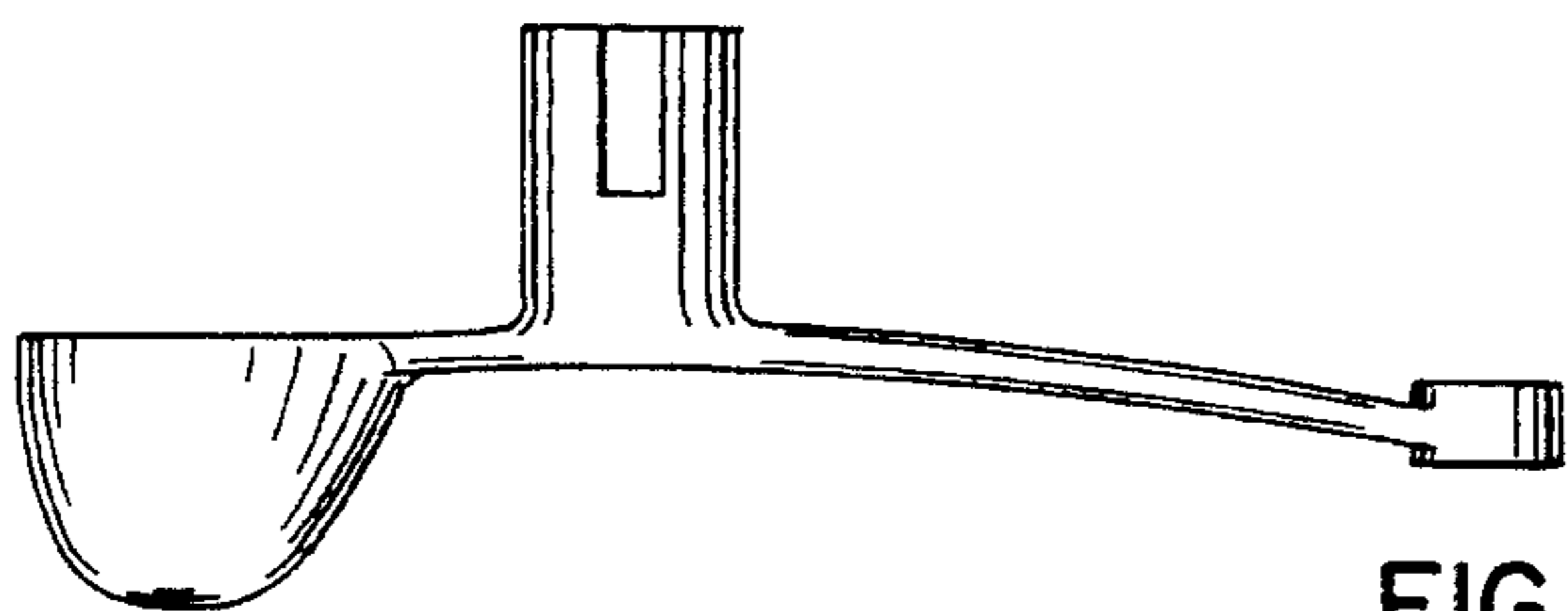
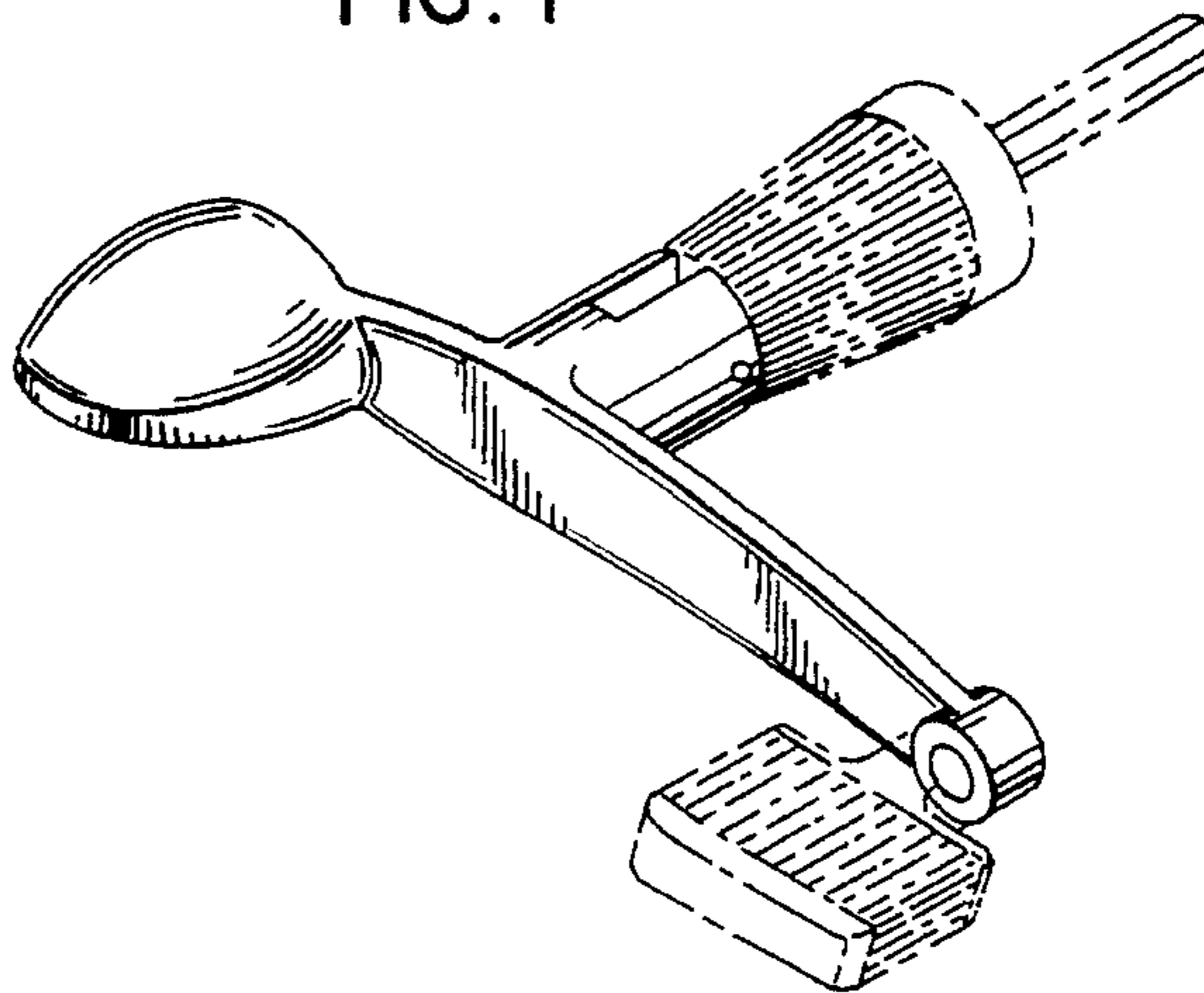


FIG. 2

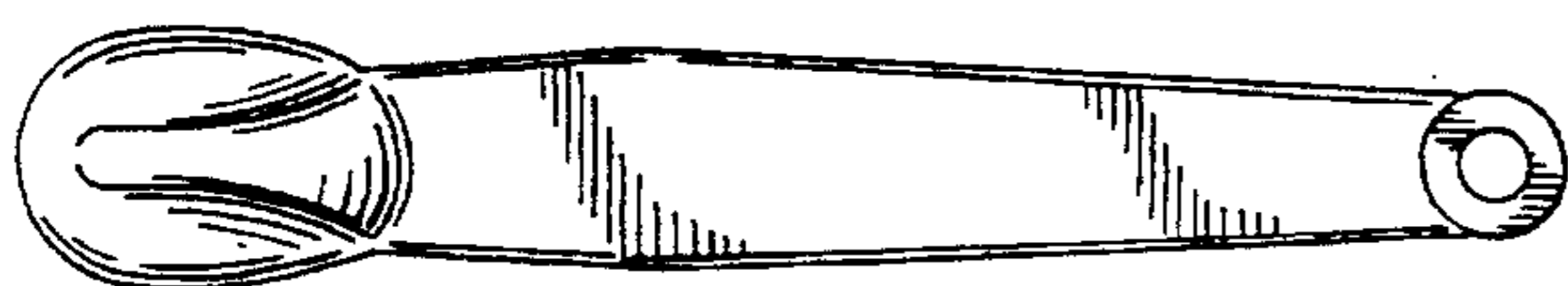


FIG. 3

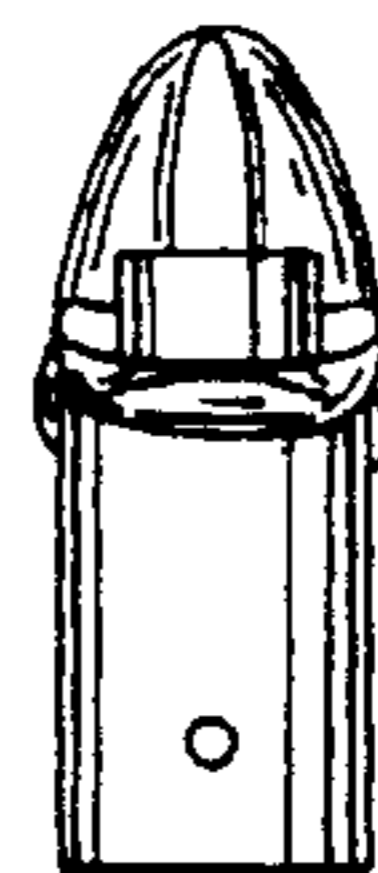


FIG. 6

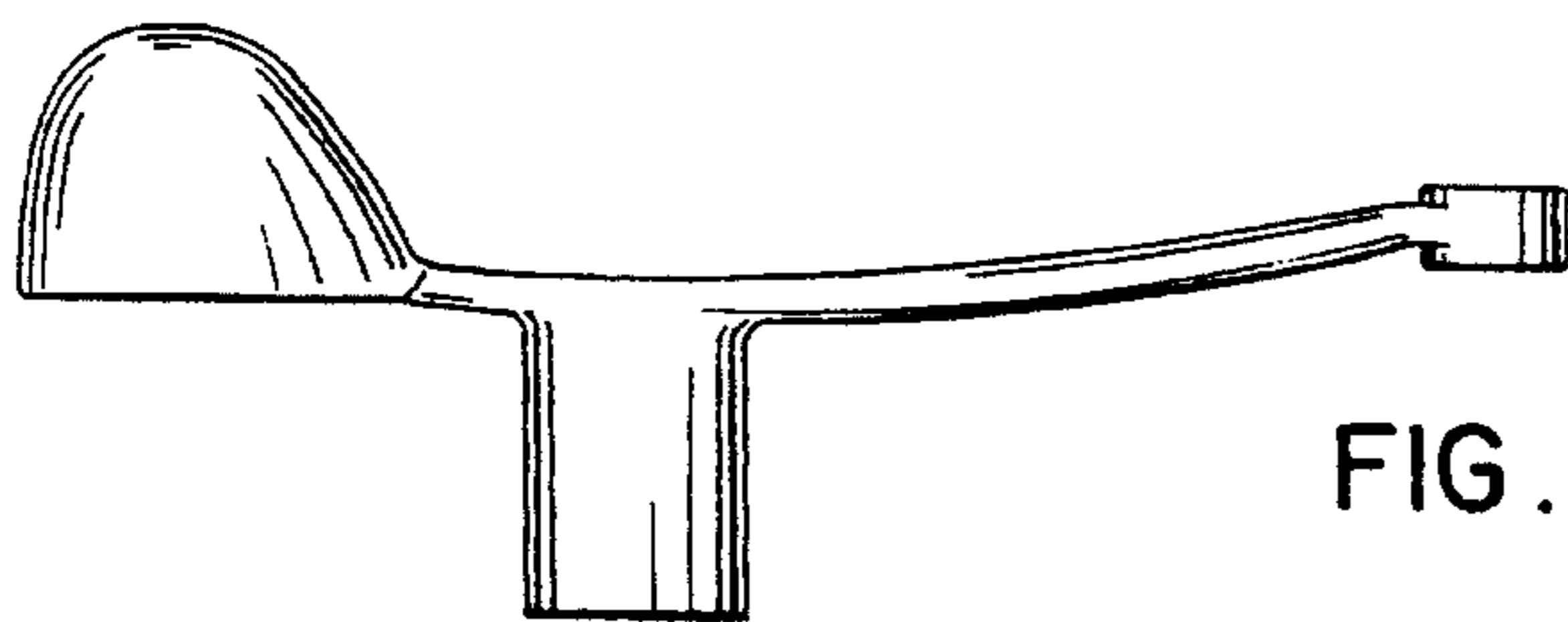


FIG. 4

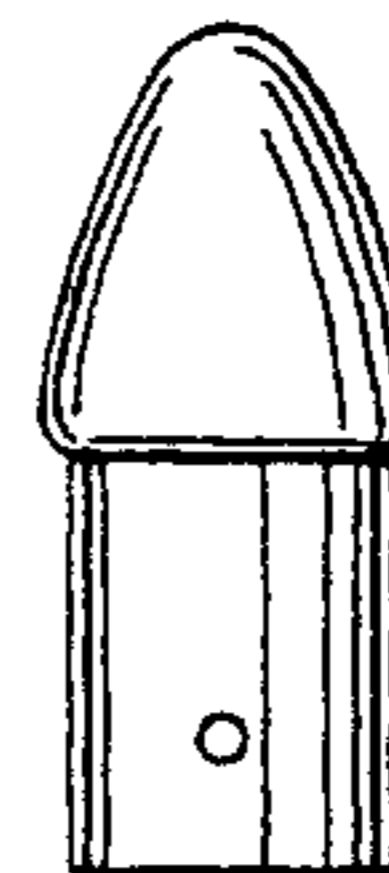


FIG. 7

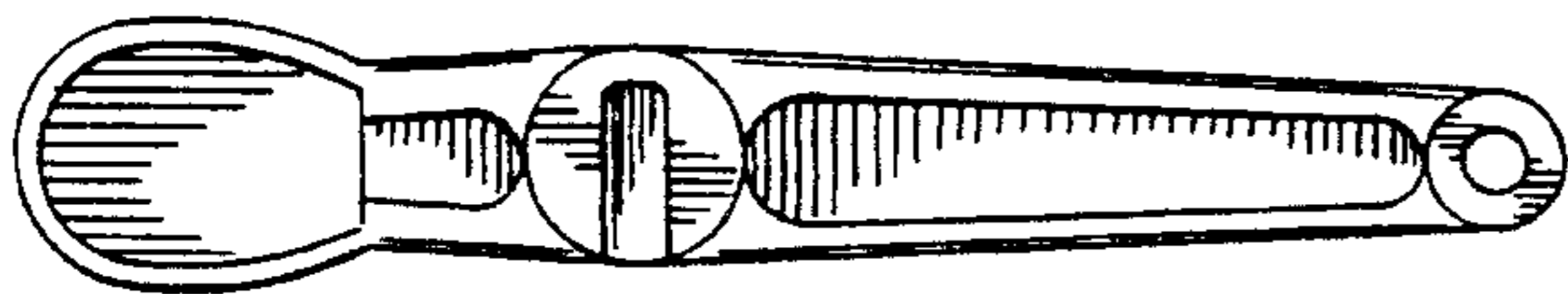


FIG. 5