



US00D373401S

United States Patent [19]
Schempp

[11] **Patent Number:** **Des. 373,401**
[45] **Date of Patent:** ****Sep. 3, 1996**

[54] **GOLF BALL MARK REPAIR TOOL**

[76] Inventor: **H. Edmund Schempp**, P.O. Box 1181,
Ephrata, Wash. 98823

[**] Term: **14 Years**

[21] Appl. No.: **29,377**

[22] Filed: **Oct. 4, 1994**

[52] U.S. Cl. **D21/234**

[58] Field of Search **D21/234; 273/32 B**

[56] **References Cited**

U.S. PATENT DOCUMENTS

D. 209,973	1/1968	Klitzner	D21/234
D. 247,056	1/1978	McClaskie	D21/234
D. 249,814	10/1978	Cudhay, III	D21/234
D. 272,461	1/1984	Burns	D21/234
4,386,774	6/1983	Buckman	273/32 A

Primary Examiner—Sandra L. Morris

Assistant Examiner—Cheri Cohen

Attorney, Agent, or Firm—Wells, St. John, Roberts, Gregory
& Matkin P.S.

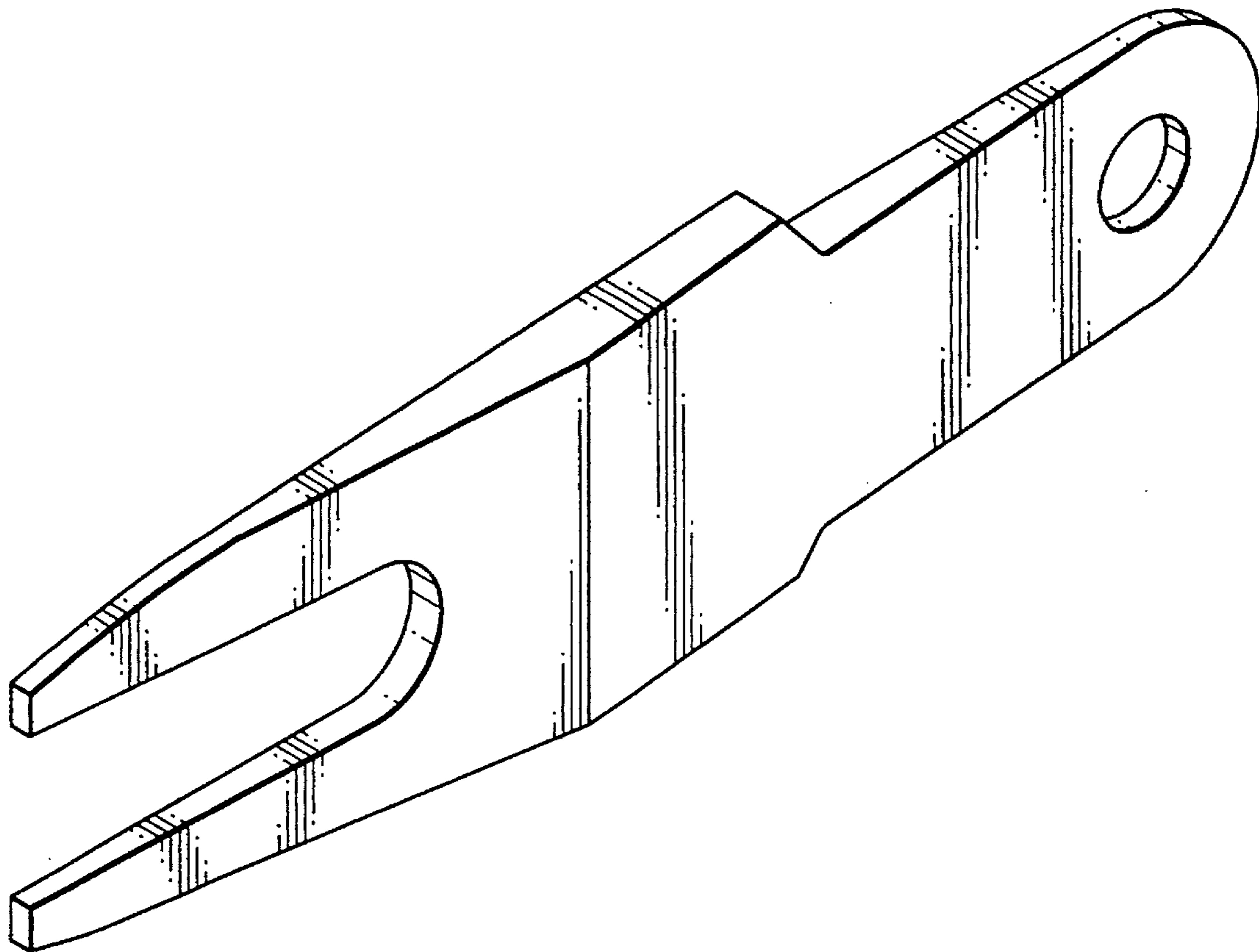
[57] **CLAIM**

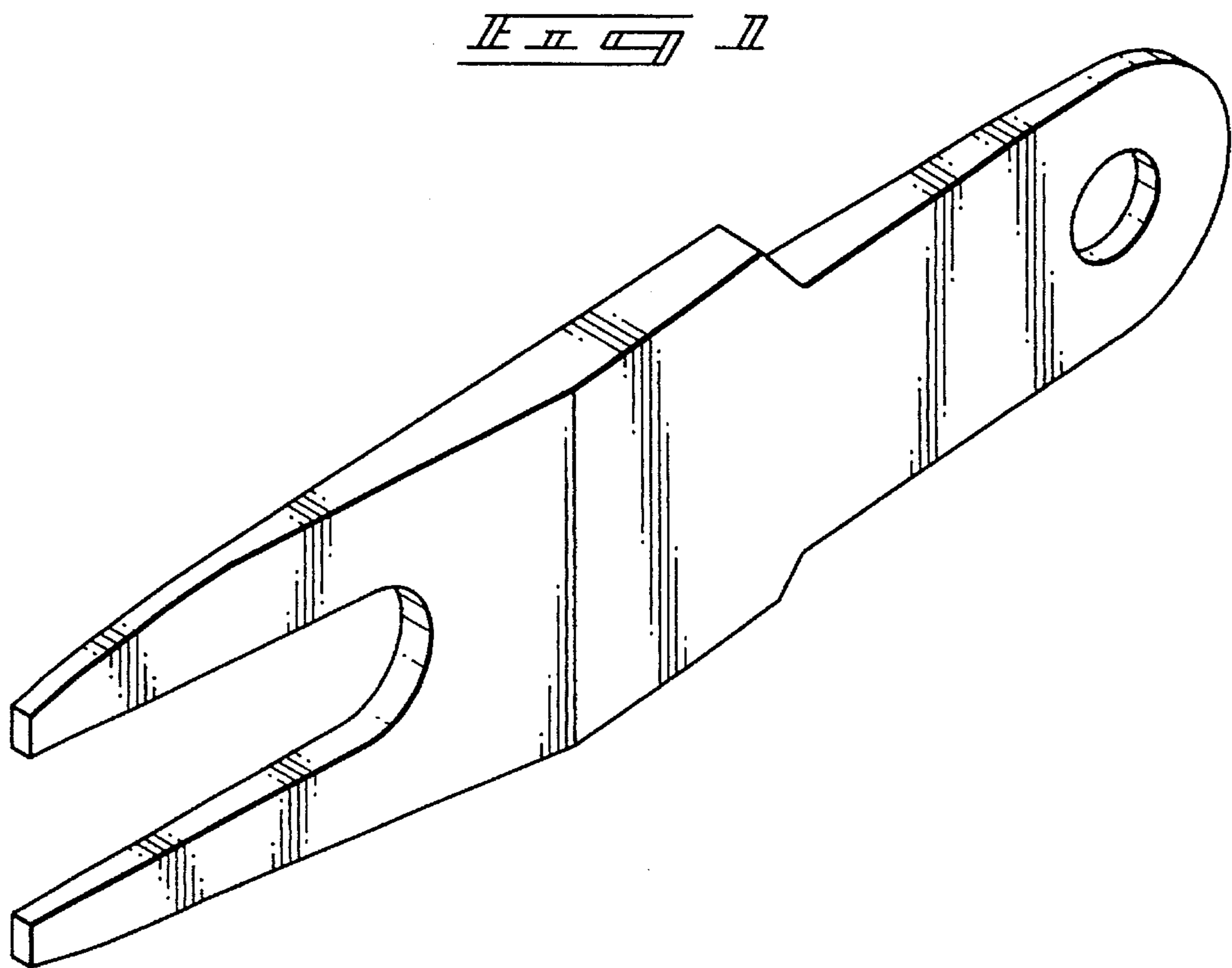
The ornamental design for a golf ball mark repair tool, as shown and described.

DESCRIPTION

FIG. 1 is perspective view of a golf ball mark repair tool showing my new design;
FIG. 2 is a top plan view thereof;
FIG. 3 is a bottom plan view thereof;
FIG. 4 is a side elevation view thereof, the opposite side being a mirror image;
FIG. 5 is an end elevation view thereof as viewed from the left in FIG. 4; and,
FIG. 6 is an end elevation view thereof as viewed from the right in FIG. 4.

1 Claim, 2 Drawing Sheets





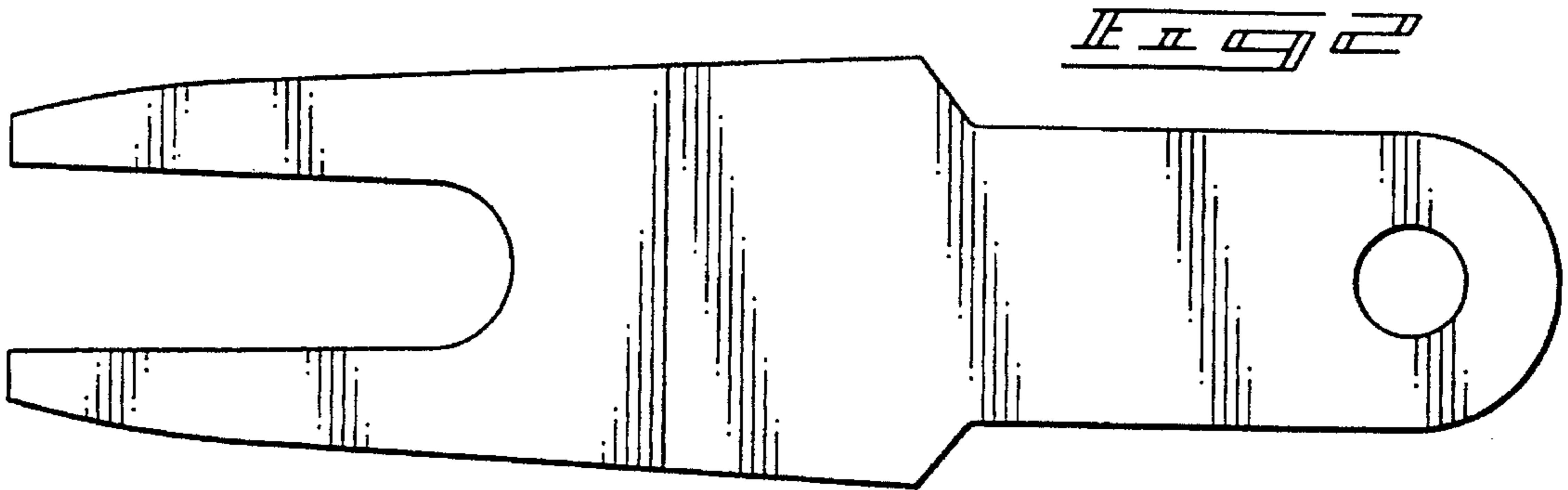


FIG. 2

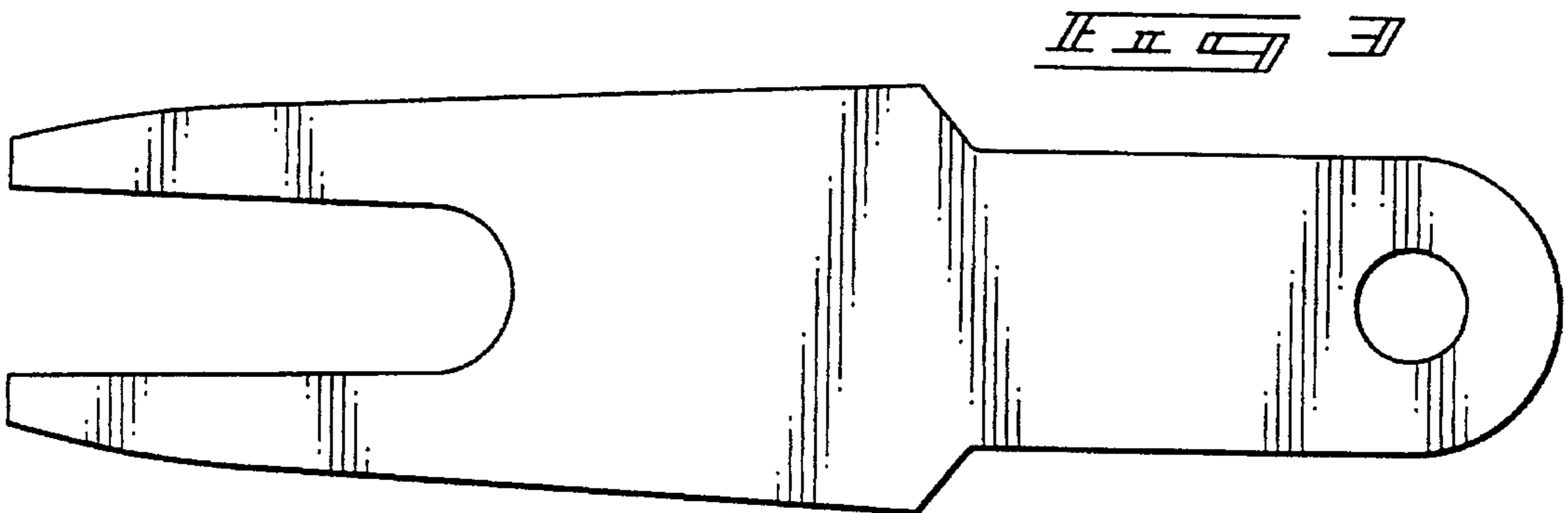


FIG. 3



FIG. 4

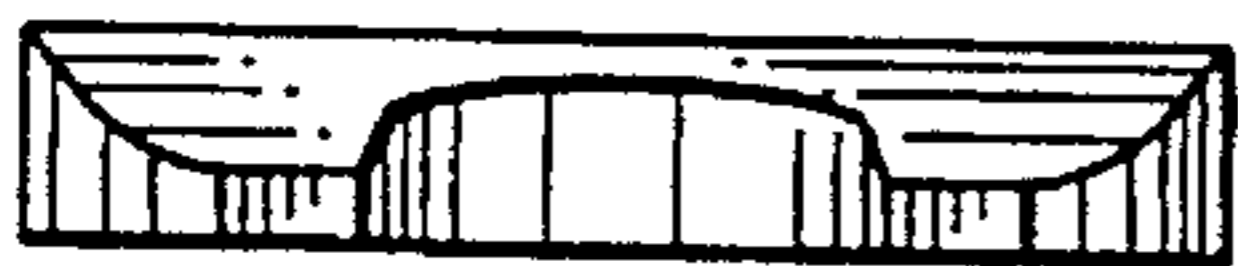


FIG. 5



FIG. 6