



US00D373399S

United States Patent [19]

[11] **Patent Number: Des. 373,399**

Both

[45] **Date of Patent: **Sep. 3, 1996**

[54] **ADAPTOR ICE SKATE BLADE FOR AN INLINE SKATE**

4,114,295 9/1978 Schaefer 280/11.19
4,492,385 1/1985 Olson 280/11.22

[76] Inventor: **Clifford Both**, 55 Colfax Dr.,
Pequannock, N.J. 07440

Primary Examiner—Raphael Barkai

[**] Term: **14 Years**

[57] CLAIM

[21] Appl. No.: **46,998**

The ornamental design for adaptor ice skate blade for an inline skate, as shown and described.

[22] Filed: **Nov. 24, 1995**

DESCRIPTION

[52] U.S. Cl. **D21/225**

[58] Field of Search D21/224-227,
D21/230; D2/904; 280/7.13, 7.14, 11.2,
11.19, 11.22, 11.26, 11.27, 816, 811

FIG. 1 is a front elevational view of the adaptor ice skate blade for an inline skate showing my new design;
FIG. 2 is a rear elevational view thereof;
FIG. 3 is a right view thereof;
FIG. 4 is a left view thereof;
FIG. 5 is a top plan view thereof;
FIG. 6 is a bottom plan view thereof; and,
FIG. 7 is an isometric view thereof.

[56] References Cited

U.S. PATENT DOCUMENTS

D. 272,555	2/1984	Nasineva	D21/225
1,527,840	2/1925	Chomin	280/7.13
1,530,211	3/1925	Siemnash	280/7.13
2,998,260	8/1961	Meyer	280/7.13
3,351,353	11/1967	Weitzner	280/7.13

The broken line showing of the inline skate and wheels in FIG. 1 is for illustrative purposes only and forms no part of the claimed design.

1 Claim, 3 Drawing Sheets

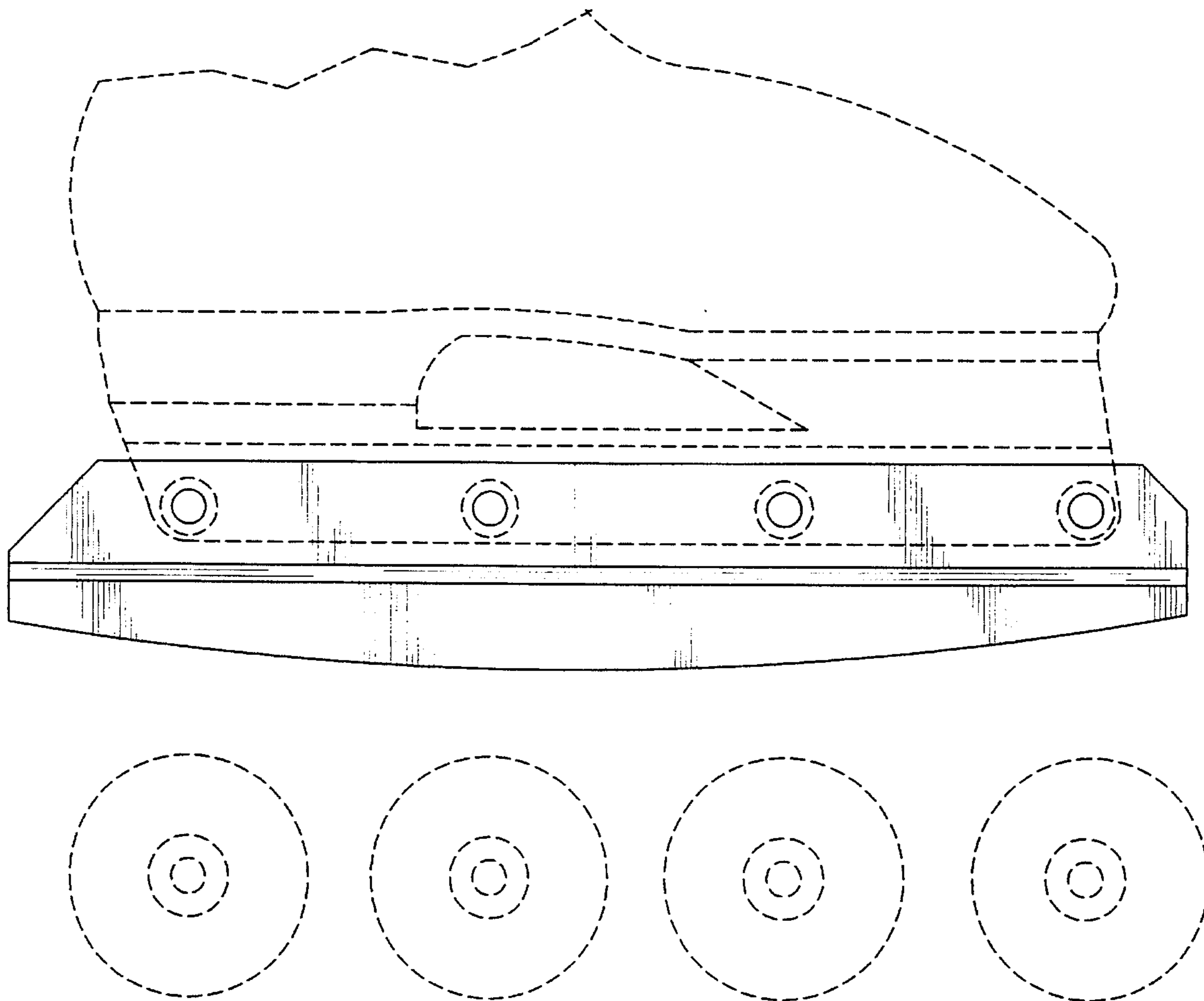


FIG. 1

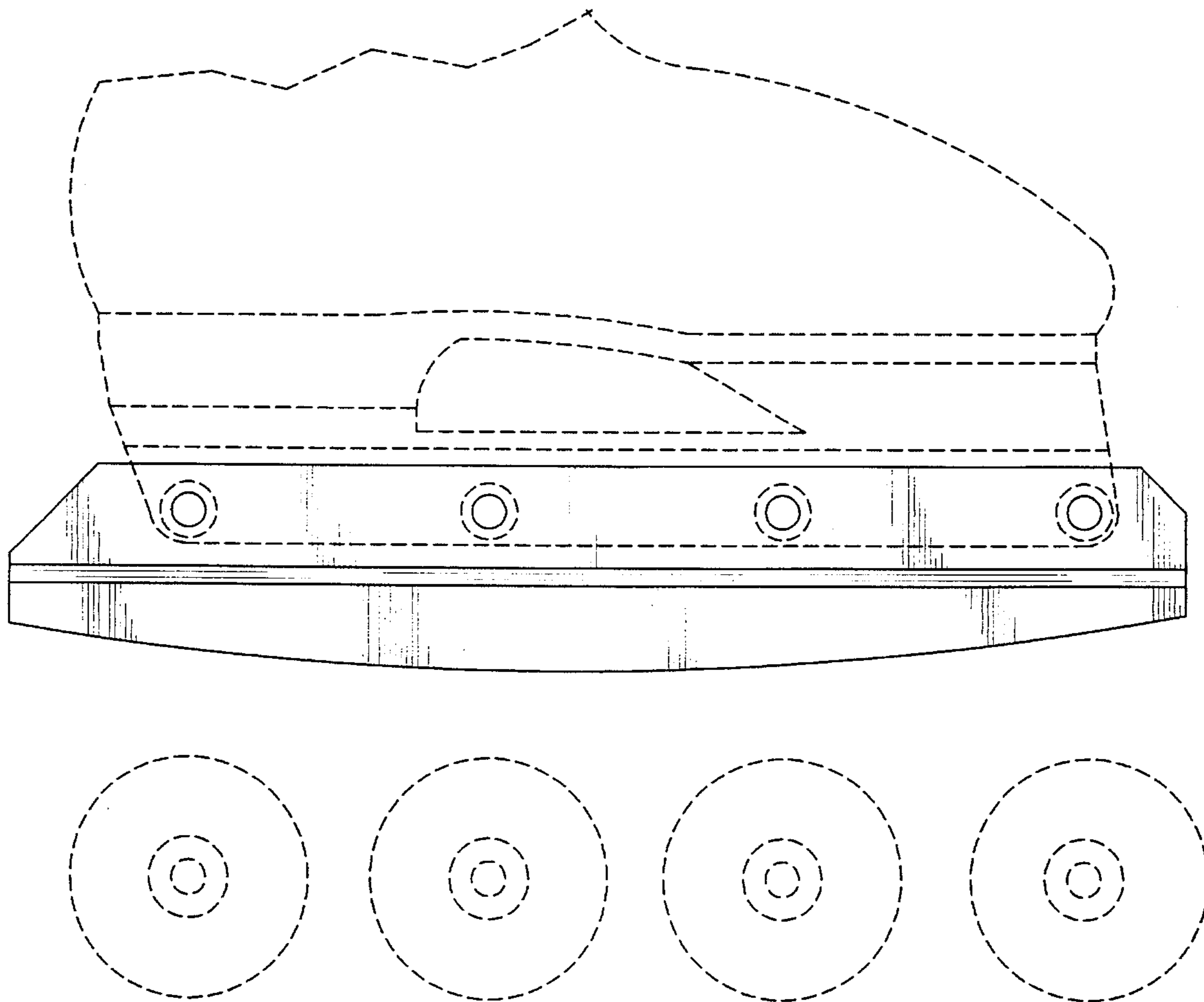


FIG. 2

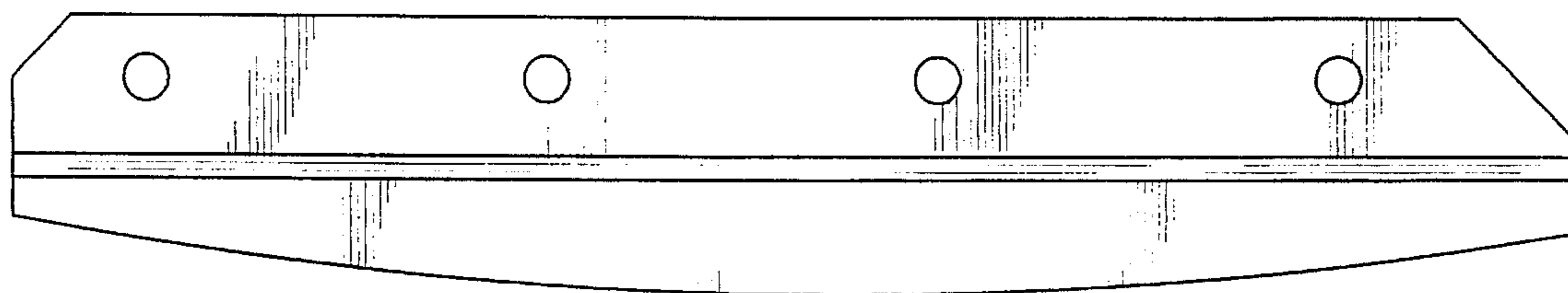


FIG. 3

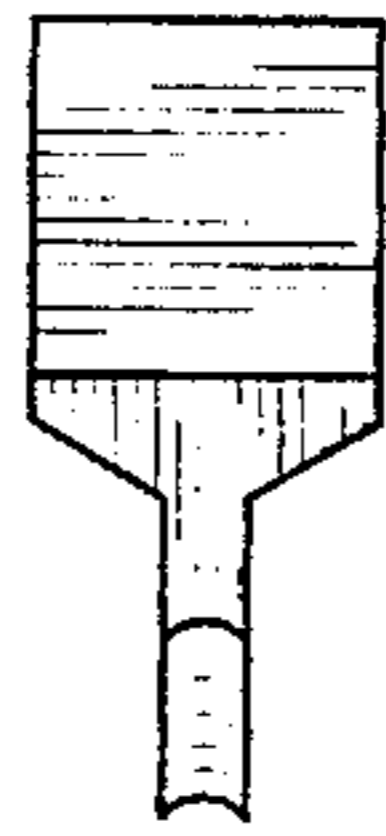


FIG. 4

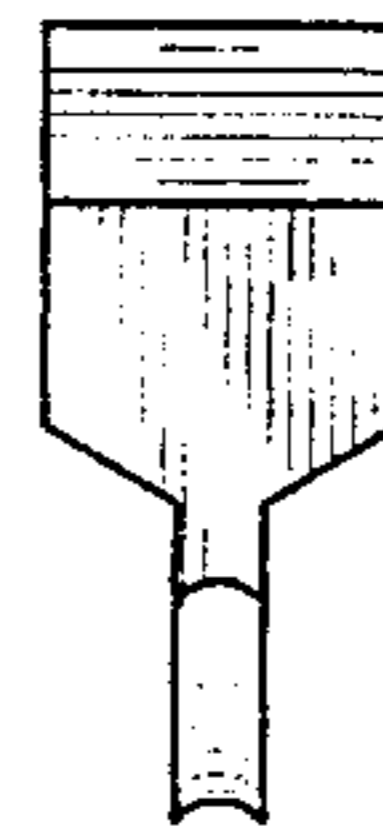


FIG. 5

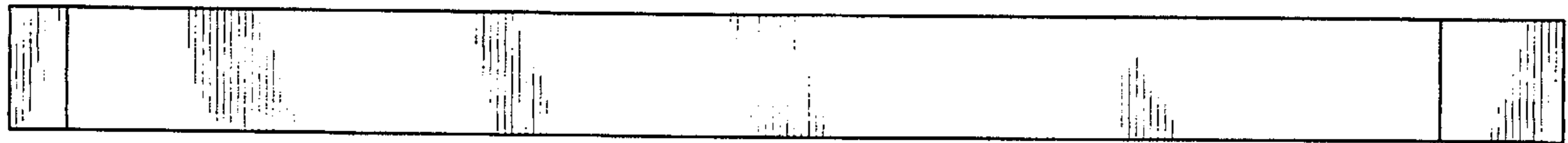


FIG. 6

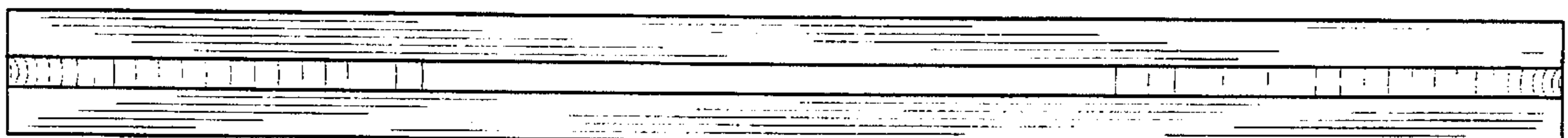


FIG. 7

