



US00D373397S

United States Patent [19]

DeBardelaben

[11] Patent Number: **Des. 373,397**

[45] Date of Patent: ****Sep. 3, 1996**

[54] **TENNIS BALL POSITIONING DEVICE**

[76] Inventor: **Travis C. DeBardelaben**, 1018 Stableway Rd., Pike Road, Ala. 36064

[**] Term: **14 Years**

[21] Appl. No.: **38,172**

[22] Filed: **Apr. 28, 1995**

[52] U.S. Cl. **D21/199**

[58] Field of Search **D21/199, 210; 273/29 R, 29 A, 26 D, 26 R**

[56] **References Cited**

U.S. PATENT DOCUMENTS

4,368,885	1/1983	Katada et al.	273/29 A
4,772,017	9/1988	Eriksen	273/29 A
4,841,945	6/1989	Braden	273/29 A X
4,844,458	7/1989	Gatchel et al.	273/29 A X
5,107,820	4/1992	Salansky	273/29 A X

Primary Examiner—Terry A. Wallace
Assistant Examiner—Cheri Cohen
Attorney, Agent, or Firm—Harpman & Harpman

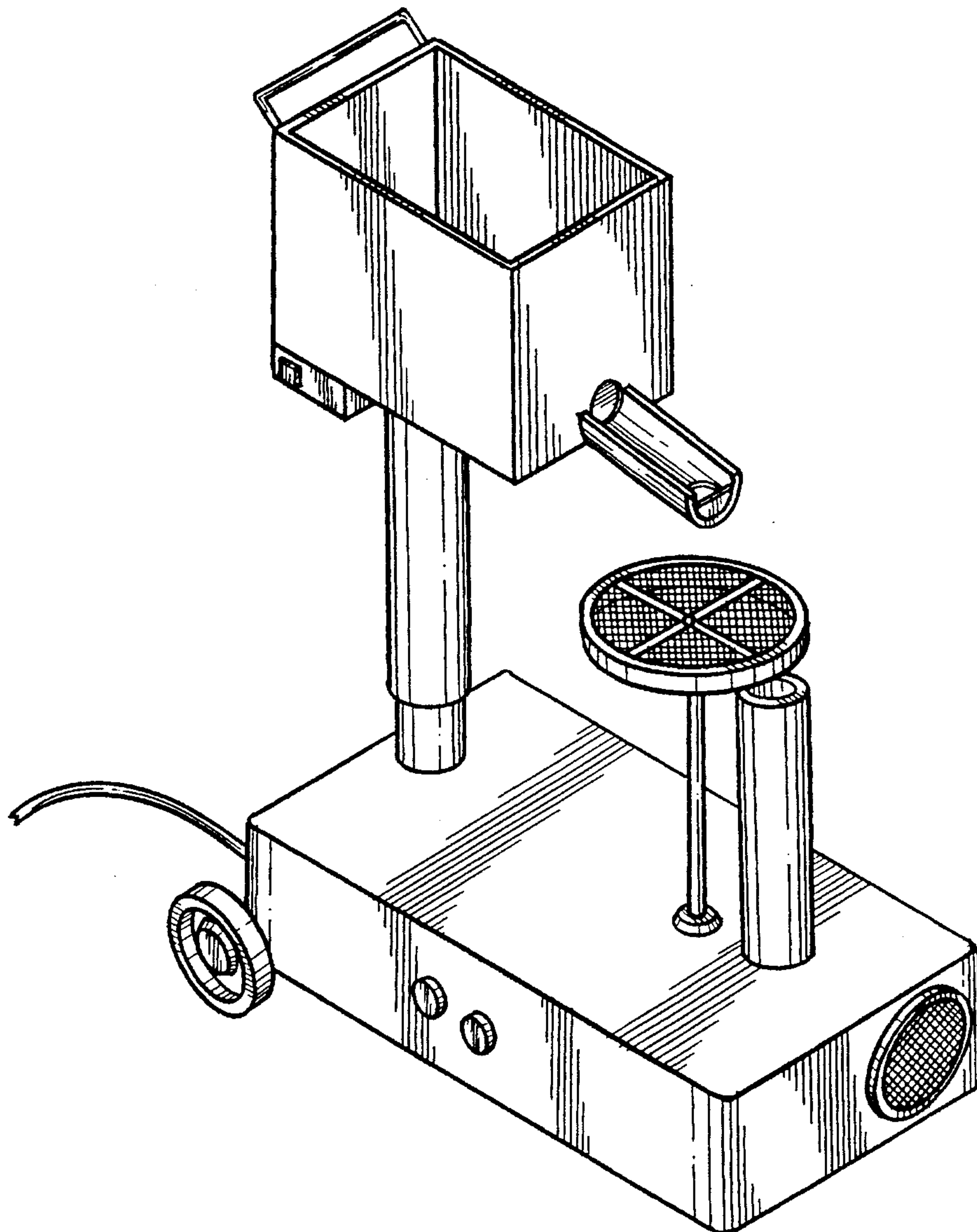
[57] **CLAIM**

The ornamental design for a tennis ball positioning device, as shown and described.

DESCRIPTION

FIG. 1 is a perspective view of a tennis ball positioning device showing my new design; FIG. 2 is a front elevational view thereof; FIG. 3 is a rear elevational view thereof; FIG. 4 is a left side elevation view thereof, the opposite side being a mirror image with the exception of the buttons; FIG. 5 is a top plan view thereof; and, FIG. 6 is a bottom plan view thereof.

1 Claim, 4 Drawing Sheets



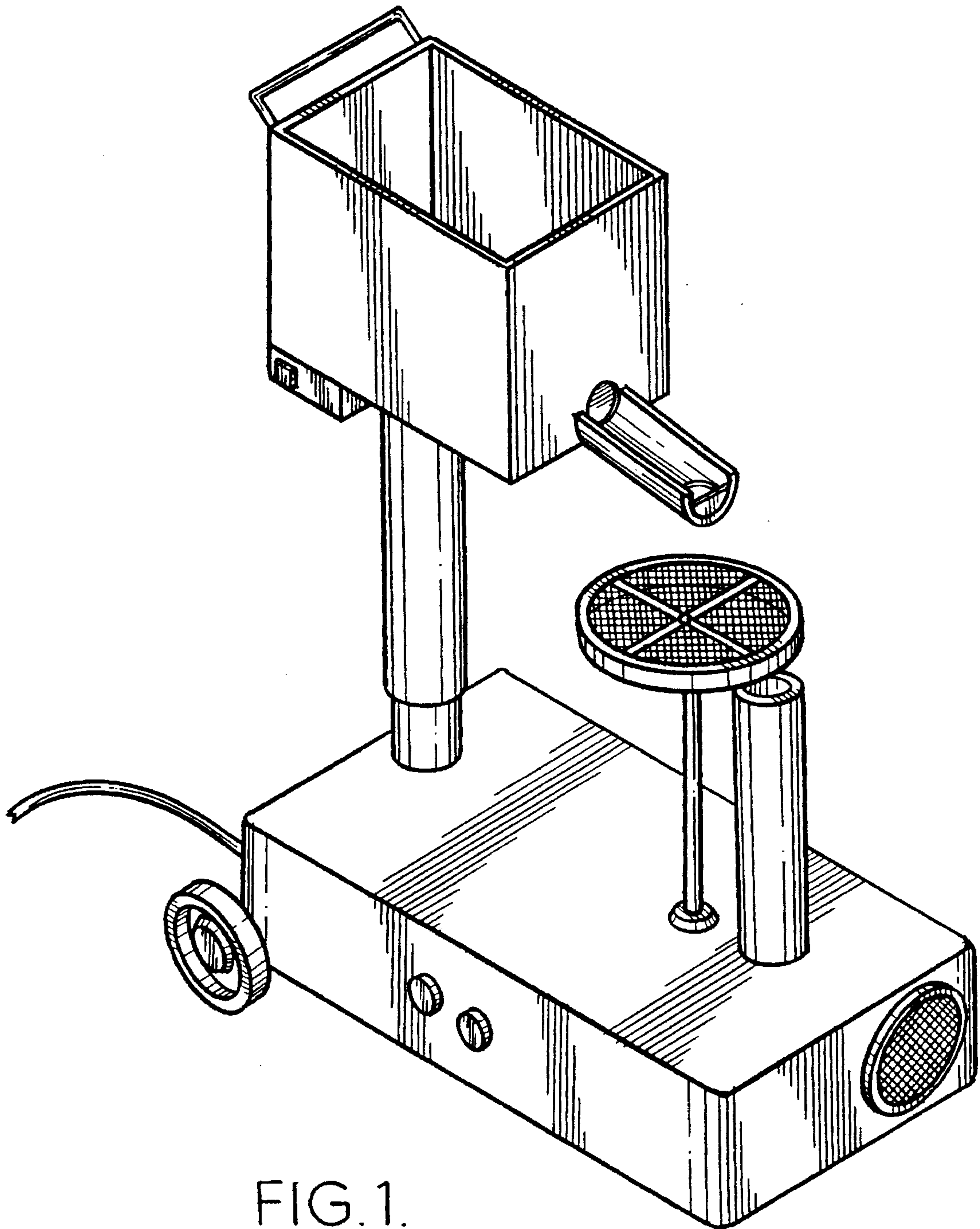


FIG. 1.

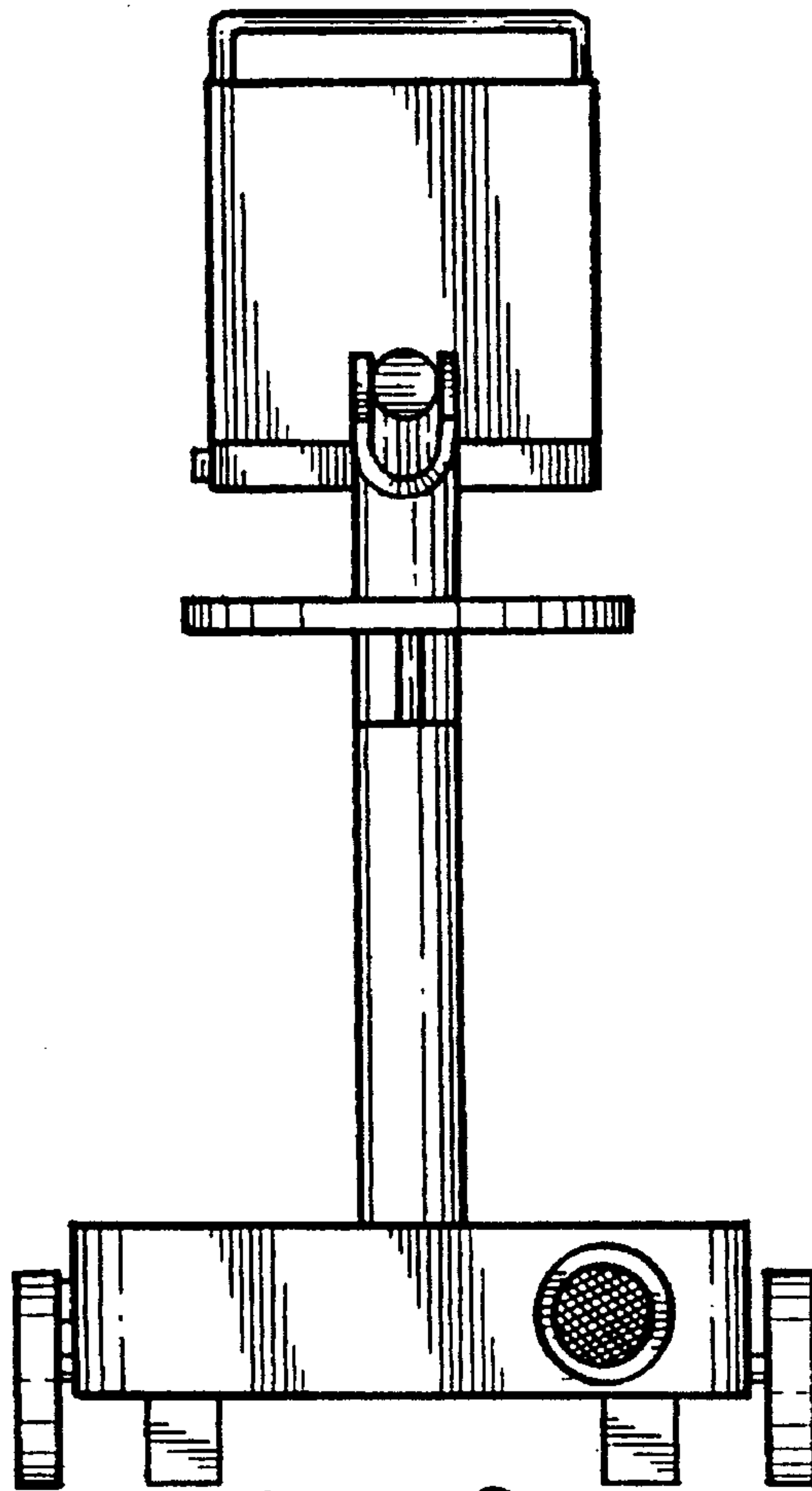


FIG. 2.

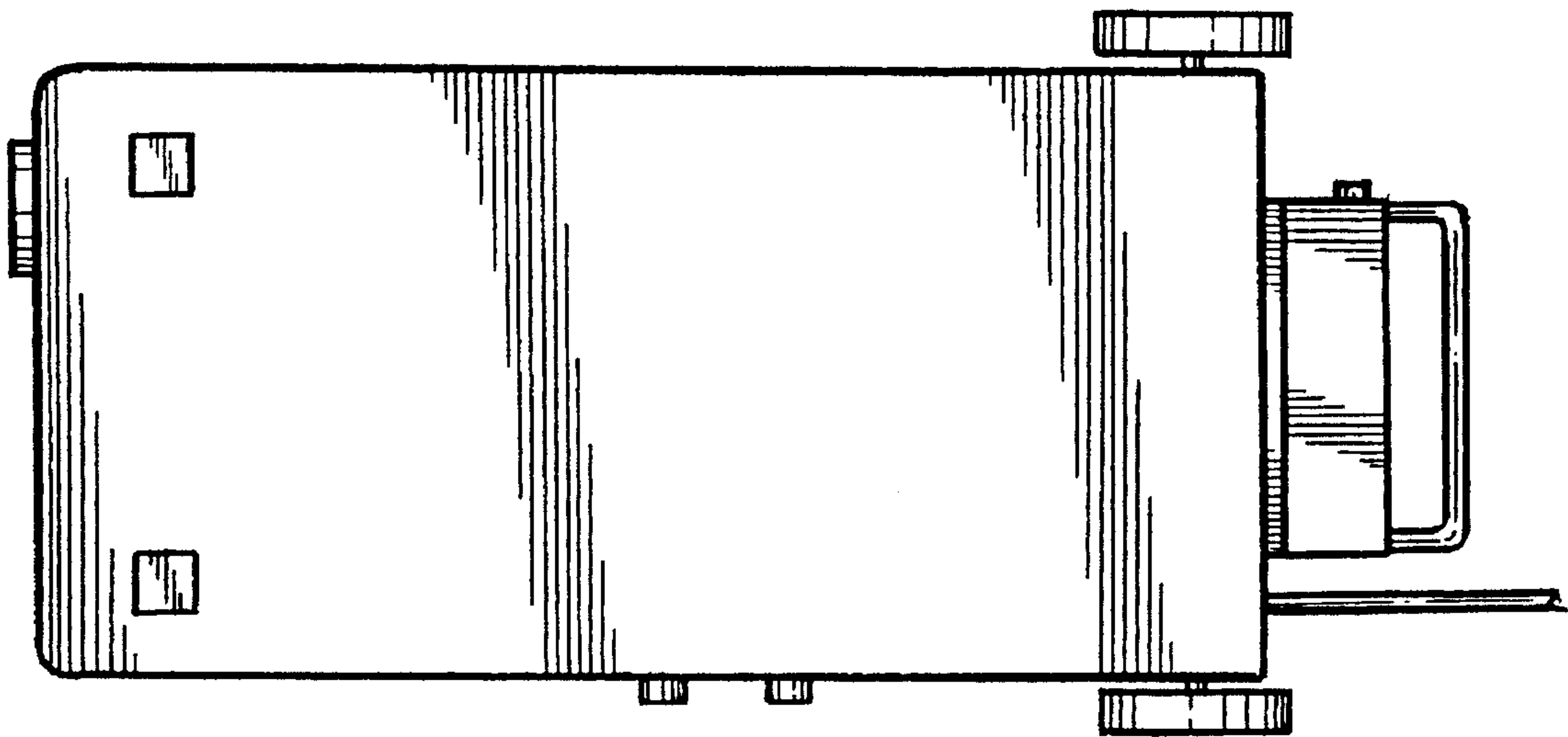


FIG. 6.

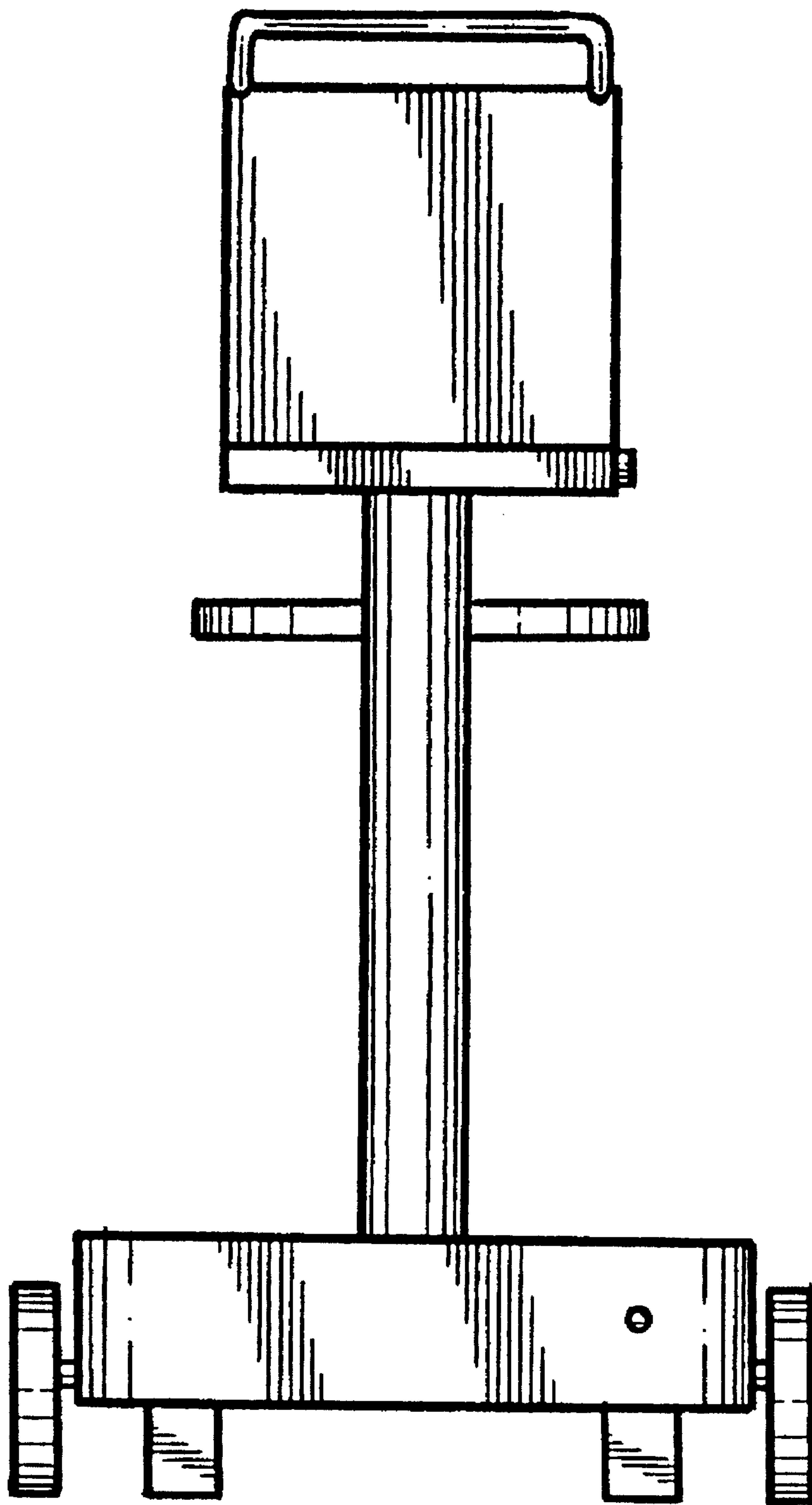


FIG. 3.

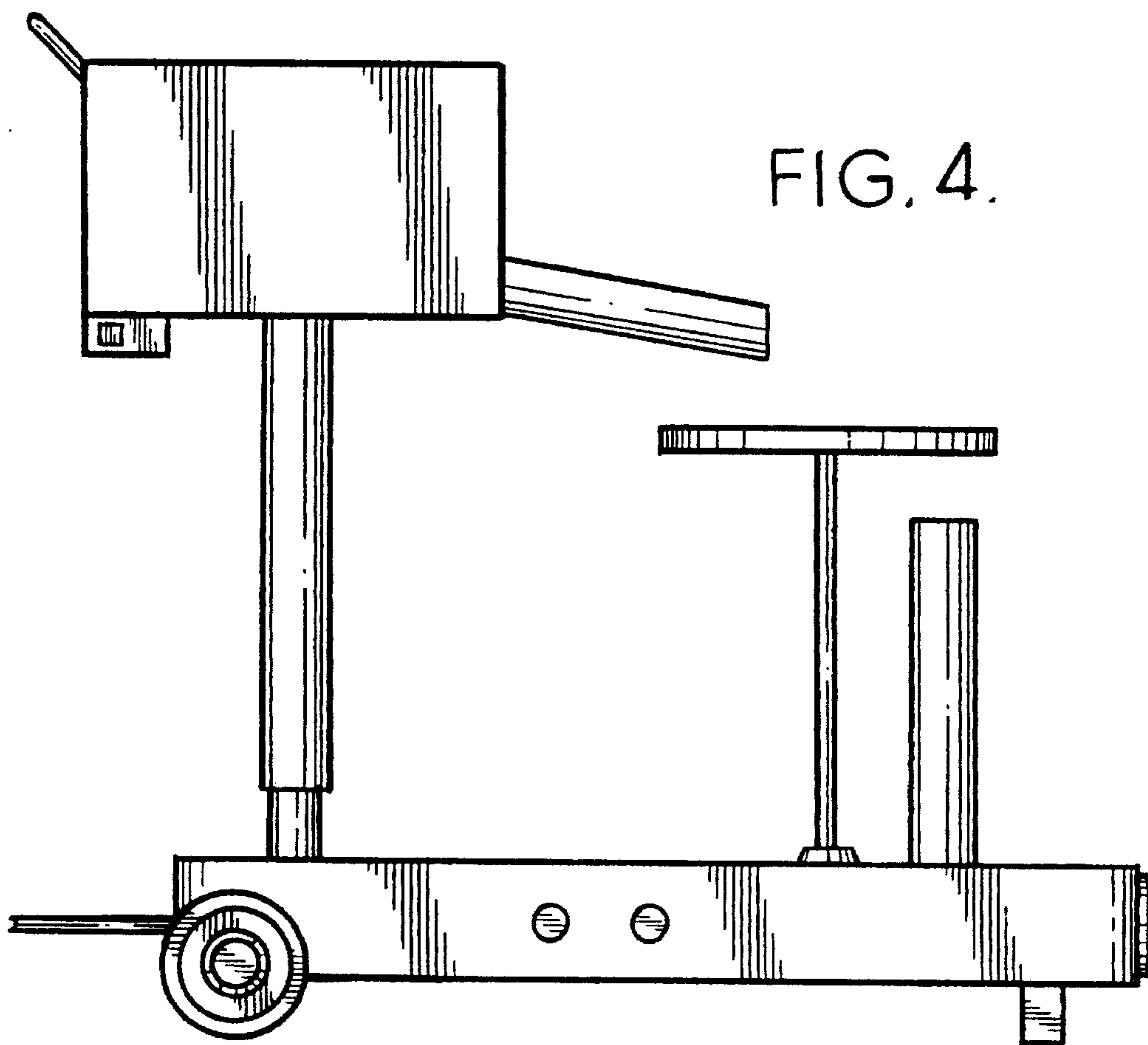


FIG. 5.

