



US00D373396S

# United States Patent [19]

Malwitz

[11] Patent Number: **Des. 373,396**

[45] Date of Patent: **\*\*Sep. 3, 1996**

[54] **BASEBALL SWING-TRAINING DEVICE**

[76] Inventor: **Lonnie D. Malwitz**, 9840 250th Street  
West, Lakeville, Minn. 55044

[\*\*] Term: **14 Years**

[21] Appl. No.: **33,158**

[22] Filed: **Jan. 5, 1995**

[52] U.S. Cl. .... **D21/199**

[58] Field of Search ..... D21/199; D10/65;  
273/25, 26 R, 26 A, 26 D, 187 R, 187 A

[56] **References Cited**

**U.S. PATENT DOCUMENTS**

493,661	10/1938	Broscombe .	
2,588,079	3/1952	Boehm .....	D10/65 X
3,830,494	8/1974	Biskup .....	273/26 E
3,866,912	2/1975	Scainetti .....	273/29 A
4,010,950	3/1977	Visockis .....	273/26 E
4,050,694	9/1977	Domroski .....	273/26 E
4,093,234	6/1978	Barton .....	273/200 R
4,095,798	6/1978	Marple .....	273/200 R
4,097,044	6/1978	Miniere .....	273/26 R
4,451,036	5/1984	Sinclair .....	273/26 R
4,544,161	10/1985	Guending, Jr. ....	273/187 A
4,664,375	5/1987	Tetreault .....	273/26 E
4,702,866	10/1987	Krueger .....	264/46.4
4,793,612	12/1988	Hammond .....	273/26 E
4,828,262	5/1989	Henley .....	273/26 E
4,898,385	2/1990	Love .....	273/26 E
4,930,786	6/1990	Bencriscutto .....	273/187 A X

5,000,450	3/1991	Beintema .....	273/26 E
5,087,039	2/1992	Laseke .....	273/26 R
5,092,603	3/1992	Schindler .....	273/187 A X
5,221,081	6/1993	Rooks .....	273/26 R

**FOREIGN PATENT DOCUMENTS**

2401055 7/1975 Germany .

*Primary Examiner*—Terry A. Wallace  
*Assistant Examiner*—Cheri Cohen  
*Attorney, Agent, or Firm*—Palmatier, Sjoquist & Helget,  
P.A.

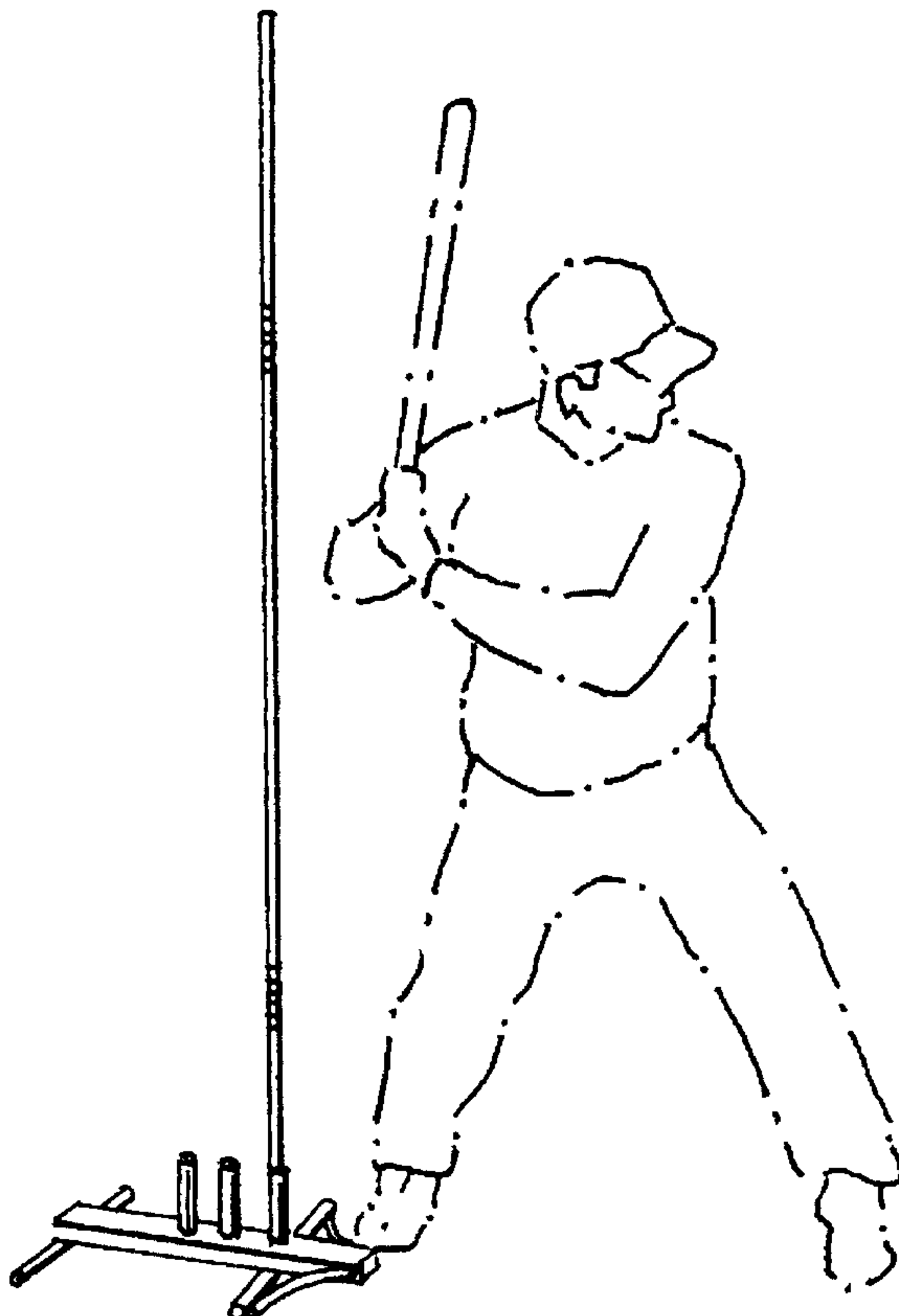
[57] **CLAIM**

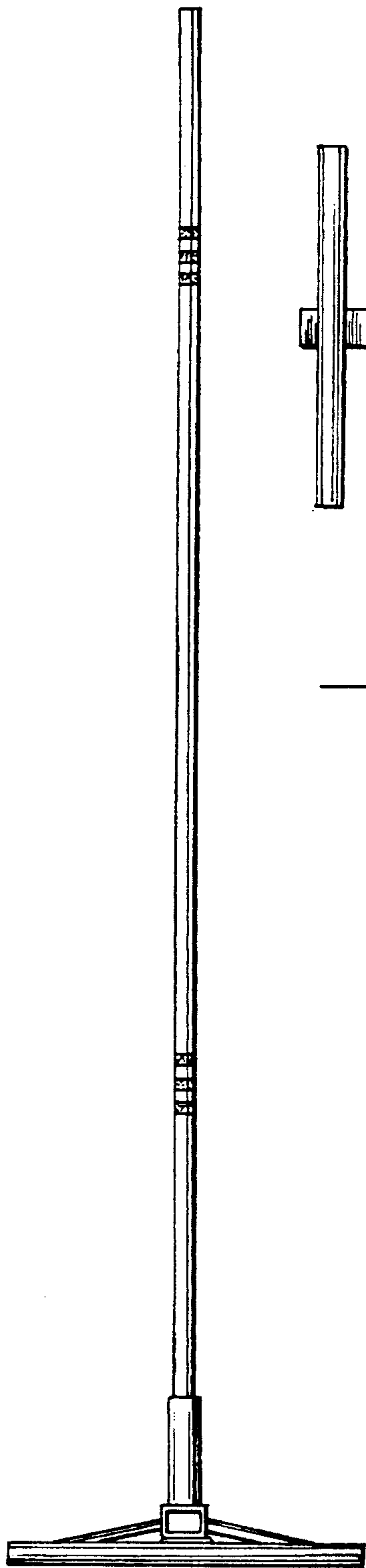
The ornamental design for a baseball swing-training device, as shown and described.

**DESCRIPTION**

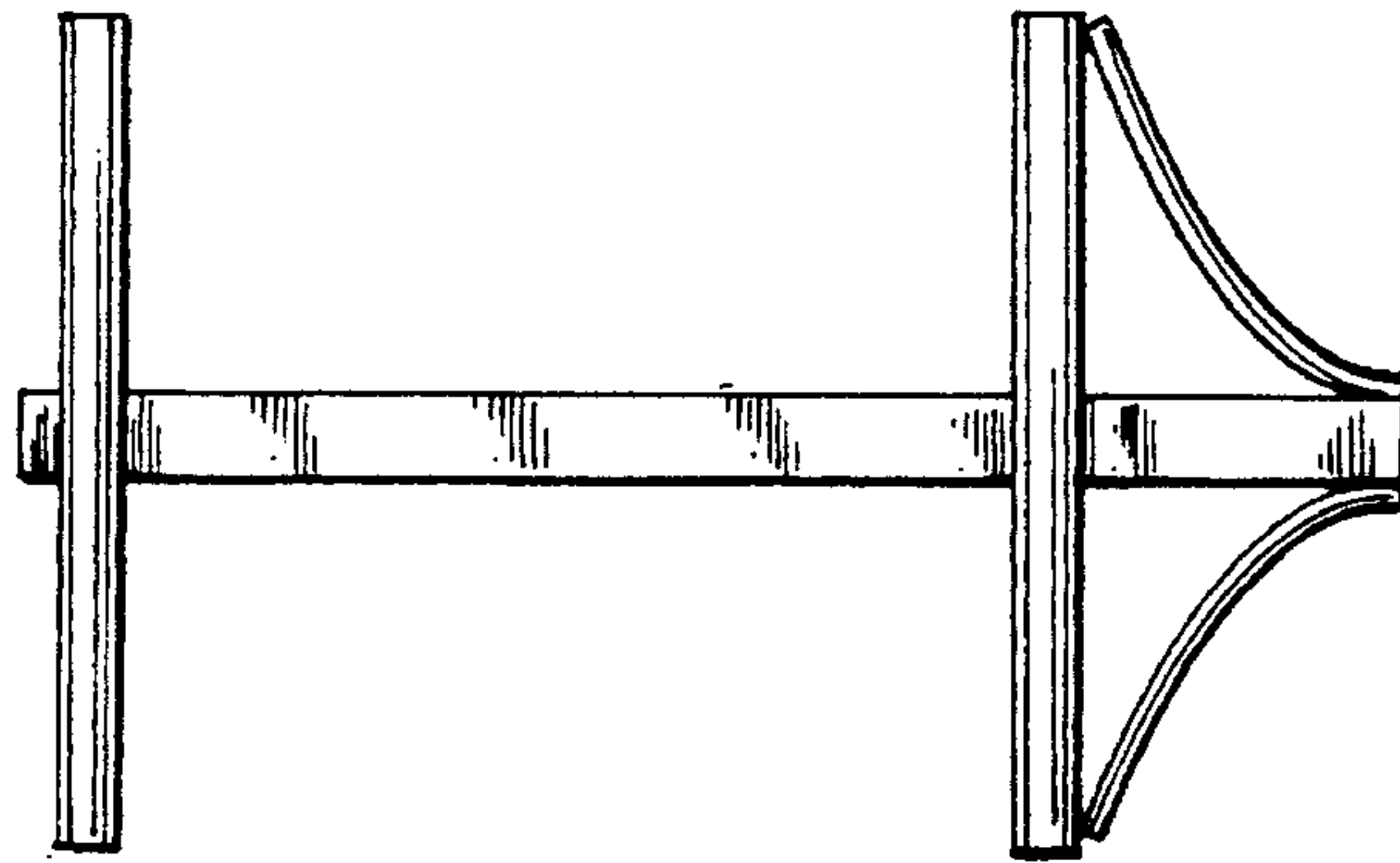
FIG. 1 is a perspective view of a baseball swing-training device showing my new design; FIG. 2 is a front elevational view; FIG. 3 is a rear elevational view; FIG. 4 is a side elevational view, the other side of which being a mirror image; FIG. 5 is a top plan view; FIG. 6 is a bottom plan view; and, FIG. 7 is a reduced perspective view thereof. The broken line showing of the batter in FIG. 7 is for illustrative purposes only and forms no part of the claimed design.

**1 Claim, 2 Drawing Sheets**

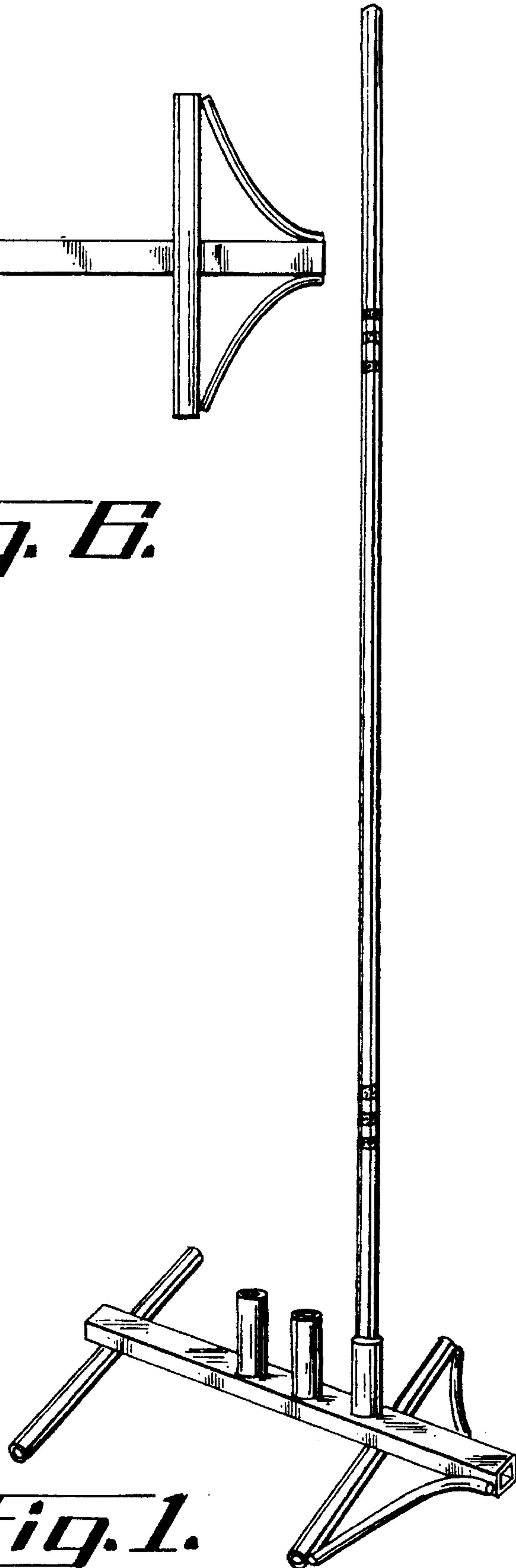




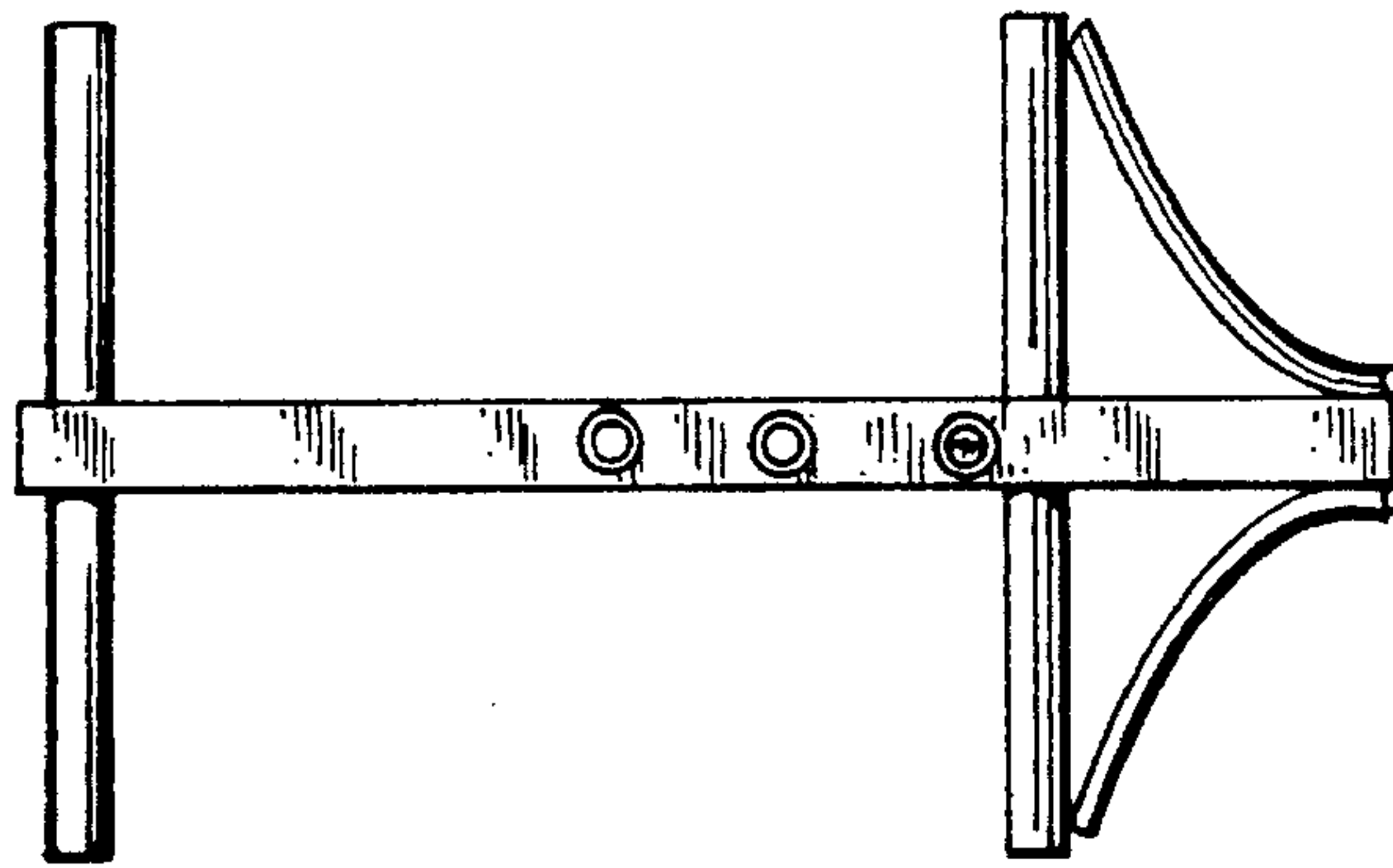
*Fig. 3.*



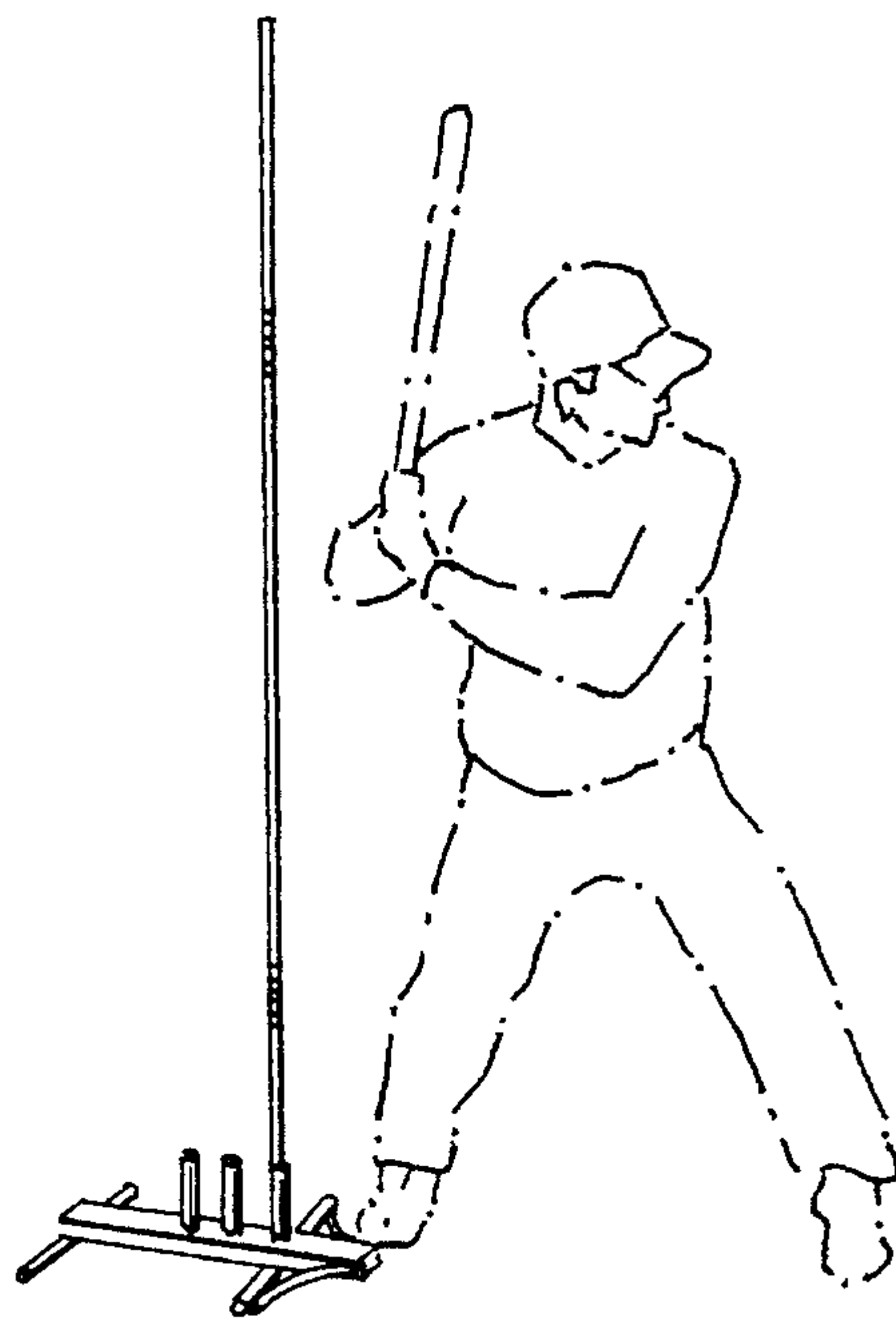
*Fig. 6.*



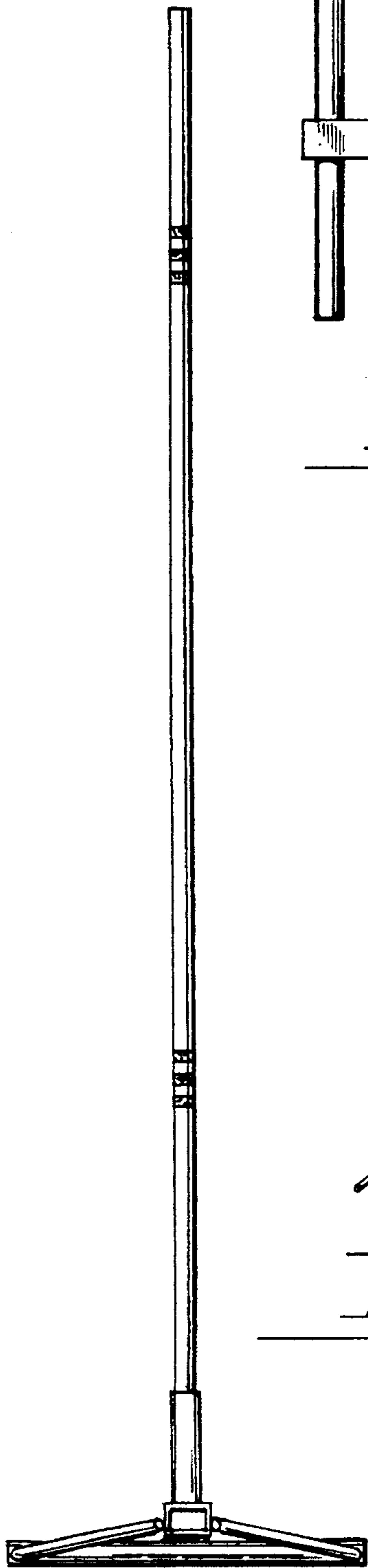
*Fig. 1.*



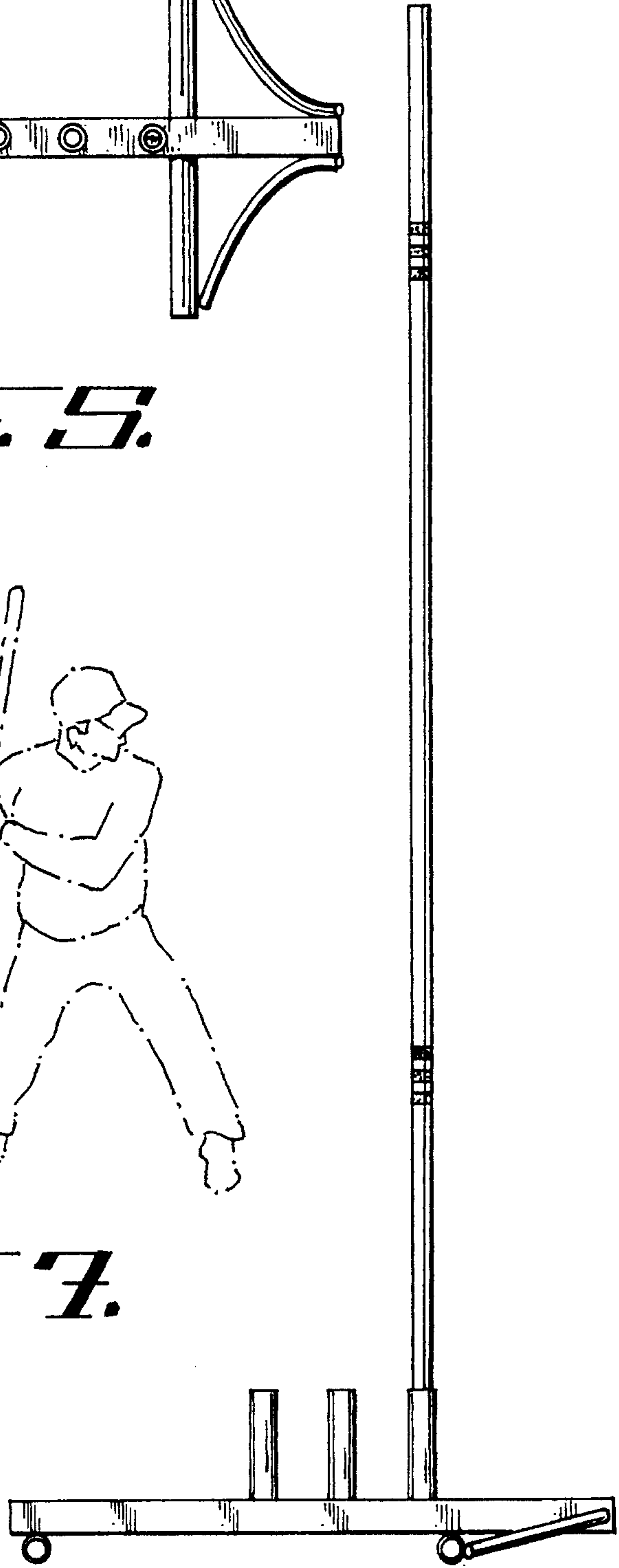
*Fig. 5.*



*Fig. 7.*



*Fig. 2.*



*Fig. 4.*