



US00D373395S

# United States Patent [19] Chen

[11] Patent Number: **Des. 373,395**

[45] Date of Patent: **\*\*Sep. 3, 1996**

[54] **EXERCISER**

[76] Inventor: **Chih-liang Chen**, No. 10, Lane 1431, Kuanghsin Rd., Peteh Hsiang, Taoyuan Hsien, Taiwan

[\*\*] Term: **14 Years**

[21] Appl. No.: **39,857**

[22] Filed: **Jun. 6, 1995**

[52] U.S. Cl. .... **D21/194**

[58] Field of Search ..... D21/191, 192, D21/193, 194, 195; 482/51, 60, 57, 58, 59, 61, 64

[56] **References Cited**

**U.S. PATENT DOCUMENTS**

3,100,640	8/1963	Weitzel .....	482/60
3,259,385	7/1966	Boren .....	482/60
3,751,033	8/1973	Rosenthal .....	482/60
3,910,571	11/1975	Stenn .....	482/60
4,390,177	6/1983	Biran et al. ....	482/60

4,664,372	5/1987	Halvig .....	482/60
4,928,673	5/1990	Heneger .....	482/60
4,971,317	11/1990	Link .....	482/60
5,108,092	4/1992	Hurst .....	482/60

Primary Examiner—Philip S. Hyder  
Attorney, Agent, or Firm—Ross, Clapp, Korn & Montgomery, L.L.P.

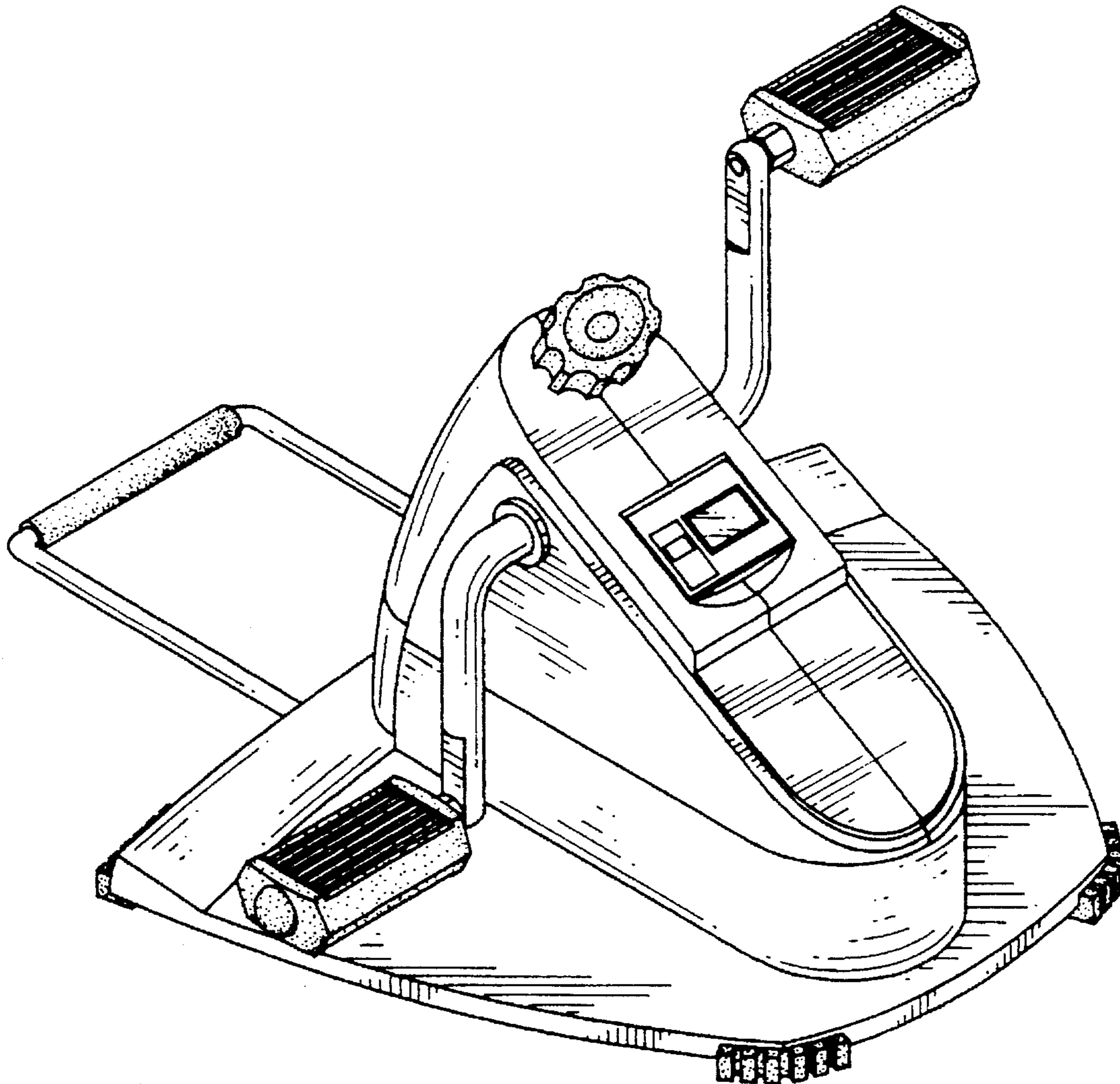
[57] **CLAIM**

The ornamental design for an exerciser, as shown.

**DESCRIPTION**

FIG. 1 is a perspective view from the front, top and left side of an exerciser showing my design; FIG. 2 is a front view thereof; FIG. 3 is a rear view thereof; FIG. 4 is a left side elevational view thereof; FIG. 5 is a right side elevational view thereof; FIG. 6 is a top plan view thereof; and, FIG. 7 is a bottom plan view thereof.

**1 Claim, 4 Drawing Sheets**



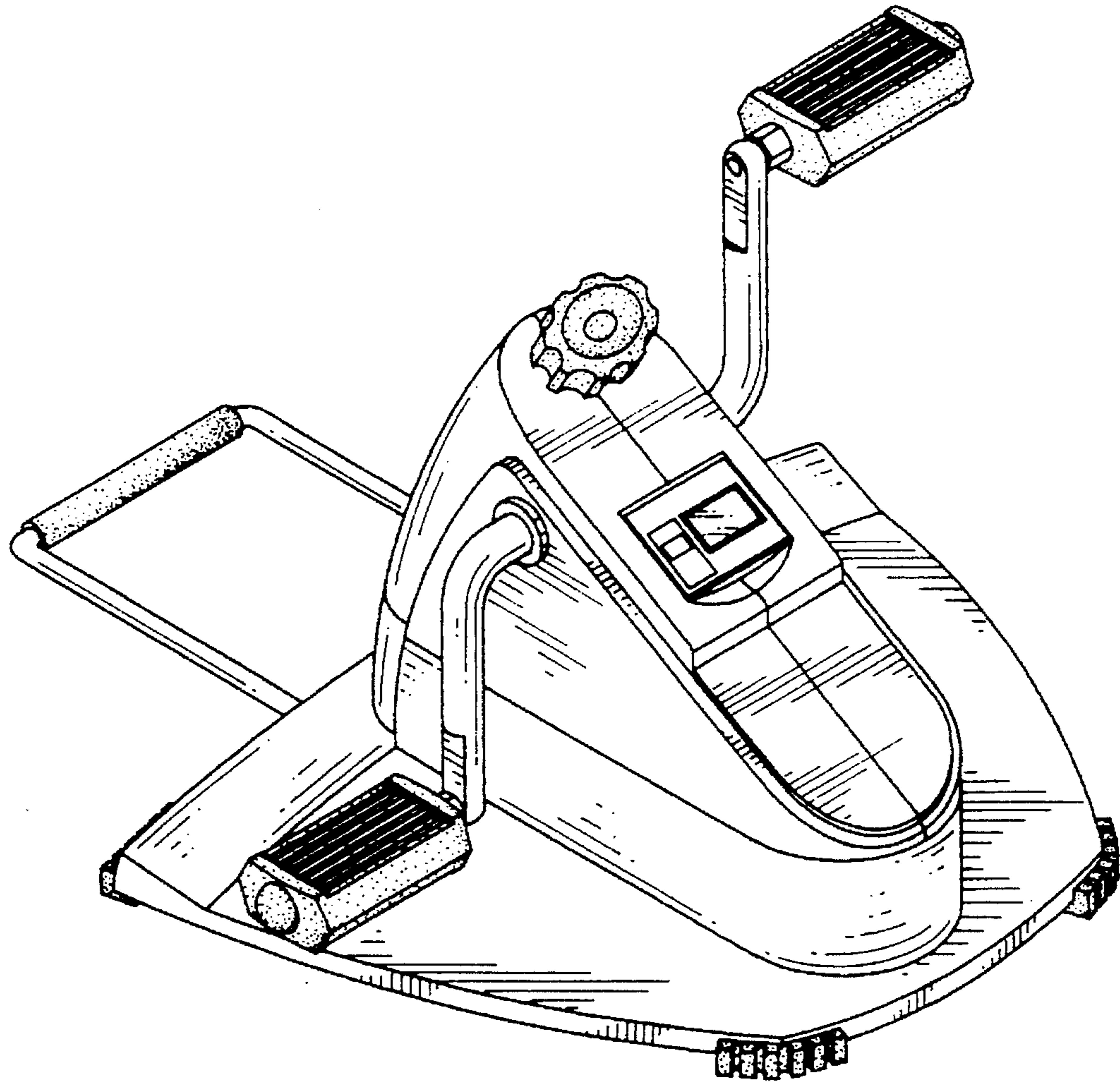


FIG. 1

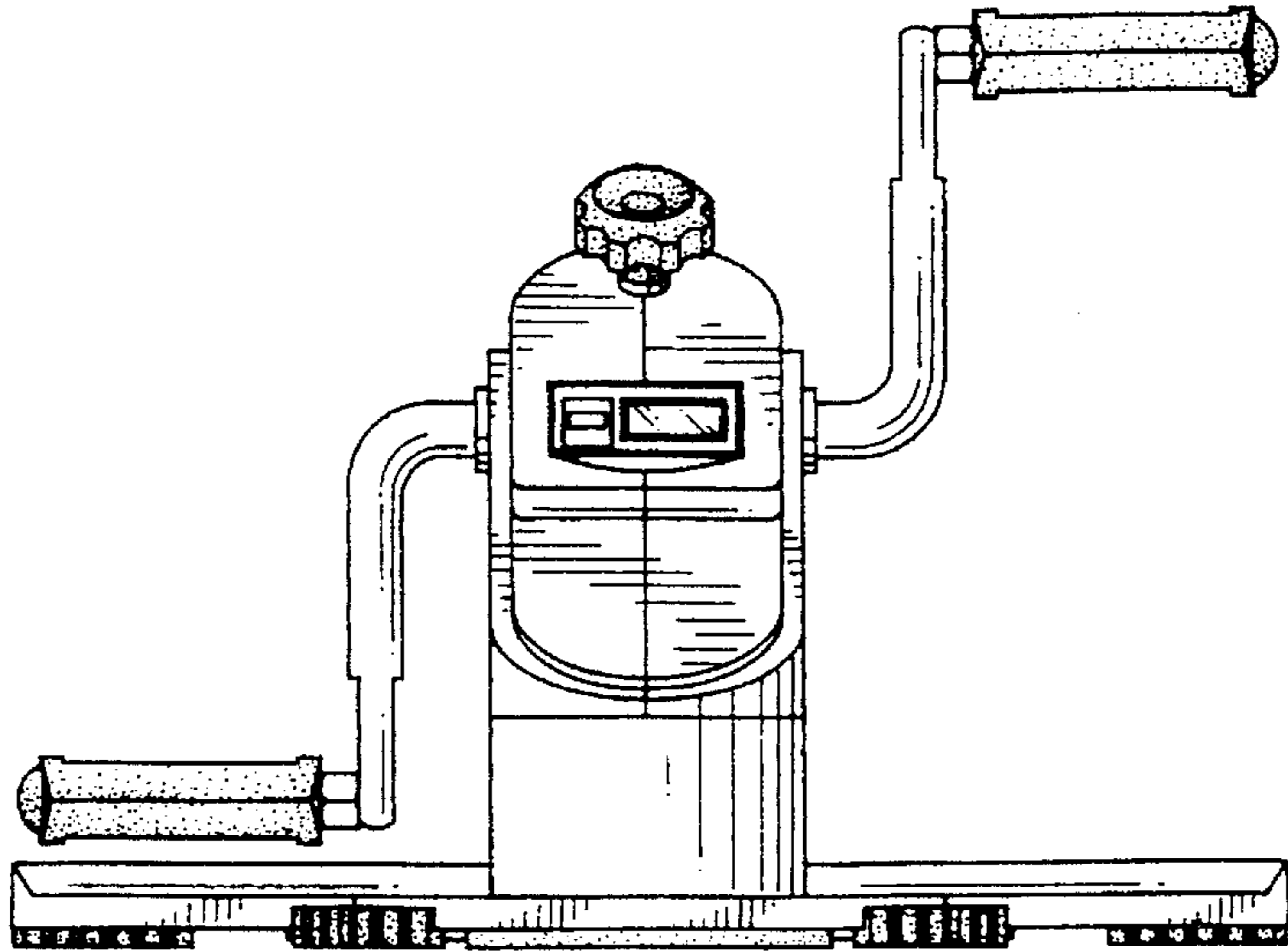


FIG. 2

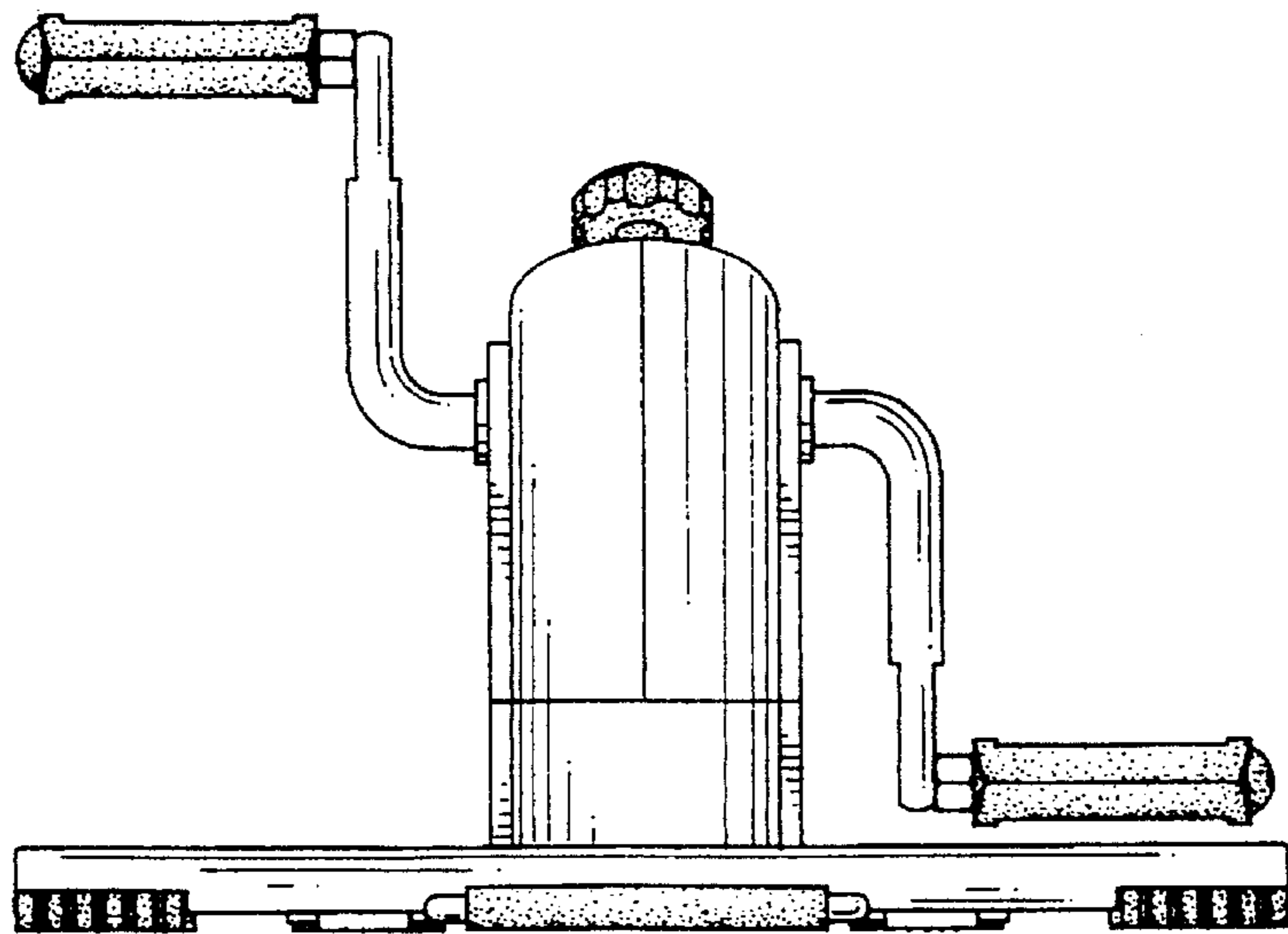


FIG. 3

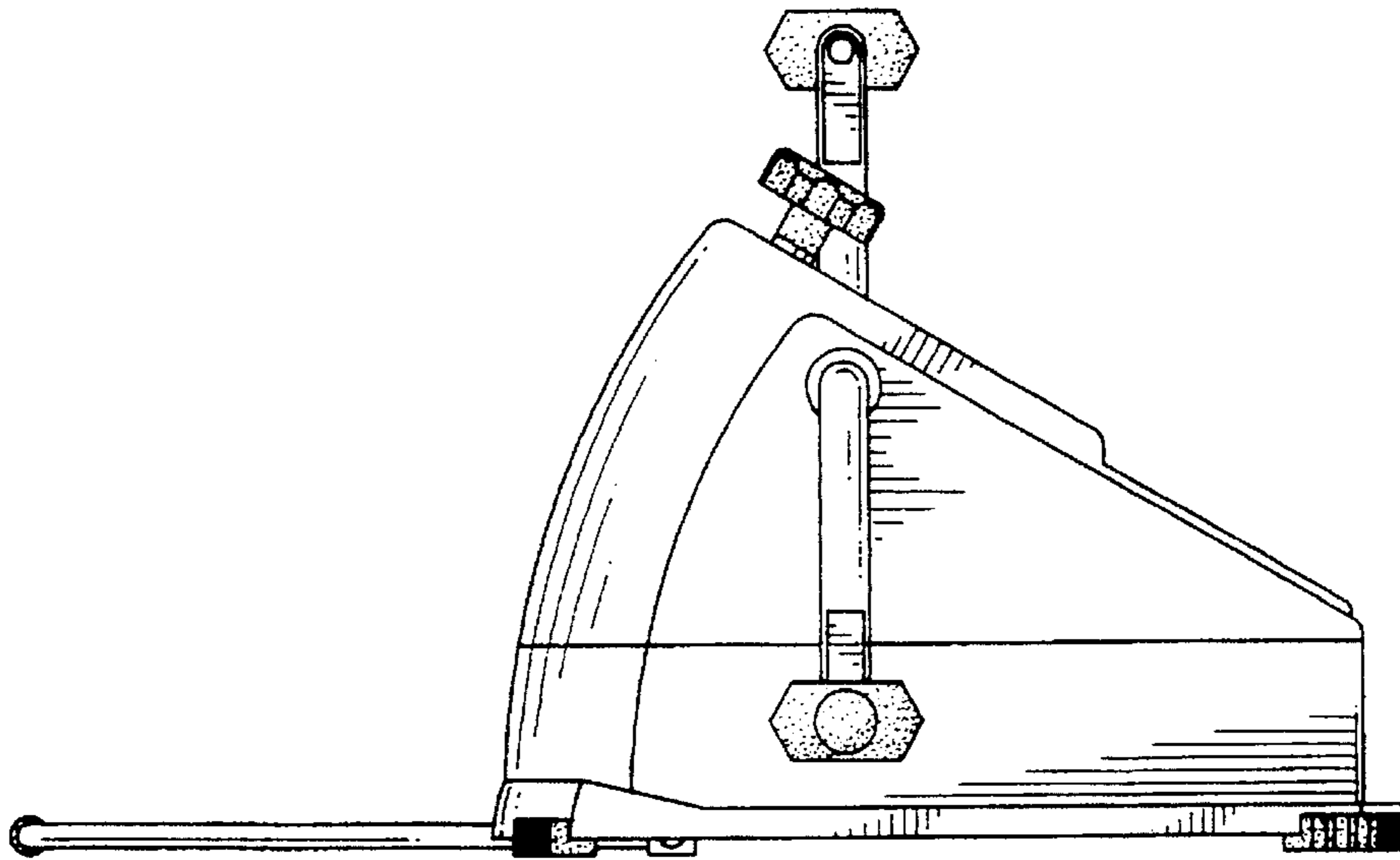


FIG. 4

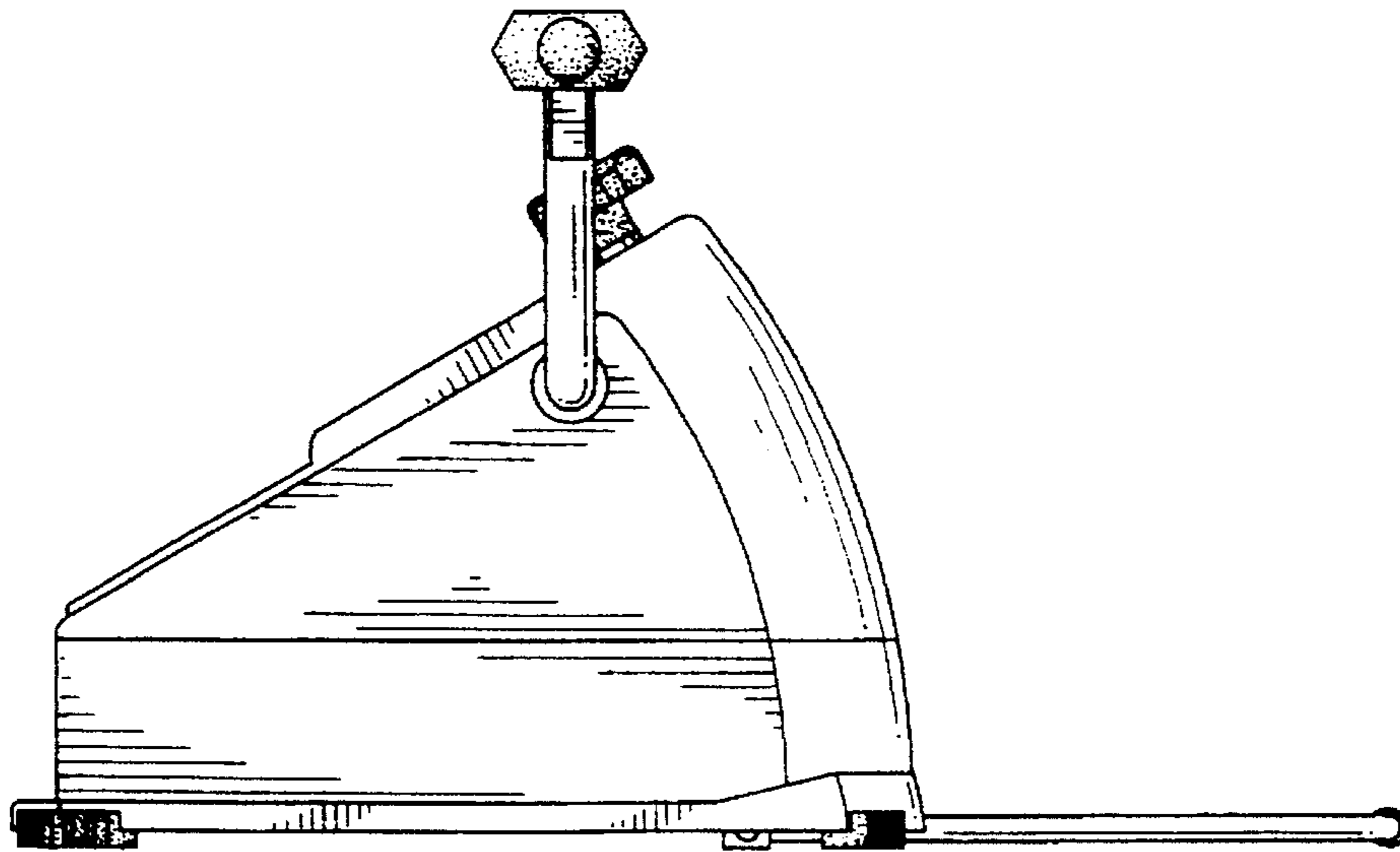


FIG. 5

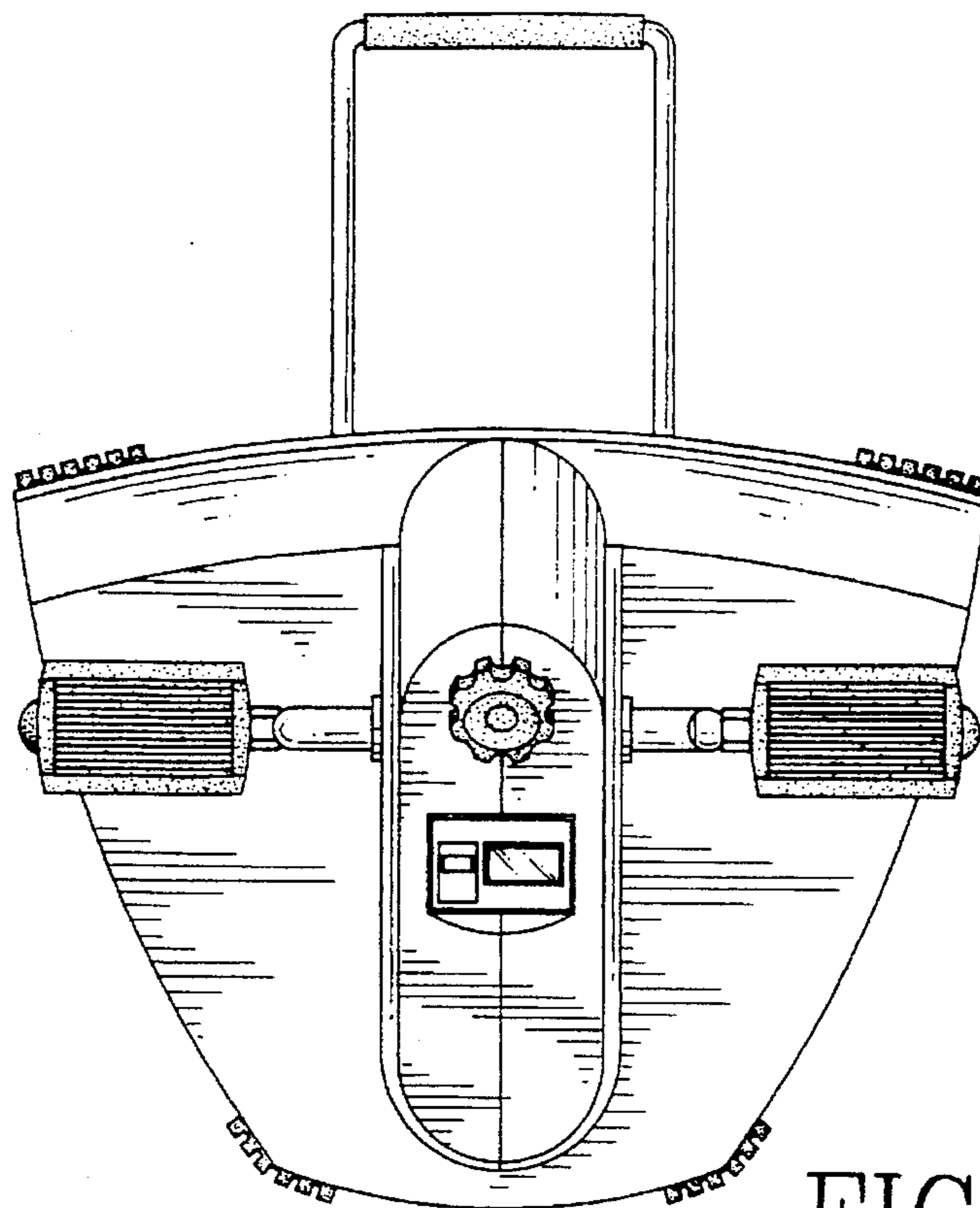


FIG. 6

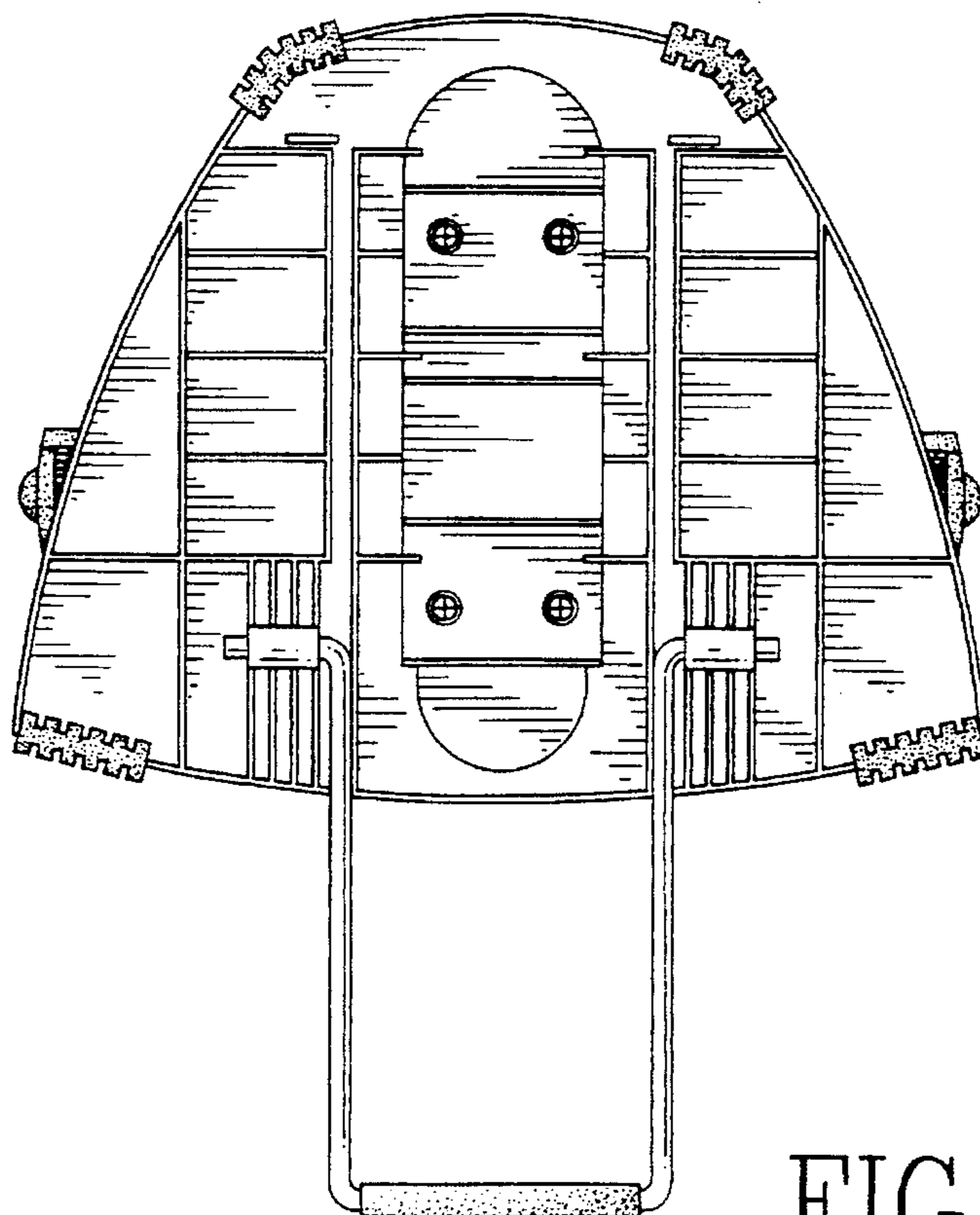


FIG. 7