



US00D373394S

United States Patent [19] Jacobs

[11] Patent Number: **Des. 373,394**

[45] Date of Patent: ****Sep. 3, 1996**

[54] EXERCISE STOOL

[76] Inventor: **Lawrence I. Jacobs**, 729 W. 16th St., #B9, Costa Mesa, Calif. 92627

[**] Term: **14 Years**

[21] Appl. No.: **39,703**

[22] Filed: **Jun. 2, 1995**

[52] U.S. Cl. **D21/191; D6/349**

[58] Field of Search **D21/191; D6/349, D6/350, 352, 355; D24/183; 482/142**

[56] **References Cited**

U.S. PATENT DOCUMENTS

D. 234,278	2/1975	Jacobs	D6/349
D. 262,394	12/1981	Hain	D21/191
D. 277,400	1/1985	Inoue	D21/191
D. 290,556	6/1987	Strousse et al.	D6/349
D. 293,515	1/1988	Frinier	D6/349
D. 296,621	7/1988	Colby	D6/349
D. 333,329	2/1993	Jacobs	D6/191

3,077,347	2/1963	Nova	482/142
3,591,173	7/1971	Cossman	482/142
3,857,561	12/1974	Cecchettini et al.	482/142
3,879,033	4/1975	Martin	482/142
4,337,942	7/1982	Sidlinger et al.	482/142

Primary Examiner—Philip S. Hyder
Attorney, Agent, or Firm—Zarley, McKee, Thomte, Voorhees & Sease

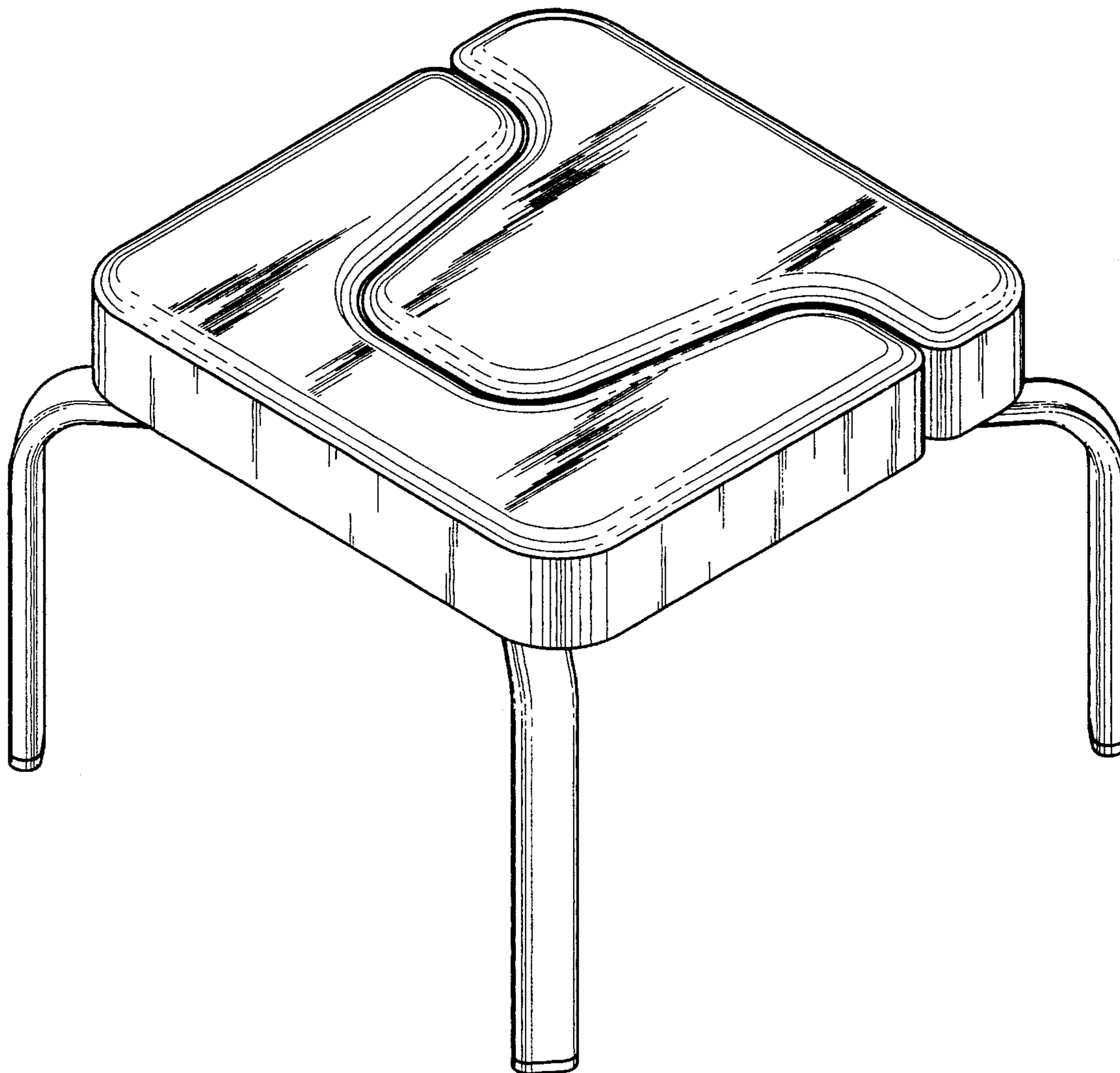
[57] CLAIM

The ornamental design for an exercise stool, as shown and described.

DESCRIPTION

FIG. 1 is a top, rear, and left side perspective view of an exercise stool, showing my new design;
FIG. 2 is a top plan view thereof;
FIG. 3 is a bottom plan view thereof;
FIG. 4 is a front elevational view thereof; and,
FIG. 5 is a rear elevational view thereof.

1 Claim, 3 Drawing Sheets



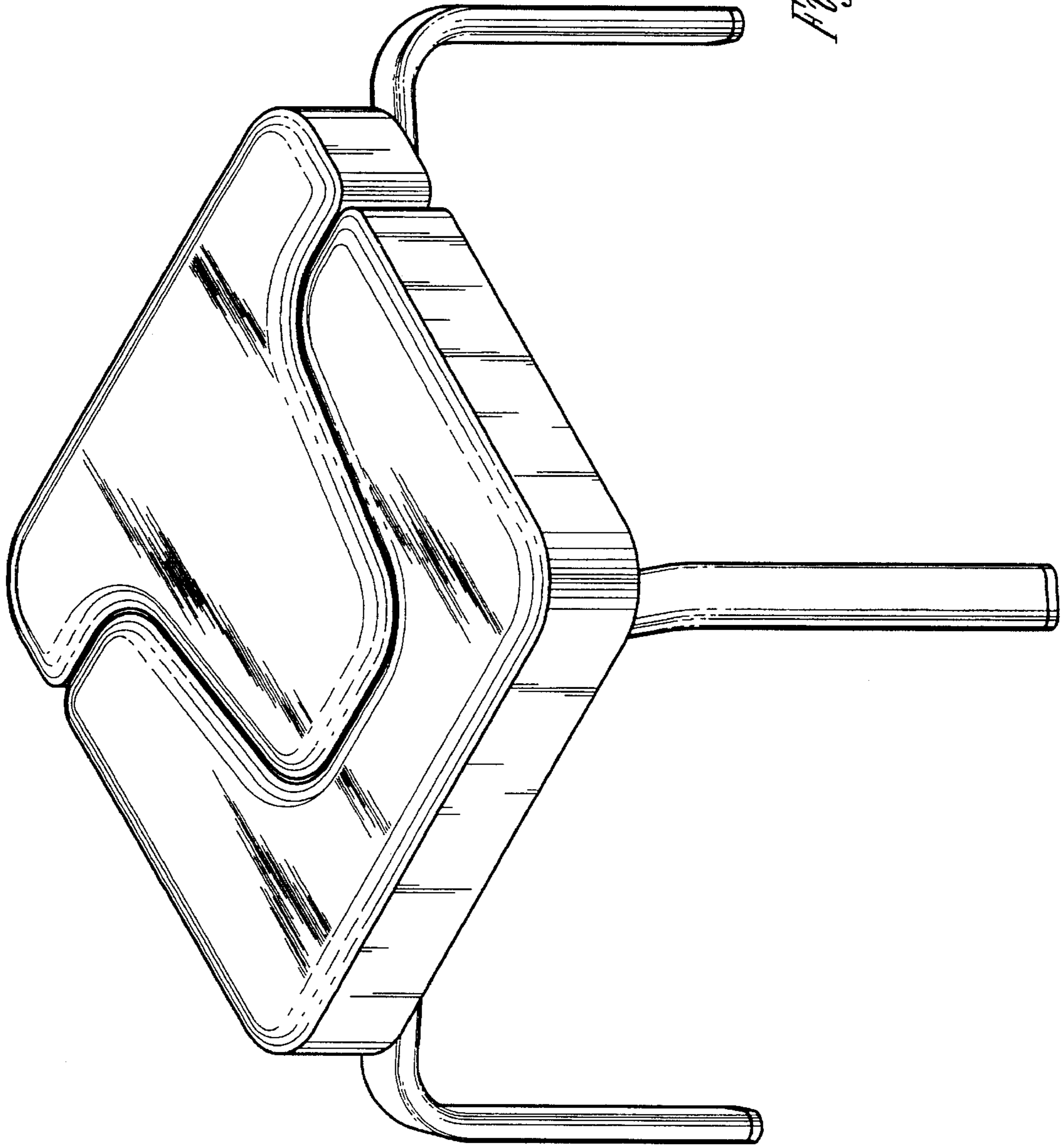


Fig. 1

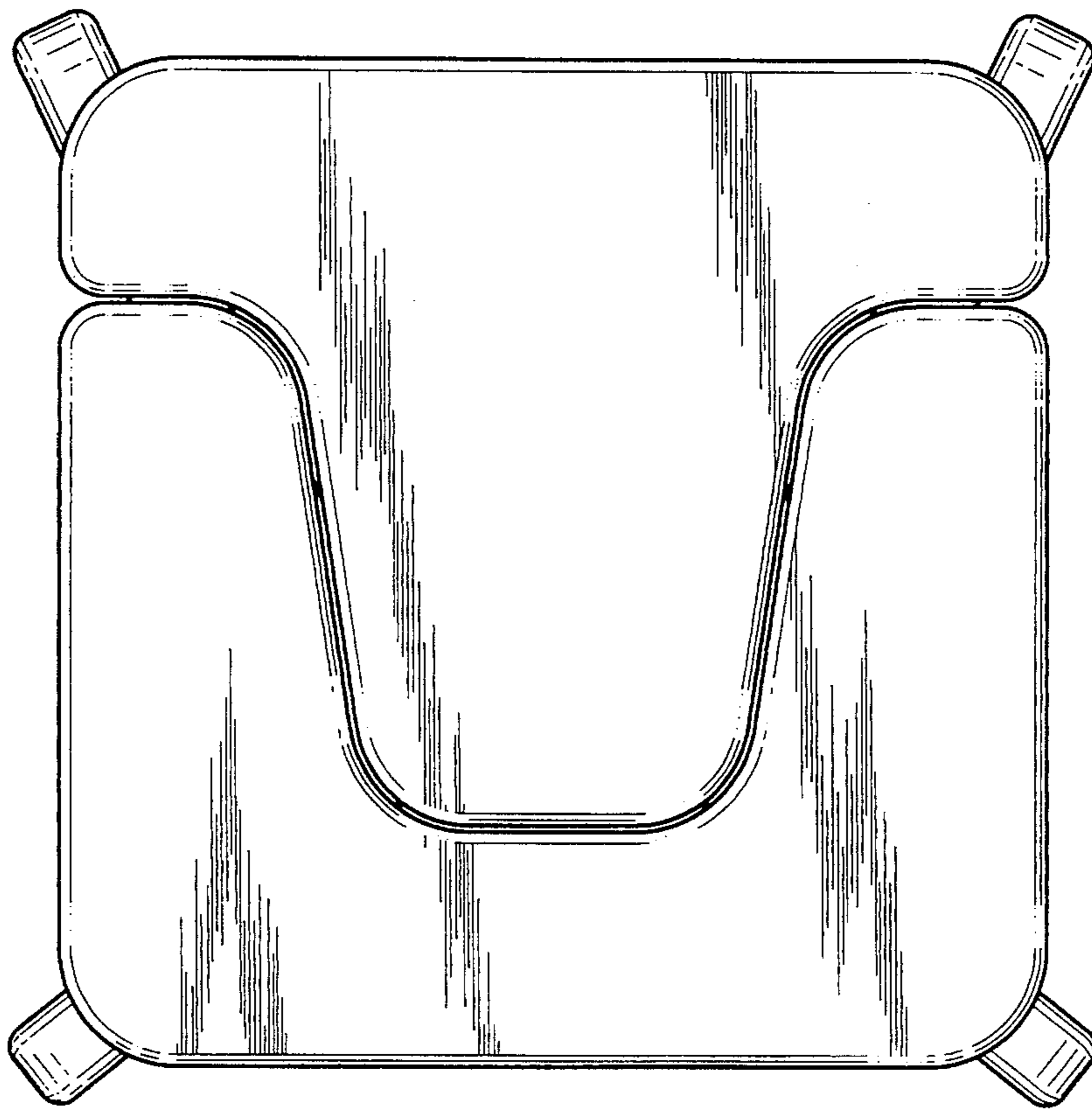


Fig. 2

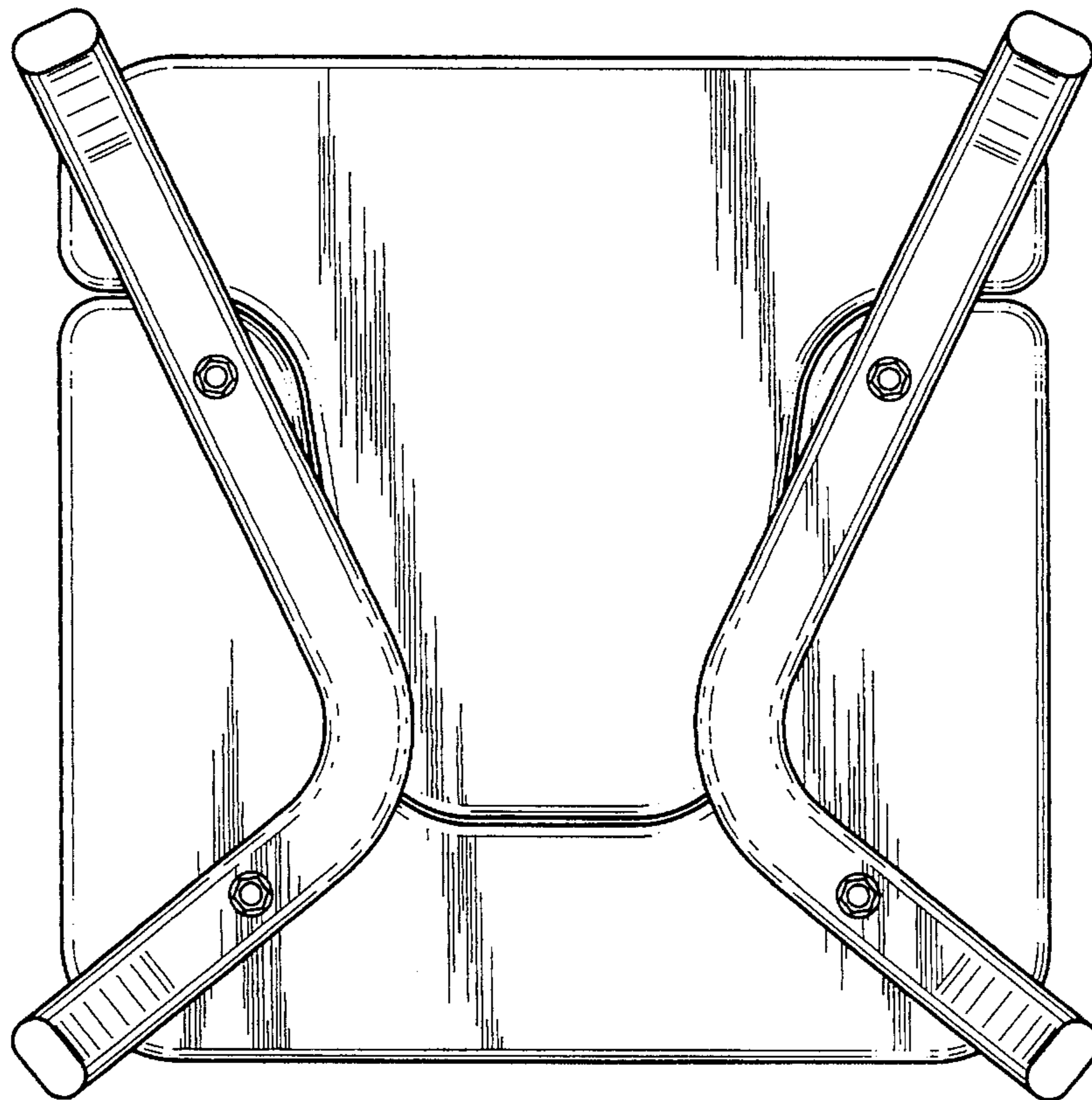


Fig. 3

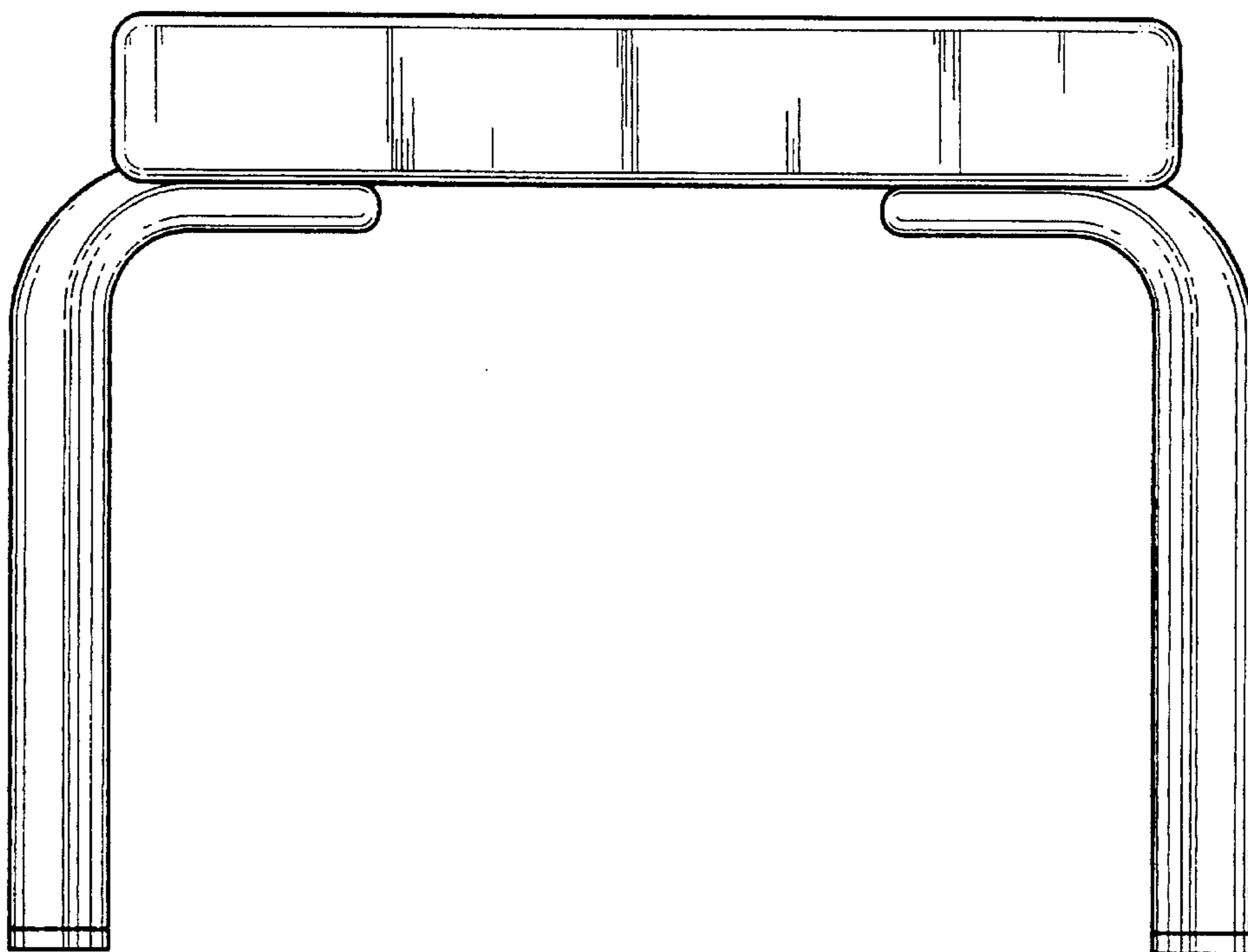


Fig. 4

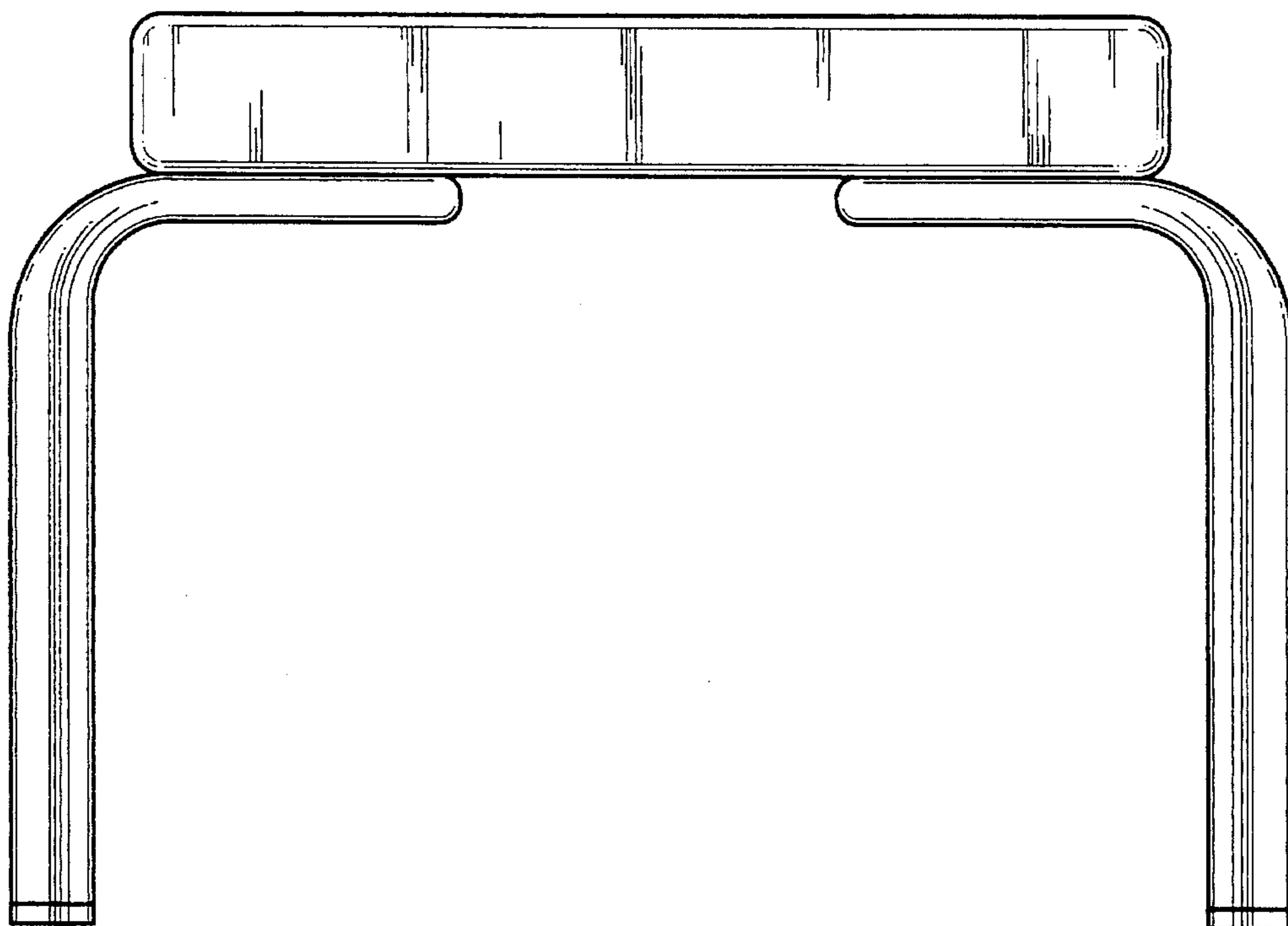


Fig. 5