



US00D373391S

United States Patent [19]
Skov

[11] **Patent Number: Des. 373,391**

[45] **Date of Patent: **Sep. 3, 1996**

[54] **TOY BUILDING ELEMENT**

1,092,591 4/1914 Pajeau D21/108

[75] **Inventor: Ib T. Skov, Billund, Denmark**

Primary Examiner—Terry A. Wallace

Assistant Examiner—R. Barkai

[73] **Assignee: INTERLEGO AG, Baar, Switzerland**

Attorney, Agent, or Firm—Kane, Dalsimer, Sullivan, Kurucz, Levy, Eisele and Richard, LLP

[**] **Term: 14 Years**

[57] **CLAIM**

[21] **Appl. No.: 43,997**

The ornamental design for a toy building element, as shown and described.

[22] **Filed: Sep. 14, 1995**

[52] **U.S. Cl. D21/108**

DESCRIPTION

[58] **Field of Search** D21/108, 109, D21/114, 124, 125, 141; 446/103, 110, 115, 120, 124, 125, 128, 126, 479, 487

FIG. 1 is a top perspective view of the toy building element showing my new design;

FIG. 2 is a bottom perspective view thereof;

FIG. 3 is a right side elevational view thereof, the left side being identical;

FIG. 4 is a front elevational view thereof, the rear view being identical;

FIG. 5 is a bottom plan view thereof; and,

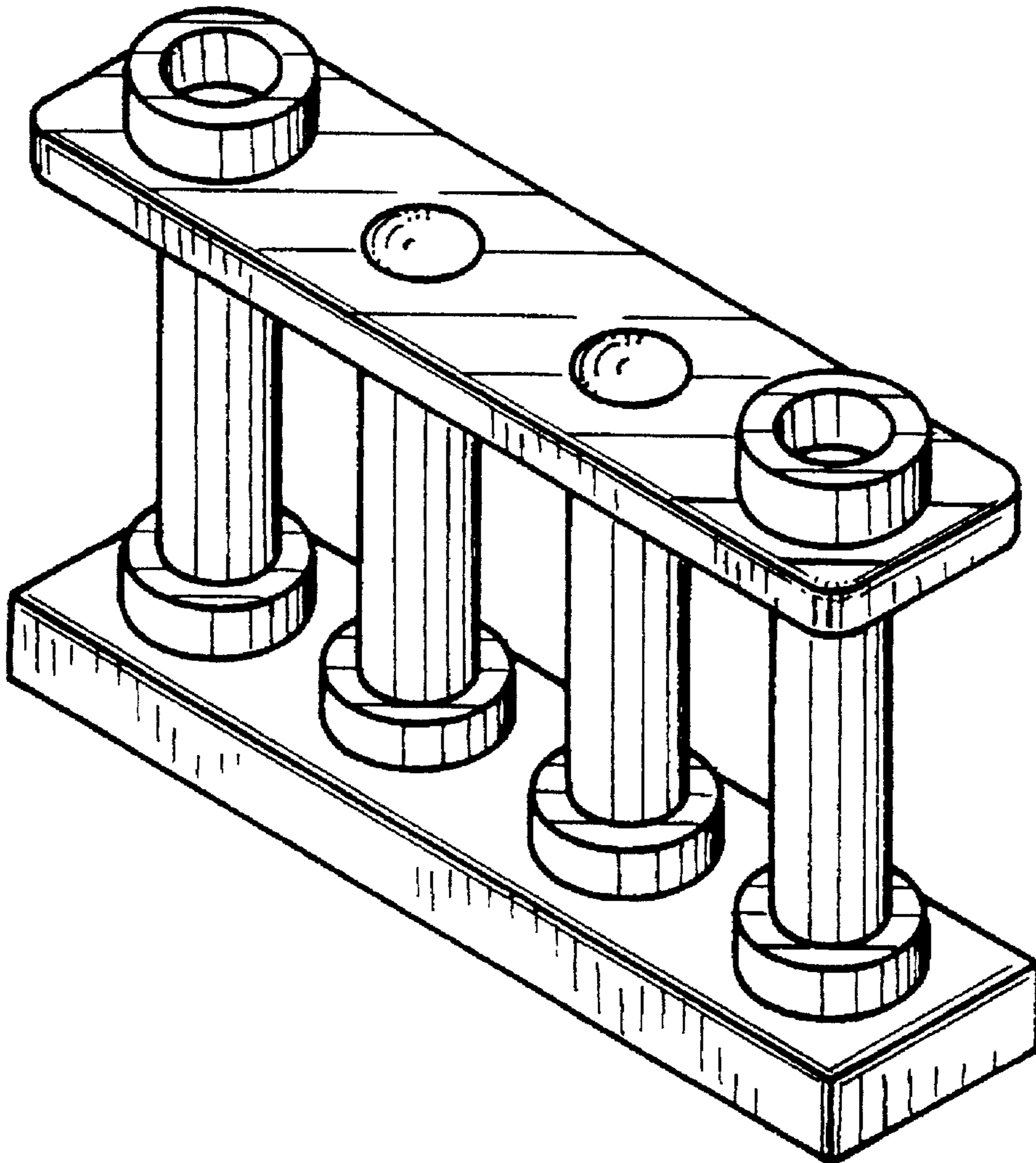
FIG. 6 is a top plan view thereof.

[56] **References Cited**

U.S. PATENT DOCUMENTS

D. 296,345	6/1988	Kushner	D21/108
D. 296,452	6/1988	Takahashi	D21/108
D. 303,819	10/1989	Frederiksen	D21/108
D. 316,282	4/1991	Winston	D21/108
D. 342,552	12/1993	Pagel	D21/108

1 Claim, 2 Drawing Sheets



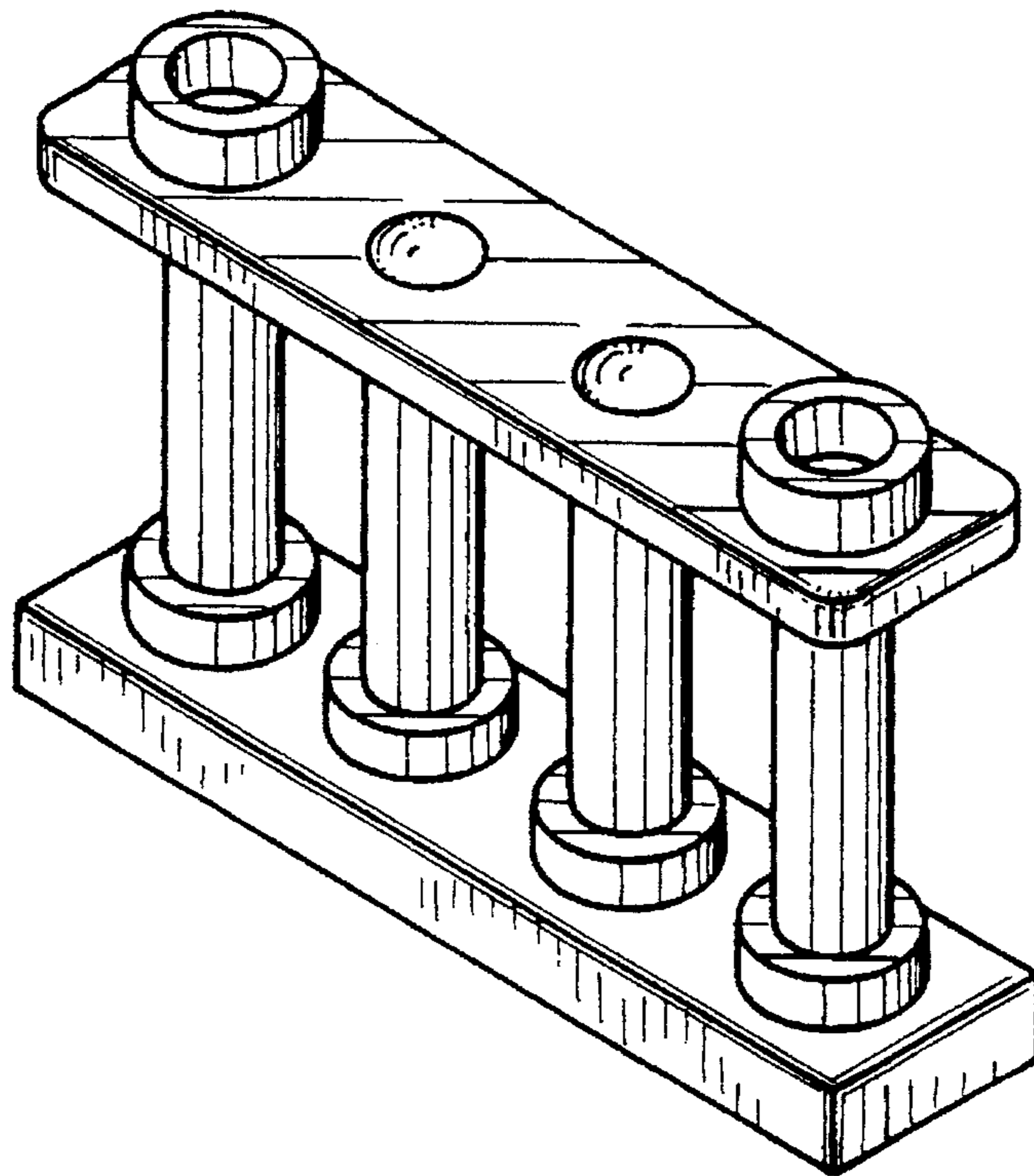


FIG. 1

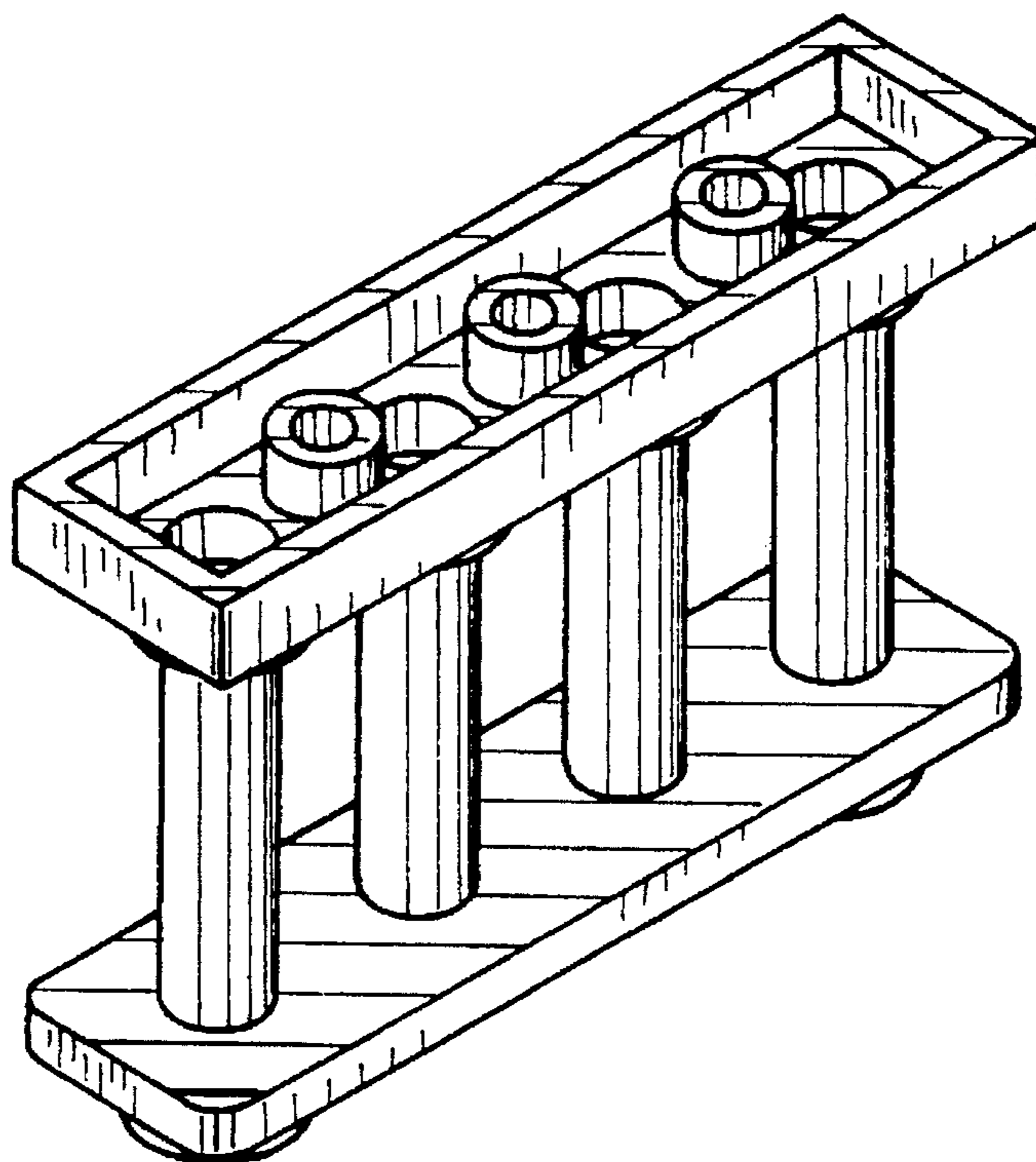


FIG. 2

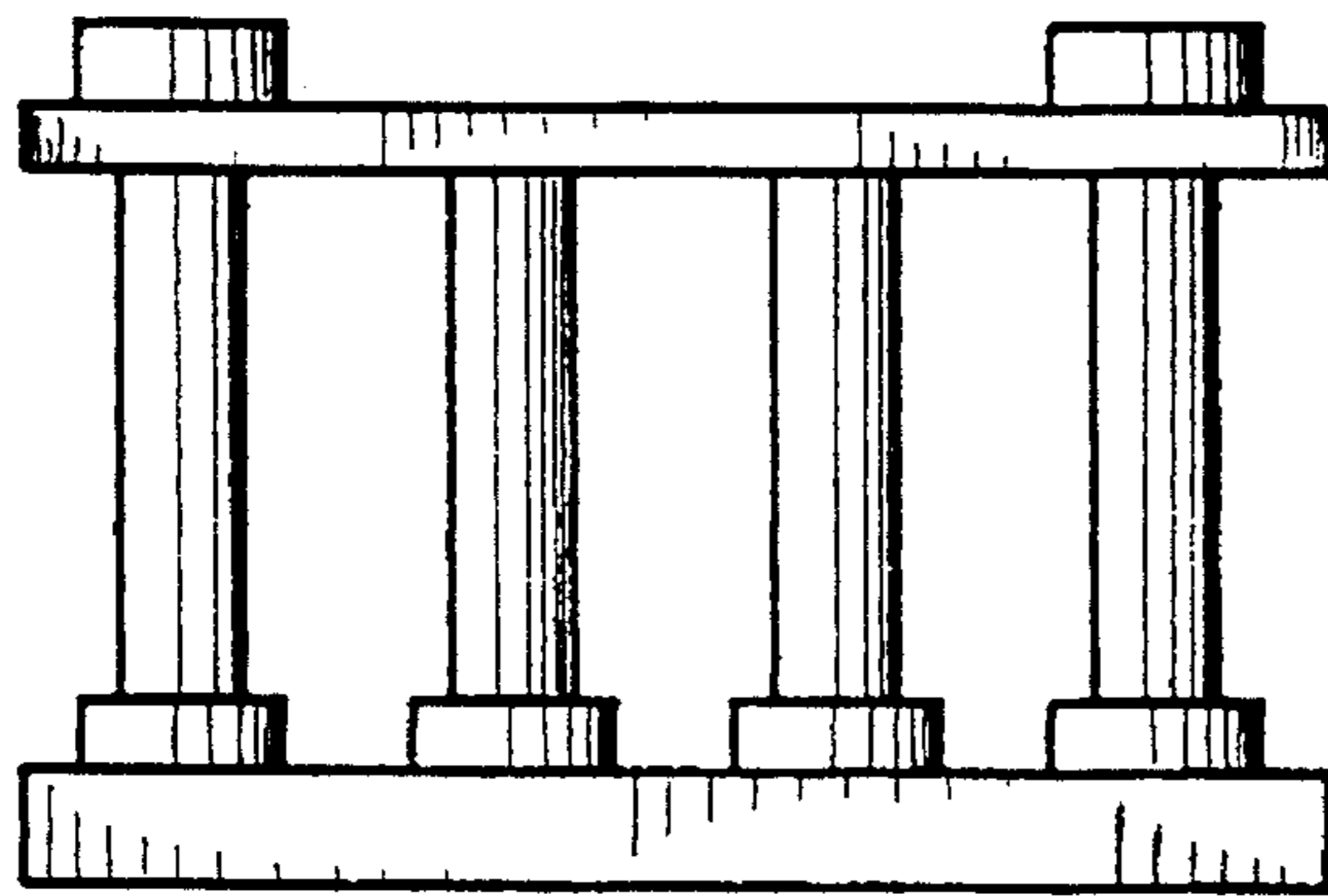


FIG. 4

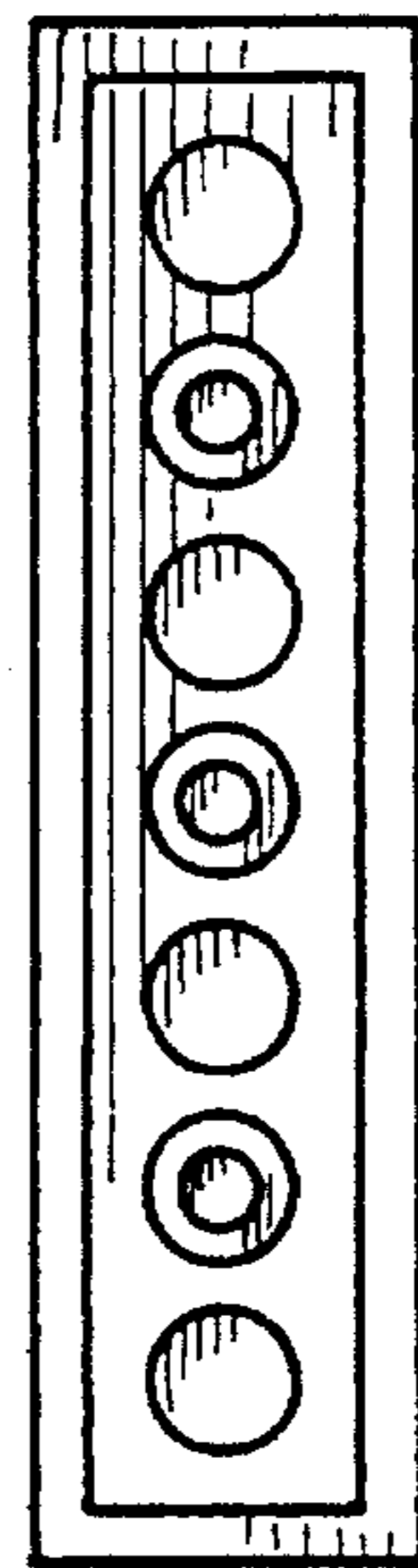


FIG. 5

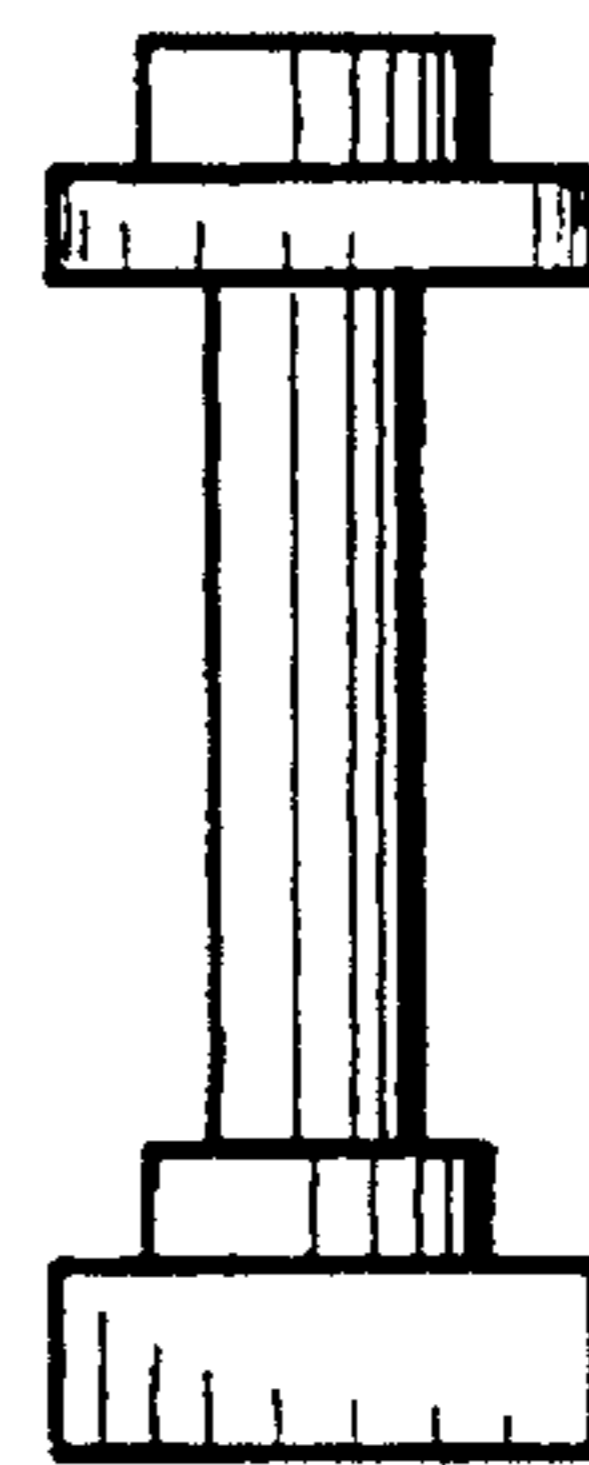


FIG. 3

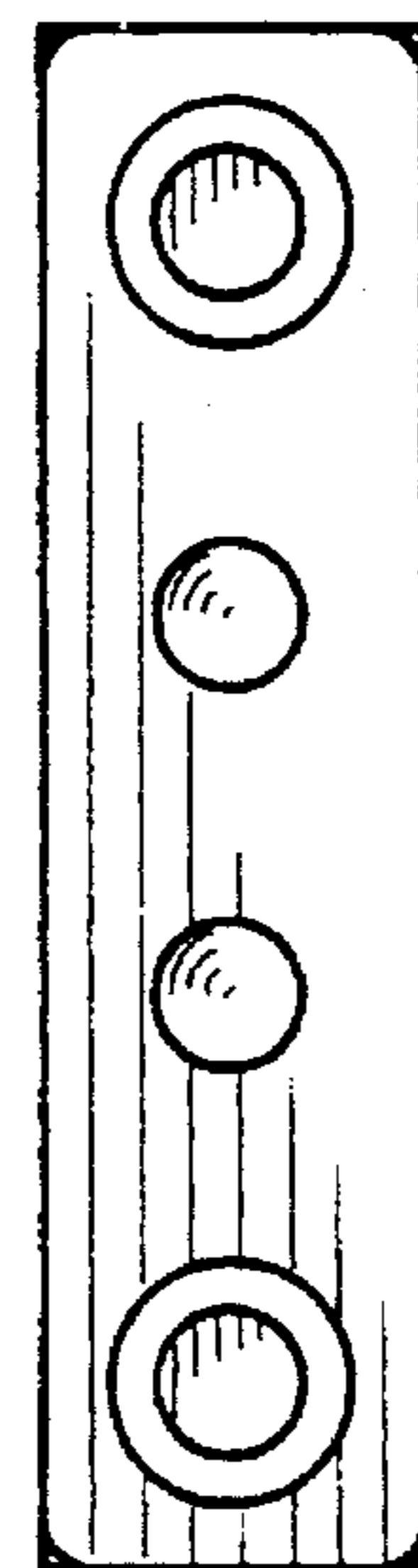


FIG. 6