



US00D373389S

United States Patent [19]

Bro et al.

[11] Patent Number: **Des. 373,389**

[45] Date of Patent: ****Sep. 3, 1996**

[54] **TOY MOTORCYCLE**

[75] Inventors: **Jay M. Bro; Peter J. Myers; Philip M. Baerenwald**, all of Plano, Tex.

[73] Assignee: **Today's Kids, Inc.**, Booneville, Ark.

[**] Term: **14 Years**

[21] Appl. No.: **18,402**

[22] Filed: **Feb. 4, 1994**

[52] U.S. Cl. **D21/81**

[58] Field of Search D21/71, 78, 80, D21/81, 134, 143; D12/110; 446/444, 446, 168; 280/87.01, 47.36, 827, 828, 259, 263, 265, 266, 218; 180/219, 229, 65.1

D. 307,610	5/1990	Harrod	D21/80
D. 312,060	11/1990	Matsuzawa et al.	D12/110
D. 314,167	1/1991	Kolter et al.	D12/110
D. 325,362	4/1992	Mogi et al.	D12/110
D. 325,363	4/1992	Yamada et al.	D12/110
D. 332,588	1/1993	Kohama et al.	D12/110
D. 333,641	3/1993	Sakaguchi et al.	D12/110
D. 346,833	5/1994	Klawitter	D21/80
4,685,530	8/1987	Hara	180/219
4,709,774	12/1987	Saito et al.	180/229
4,739,851	4/1988	Perego	180/65.1

Primary Examiner—Raphael Barkai
Attorney, Agent, or Firm—Kirkpatrick & Lockhart LLP

[57] CLAIM

The ornamental design for toy motorcycle, as shown and described.

[56] References Cited

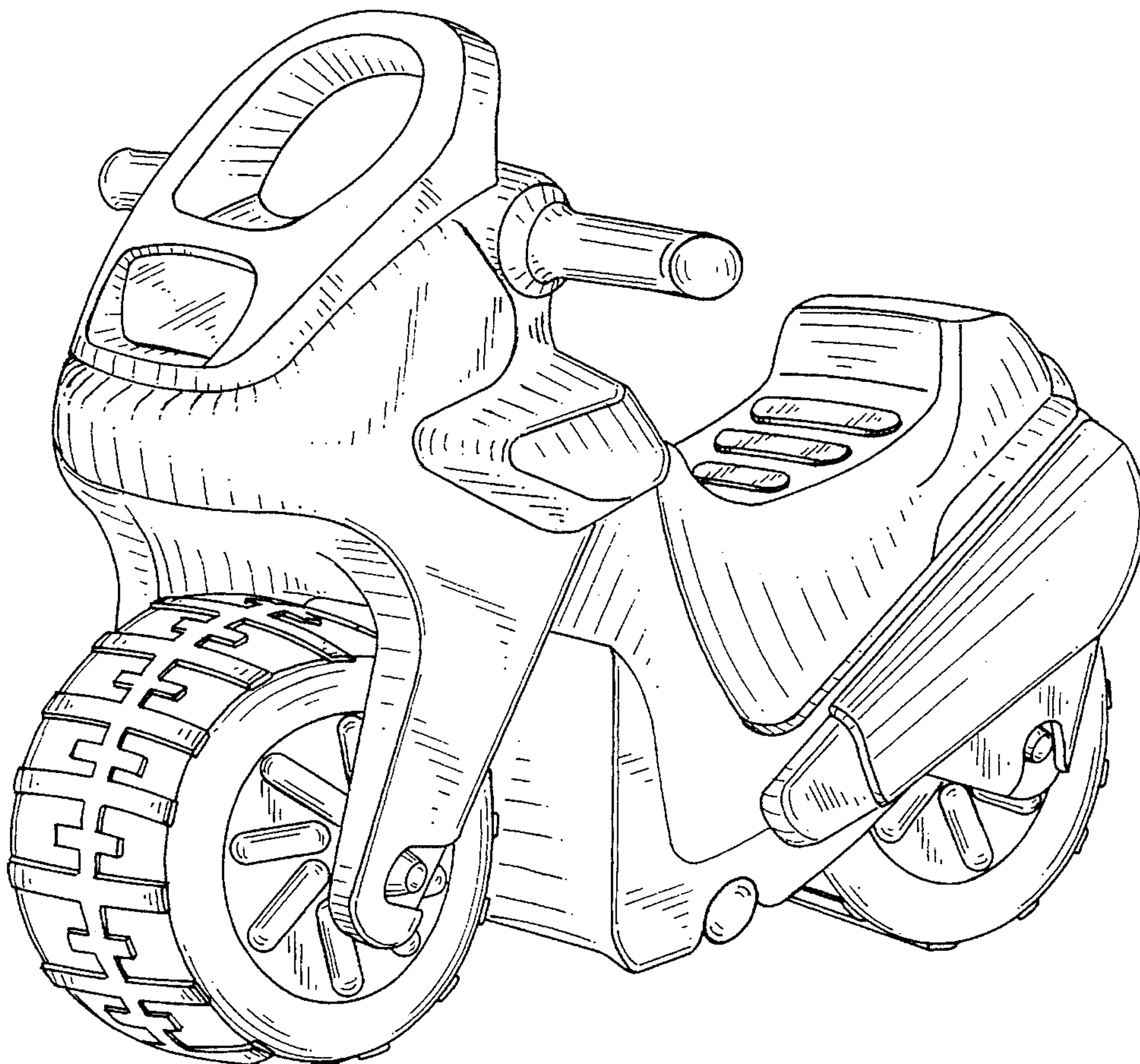
U.S. PATENT DOCUMENTS

D. 170,610	6/1953	Sebel	D34/15
D. 267,101	11/1982	Goldfarb et al.	D21/81
D. 268,772	4/1983	Hanzawa	D21/81
D. 273,852	5/1984	Ishiyama	D12/110
D. 274,713	7/1984	Morioka et al.	D12/110
D. 280,750	9/1985	Toshimasa	D21/134
D. 292,010	9/1987	Allen et al.	D21/78
D. 299,446	1/1989	Kohama et al.	D12/110
D. 299,447	1/1989	Sakuma et al.	D12/110
D. 305,009	12/1989	Kanazawa et al.	D12/110

DESCRIPTION

FIG. 1 is a perspective view of a toy motorcycle showing our new design;
FIG. 2 is a front view thereof;
FIG. 3 is a rear view thereof;
FIG. 4 is a right side elevational view thereof;
FIG. 5 is a left side elevational view thereof;
FIG. 6 is a top view thereof; and,
FIG. 7 is a bottom view thereof.

1 Claim, 7 Drawing Sheets



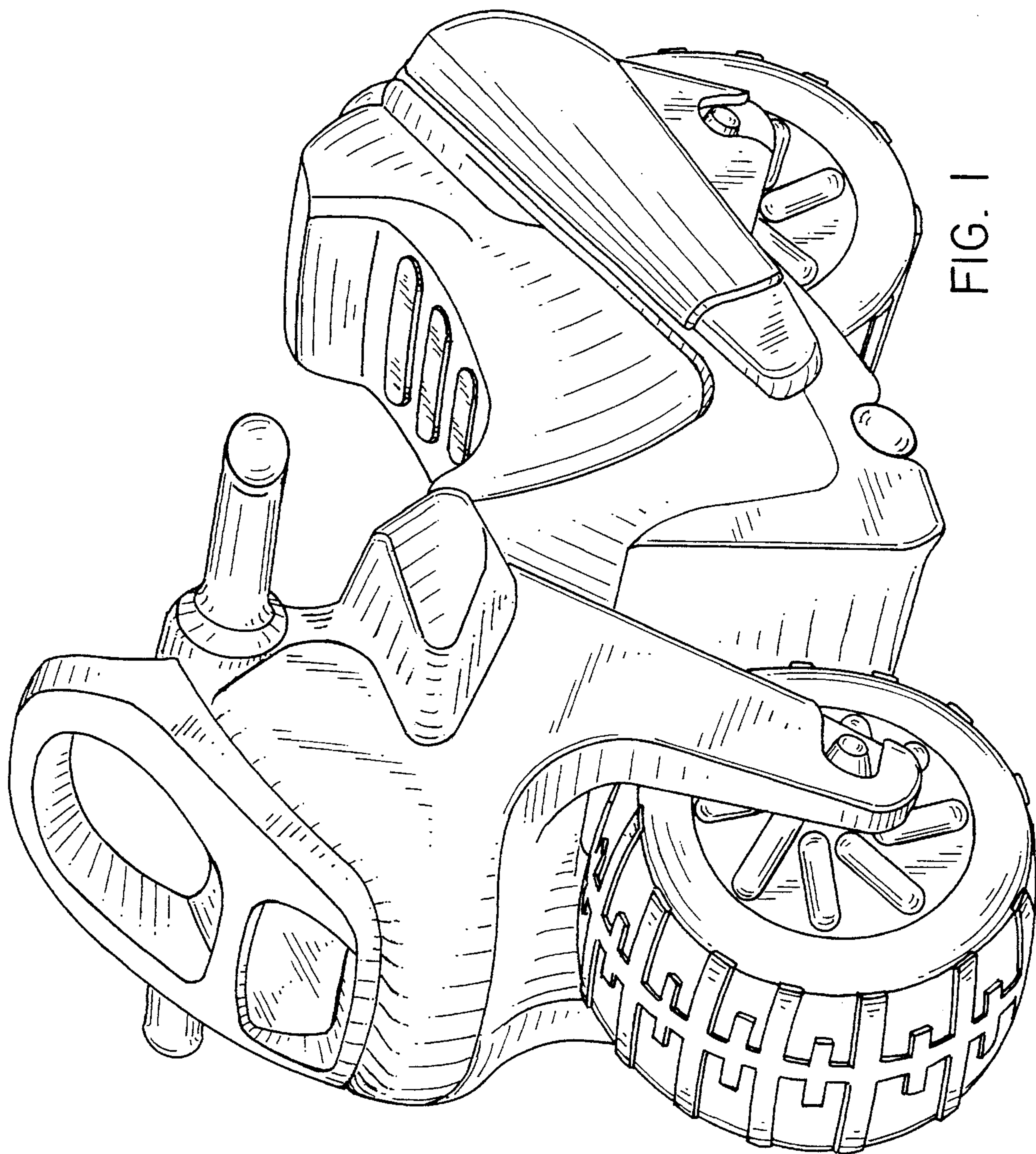


FIG. 1

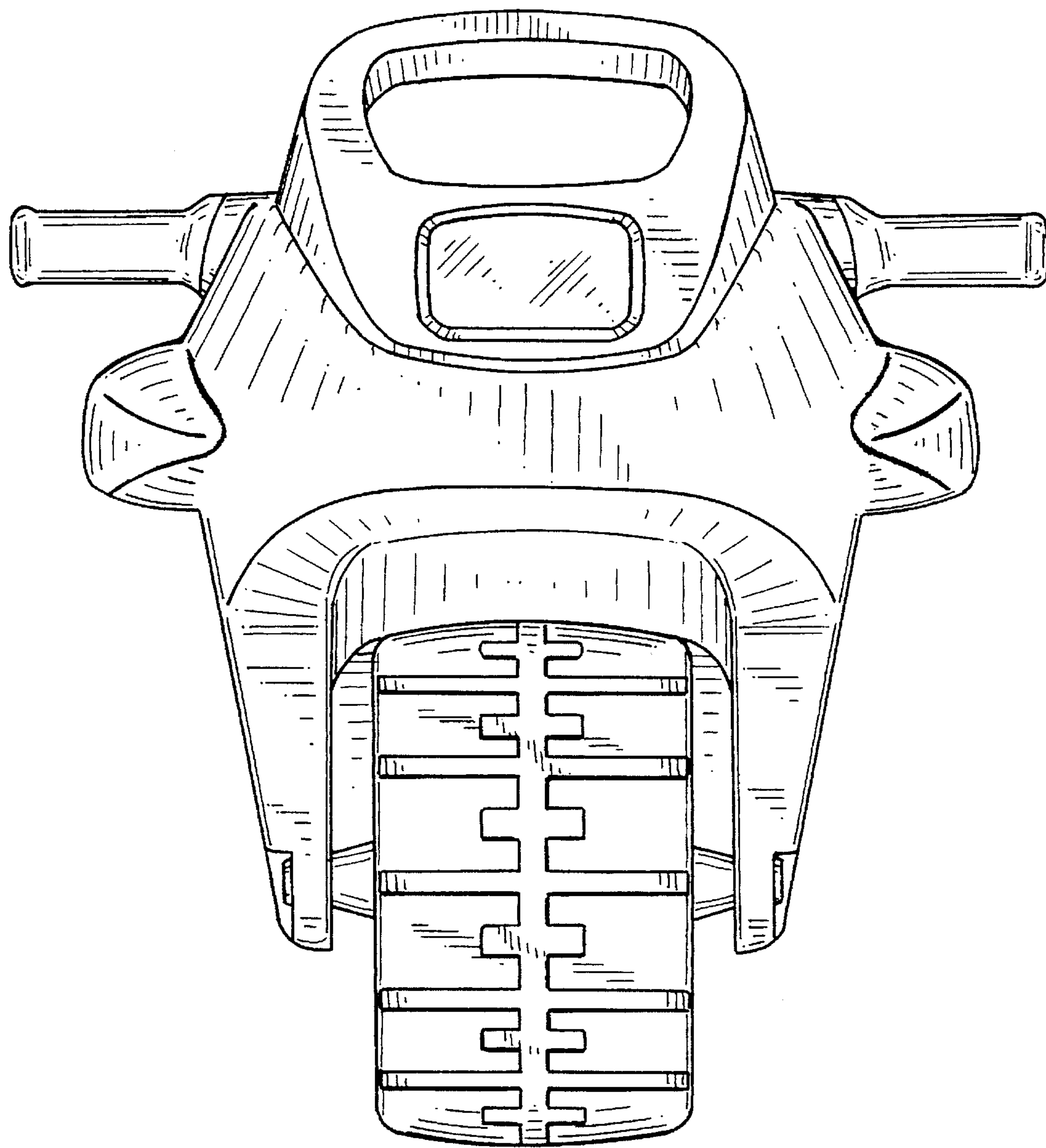


FIG. 2

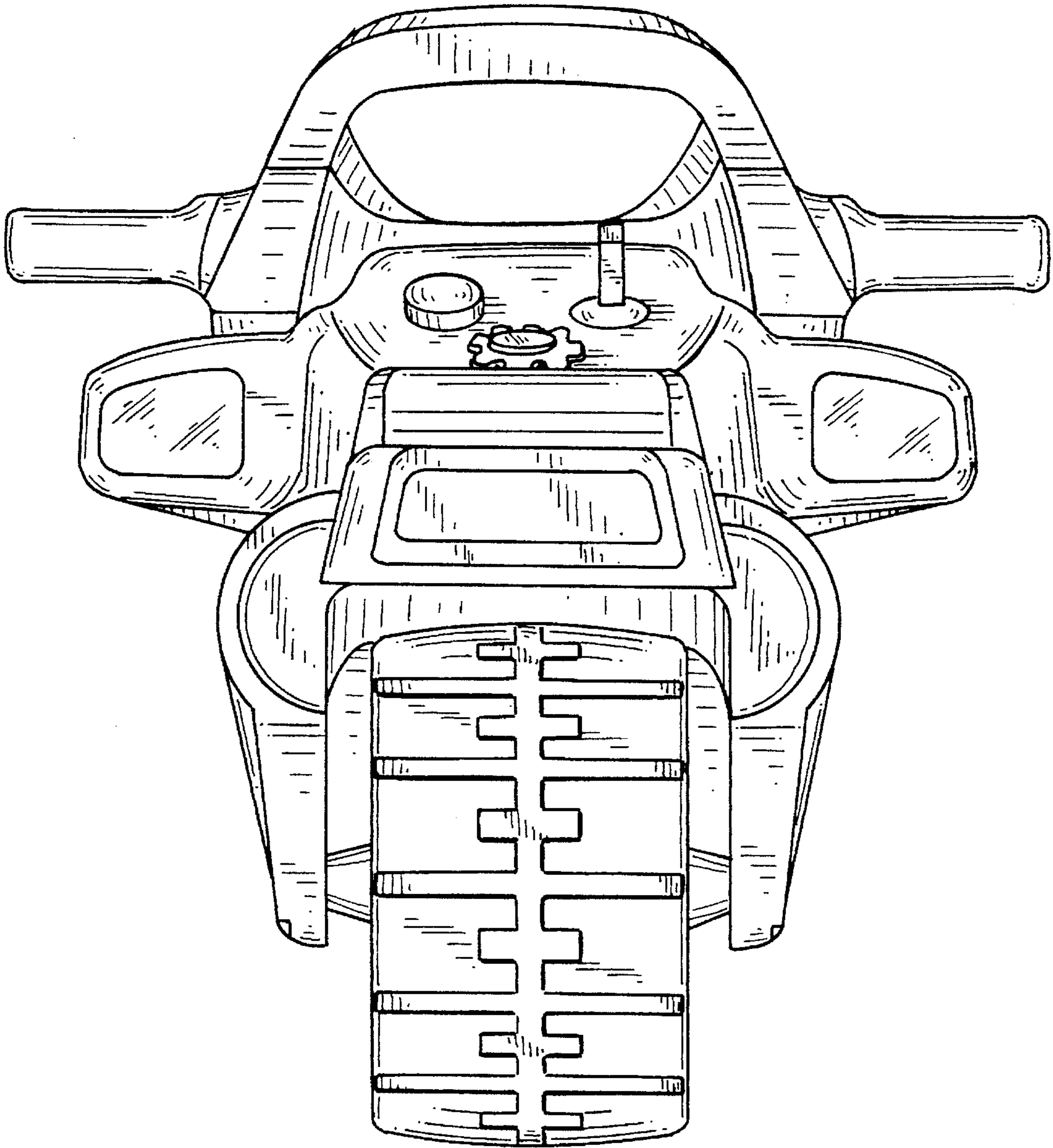


FIG. 3

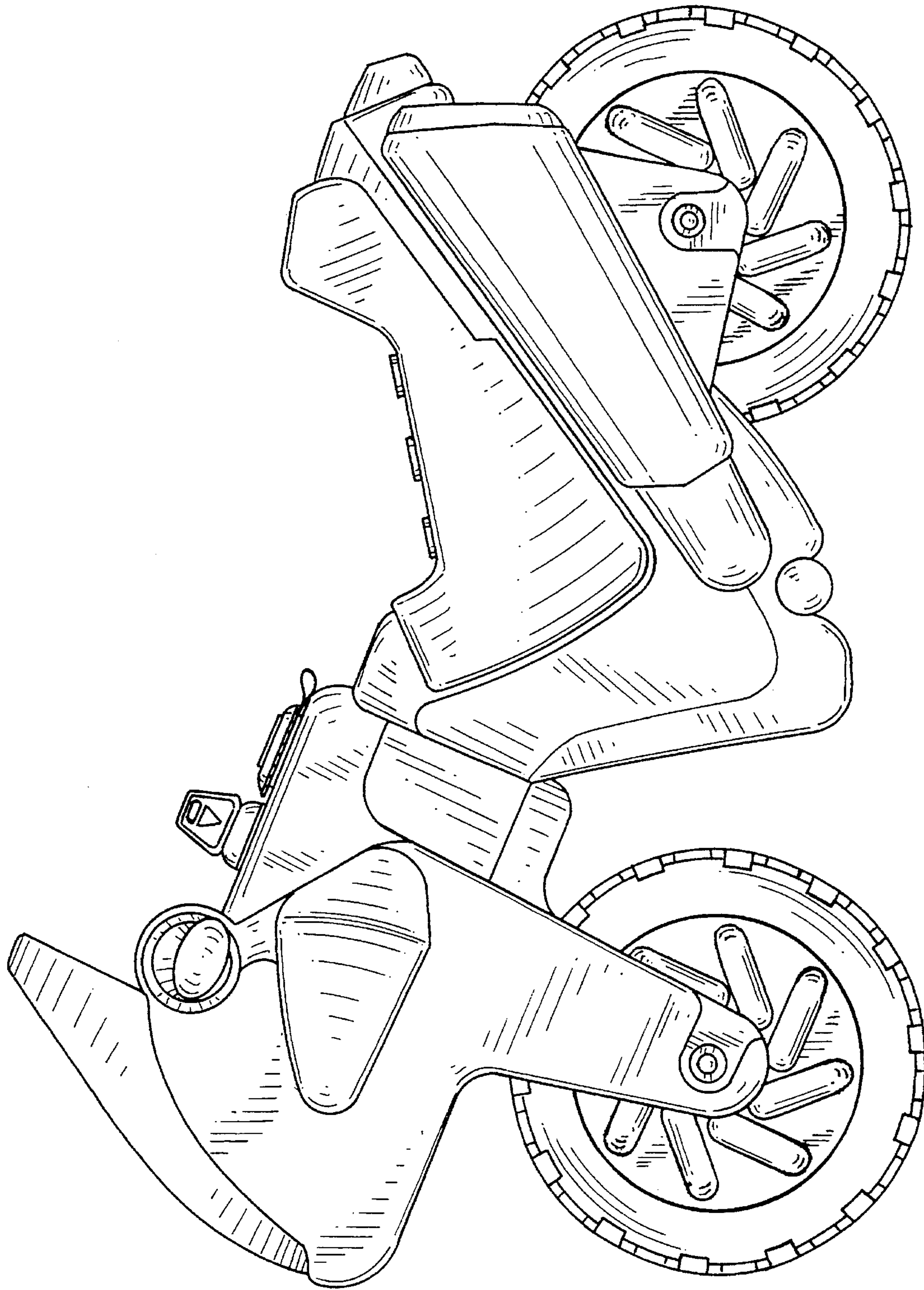


FIG. 4

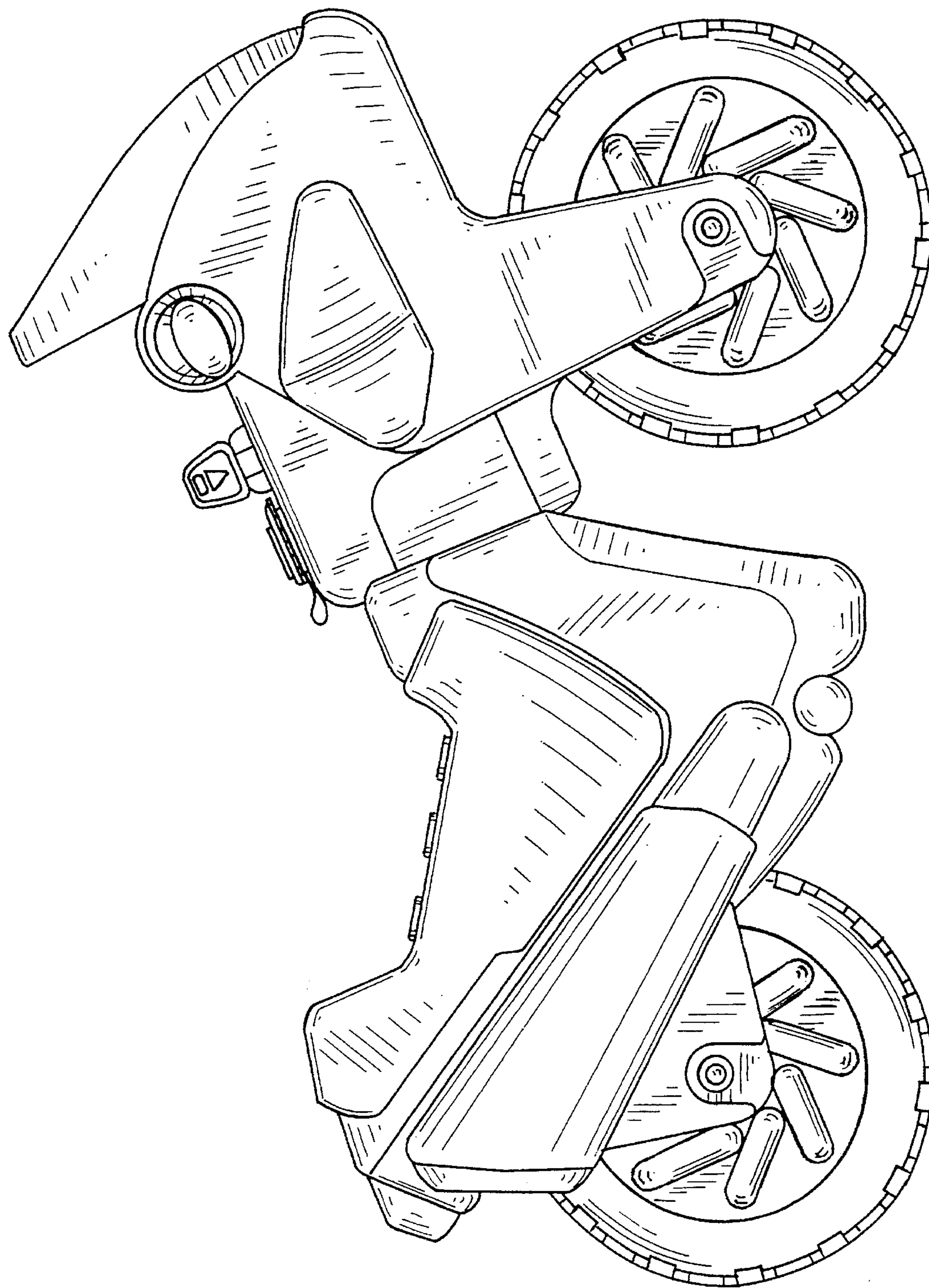


FIG. 5

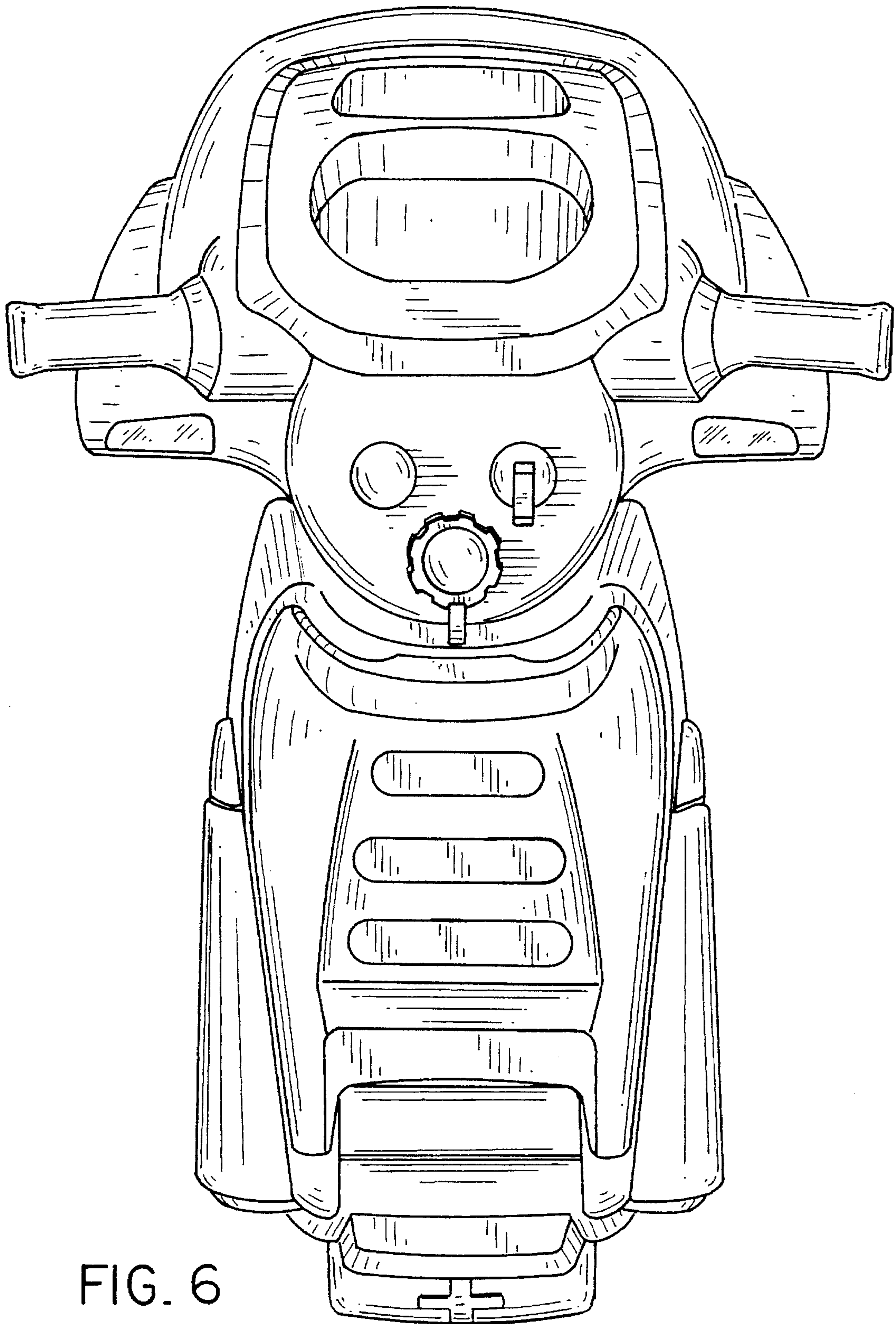


FIG. 6

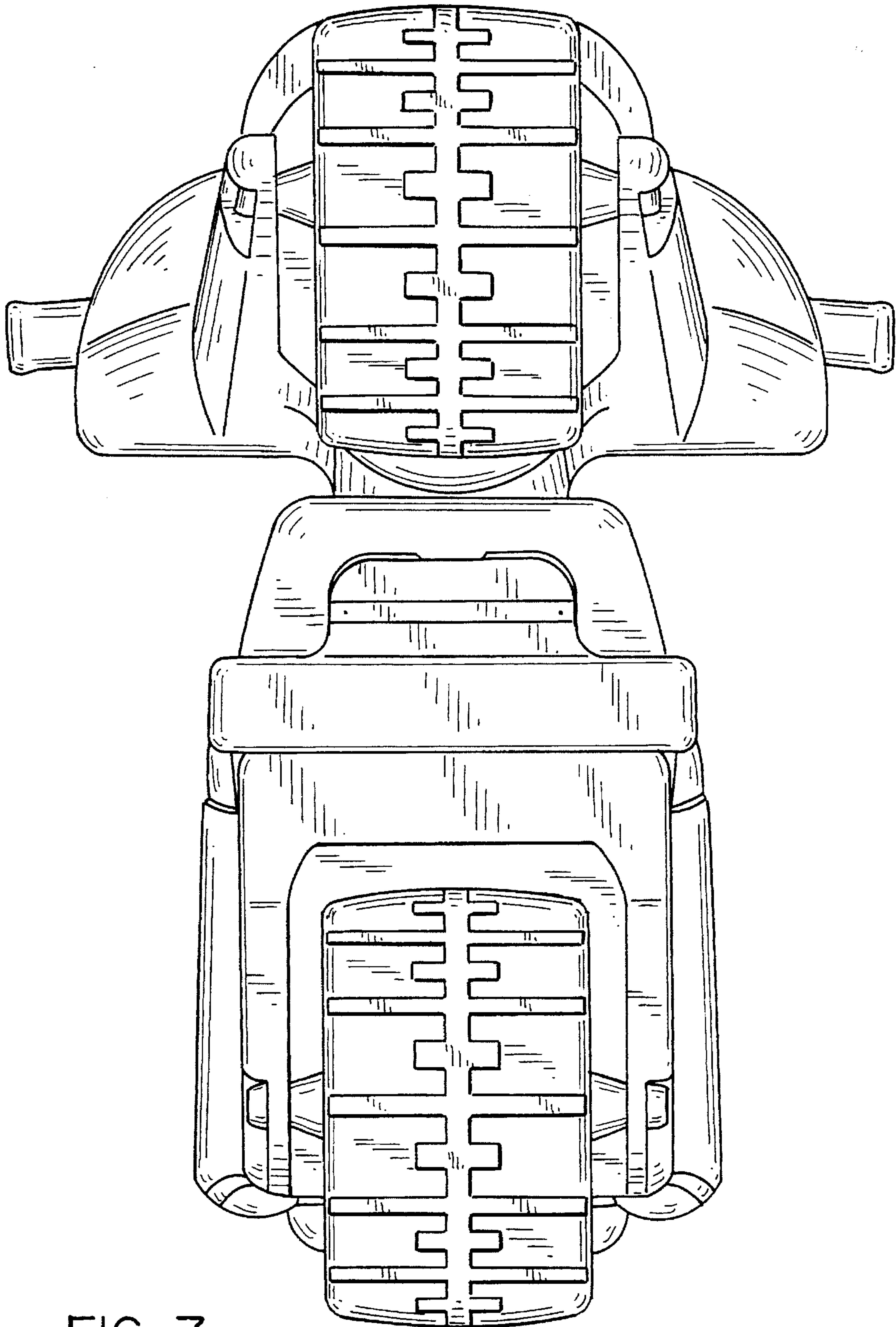


FIG. 7