



US00D373385S

United States Patent [19]
Birkholz

[11] **Patent Number: Des. 373,385**

[45] **Date of Patent: **Sep. 3, 1996**

[54] **PUNCH TOOL**

[75] Inventor: **Douglas J. Birkholz**, Deforest, Wis.

[73] Assignee: **Fiskars Inc.**, Madison, Wis.

[**] Term: **14 Years**

[21] Appl. No.: **29,395**

[22] Filed: **Oct. 4, 1994**

[52] U.S. Cl. **D19/72; D19/65**

[58] **Field of Search** **D19/65, 72, 73,**
D19/99, 100; D8/49, 50, 98; 30/358, 363;
83/560, 588, 618, 633, 167, 465

[56] **References Cited**

U.S. PATENT DOCUMENTS

99,065	1/1870	Culver .	
D. 256,479	8/1980	Manusch	D19/72
D. 304,131	10/1989	Tanigami	D19/72 X
D. 321,907	11/1991	Matsuno	D19/65 X
3,073,199	1/1963	Yerkes .	
4,594,927	6/1986	Mori .	
4,656,907	4/1987	Hymmen .	
4,742,744	5/1988	Lindberg .	
5,247,863	9/1993	Cohen .	

OTHER PUBLICATIONS

Family Treasures Brochure, May 1994, pp. 5-7: This brochure shows a variety of punches that can use interchangeable dies.

Primary Examiner—Martie Thompson
Attorney, Agent, or Firm—Foley & Lardner

[57] **CLAIM**

The ornamental design for a punch tool, as shown and described.

DESCRIPTION

FIG. 1 is a front elevational view of a punch tool showing my new design;

FIG. 2 is a rear elevational view thereof;

FIG. 3 is a side elevational view thereof as seen from the left of FIG. 1;

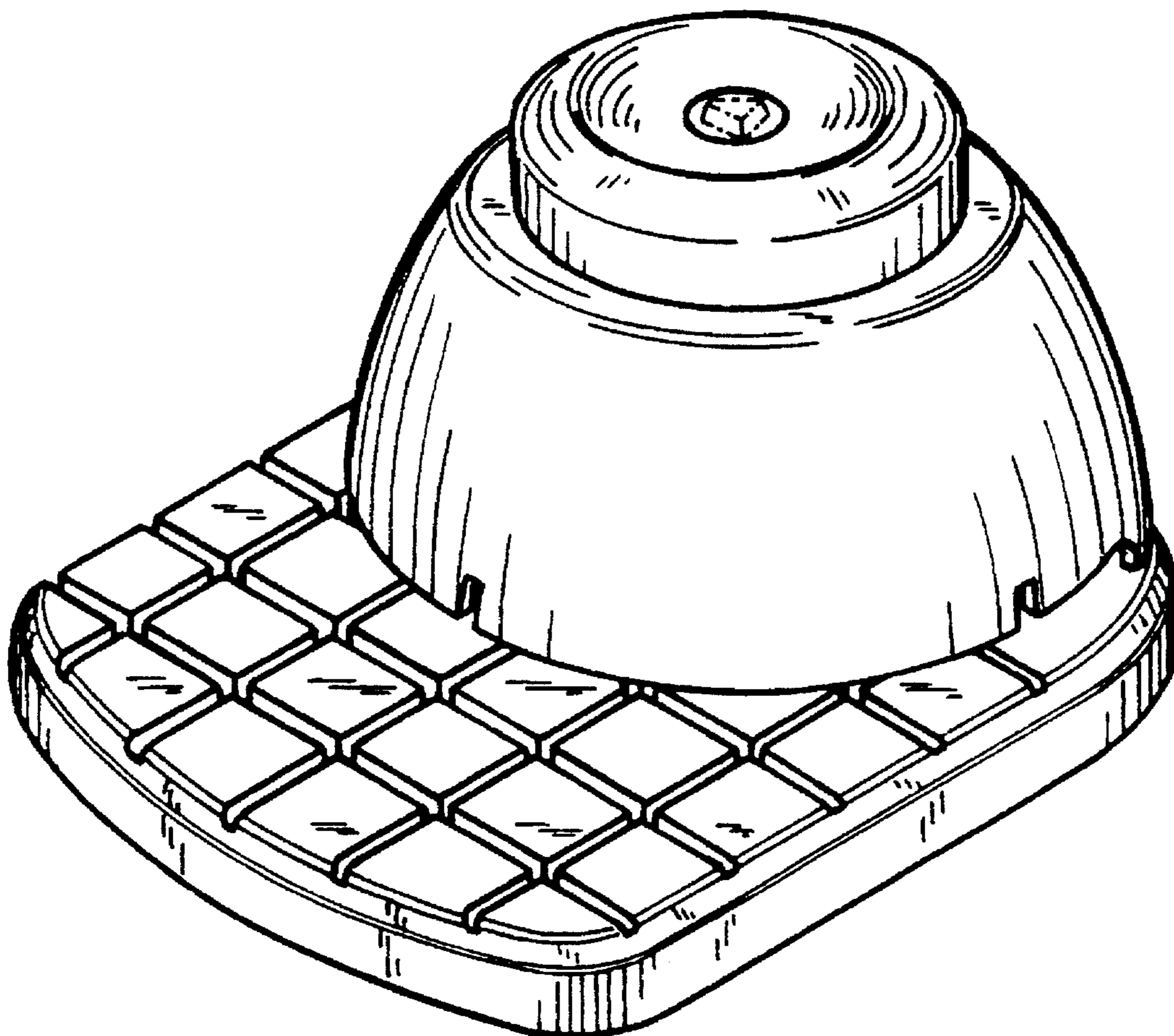
FIG. 4 is a top plan view thereof;

FIG. 5 is a bottom view thereof; and,

FIG. 6 is a perspective view thereof.

The broken line illustration in FIGS. 4 and 5 is for illustrative purposes only and forms no part of the claimed design.

1 Claim, 3 Drawing Sheets



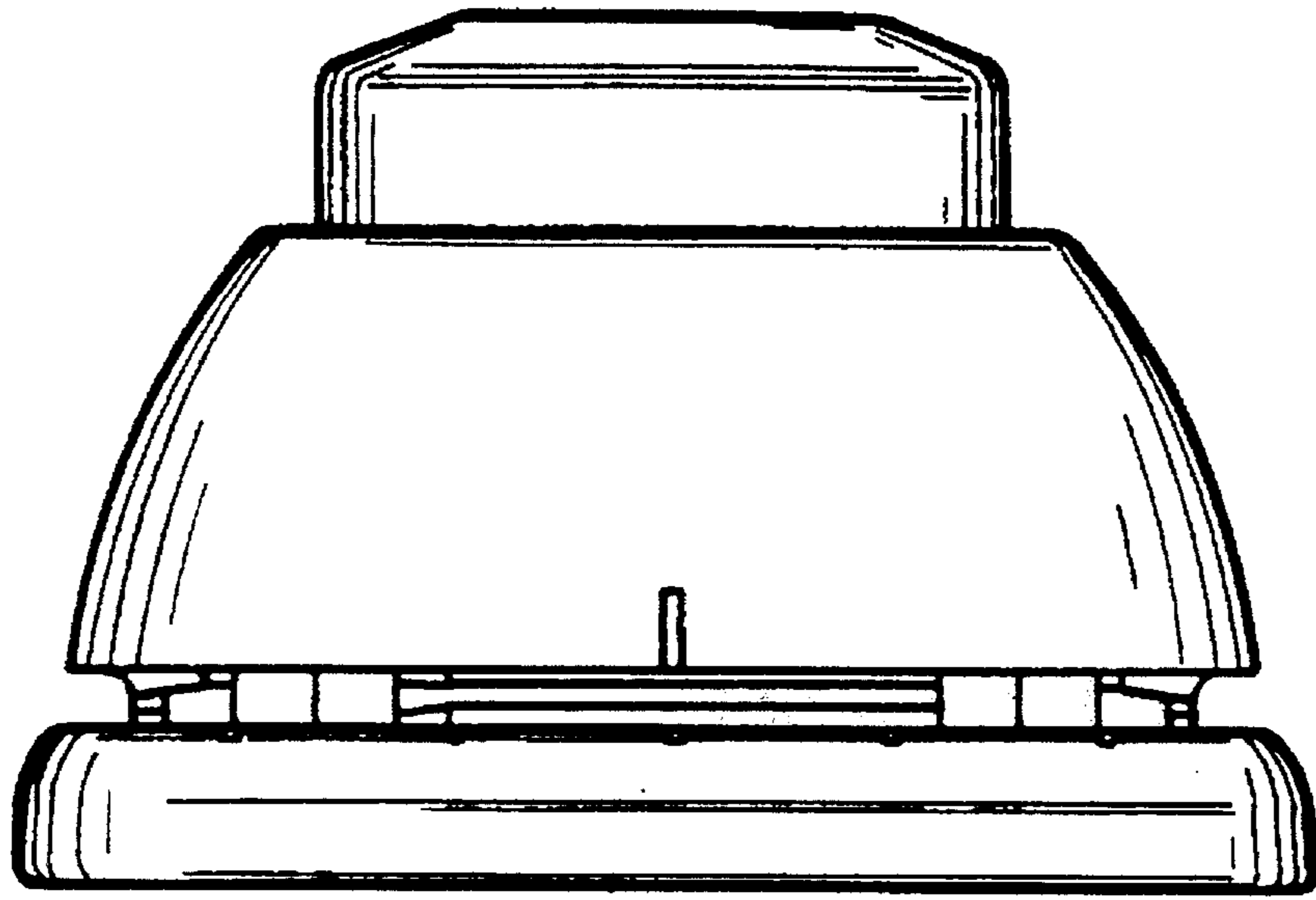


FIG. 1

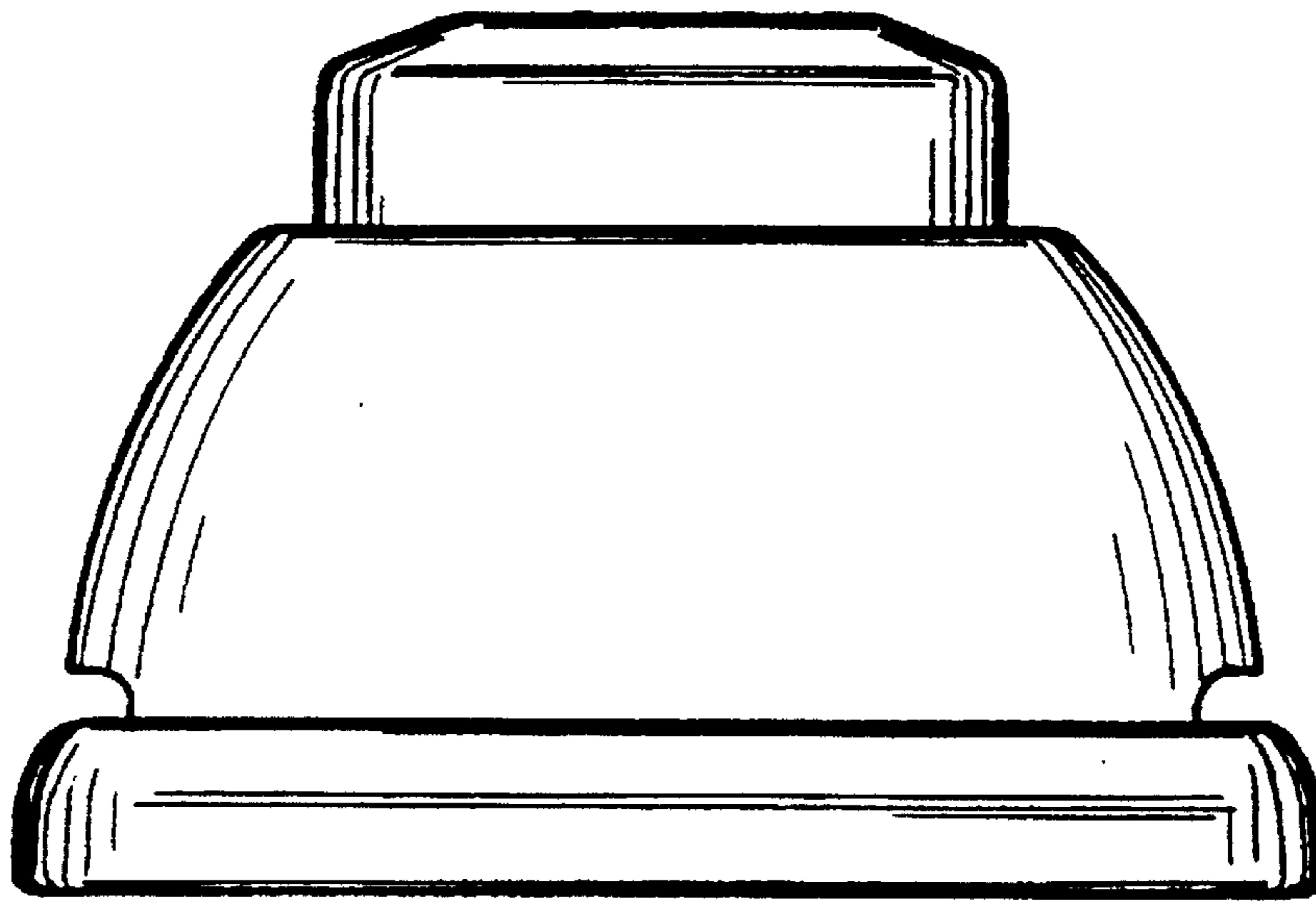


FIG. 2

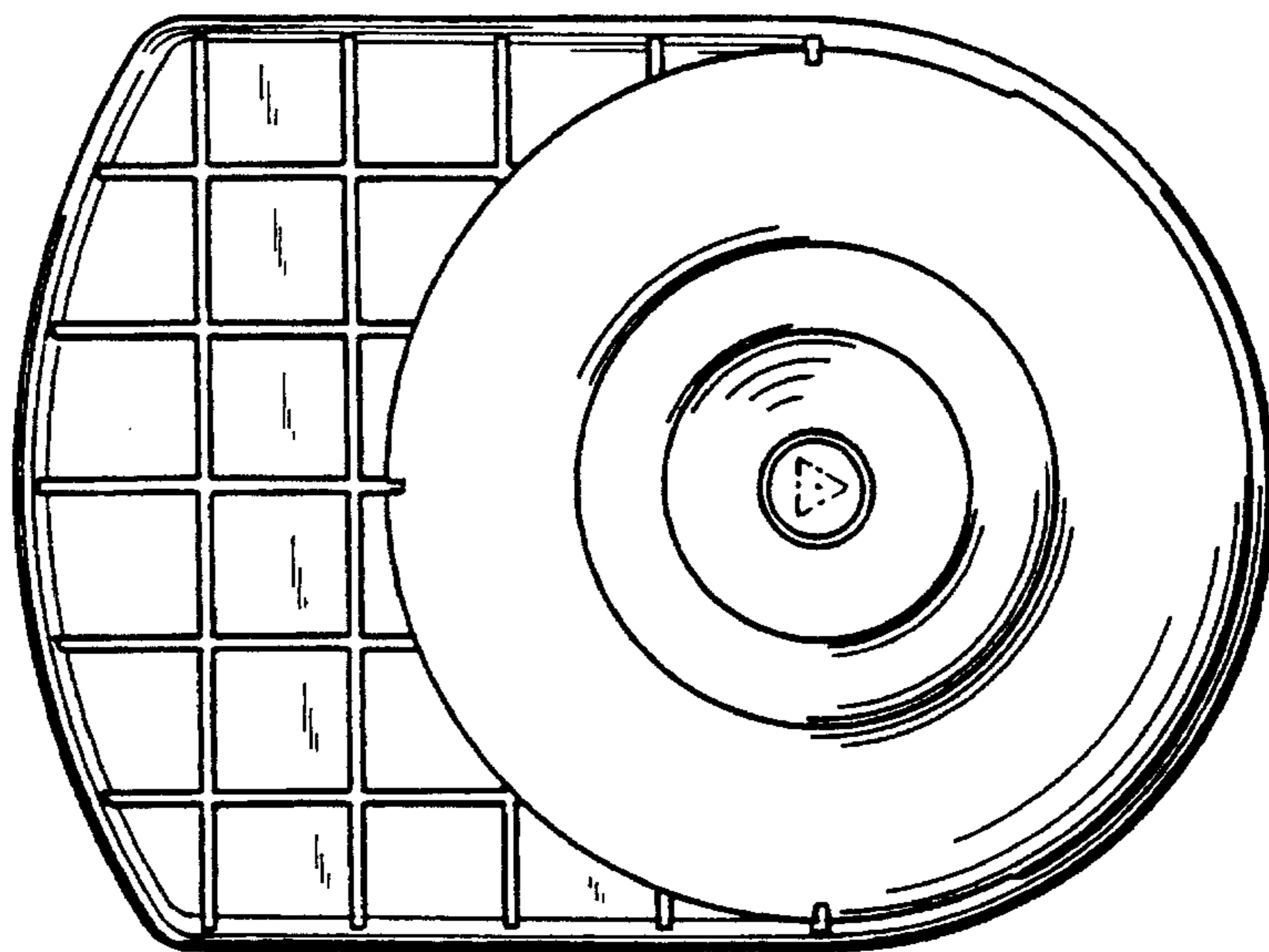


FIG. 4

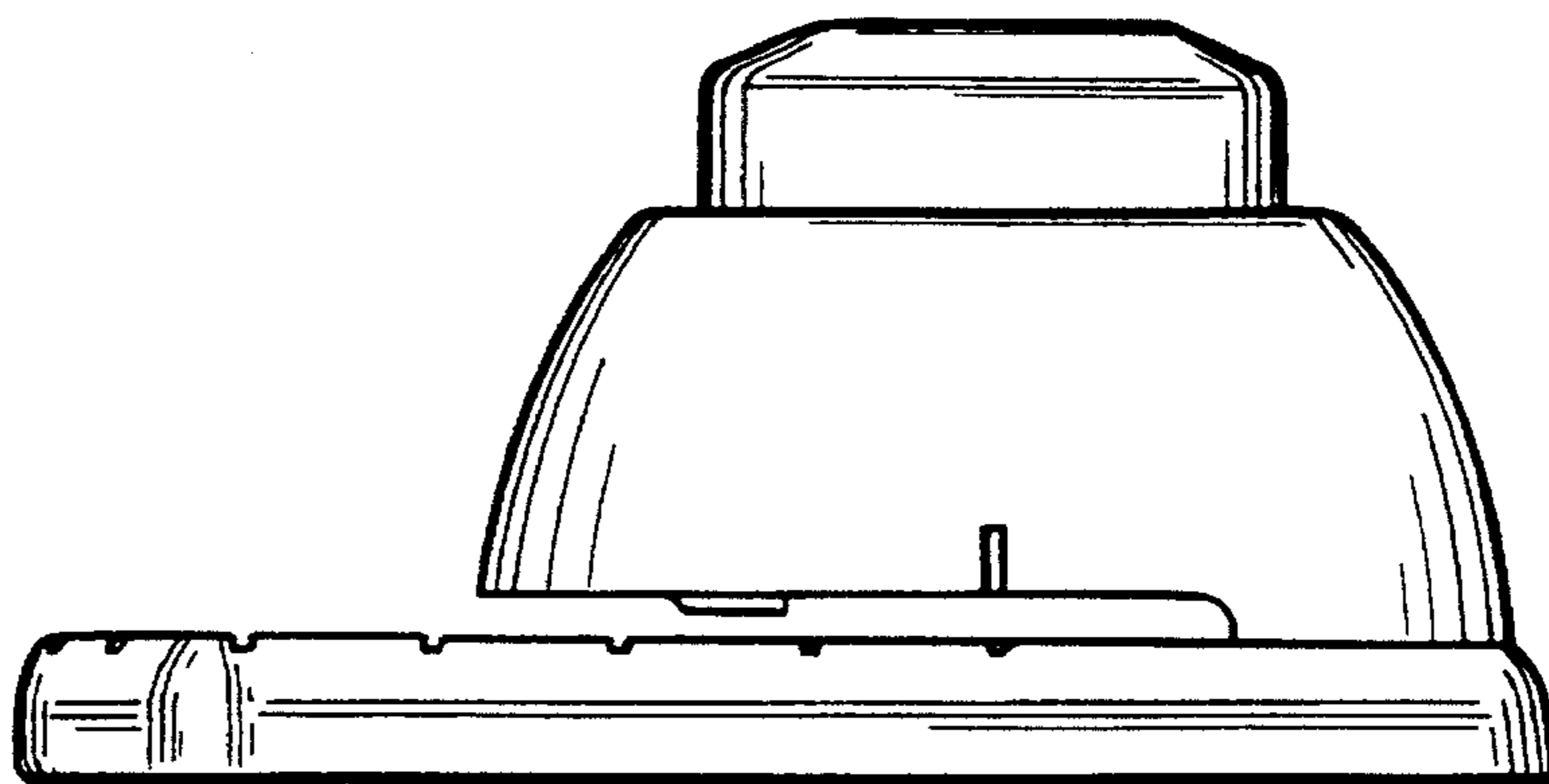


FIG. 3

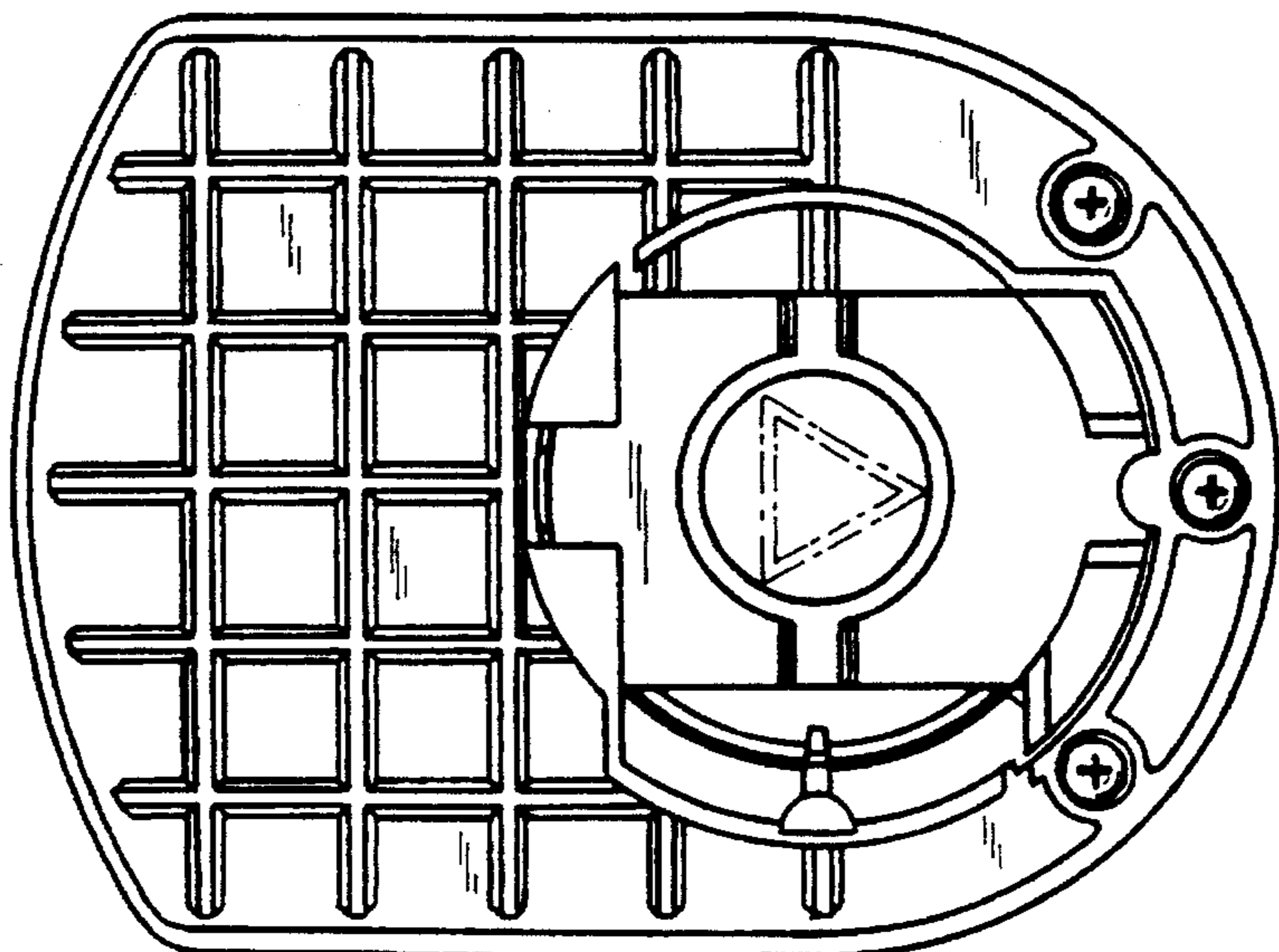


FIG. 5

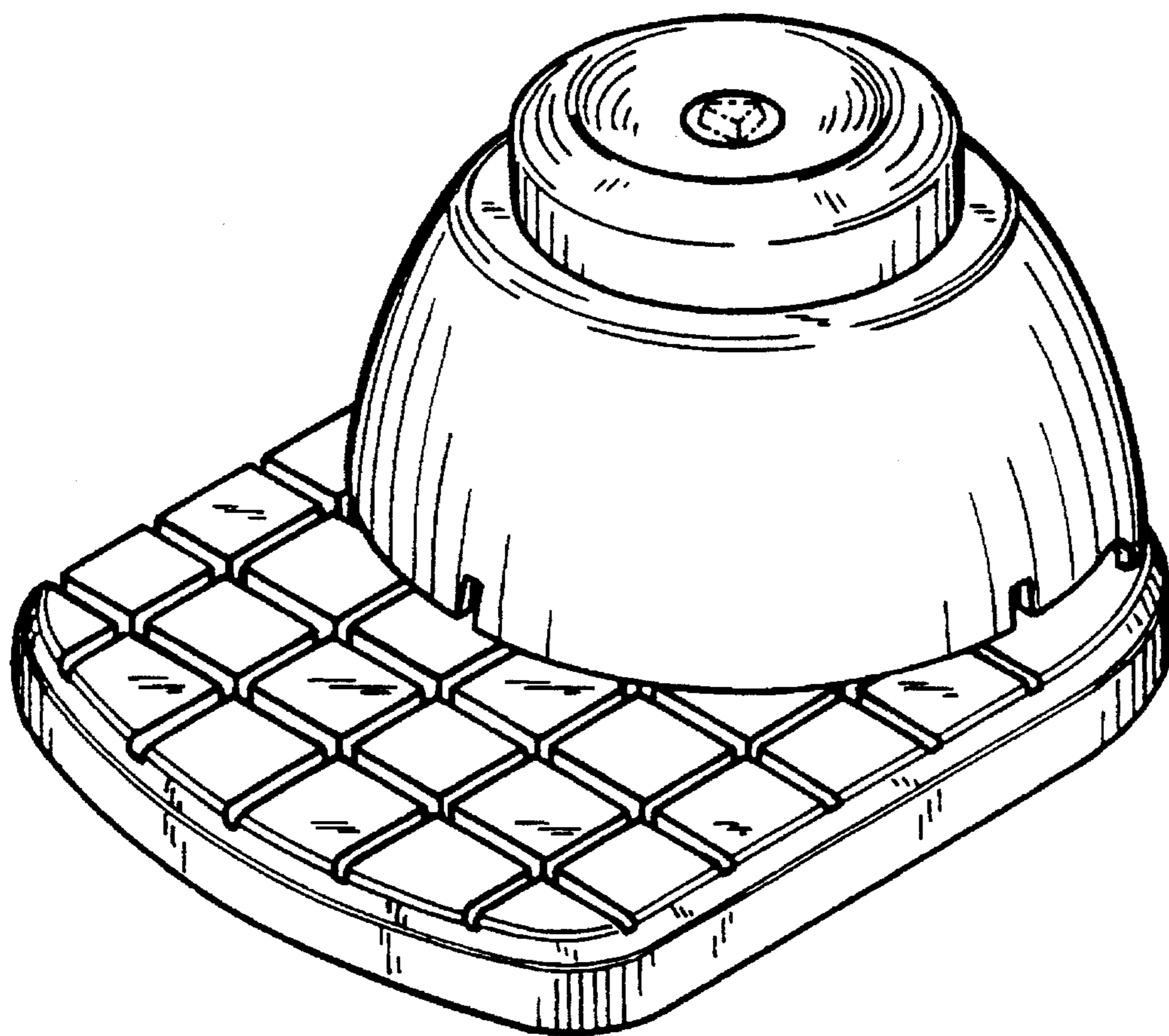


FIG. 6