



US00D373380S

United States Patent [19]

[11] Patent Number: **Des. 373,380**

Dwyer et al.

[45] Date of Patent: ****Sep. 3, 1996**

[54] **INKJET PRINTER**

4,958,823 9/1990 Iwaki et al. 271/164
5,454,553 10/1995 Firl et al. 271/145

[75] Inventors: **Daniel R. Dwyer**, Washougal; **Gene D. Jones**, Yacolt; **Thomas E. McCue, Jr.**, Vancouver; **Michael K. Bowen**, Vancouver; **Michael M. Leon**, Washougal, all of Wash.

FOREIGN PATENT DOCUMENTS

165242 7/1988 Japan 271/164
35567 2/1989 Japan D18/49

[73] Assignee: **Hewlett-Packard Company**, Palo Alto, Calif.

OTHER PUBLICATIONS

Tektronix brochure; Phaser™ 11sd Color Printer.
Epson Laser Printer LP-15005 brochure.
Mitsubishi brochure for S 340-10 Thermal-line Colour Printer; Nov. 1989.
Compaq Pagemarq 20 Laser Printer brochure.

[**] Term: **14 Years**

Primary Examiner—Cathy Anne MacCormac
Attorney, Agent, or Firm—Flory L. Martin

[21] Appl. No.: **35,642**

[22] Filed: **Mar. 2, 1995**

[52] U.S. Cl. **D18/55**

[58] Field of Search D18/50, 54-55,
D18/46-49; 271/2, 9.09, 9.11, 9.13, 162,
164, 145; 400/691-694, 613.1-613.4, 613,
690.1-690.4

[57] CLAIM

The ornamental design for an inkjet printer, as shown and described.

[56] References Cited

DESCRIPTION

U.S. PATENT DOCUMENTS

D. 232,195	7/1974	Conway et al.	D18/55
D. 317,173	5/1991	Kojima et al.	D18/55
D. 322,451	12/1991	McClelland et al.	D18/55
D. 335,894	5/1993	Nishikaze et al.	D18/55
D. 343,637	1/1994	Umino et al.	D18/55
D. 348,899	7/1994	Masujima et al.	D18/55
D. 356,596	3/1995	Dubson et al.	D18/55
D. 358,603	5/1995	Dodge et al.	D18/55
4,744,681	5/1988	Sheldon	D18/55

FIG. 1 is a perspective view of an inkjet printer in accordance with the present invention;
FIG. 2 is a top plan view thereof;
FIG. 3 is a front elevational view thereof;
FIG. 4 is a bottom plan view thereof;
FIG. 5 is a rear elevational view thereof;
FIG. 6 is a right side elevational view thereof; and,
FIG. 7 is a left side elevational view thereof.

1 Claim, 6 Drawing Sheets

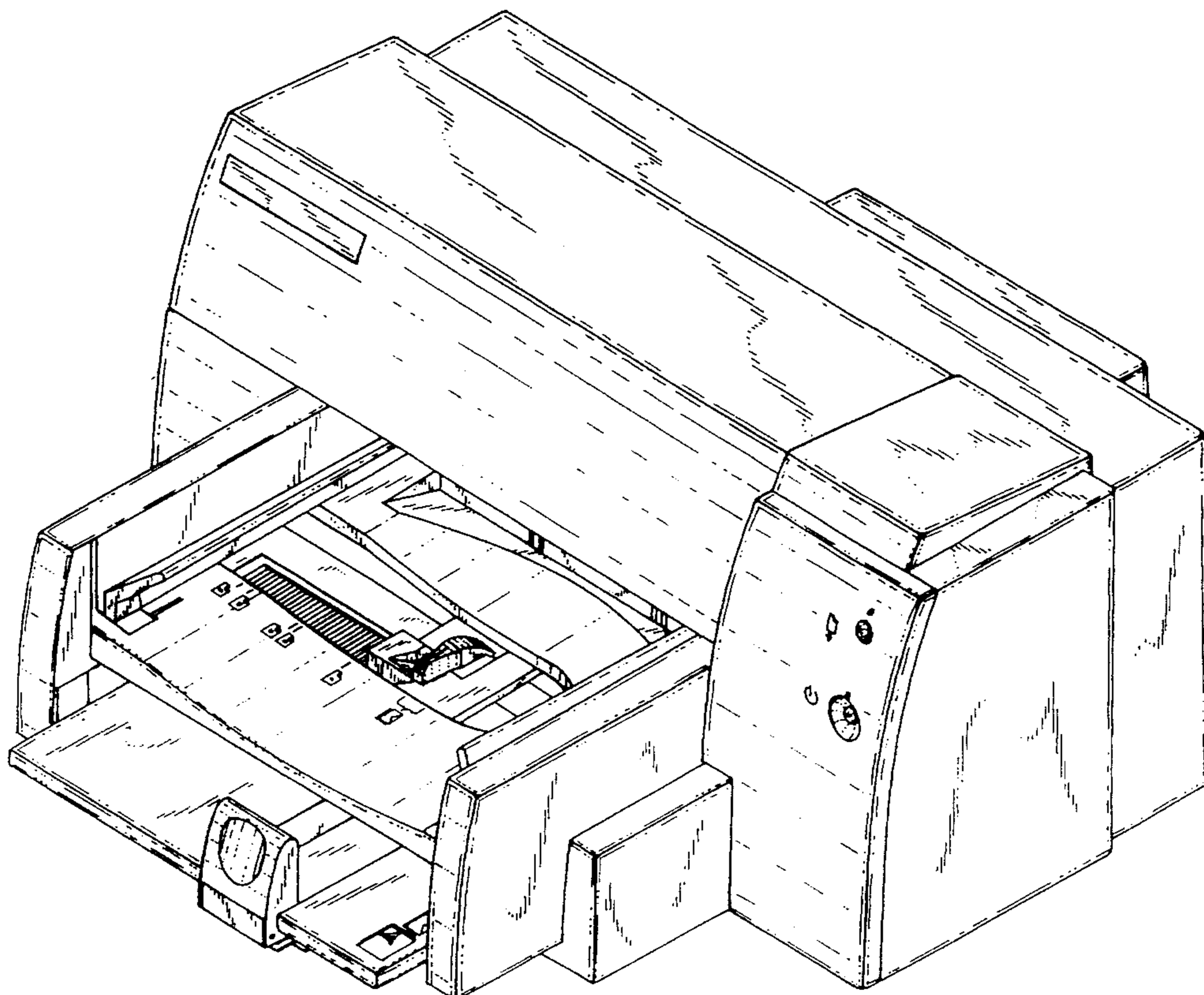
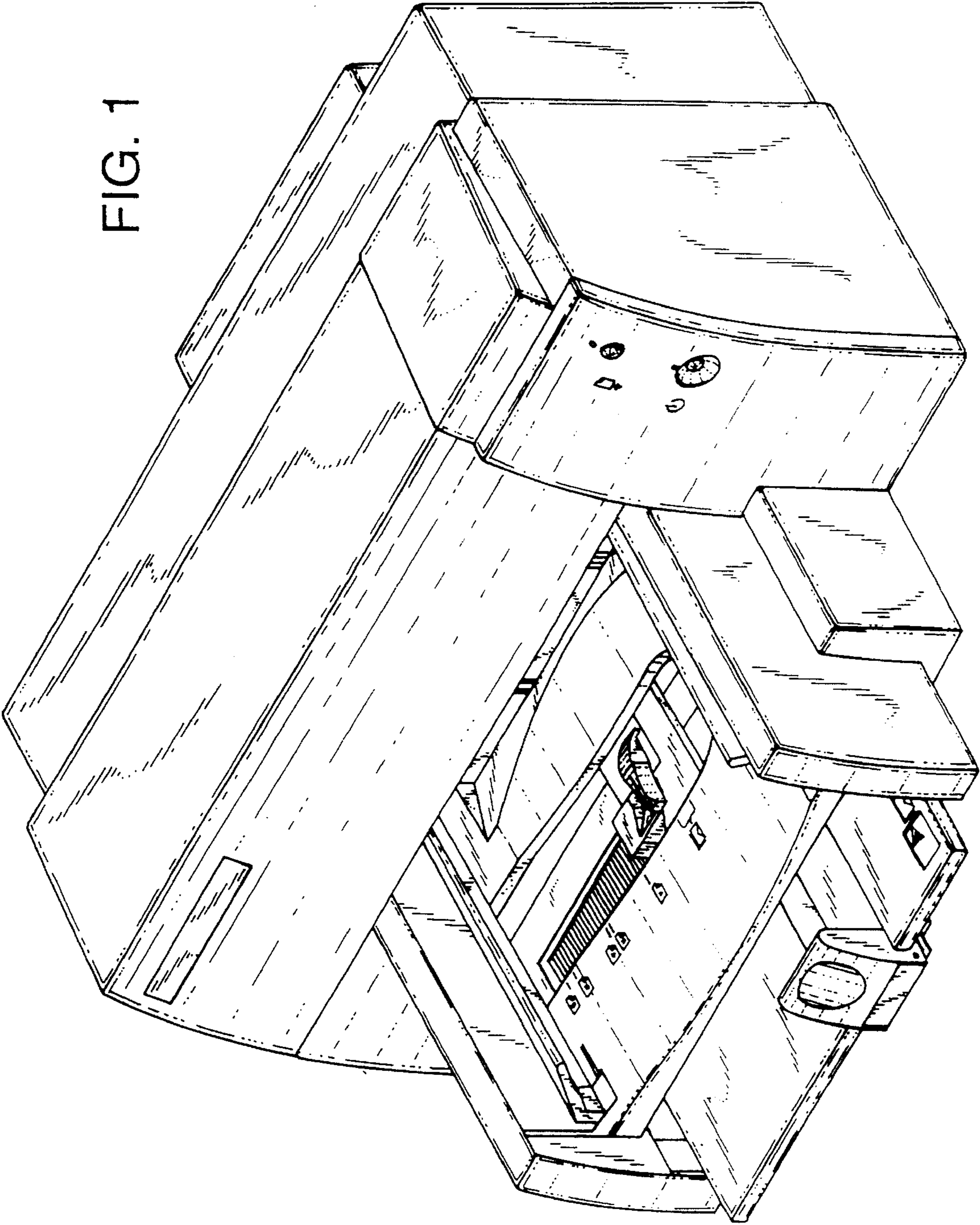
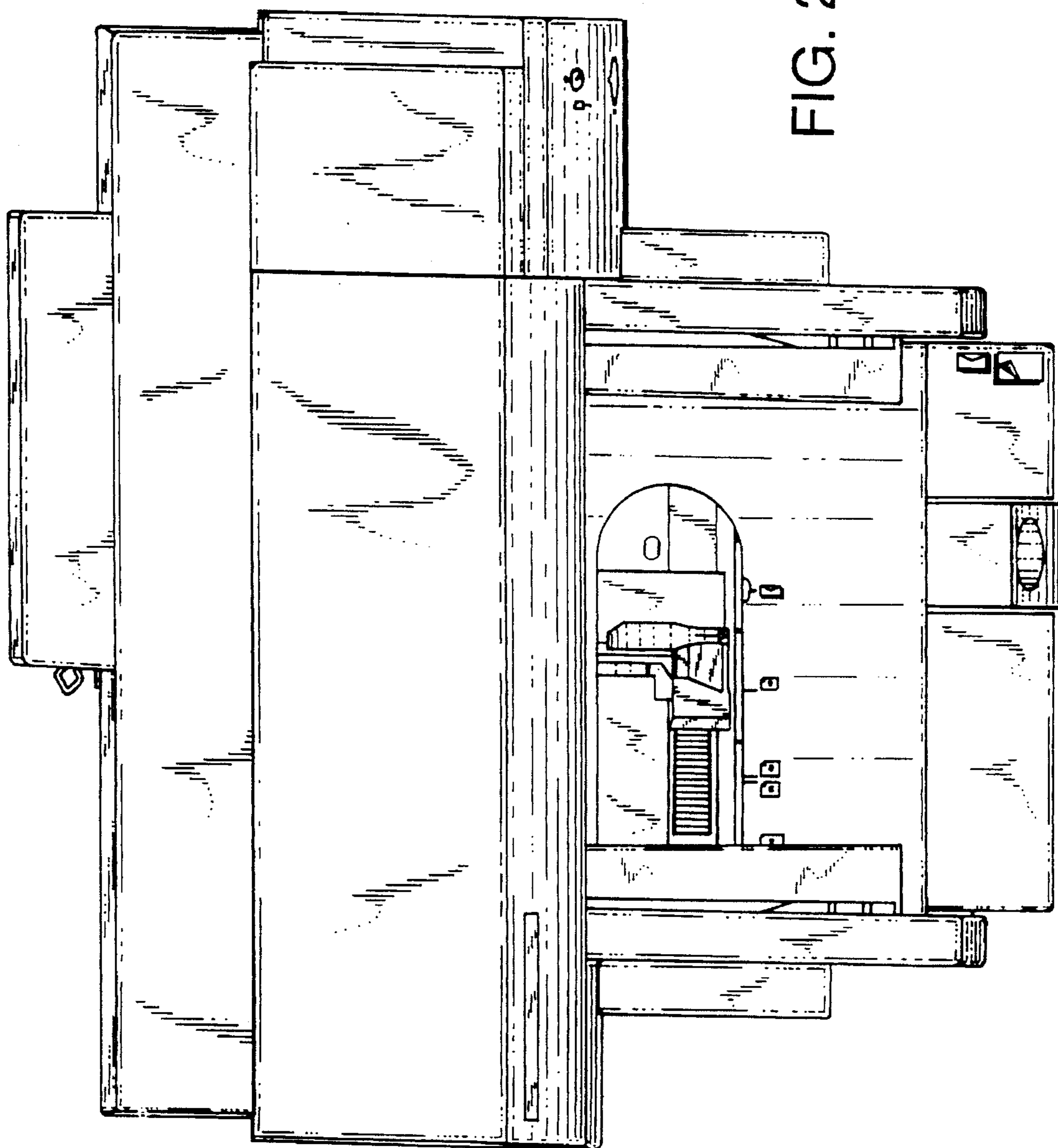


FIG. 1





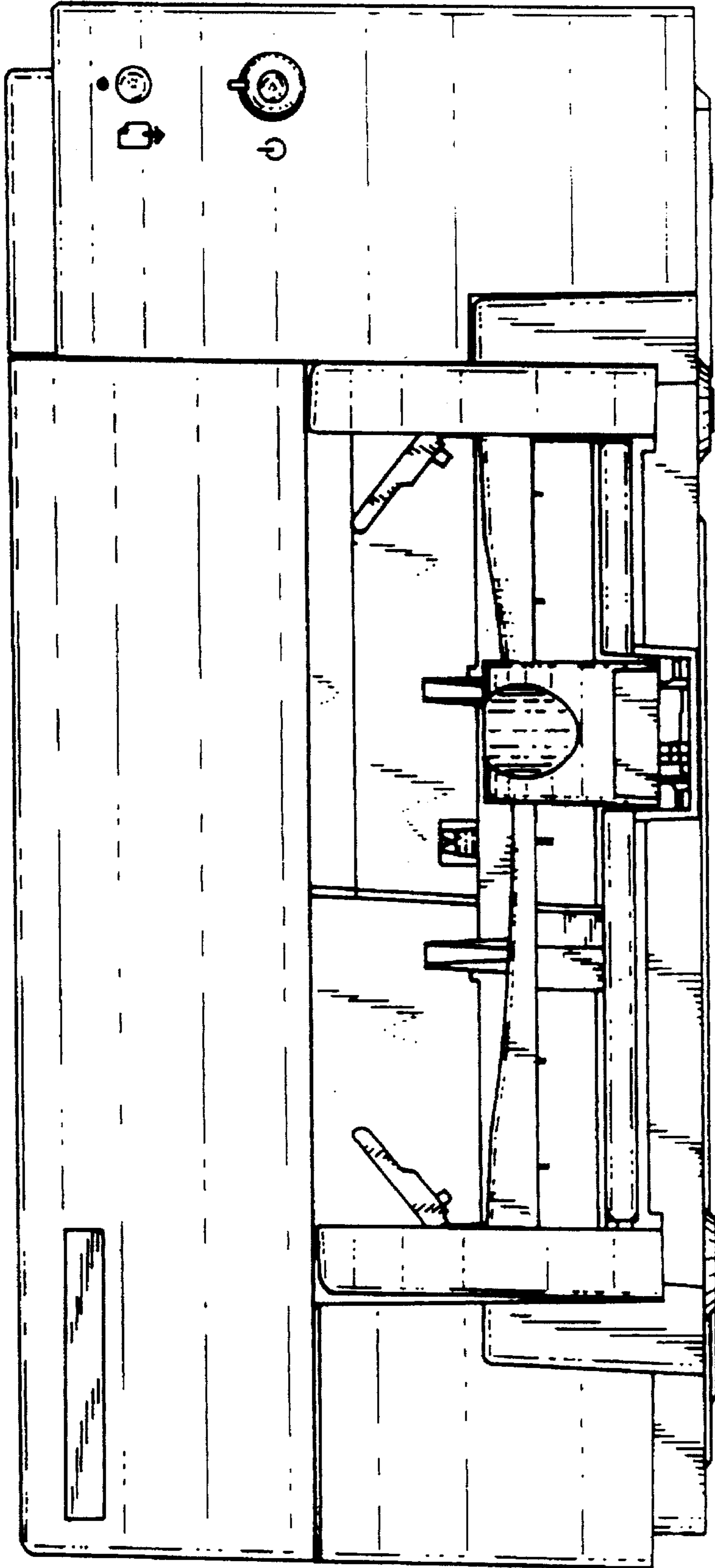
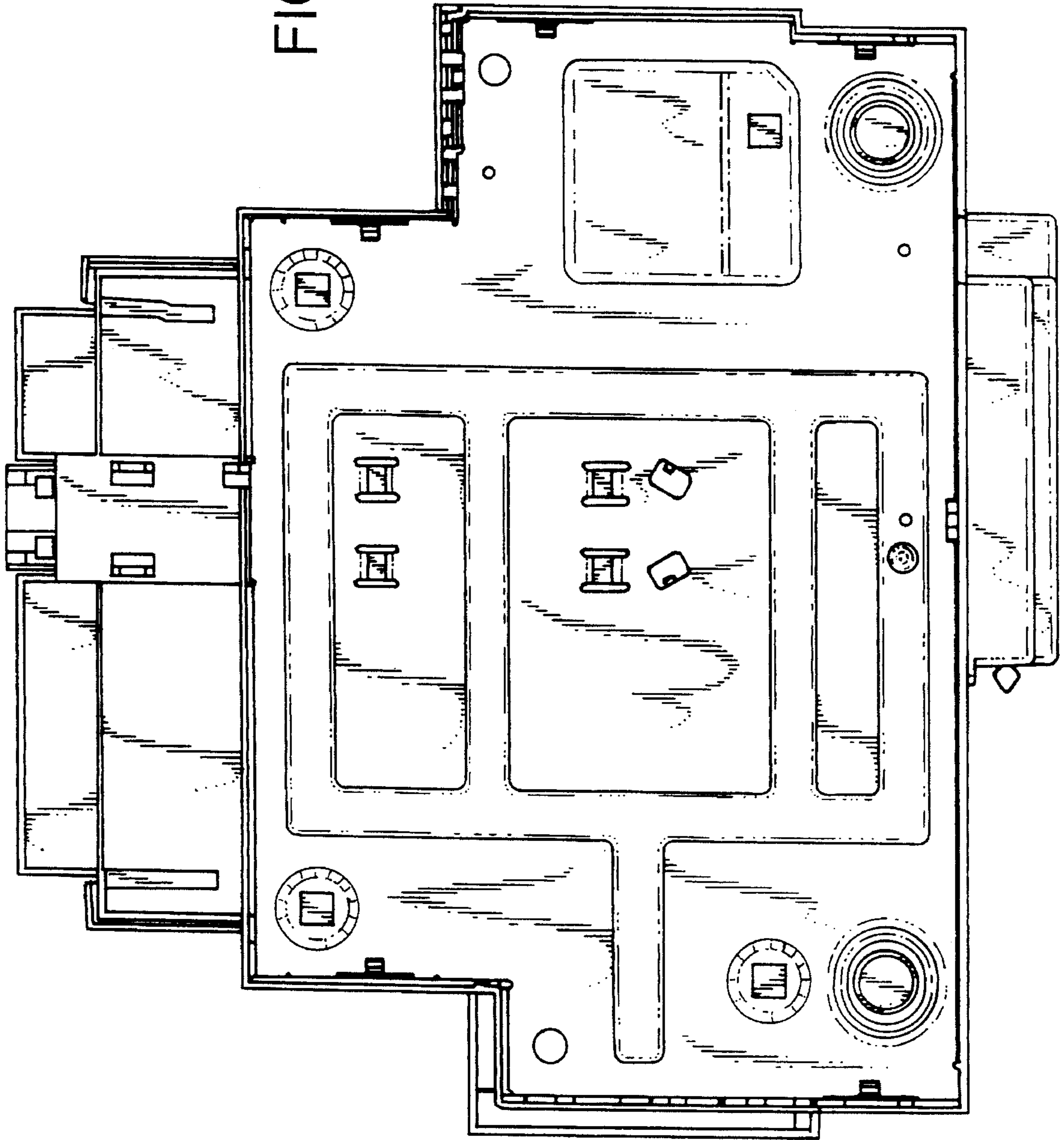


FIG. 3

FIG. 4



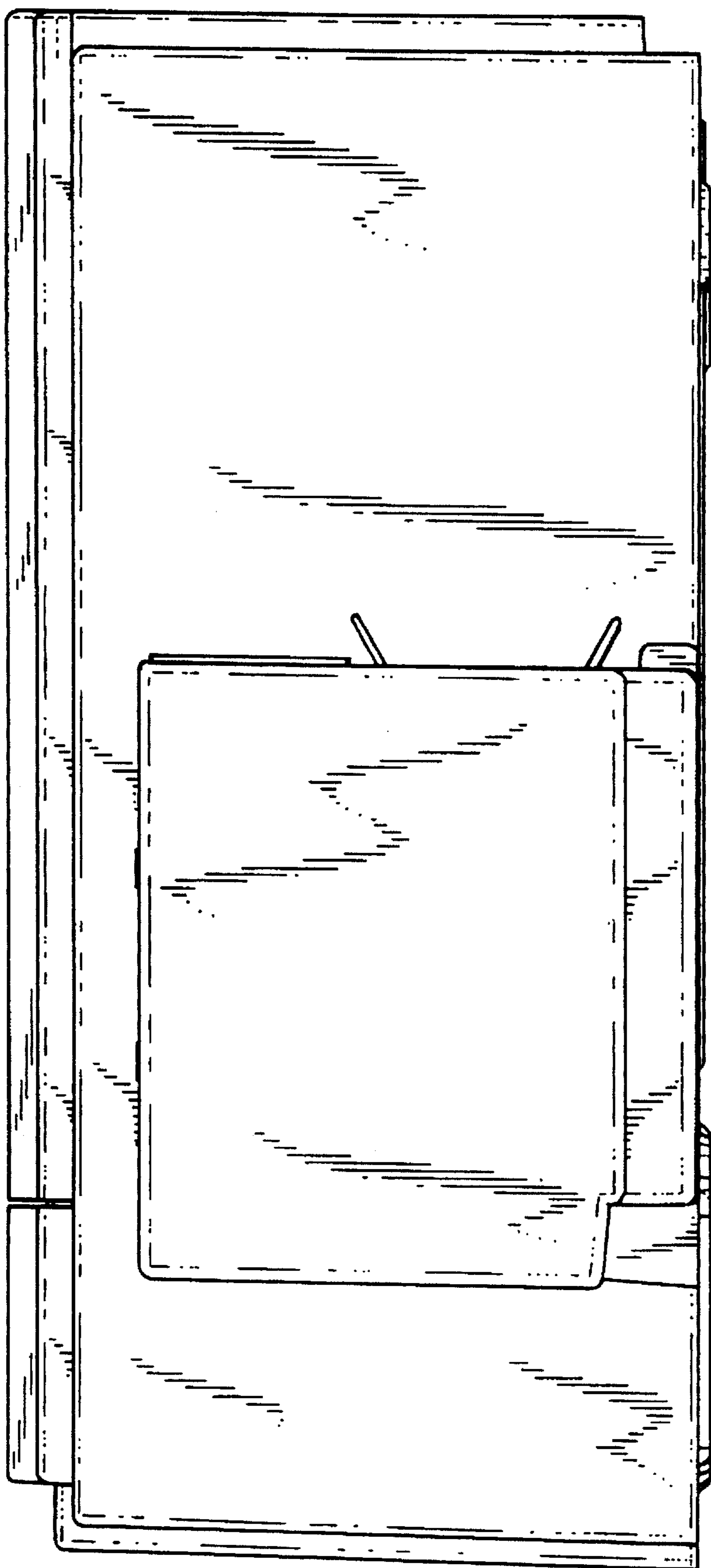


FIG. 5

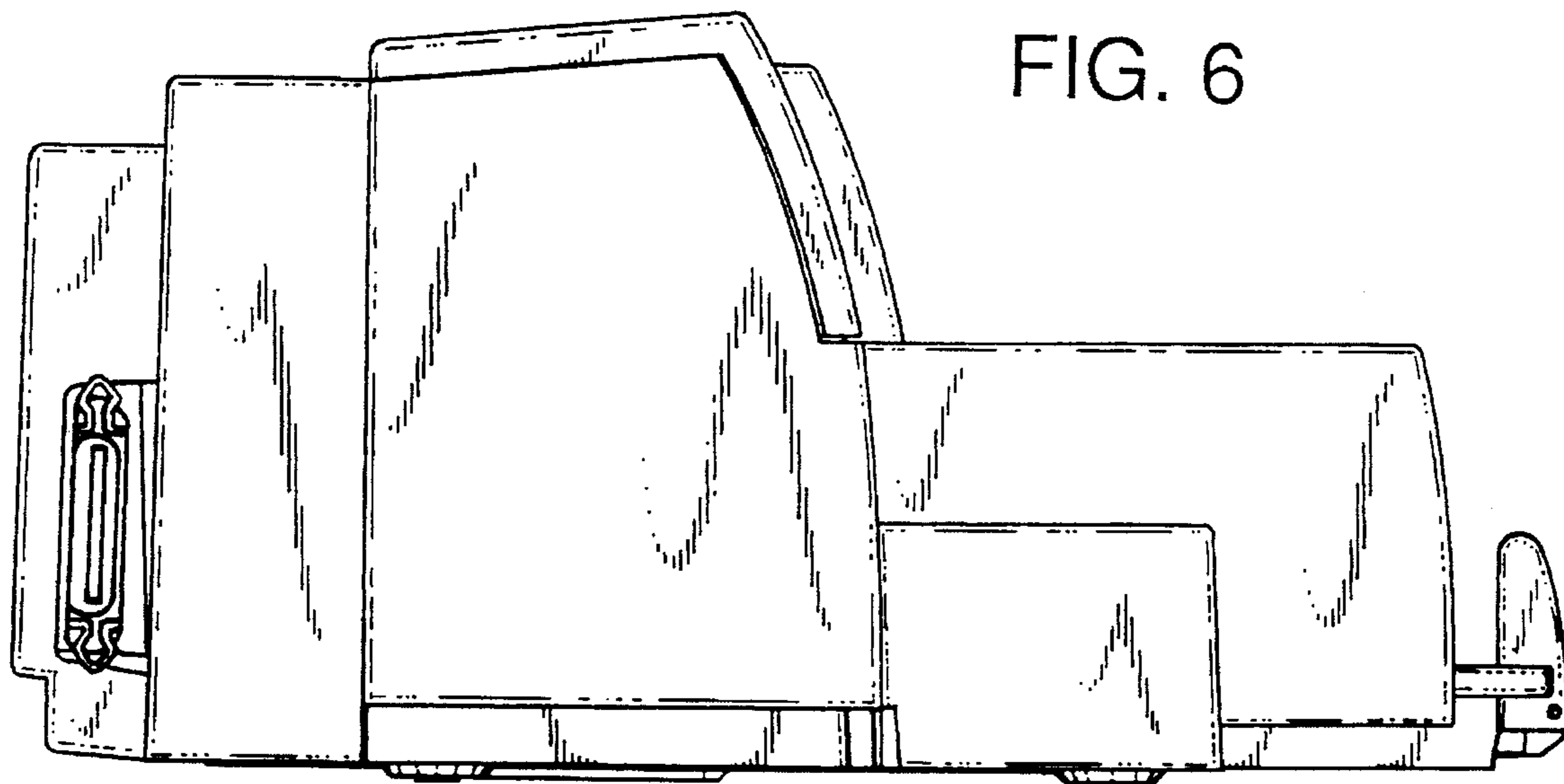


FIG. 7

