



US00D373379S

United States Patent [19]

[11] Patent Number: **Des. 373,379**

Sugimoto

[45] Date of Patent: ****Sep. 3, 1996**

[54] **PRINTER FOR ELECTRONIC COMPUTER**

[75] Inventor: **Isao Sugimoto**, Tokyo, Japan

[73] Assignee: **Citizen Watch Co., Ltd.**, Tokyo, Japan

[**] Term: **14 Years**

[21] Appl. No.: **28,746**

[22] Filed: **Sep. 21, 1994**

[52] U.S. Cl. **D18/50**

[58] Field of Search D18/50, 54-55;
D14/118; 400/690-694, 690.1-690.4, 613,
613.1-613.4

[56] **References Cited**

U.S. PATENT DOCUMENTS

D. 286,153	10/1986	Davis	D18/55
D. 301,483	6/1989	Yoshida	D18/54
D. 314,208	1/1991	Hidaka et al.	D18/54
D. 316,869	5/1991	Sugawara et al.	D18/54
D. 321,531	11/1991	Takeda et al.	D18/54
D. 321,713	11/1991	Matsuo et al.	D18/54
D. 331,420	12/1992	Etoh et al.	D18/55
D. 332,953	2/1993	Sturtzer	D18/54
D. 340,471	10/1993	Yamamoto	D18/50
D. 343,415	1/1994	Nakazato et al.	D18/55
D. 359,505	6/1995	Sugimoto	D18/55

OTHER PUBLICATIONS

JDL Japan Digital Laboratory brochure; AutoPlotter XP.
Best Jewelers Catalog; p. 44; Packard Bell Epson L-1000 24
Pin Letter Quality Printer.

Service Merchandise; p. 15; Epson T1000 Column Dot
Matrix Printer.

Japanese Design Gazette: No. 852965—Brother—Nov. 20,
1992.

Japanese Design Gazette: No. 867292—Canon—Apr. 26,
1993.

U S Official Gazette (Design Patents): No. D332112—
Canon—Dec. 29, 1992.

German Design Gazette: No. M 9108004.5—Tokyo Elec-
tric—Apr. 25, 1992.

Reseller News: Fargo Primera Color Printer—Aug. 23,
1993; Fargo Electronics, Incorporated Advertisement.

Observer:—Olidata OL400e Printer—Aug., 1993.

Primary Examiner—Cathy Anne MacCormac
Attorney, Agent, or Firm—Cushman Darby & Cushman,
L.L.P.

[57] **CLAIM**

The ornamental design for a printer for electronic computer,
as shown and described.

DESCRIPTION

FIG. 1 is a top, front and right side perspective view of a
printer for electronic computer showing my new design;
FIG. 2 is a front elevational view thereof;
FIG. 3 is a rear elevational view thereof;
FIG. 4 is a top plan view thereof;
FIG. 5 is a bottom plan view thereof;
FIG. 6 is a left side elevational view thereof;
FIG. 7 is a right side elevational view thereof; and,
FIG. 8 is a top, front and left side perspective view thereof.

1 Claim, 4 Drawing Sheets

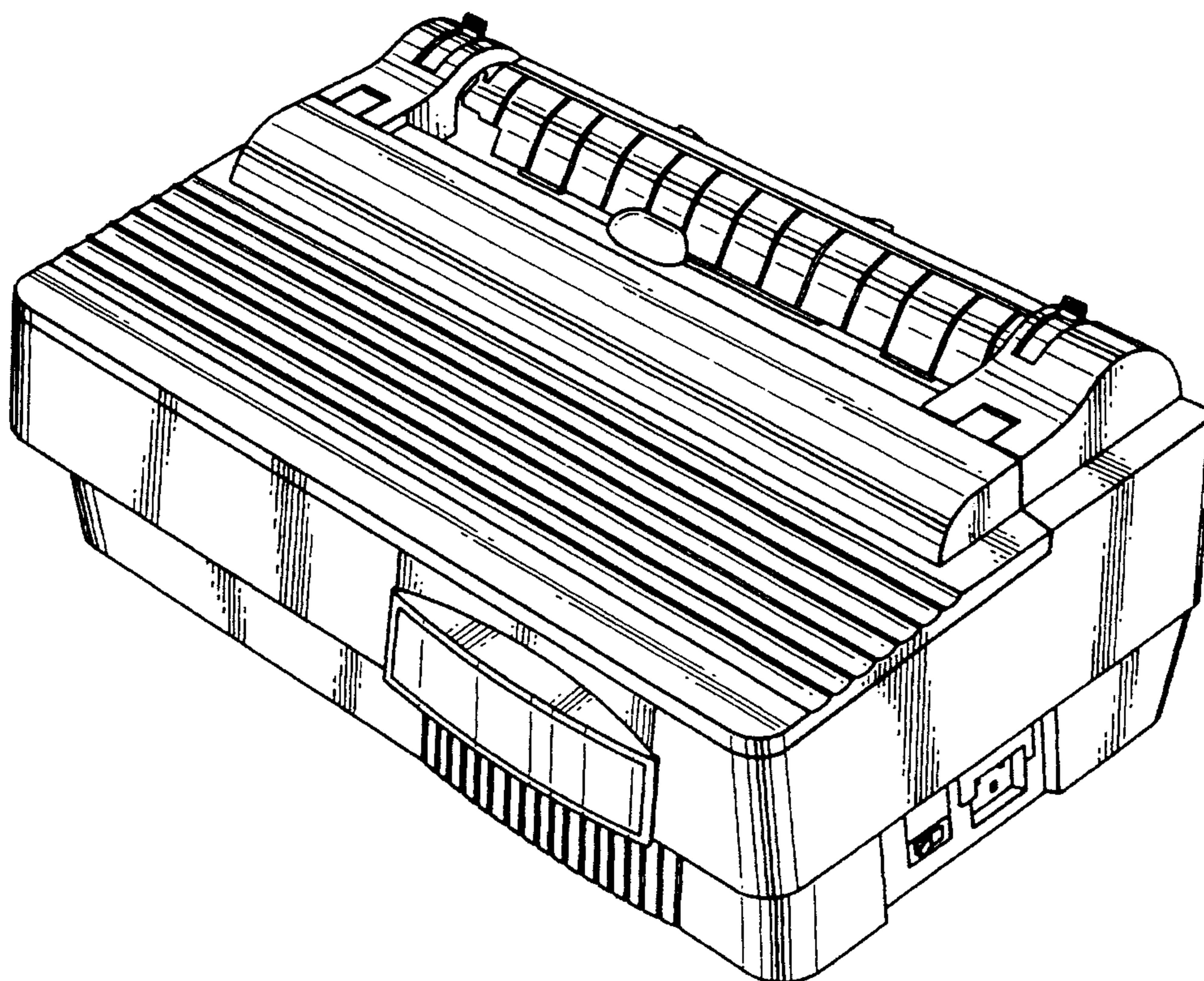


FIG. 1

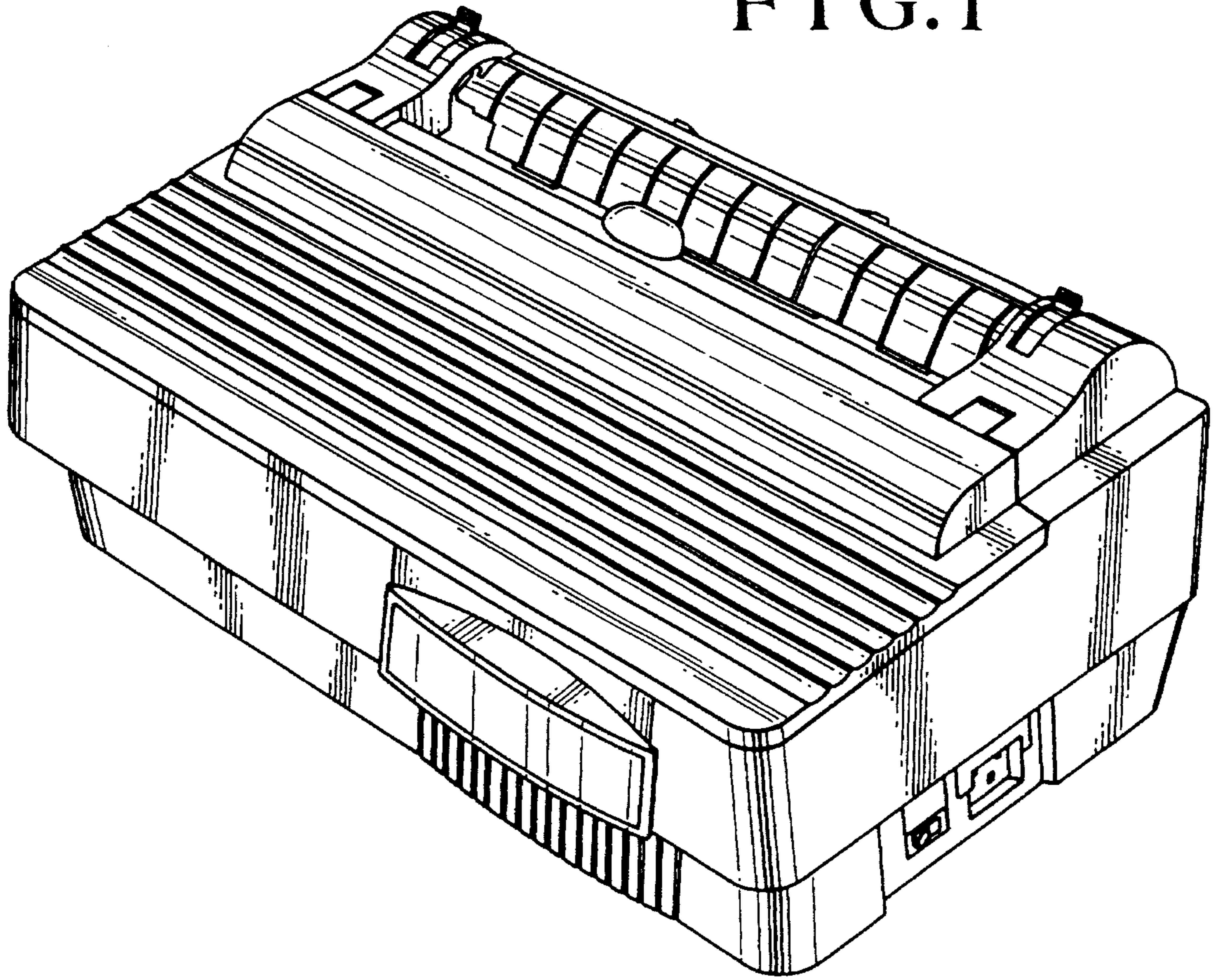


FIG. 2

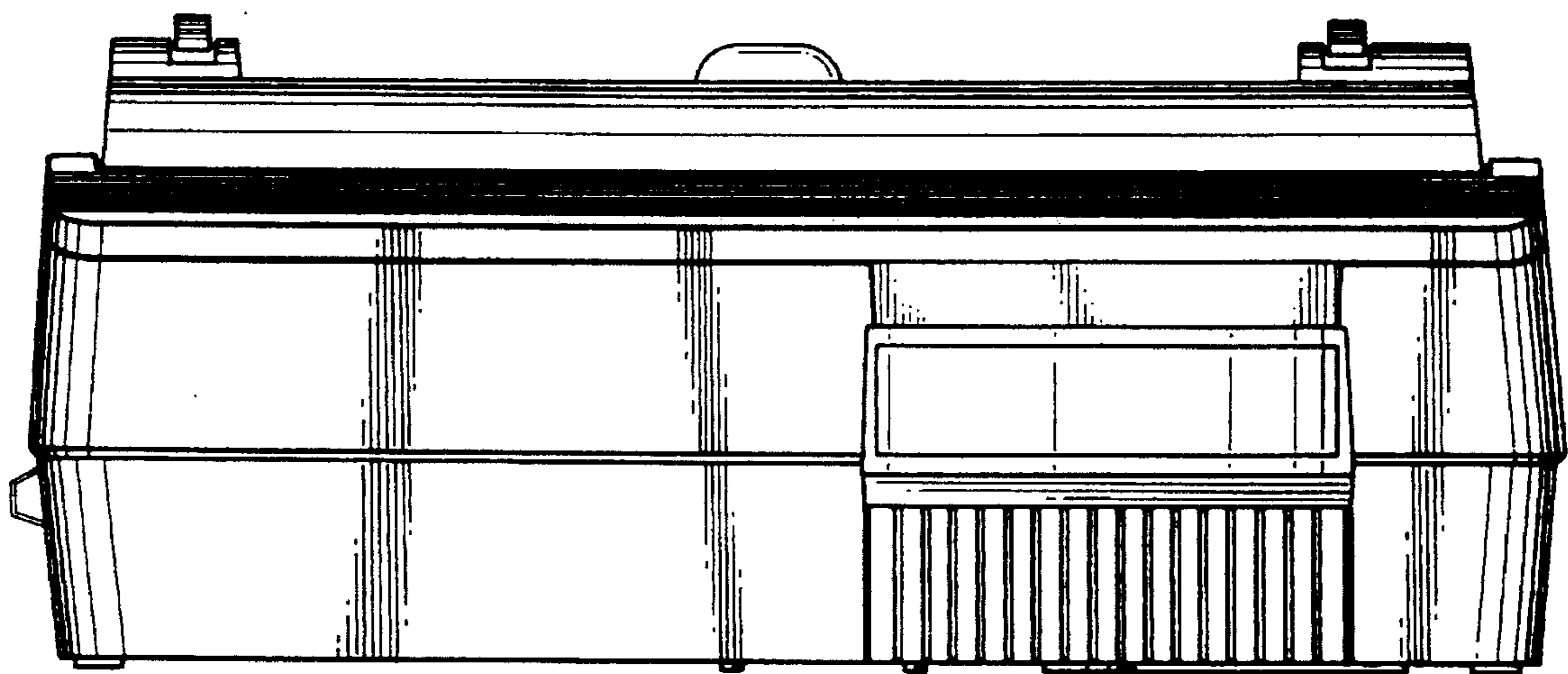


FIG.3

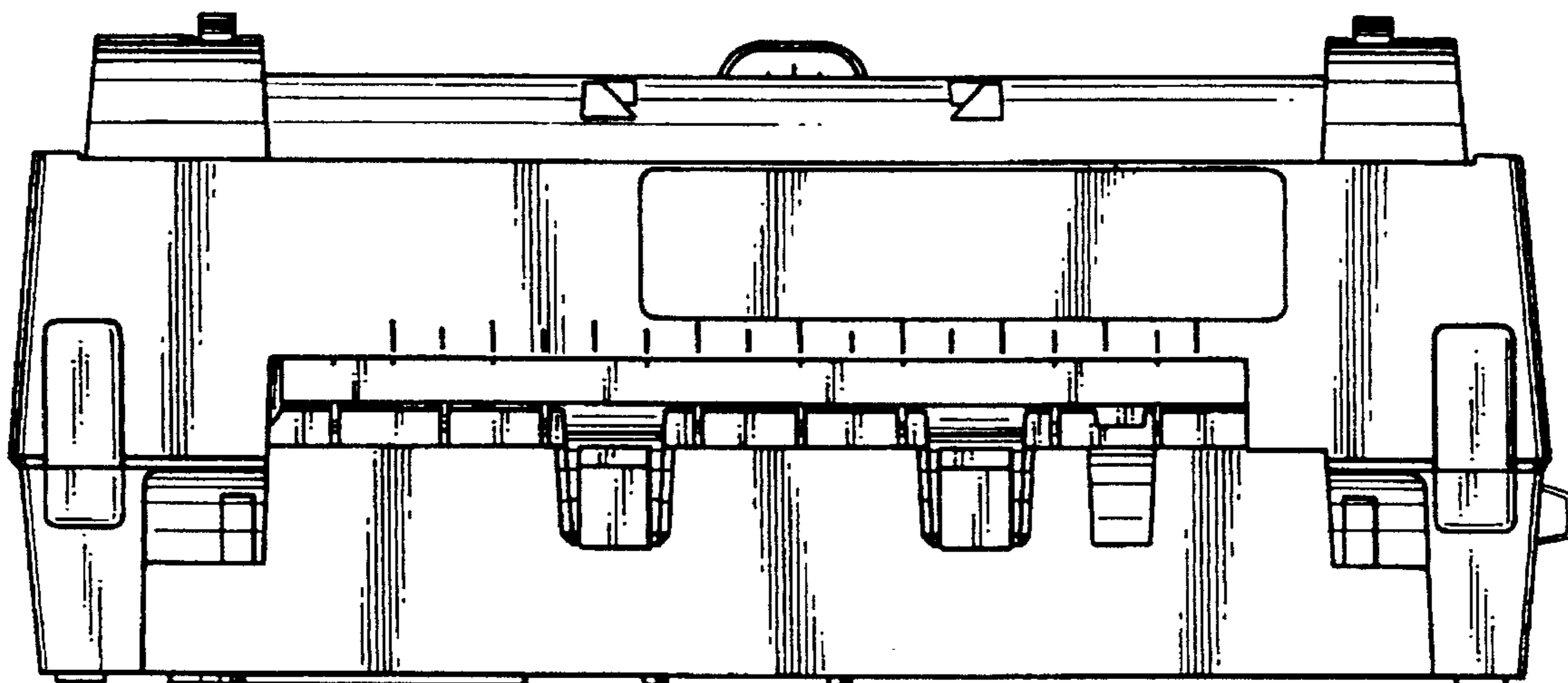


FIG.4

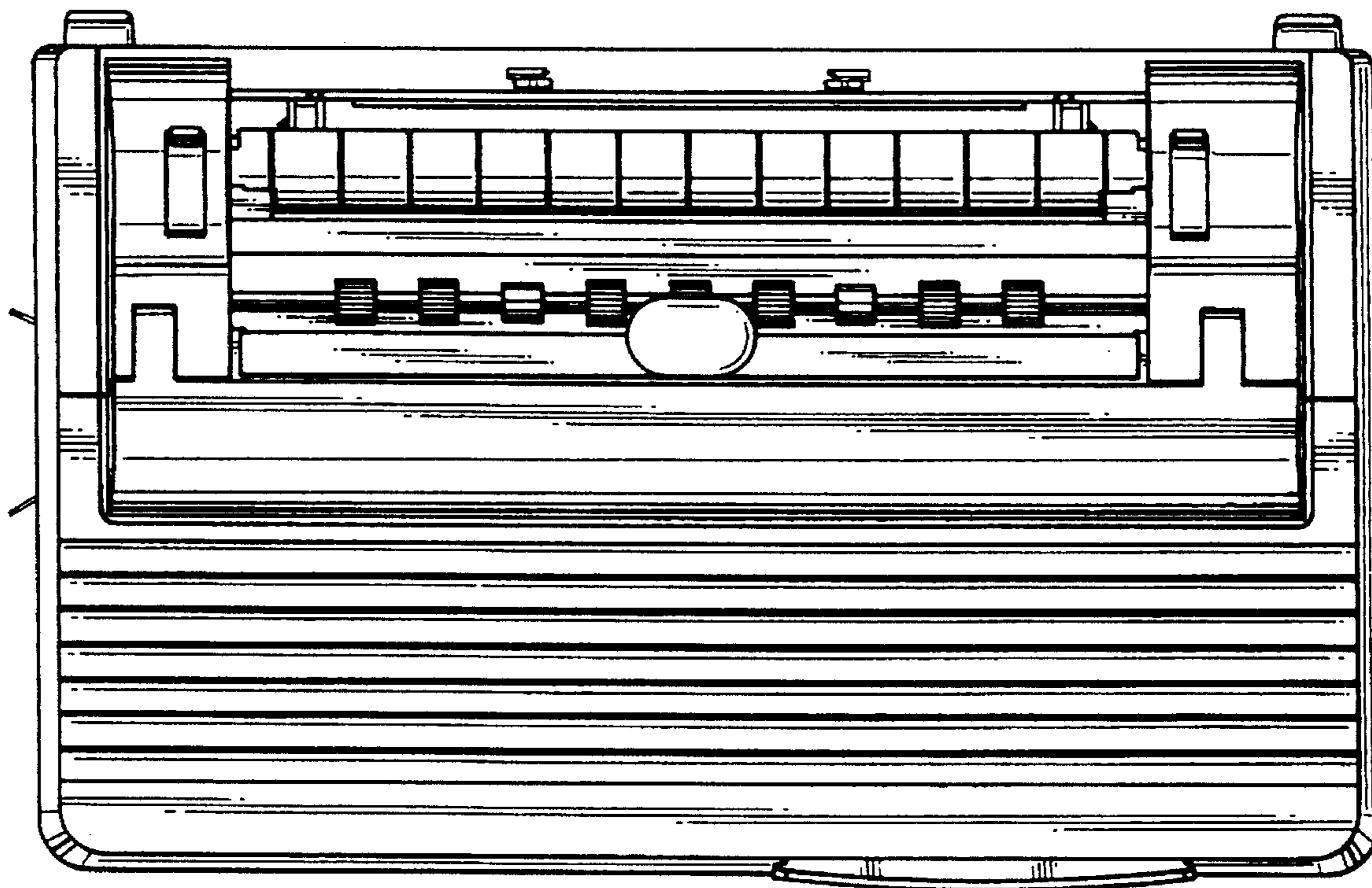


FIG. 5

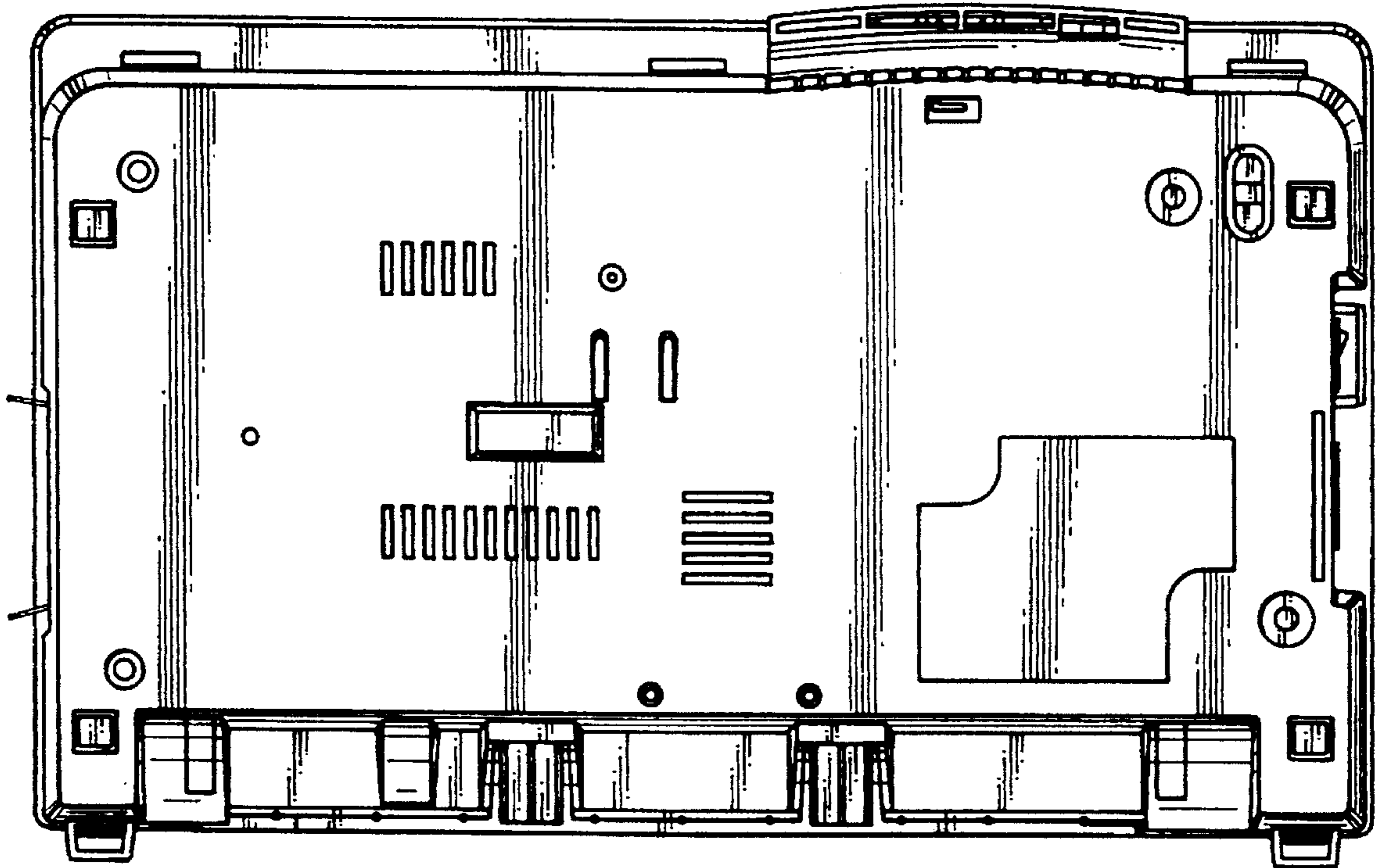


FIG. 6

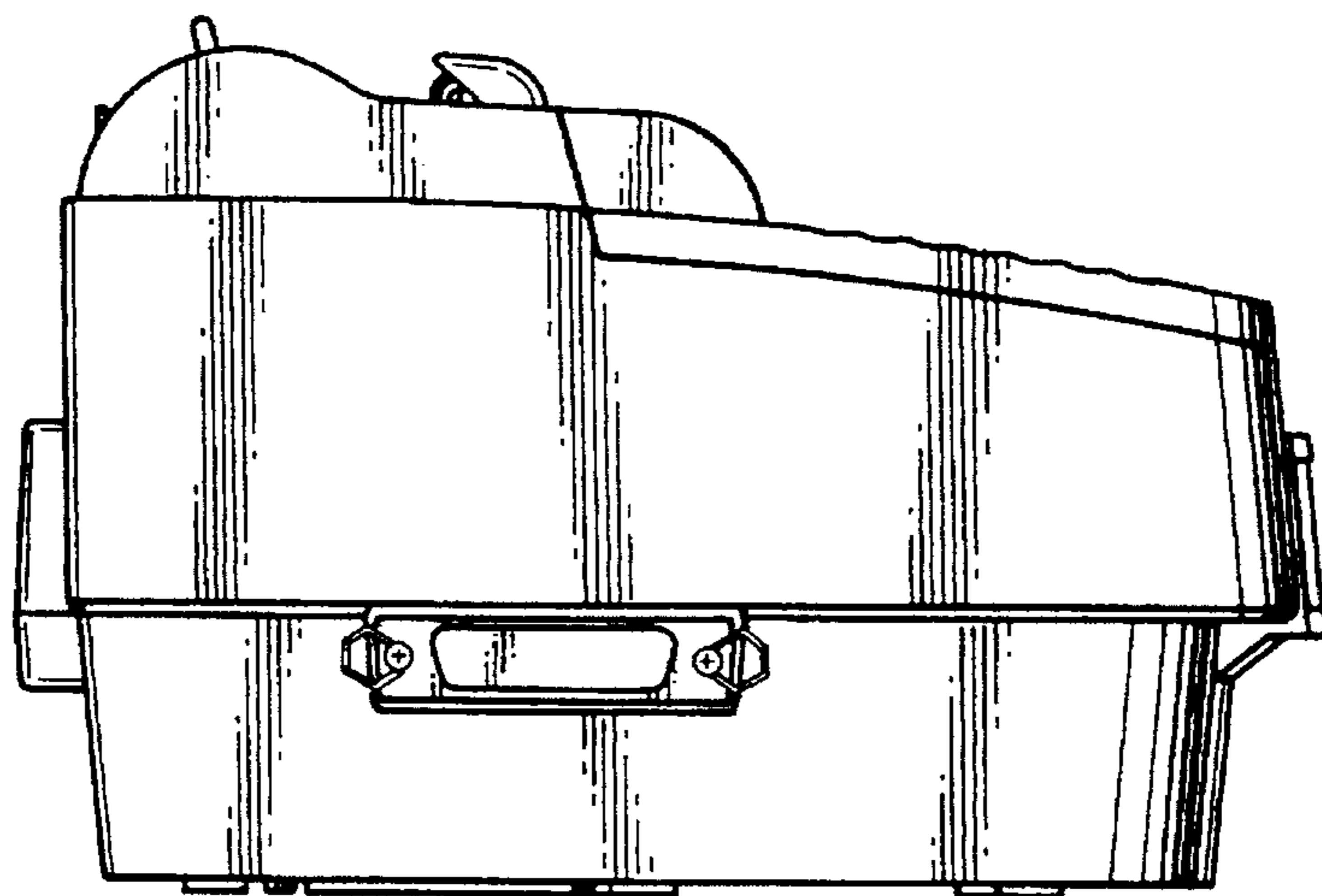


FIG. 7

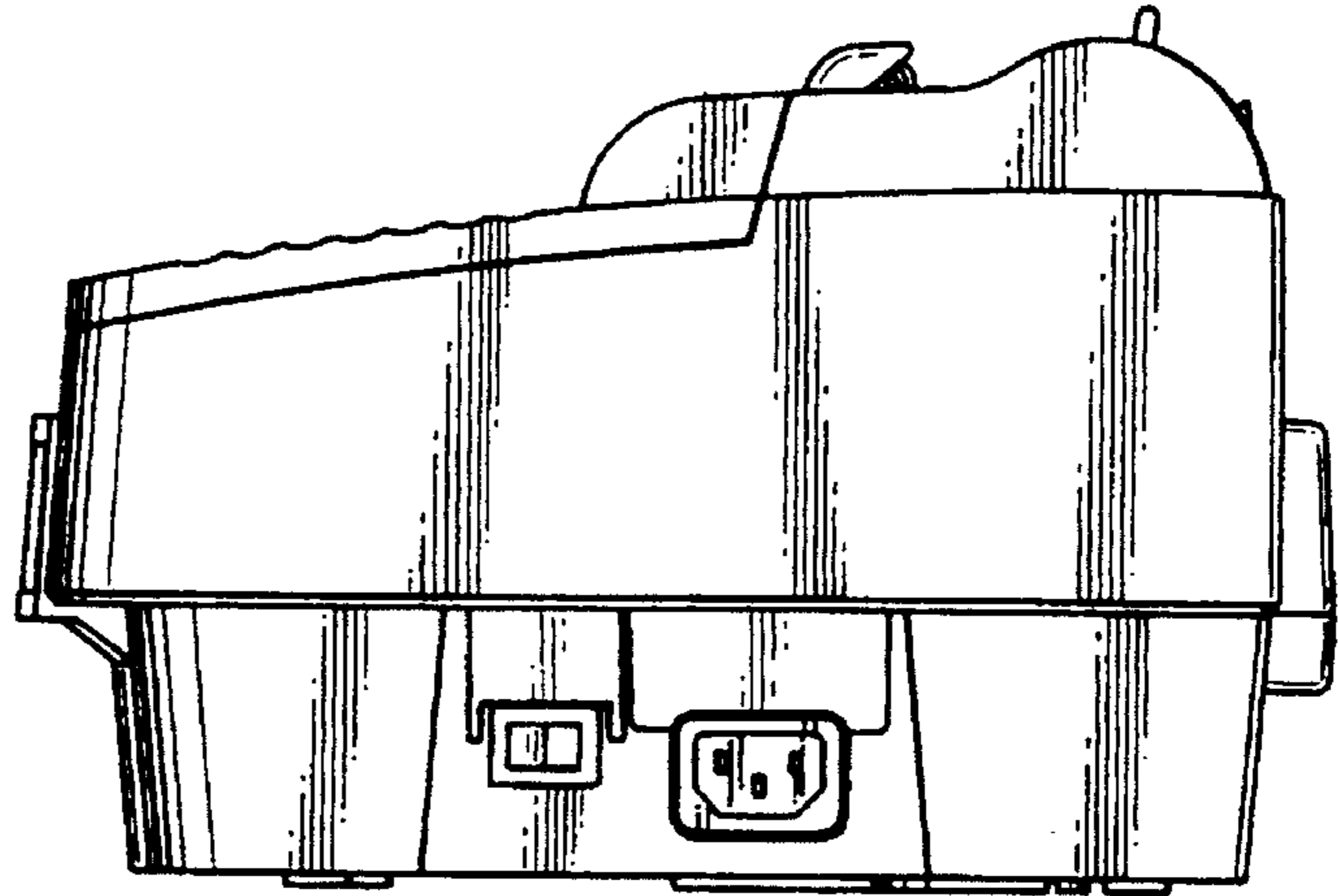


FIG. 8

