



US00D373378S

United States Patent [19]

Brown et al.

[11] Patent Number: **Des. 373,378**

[45] Date of Patent: ****Sep. 3, 1996**

[54] **COLOR INKJET PRINTER**

[75] Inventors: **Stephen C. Brown**, Vancouver; **Donald R. Bloyer**, Brush Prairie; **Stephen D. Dorow**, Vancouver; **Sandra Y. Okazaki**, Redmond; **Larry A. Jackson**; **Richard E. Berriman**, both of Vancouver; **Donald R. McClelland**, Brush Prairie, all of Wash.; **David M. Thorpe**; **Jan Hippen**, both of Portland, Oreg.; **John A. Christianson**; **Richard A. Kelley**, both of Vancouver, Wash.; **Daniel R. Dwyer**, Washougal, Wash.; **Steve O. Rasmussen**, Vancouver, Wash.; **Larry G. Neubauer**, Vancouver, Wash.; **Henry Y. Chin**, Portland, Oreg.

[73] Assignee: **Hewlett-Packard Company**, Palo Alto, Calif.

[**] Term: **14 Years**

[21] Appl. No.: **35,557**

[22] Filed: **Mar. 2, 1995**

[52] U.S. Cl. **D18/55**

[58] Field of Search D18/50, 54-55, D18/46-49; 400/691-694, 613.1-613.4, 690.1-690.4, 613; 271/2, 9.09, 9.11, 9.13, 145, 162, 164

[56] **References Cited**

U.S. PATENT DOCUMENTS

- D. 232,195 7/1974 Conway et al. D18/55
- D. 317,173 5/1991 Kojima et al. D18/55
- D. 322,451 12/1991 McClelland et al. D18/55
- D. 335,894 5/1993 Nishikaze et al. D18/55

- D. 343,637 1/1994 Umino et al. D18/55
- D. 348,899 7/1994 Masujima et al. D18/55
- D. 356,596 3/1995 Dubson et al. D18/55
- D. 358,603 5/1995 Dodge et al. D18/55
- 4,744,681 5/1988 Sheldon D18/55
- 4,958,823 9/1990 Iwaki et al. 271/164
- 5,454,553 10/1995 Firl et al. 271/145

FOREIGN PATENT DOCUMENTS

- 165242 7/1988 Japan 271/164
- 35567 2/1989 Japan D18/49

OTHER PUBLICATIONS

Tektronix brochure; Phaser™ 11sd Color Printer. Epson Laser Printer LP-1500S brochure; Dec. 3, 1993. Mitsubishi brochure for S 340-10 Thermal-line Colour Printer; Nov. 1989. Compaq Pagemarq 20 Laser printer brochure. *Primary Examiner*—Cathy Anne MacCormac *Attorney, Agent, or Firm*—Flory L. Martin

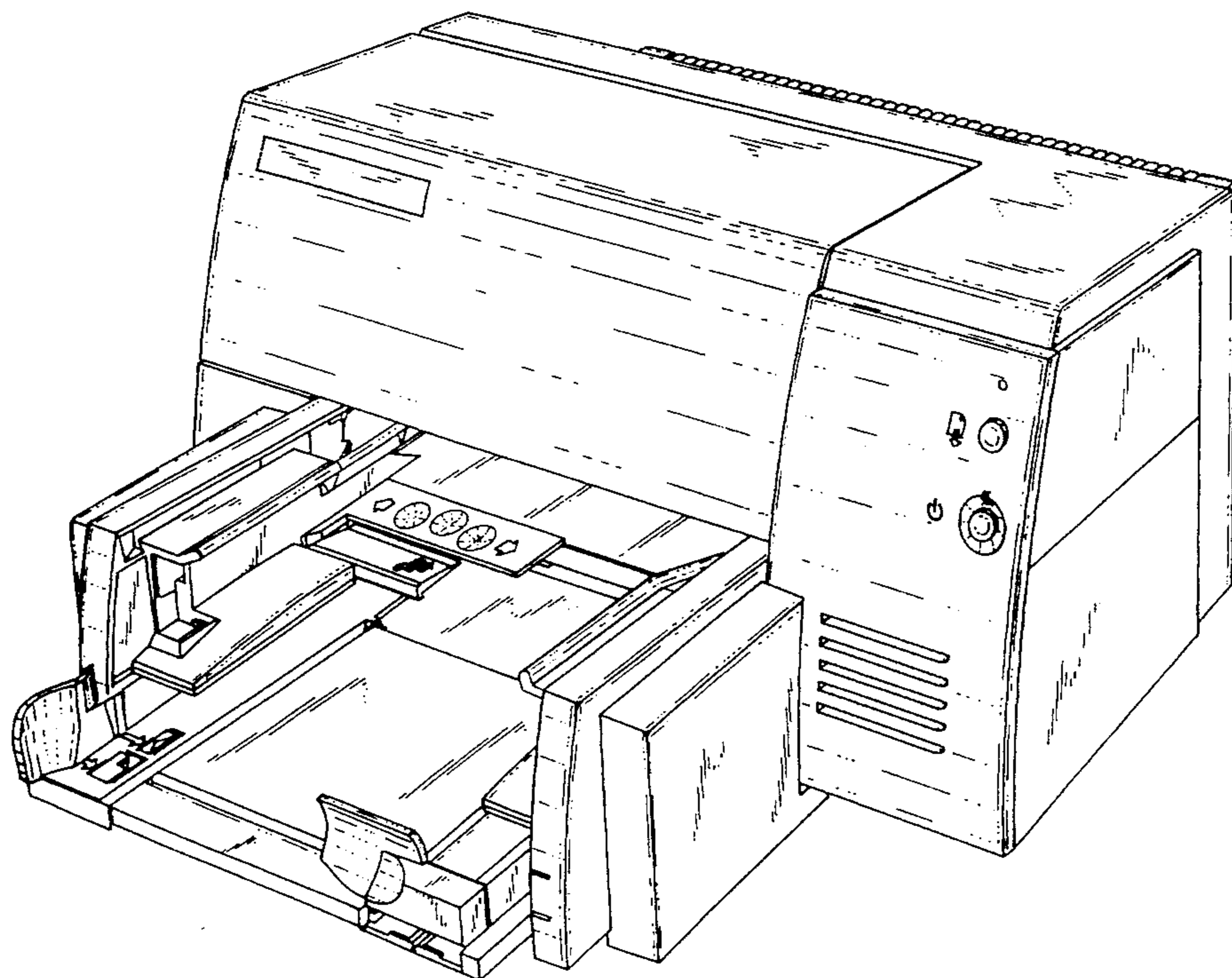
[57] **CLAIM**

The ornamental design for a color inkjet printer, as shown and described.

DESCRIPTION

FIG. 1 is a perspective view of an color inkjet printer in accordance with the present invention; FIG. 2 is a top plan view thereof; FIG. 3 is a front elevational view thereof; FIG. 4 is a bottom plan view thereof; FIG. 5 is a rear elevational view thereof; FIG. 6 is a right side elevational view thereof; and, FIG. 7 is a left side elevational view thereof.

1 Claim, 6 Drawing Sheets



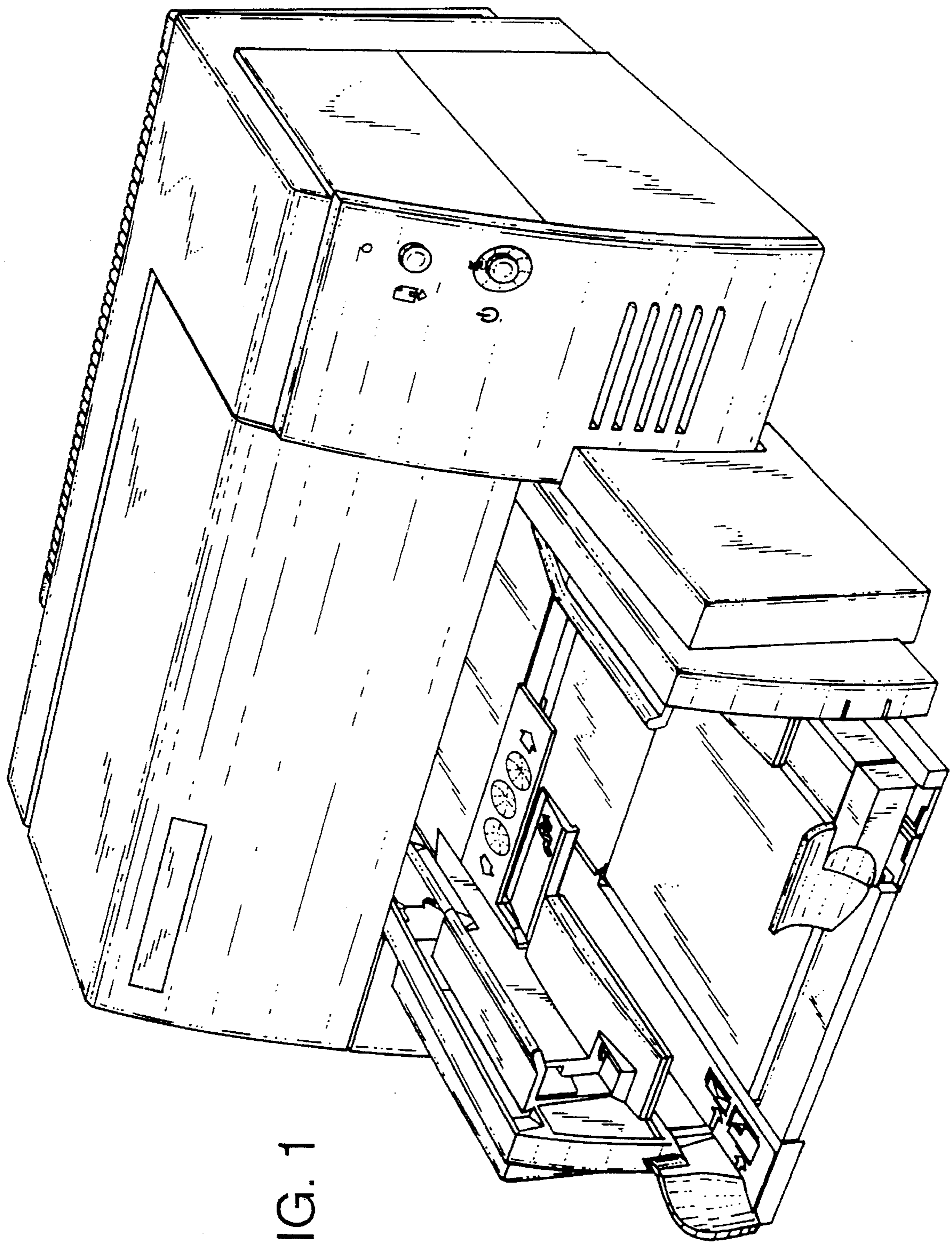


FIG. 1

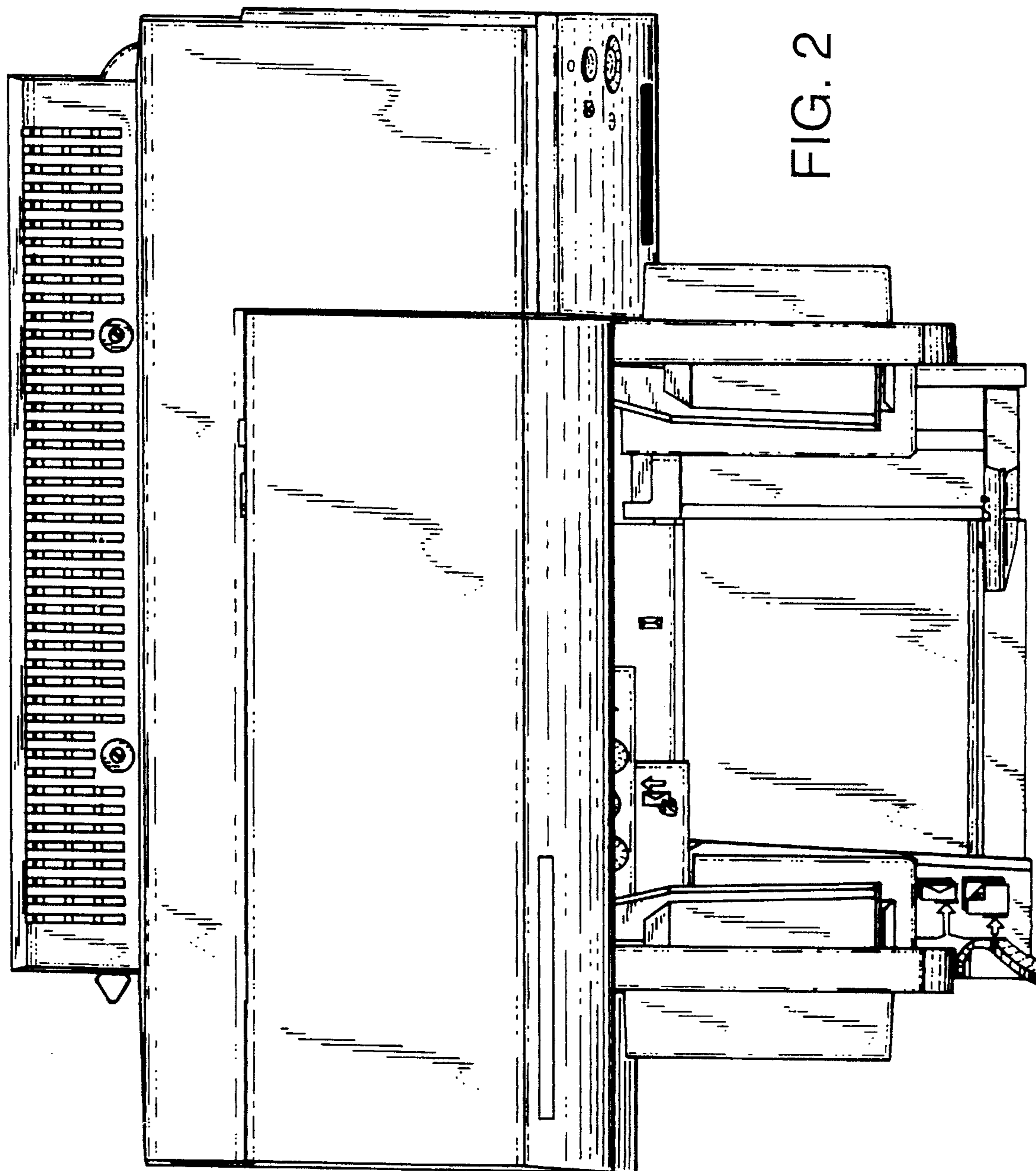


FIG. 2

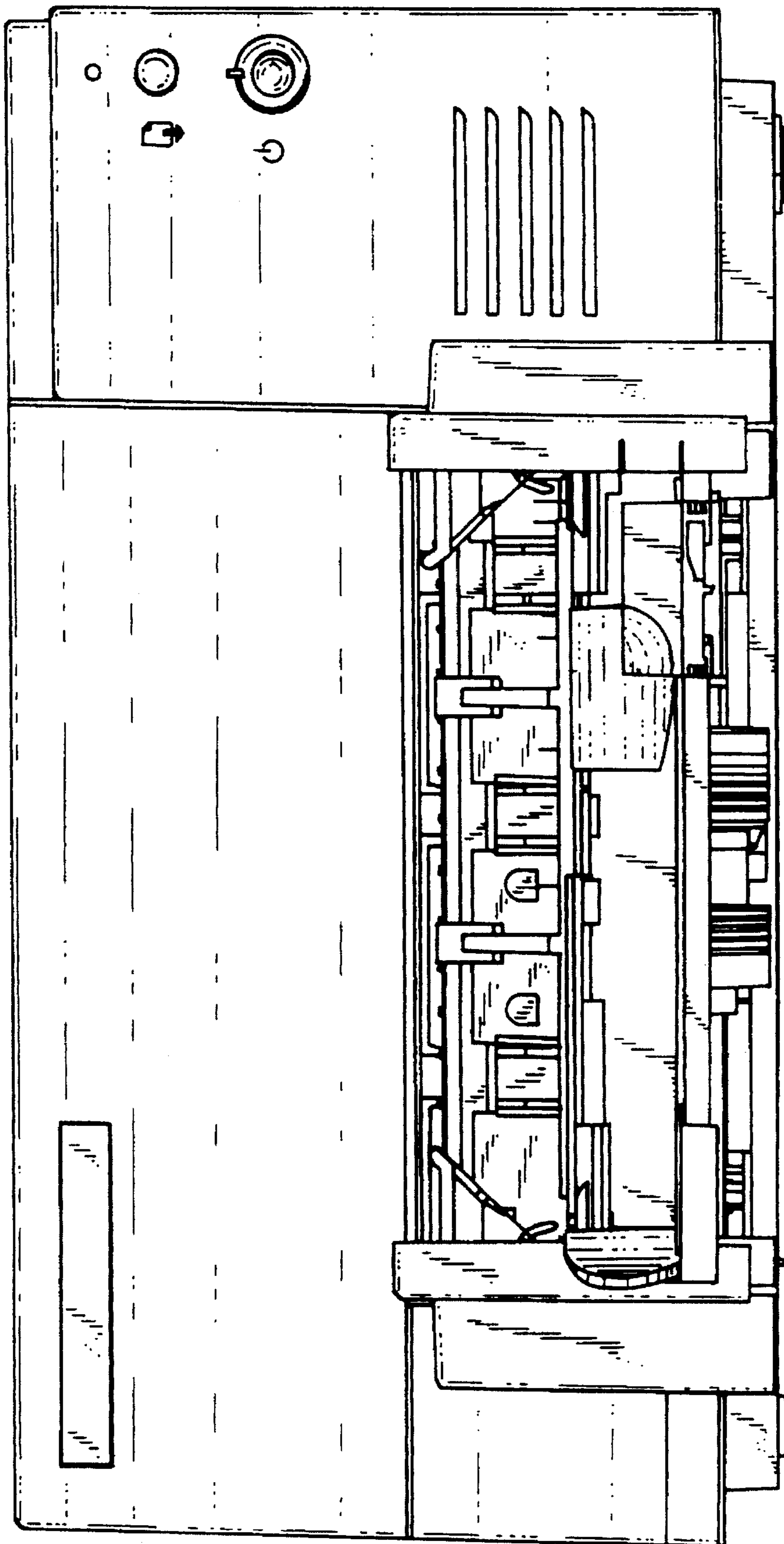
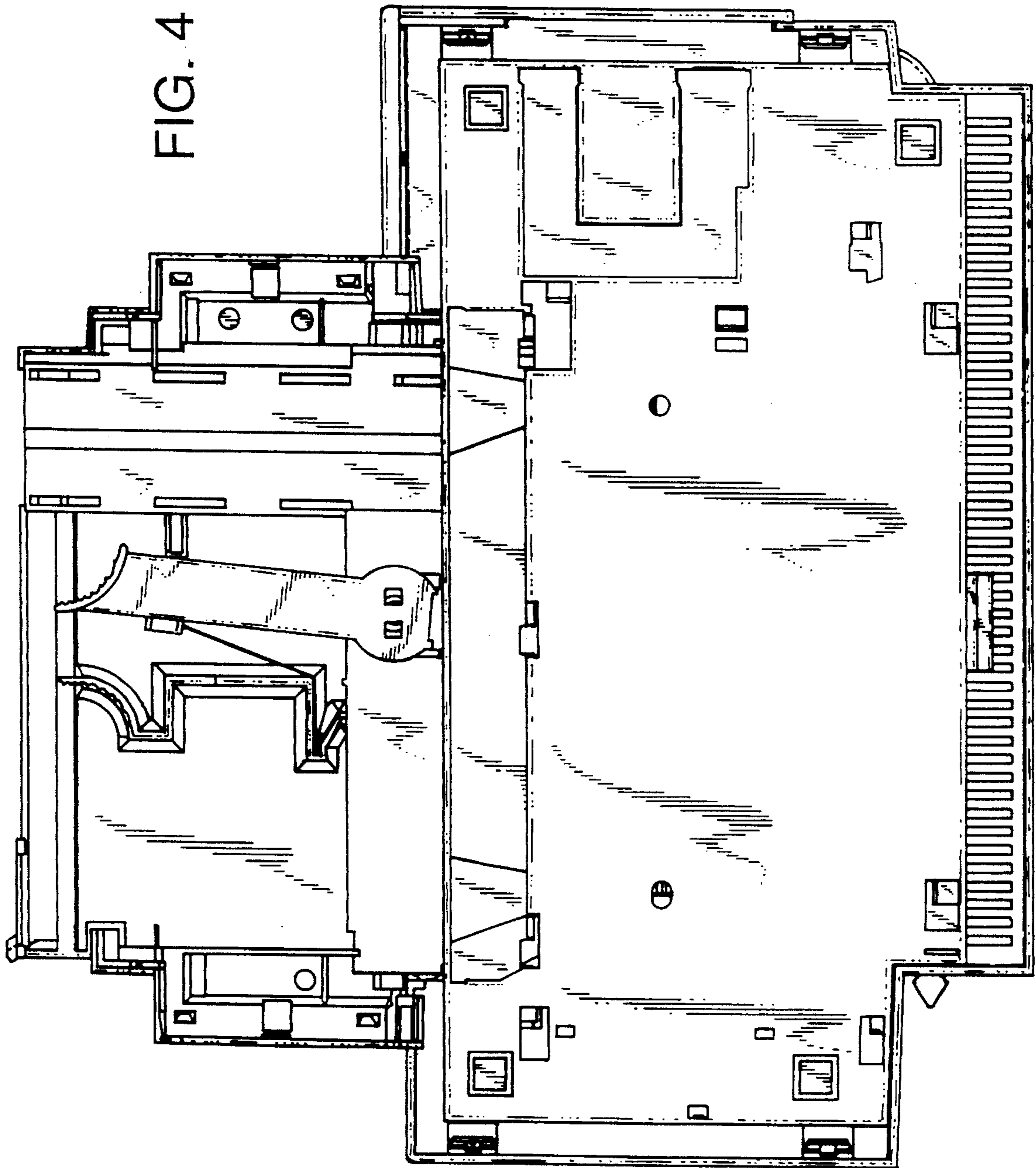


FIG. 3

FIG. 4



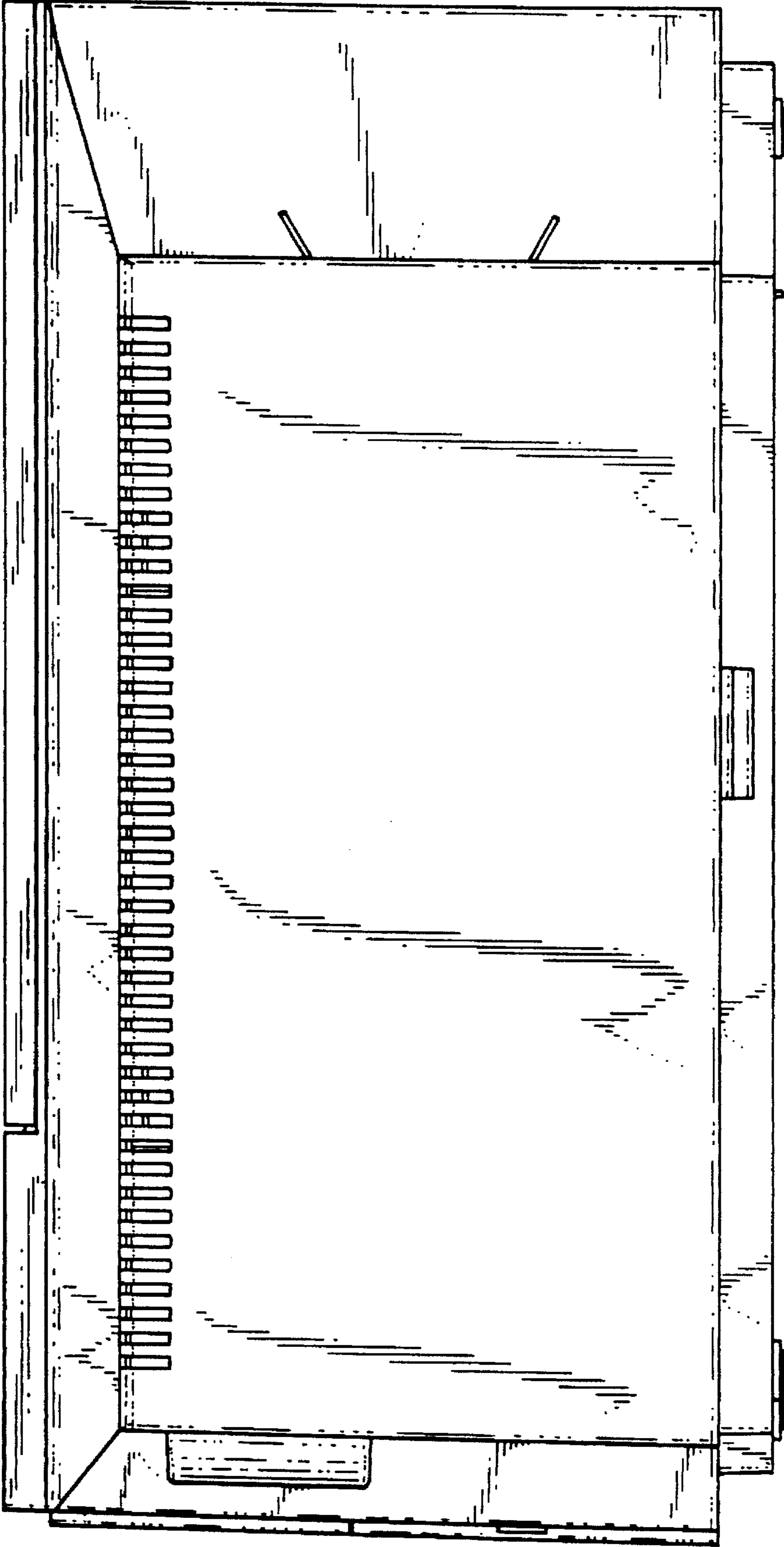


FIG. 5

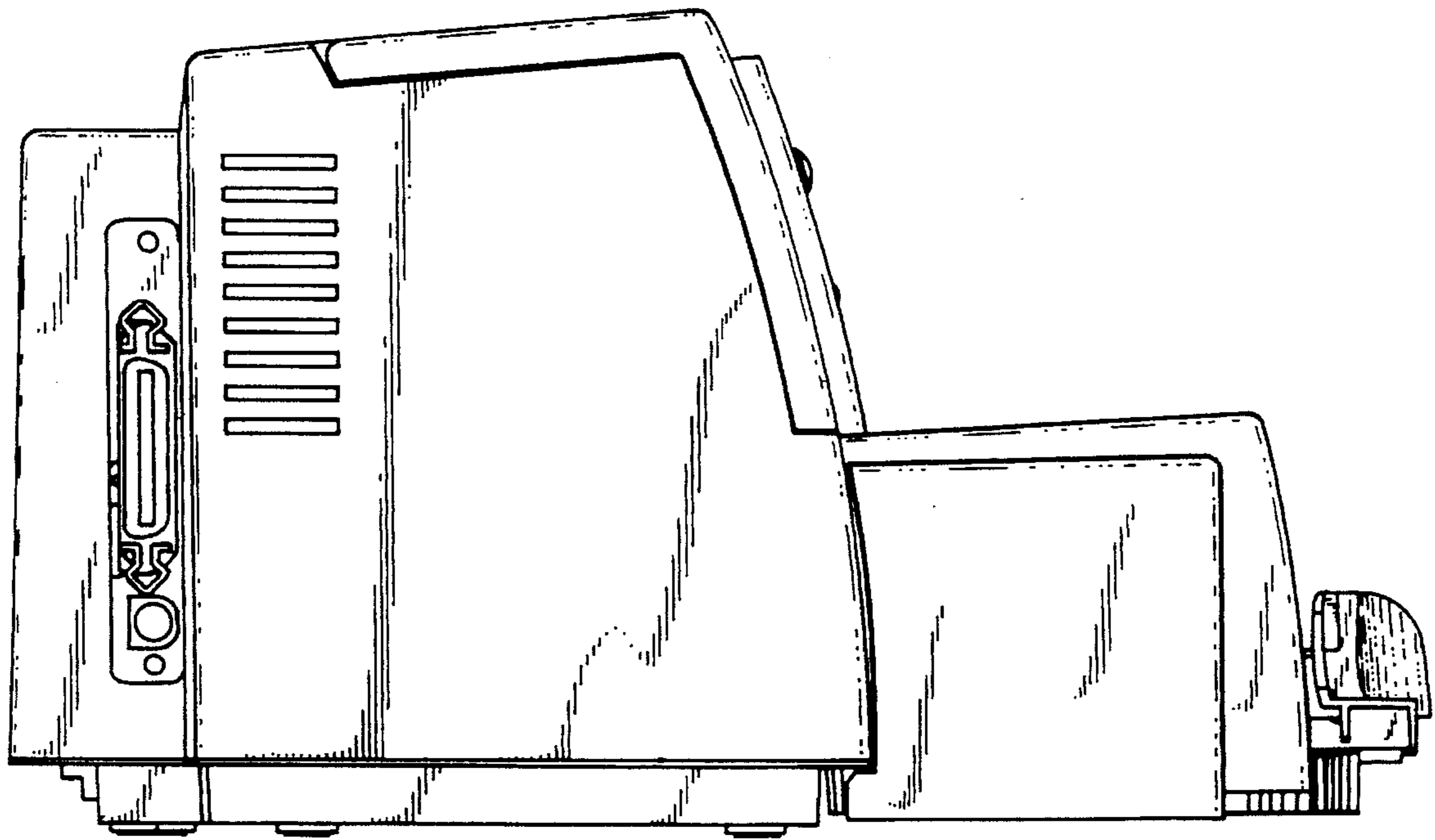


FIG. 6

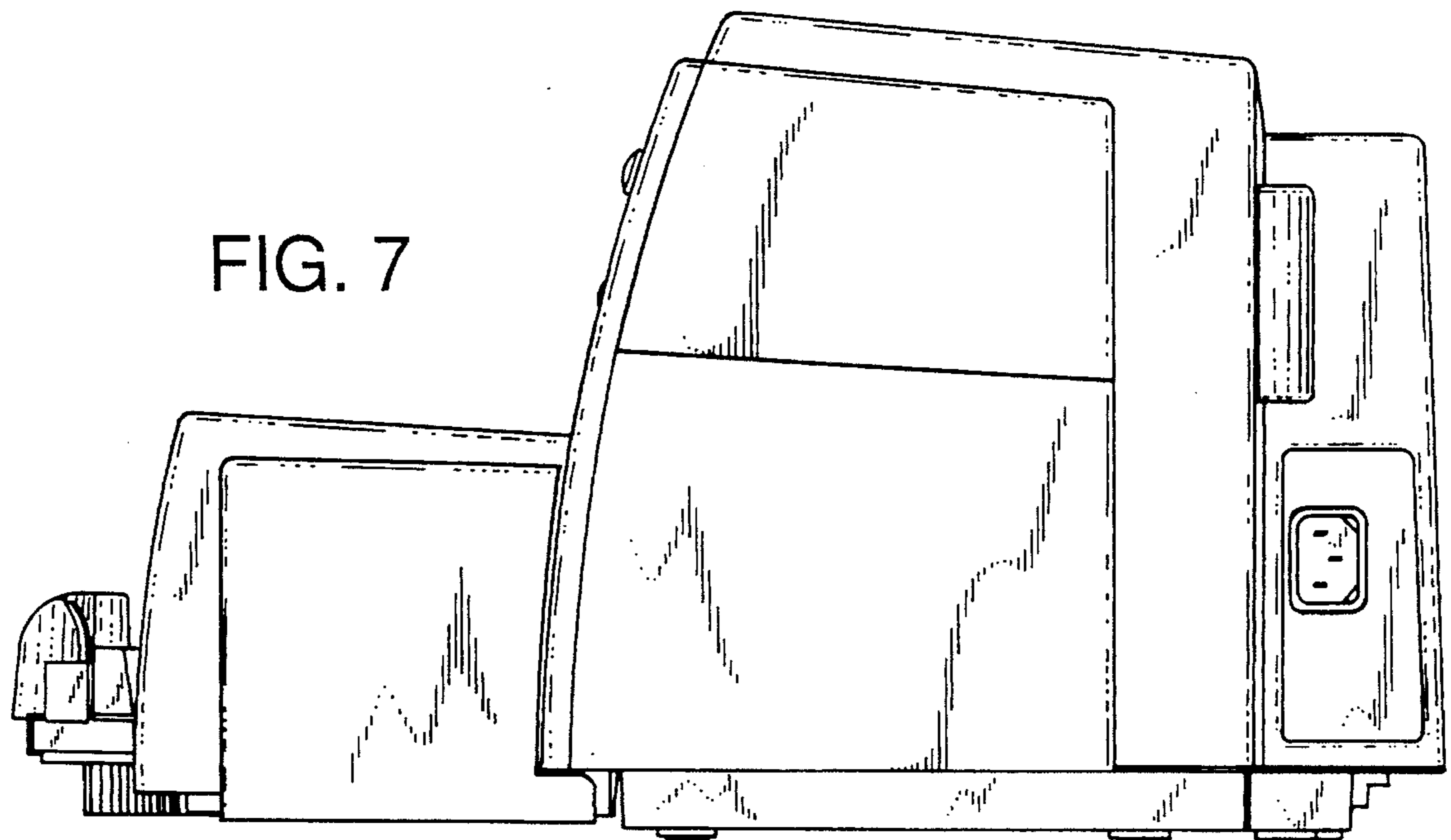


FIG. 7