



US00D373375S

United States Patent [19]

Yamamoto et al.

[11] Patent Number: **Des. 373,375**

[45] Date of Patent: ****Sep. 3, 1996**

[54] **COPYING MACHINE**

[75] Inventors: **Ei Yamamoto; Hisakazu Shimizu**, both of Yokohama, Japan

[73] Assignee: **Canon Kabushiki Kaisha**, Tokyo, Japan

[**] Term: **14 Years**

[21] Appl. No.: **39,251**

[22] Filed: **May 25, 1995**

[30] **Foreign Application Priority Data**

Nov. 28, 1994 [JP] Japan 6-36097

[52] U.S. Cl. **D18/39**

[58] Field of Search D18/36-39; D14/118; 354/89, 90, 297, 299; 355/200, 210, 233, 234

[56] **References Cited**

U.S. PATENT DOCUMENTS

D. 263,311	3/1982	Goto	D18/38
D. 280,630	9/1985	Kadota	D16/30
D. 299,926	2/1989	Katada et al.	D18/38
D. 300,749	4/1989	Tokuda	D18/38
D. 313,814	1/1991	Komada et al.	D18/37
D. 316,424	4/1991	Komada et al.	D18/39
D. 316,425	4/1991	Aoyama et al.	D18/39
D. 317,622	6/1991	Isomoto et al.	D18/38
D. 318,486	7/1991	Yamamoto et al.	D18/39
D. 328,382	7/1992	Komada et al.	D18/36

D. 328,756	8/1992	Katada et al.	D18/36
D. 329,452	9/1992	Komada et al.	D18/40
D. 334,768	4/1993	Katada et al.	D18/36
D. 334,769	4/1993	Yamamoto et al.	d18/36
D. 334,770	4/1993	Isomoto et al.	D18/39
D. 334,943	4/1993	Suzuki et al.	D18/39
D. 338,031	8/1993	Katada et al.	D18/36
D. 338,226	8/1993	Yamamoto	D18/39
D. 350,767	9/1994	Kojima et al.	D18/38
D. 350,972	9/1994	Komada et al.	D18/36
D. 354,304	1/1995	Ishibashi et al.	D18/36
D. 354,305	1/1995	Suzuki	D18/39
D. 354,511	1/1995	Agata et al.	D18/36

Primary Examiner—Nelson C. Holtje
Assistant Examiner—Caron D. Veynar
Attorney, Agent, or Firm—Fitzpatrick, Cella, Harper & Scinto

[57] **CLAIM**

The ornamental design for a copying machine, as shown and described.

DESCRIPTION

FIG. 1 is a front elevational view of a copying machine showing our new design;
FIG. 2 is a rear elevational view thereof;
FIG. 3 is a top plan view thereof;
FIG. 4 is a bottom plan view thereof;
FIG. 5 is a left side elevational view thereof;
FIG. 6 is a right side elevational view thereof; and,
FIG. 7 is a perspective view thereof.

1 Claim, 6 Drawing Sheets

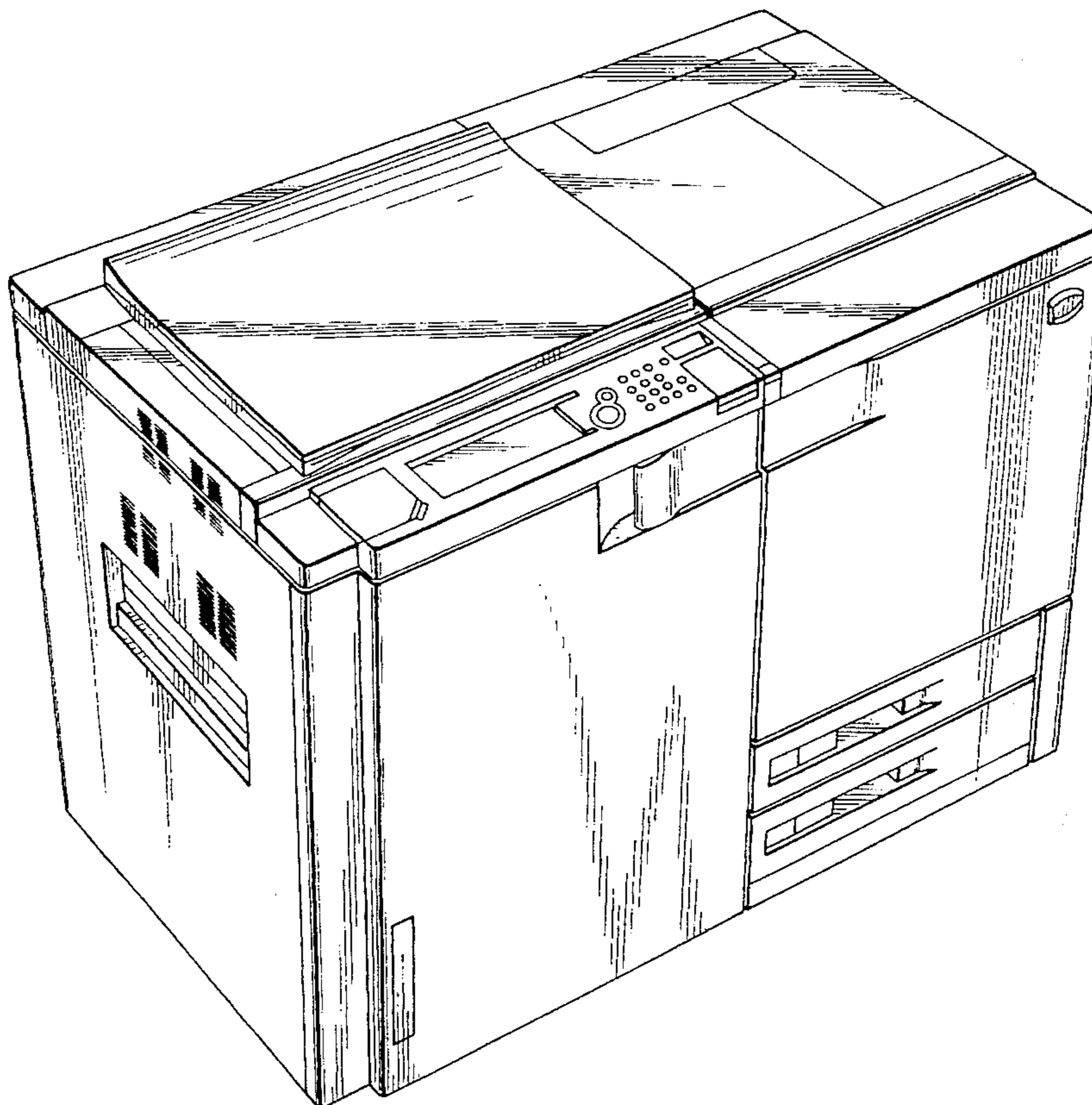


FIG. 1

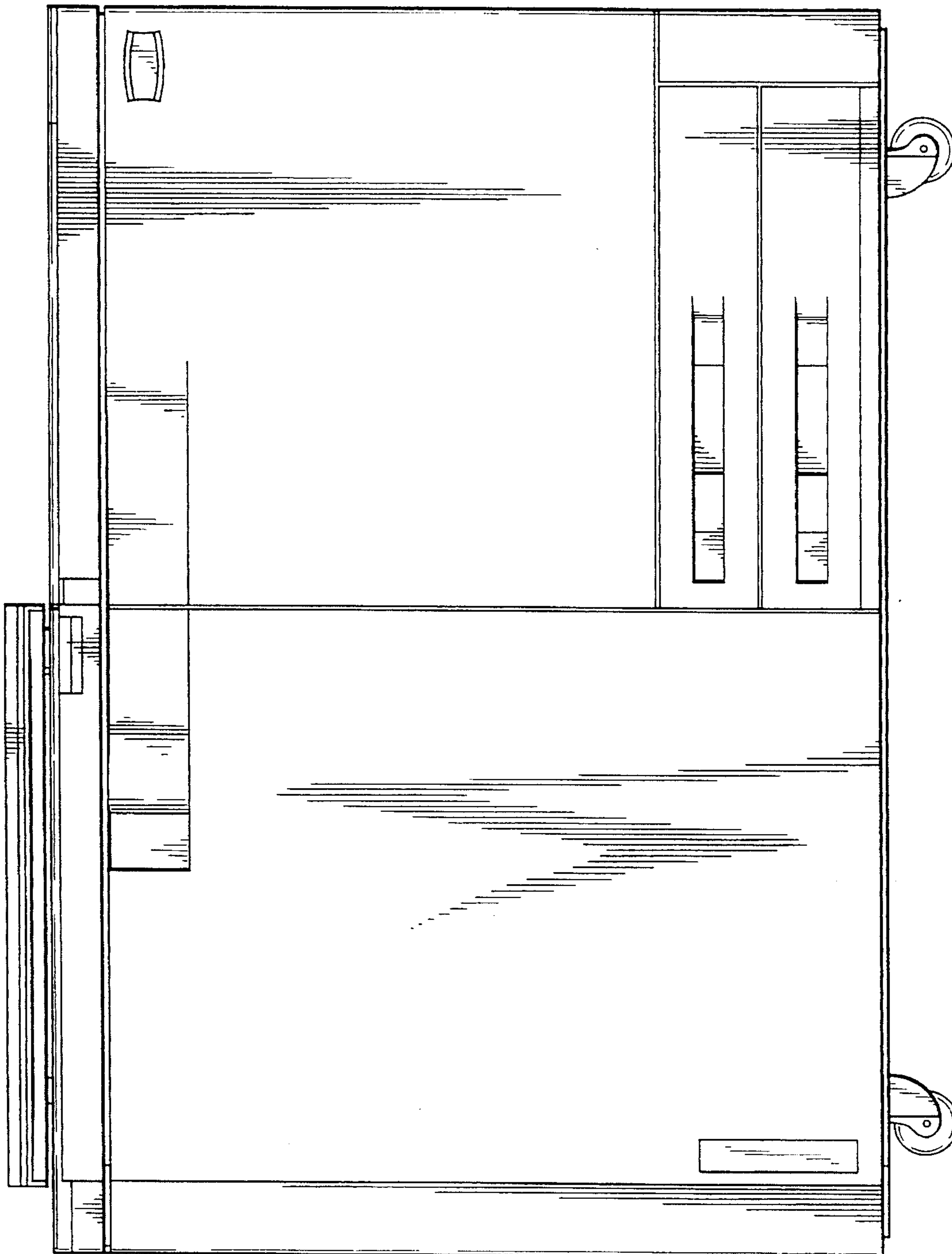


FIG. 2

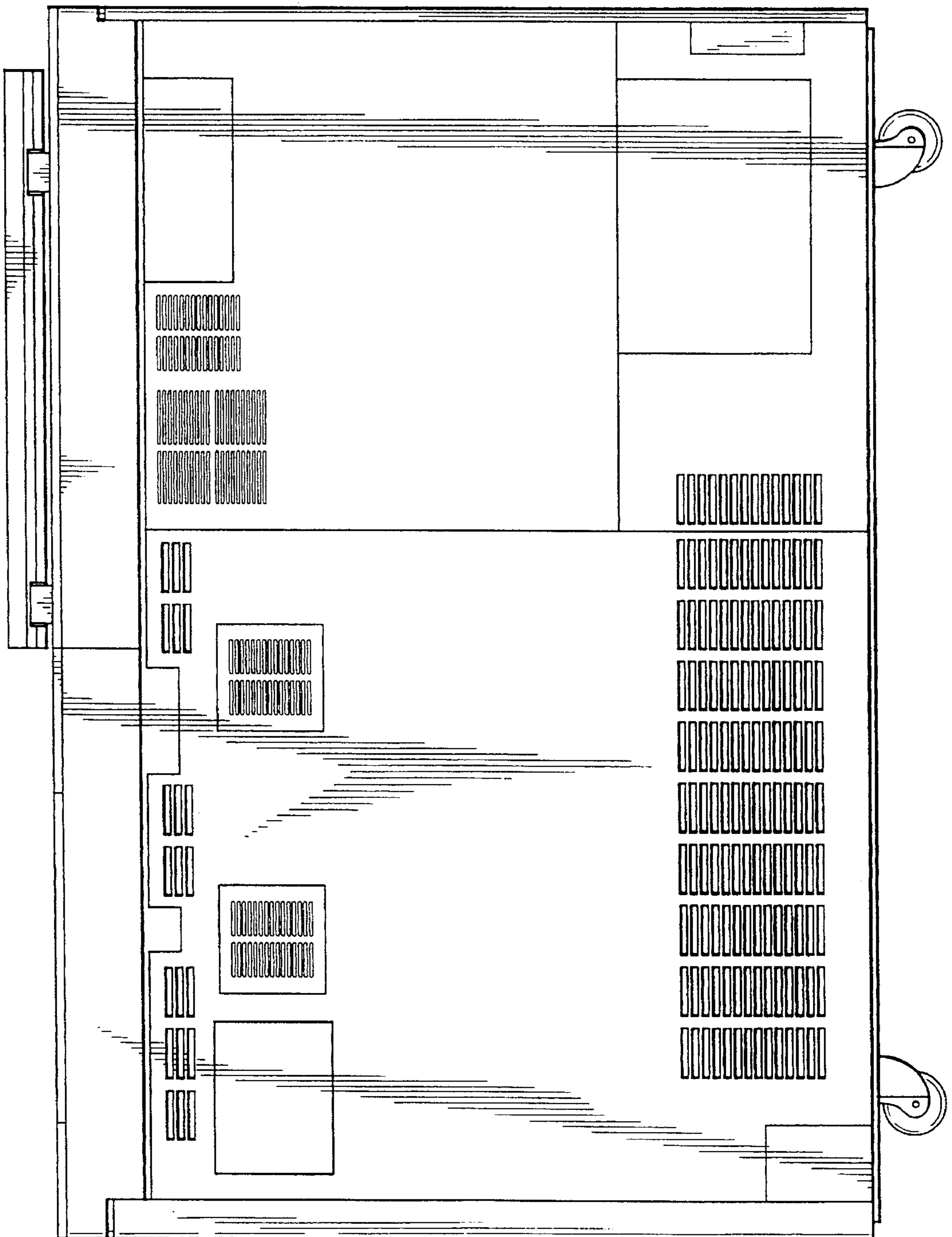


FIG. 3

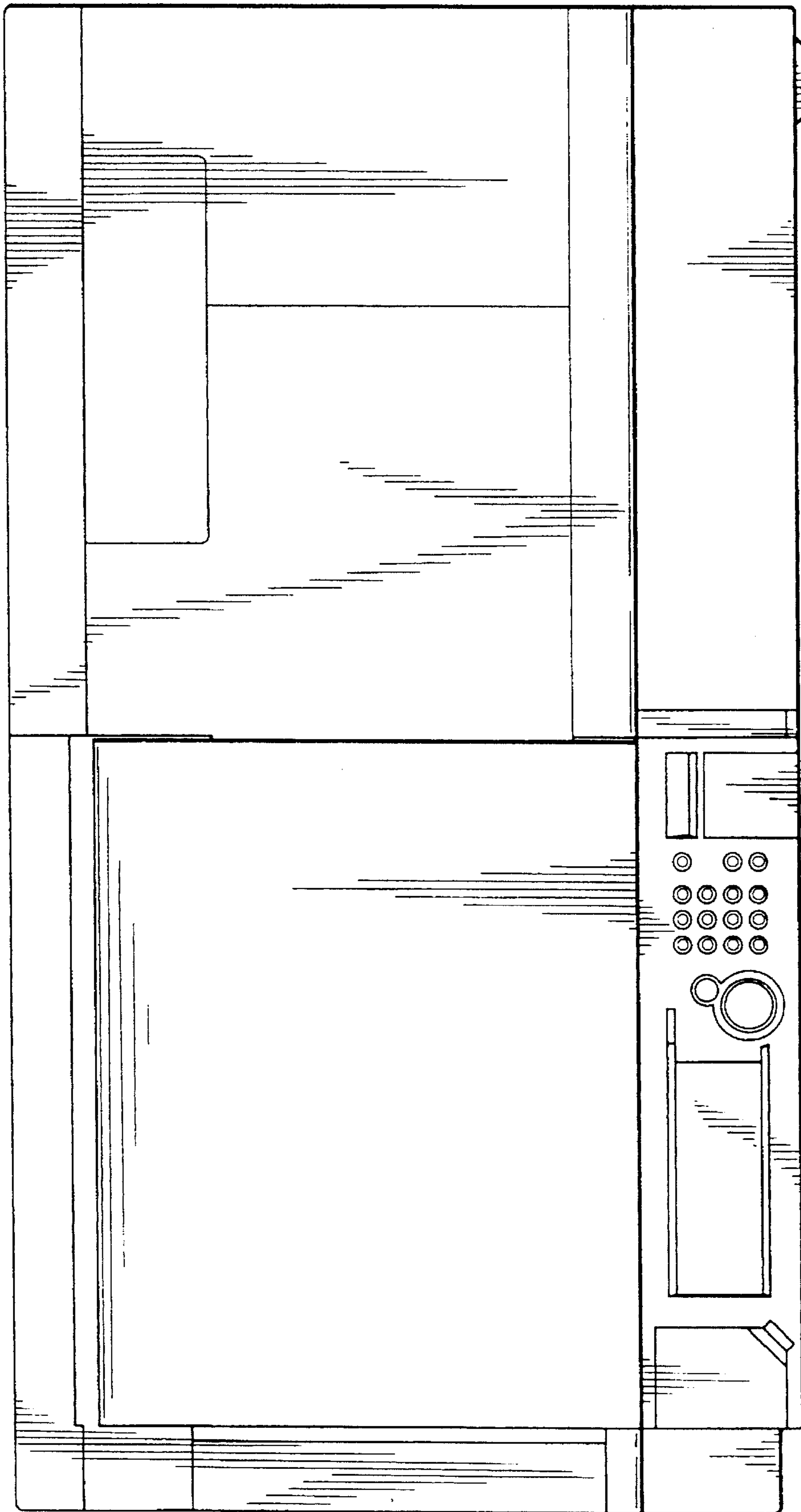


FIG. 4

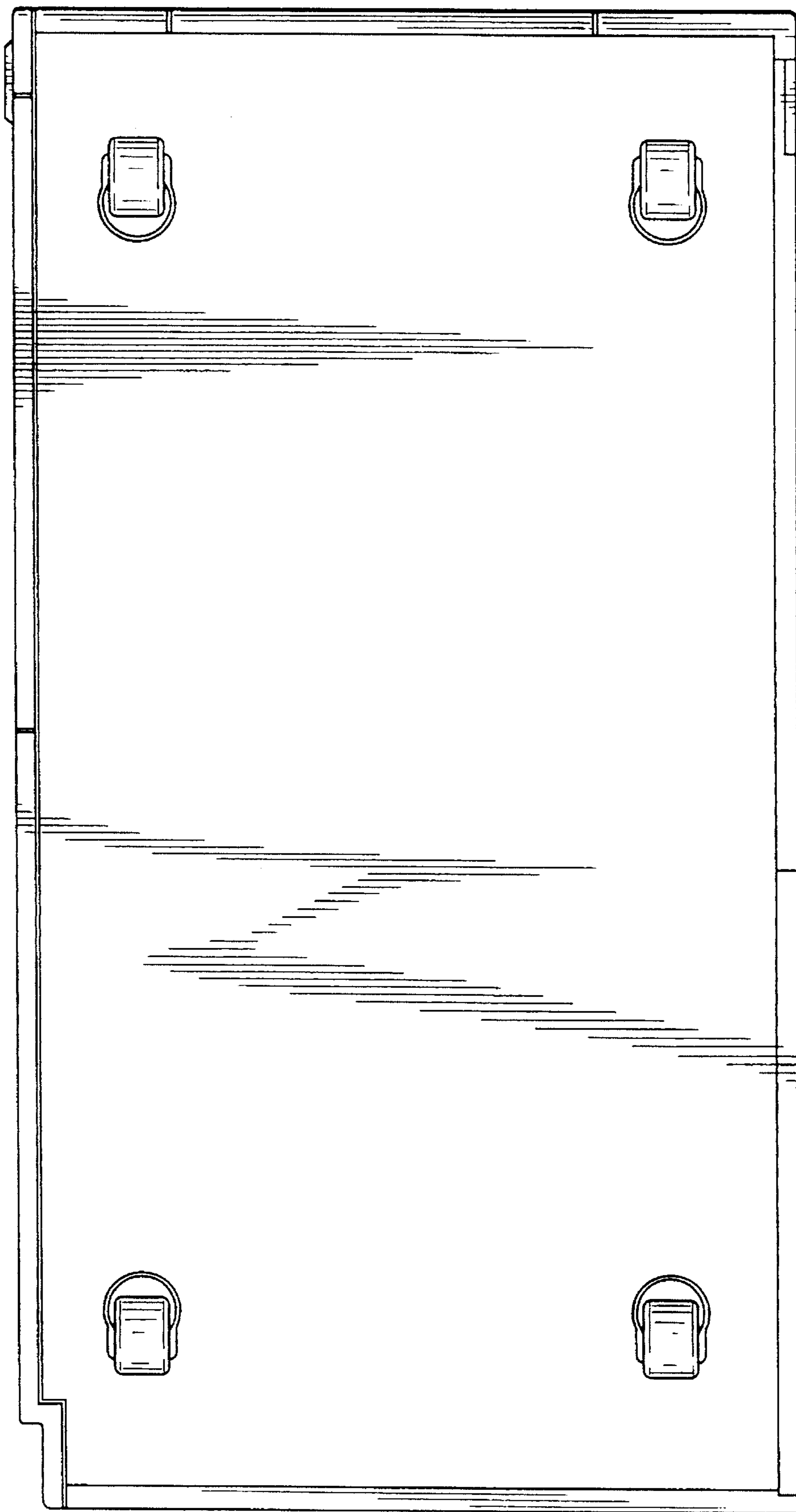


FIG. 6

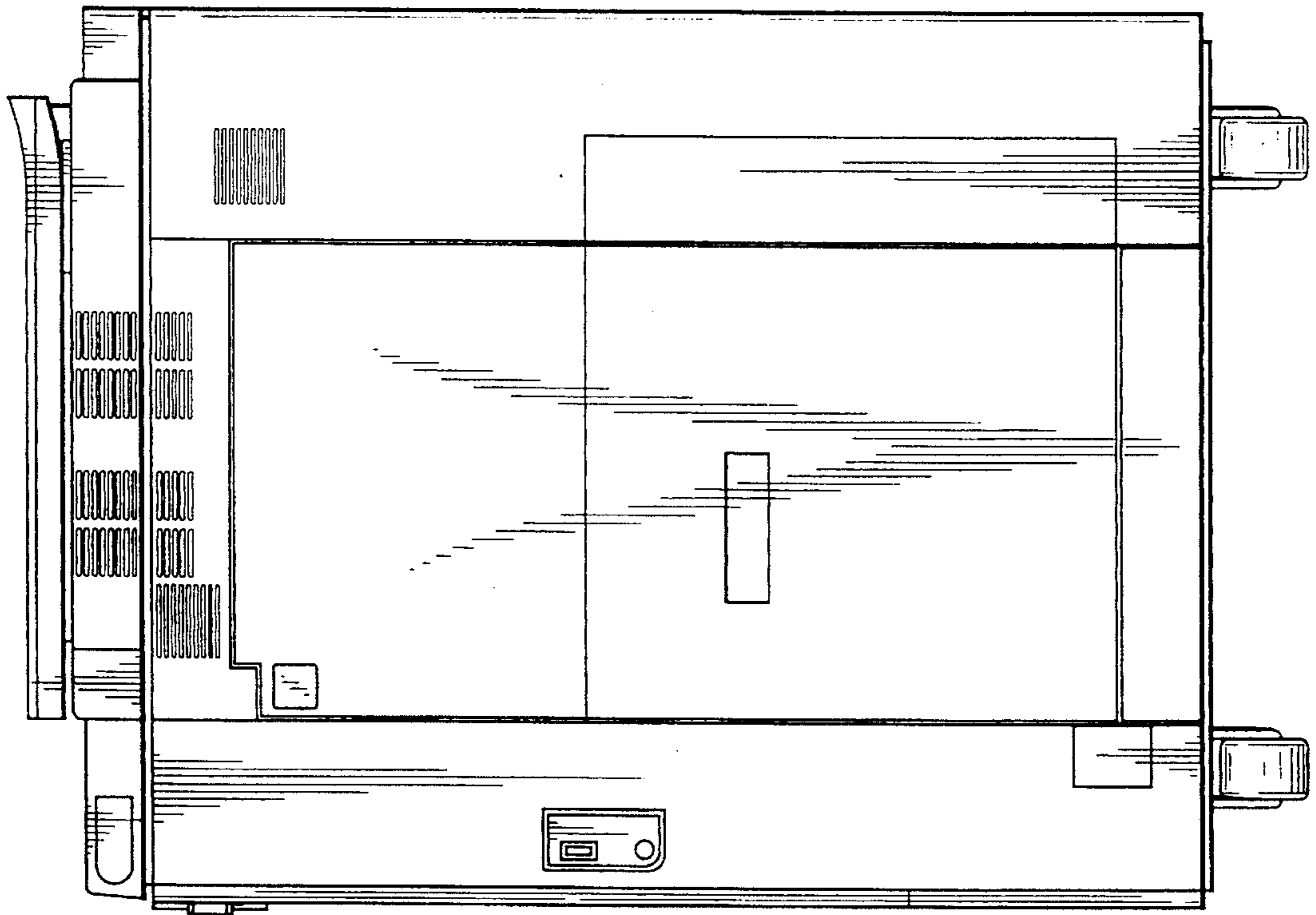
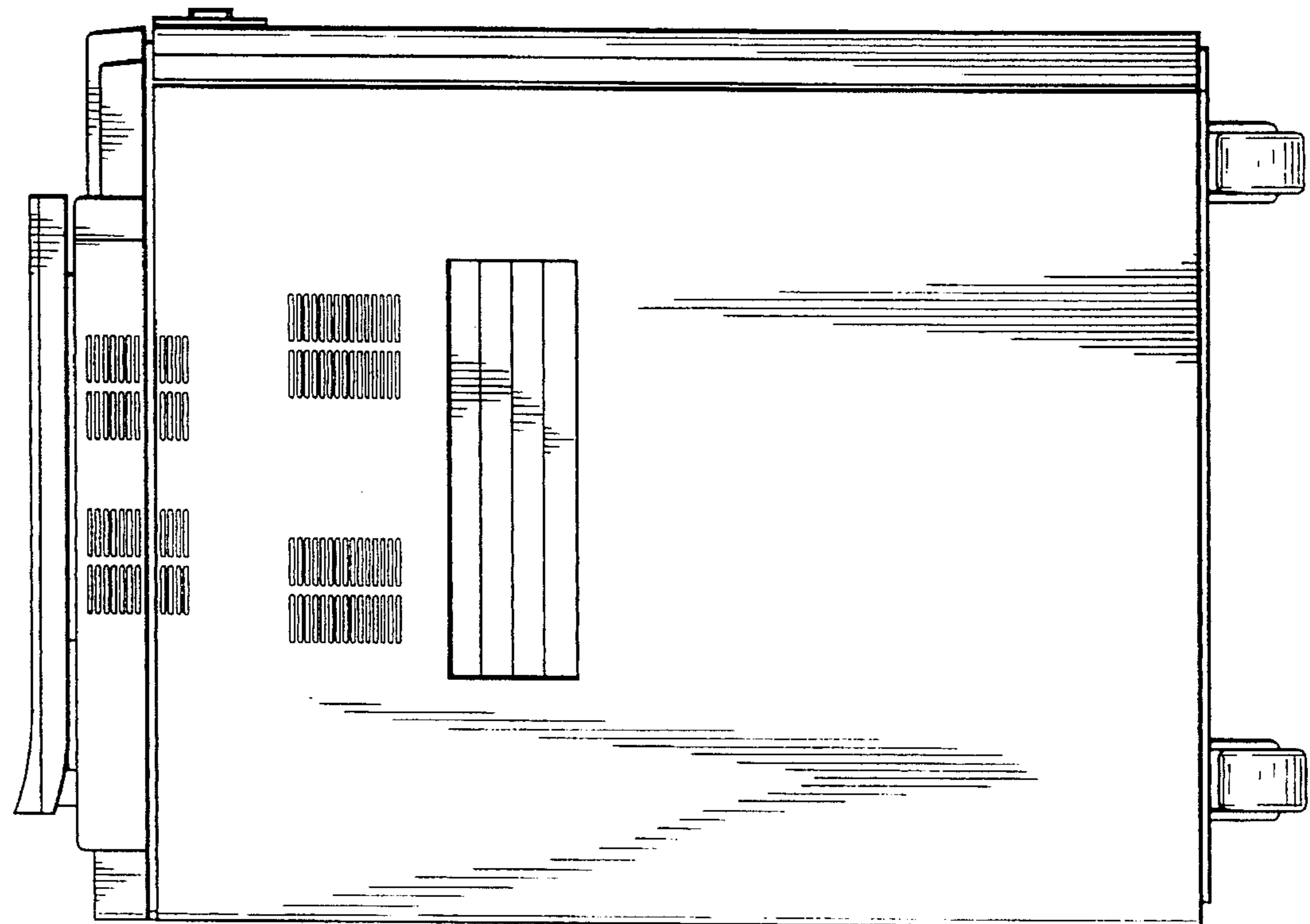


FIG. 5



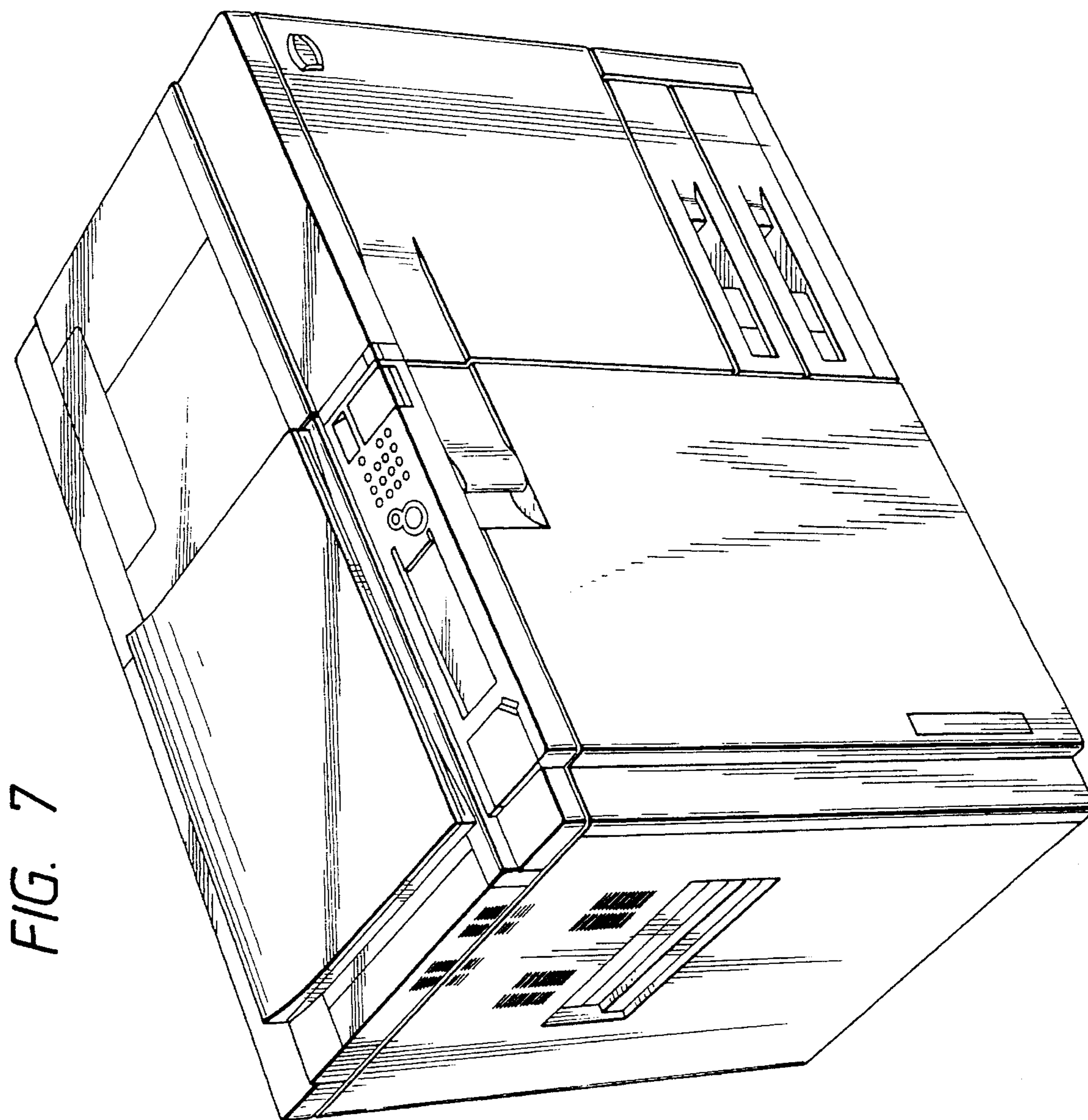


FIG. 7