



US00D373371S

United States Patent [19]

Chan

[11] Patent Number: **Des. 373,371**

[45] Date of Patent: ****Sep. 3, 1996**

[54] **PAIR OF BINOCULARS**

[76] Inventor: **Kwong C. Chan**, Flat A, 7th Floor, Manning Industrial Building, 118 How Ming Street, Kwung Tong, Kowloon, Hong Kong

[**] Term: **14 Years**

[21] Appl. No.: **45,752**

[22] Filed: **Oct. 27, 1995**

[30] **Foreign Application Priority Data**

May 1, 1995 [GB] United Kingdom 2047149

[52] U.S. Cl. **D16/133**

[58] Field of Search D16/132, 133;
359/407-418, 480-482

[56] **References Cited**

U.S. PATENT DOCUMENTS

D. 330,037	10/1992	Wakayama et al.	D16/133
4,913,538	4/1990	Wakayama et al.	359/408
5,206,757	4/1993	Cheng et al.	359/408
5,353,151	10/1994	Schultz et al.	359/408

Primary Examiner—James M. Gandy
Assistant Examiner—Stacia Sinuik
Attorney, Agent, or Firm—Browning, Bushman, Anderson & Brookhart

[57] **CLAIM**

The ornamental design for a pair of binoculars, as shown and described.

DESCRIPTION

FIG. 1 is a front, top and left side perspective view of a pair of binoculars showing my new design; FIG. 2 is a front elevational view thereof; FIG. 3 is a rear elevational view thereof; FIG. 4 is a left side elevational view thereof; FIG. 5 is a right side elevational view thereof; FIG. 6 is a top plan view thereof; FIG. 7 is a bottom plan view thereof; FIG. 8 is a front, top and left side perspective view thereof, in a collapsed condition; and, FIG. 9 is a rear, bottom and left side perspective view thereof, in a collapsed condition.

1 Claim, 4 Drawing Sheets

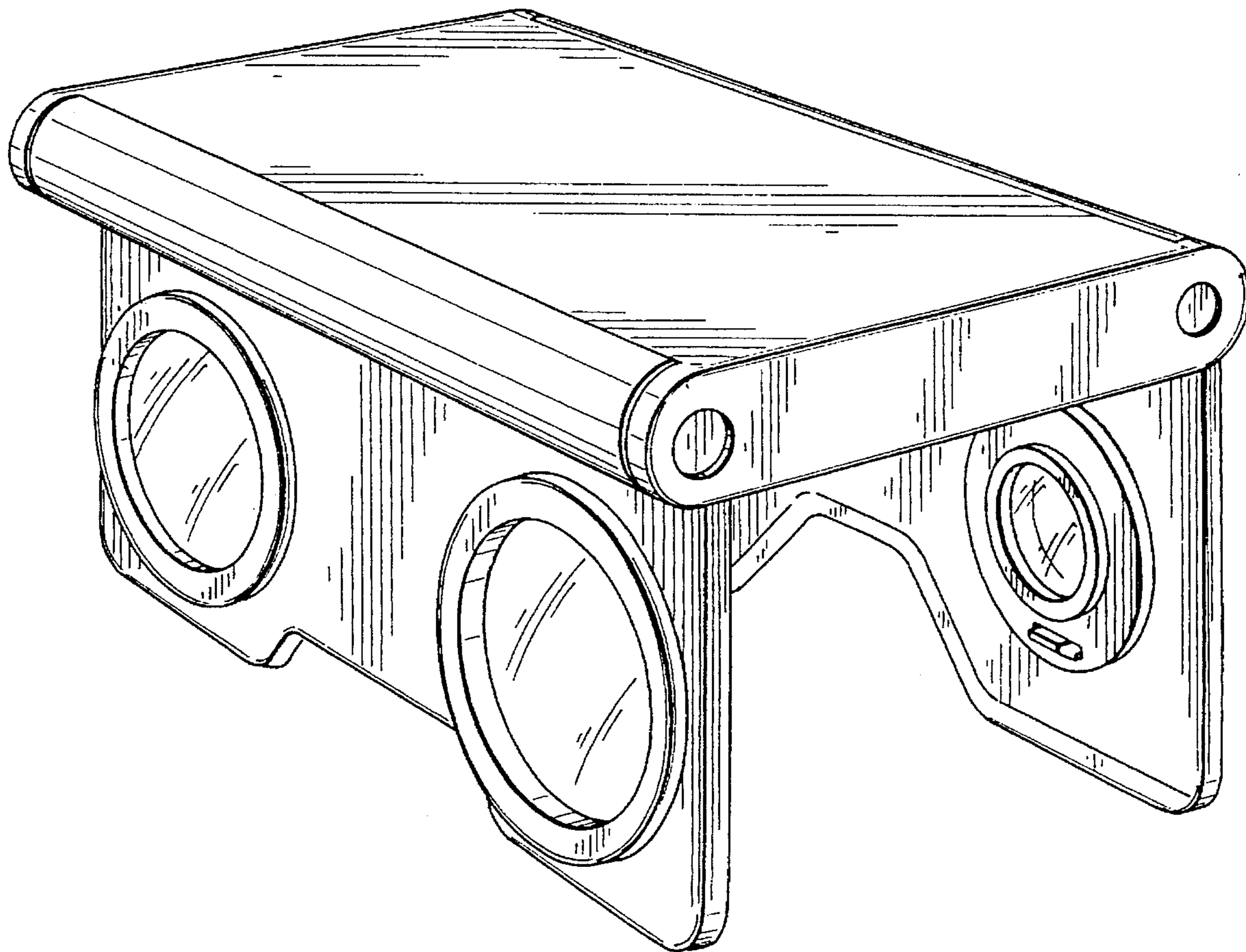


FIG. 1

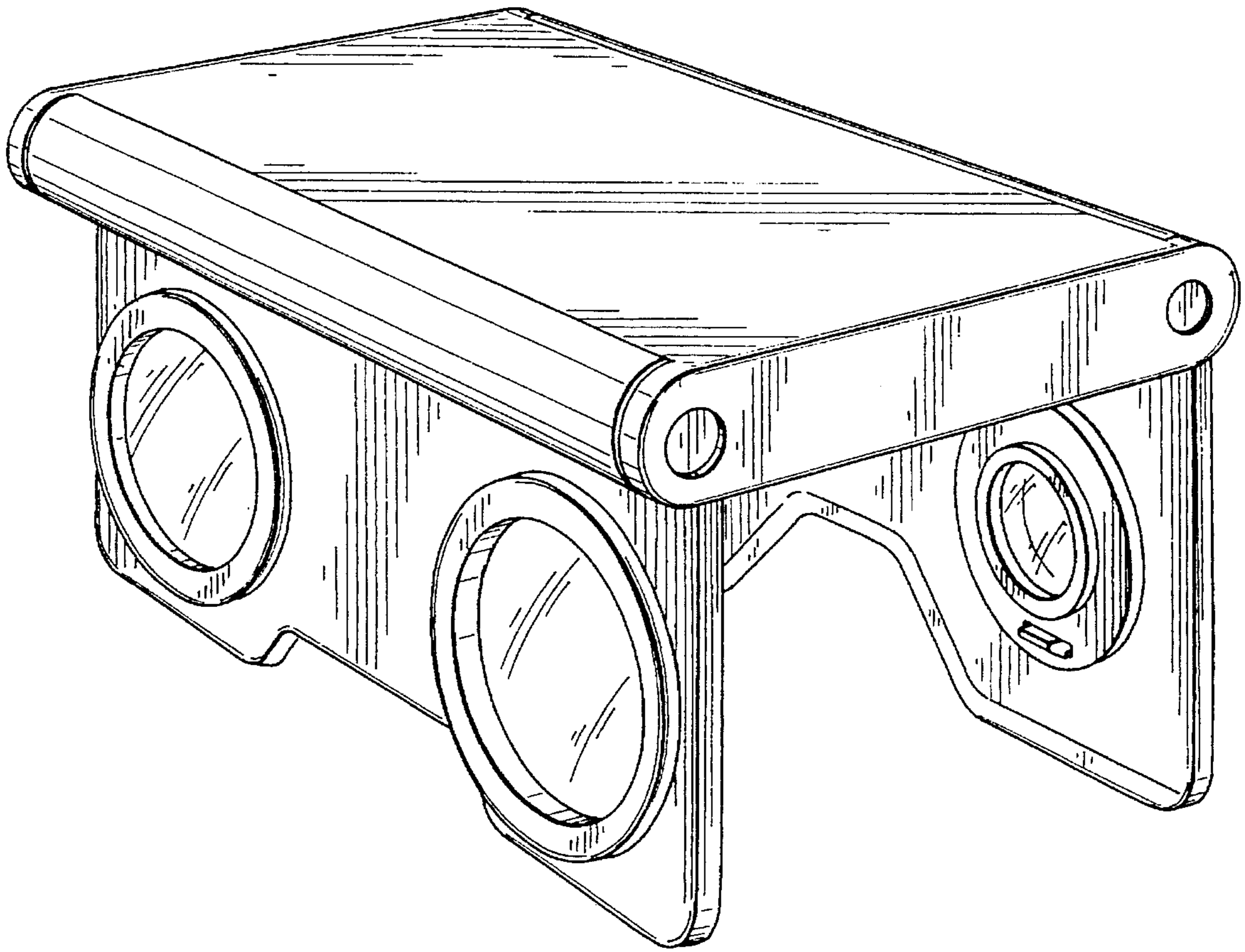


FIG. 2

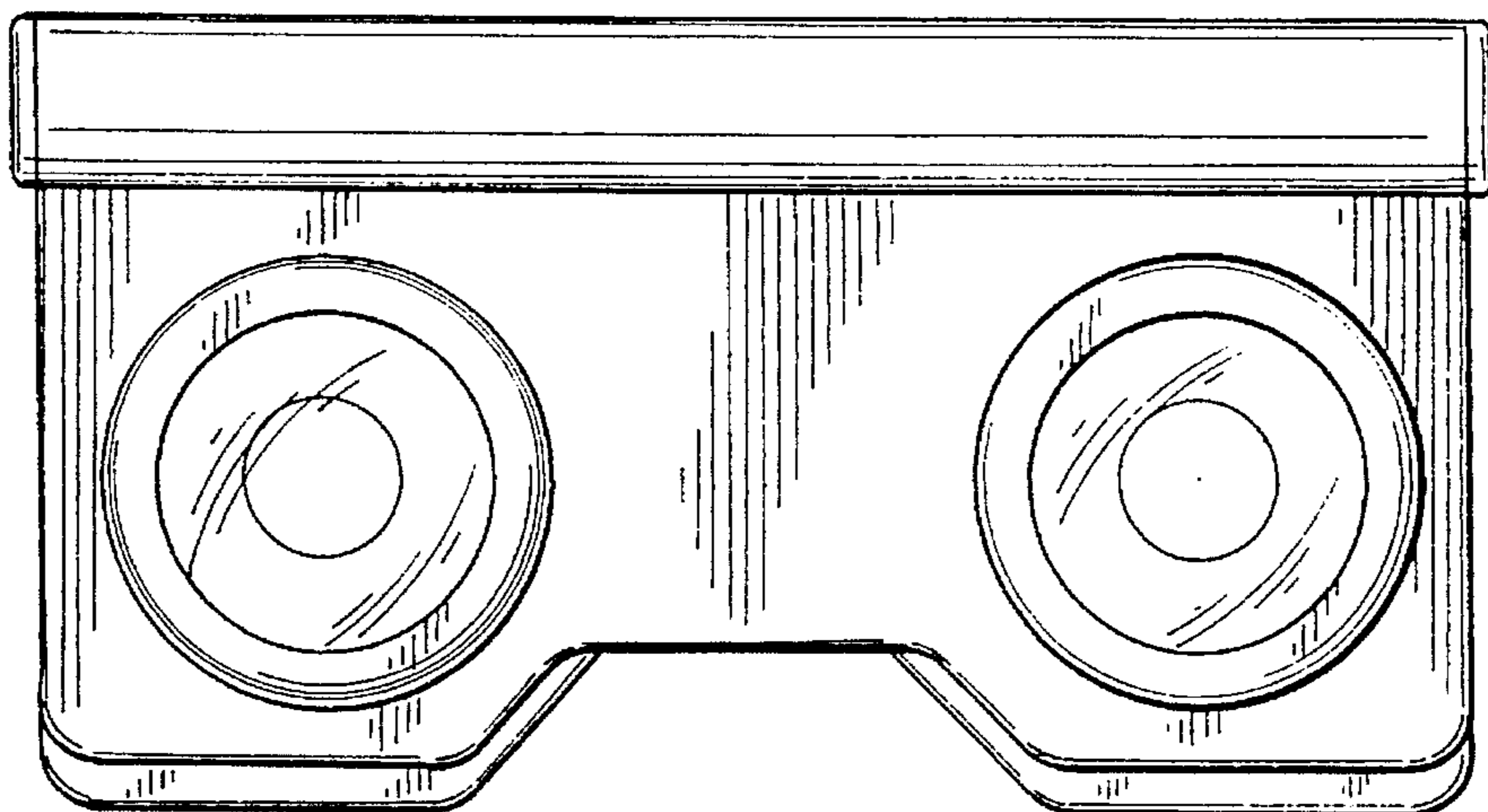


FIG. 3

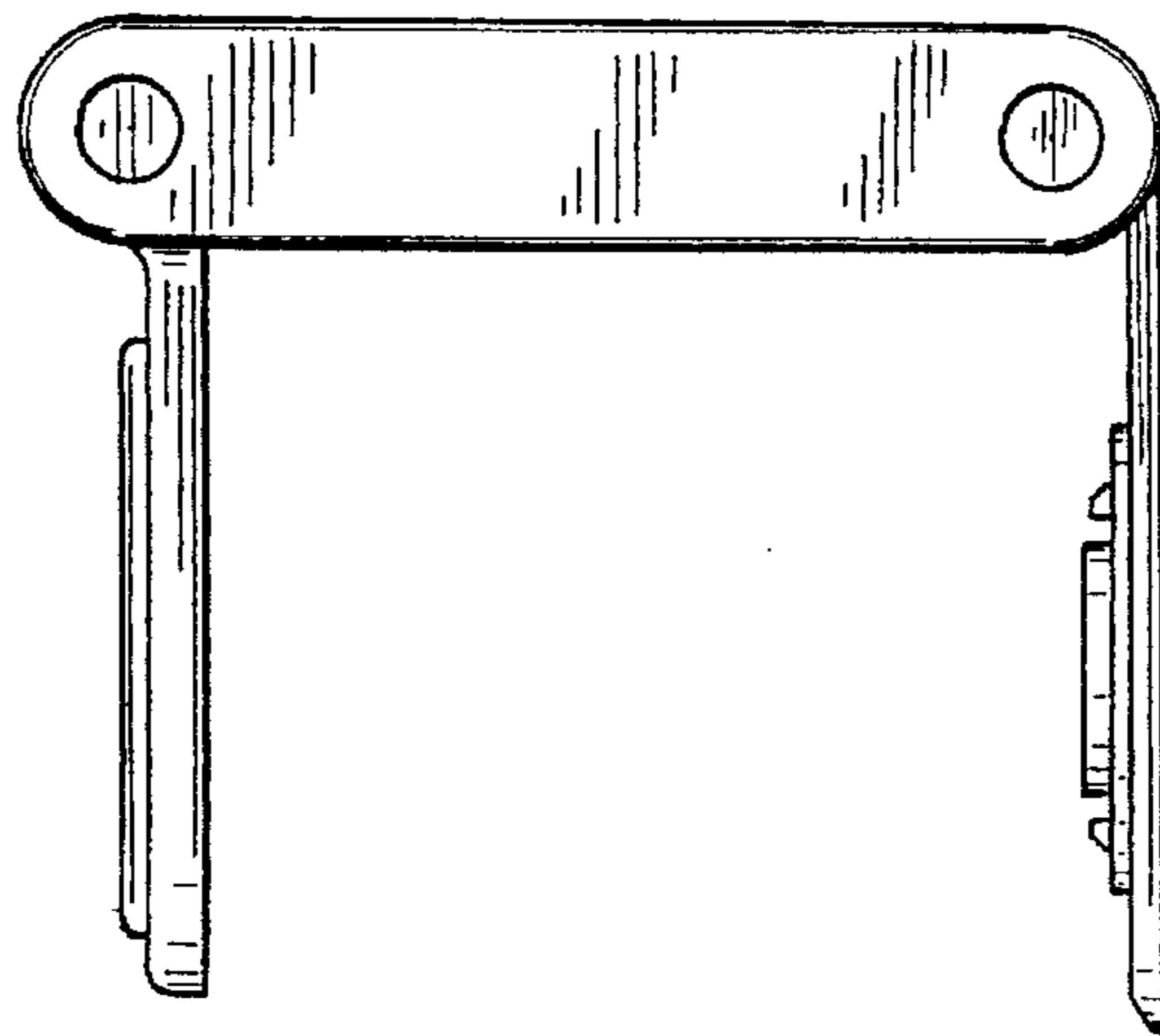
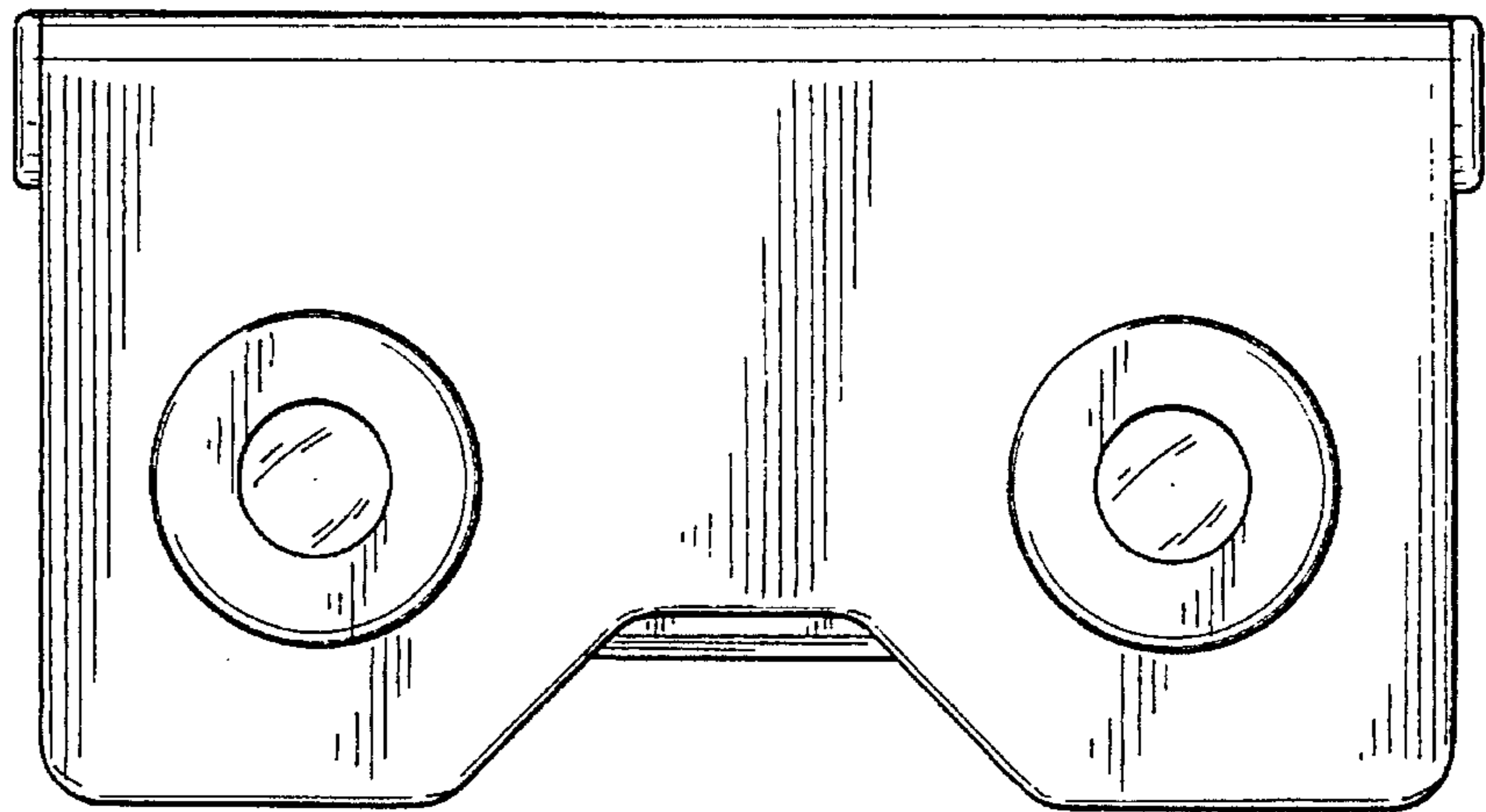
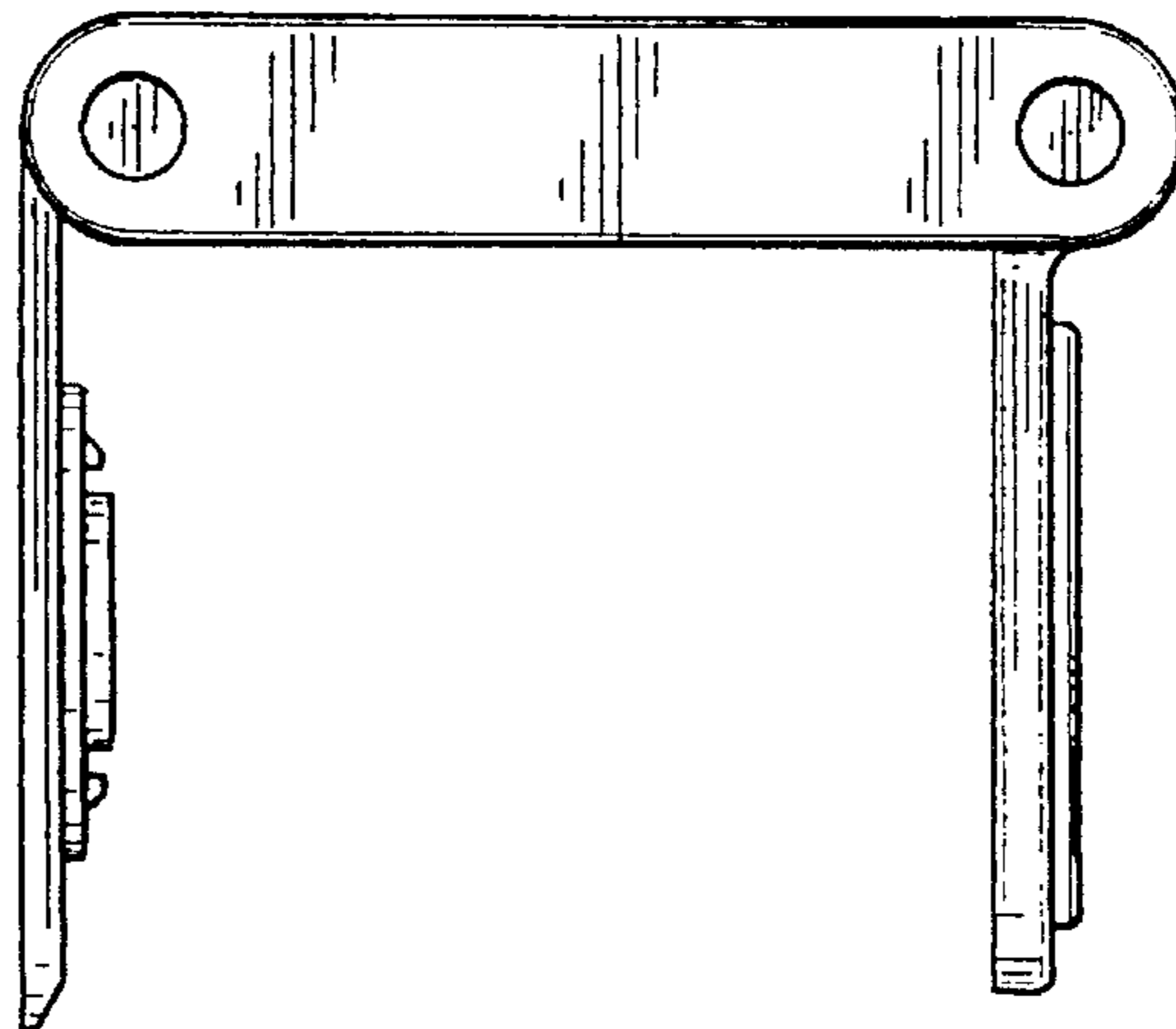


FIG. 4

FIG. 5



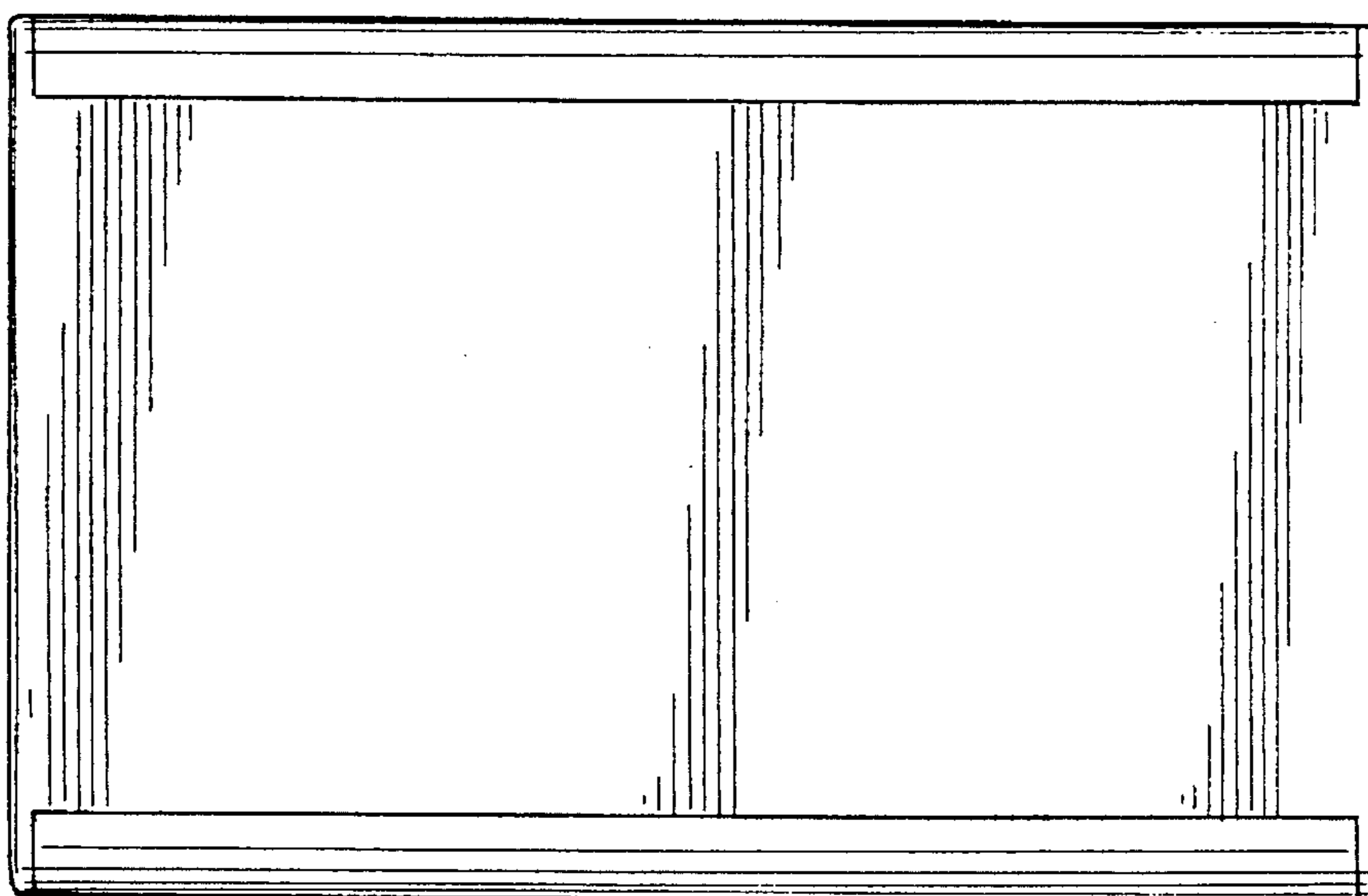


FIG. 6

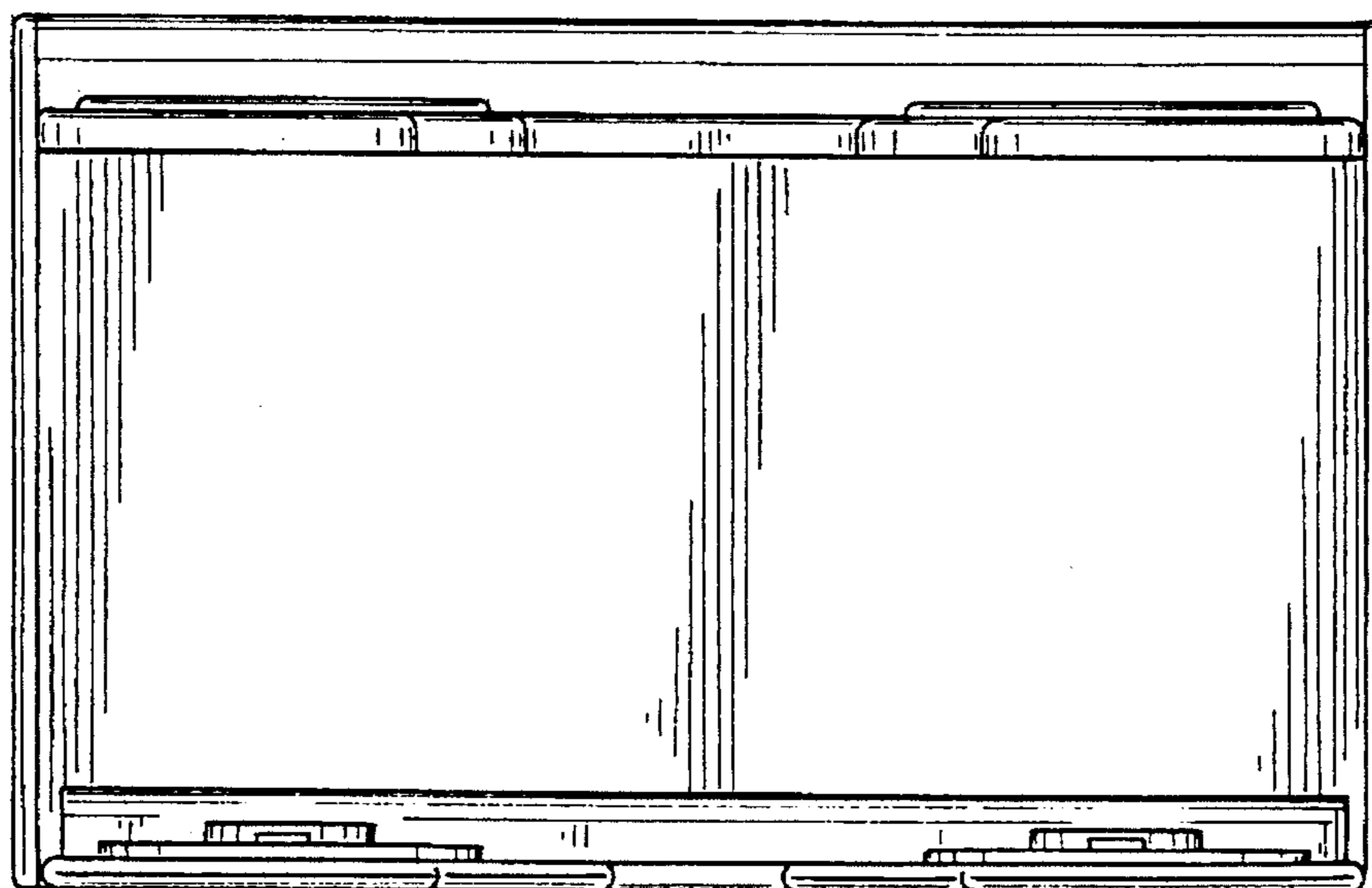


FIG. 7

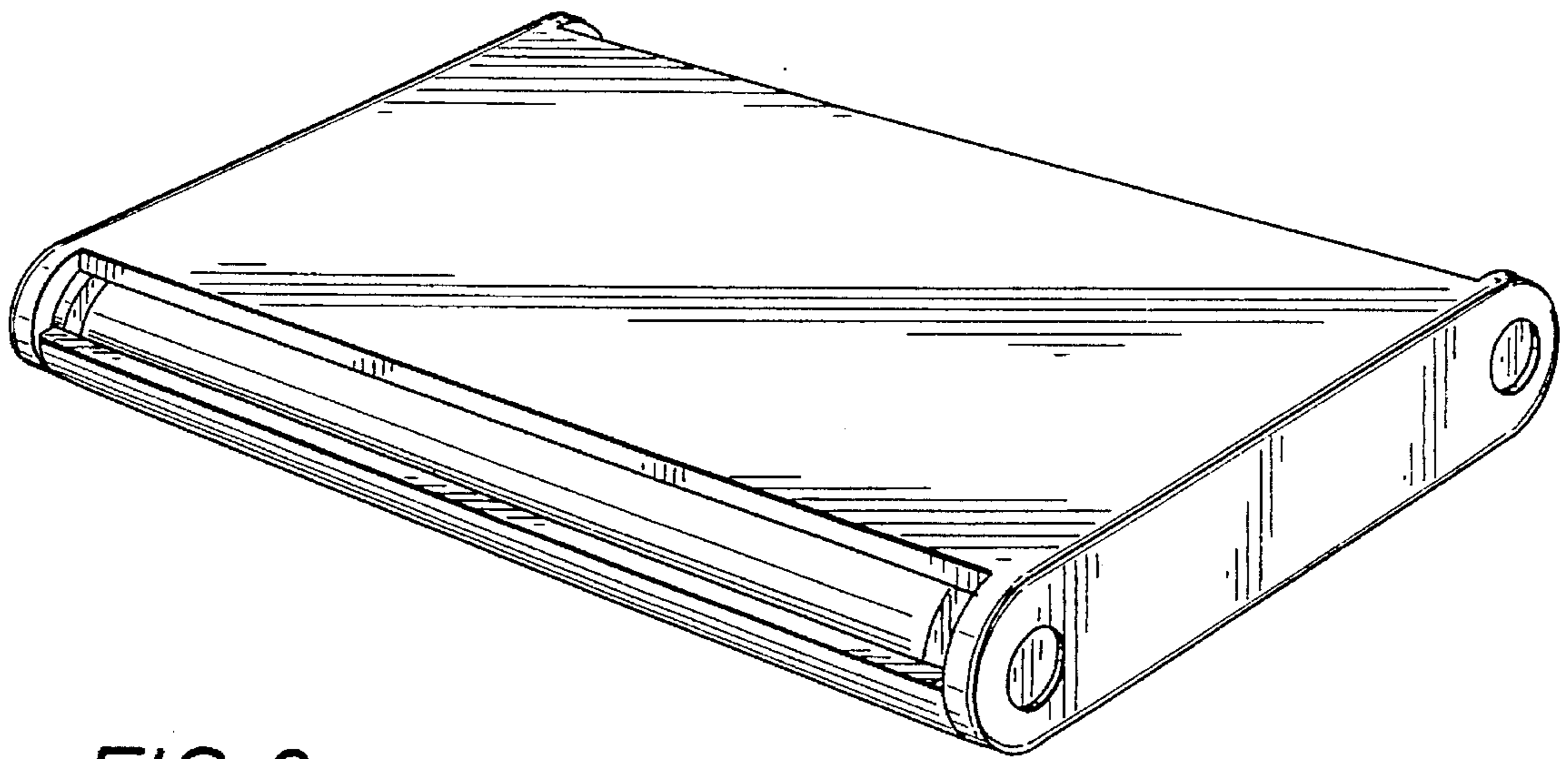


FIG. 8

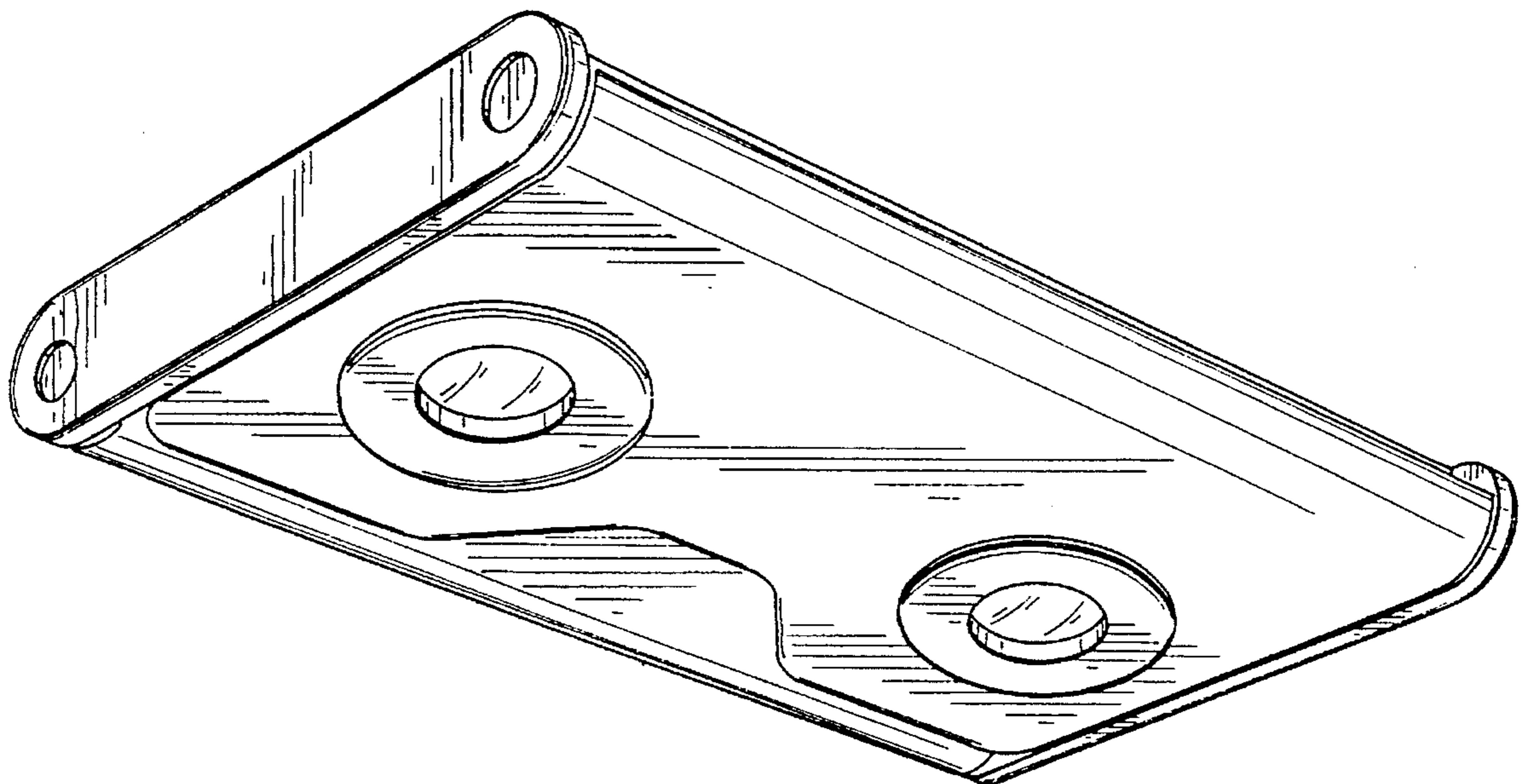


FIG. 9

UNITED STATES PATENT AND TRADEMARK OFFICE
CERTIFICATE OF CORRECTION

PATENT NO. : Des. 373,371
DATED : September 3, 1996
INVENTOR(S) : Kwong C. Chan

It is certified that error appears in the above-identified patent and that said Letters Patent is hereby corrected as shown below:

TITLE PAGE:

Under Item 76, "Inventor," change "Kwung" to --Kwun--.

Signed and Sealed this
Twenty-ninth Day of October 1996

Attest:



BRUCE LEHMAN

Attesting Officer

Commissioner of Patents and Trademarks