



US00D373369S

United States Patent [19]

[11] Patent Number: **Des. 373,369**

Matsui et al.

[45] Date of Patent: ****Sep. 3, 1996**

[54] **DRIVE PLATE FOR A MOTOR VEHICLE**

4,416,165 11/1983 Kramer et al. 74/820 X
5,203,441 4/1993 Monette 74/606 R X

[75] Inventors: **Hideki Matsui; Eiji Okamoto**, both of Shizuoka-ken, Japan

Primary Examiner—Antoine Duval Davis
Attorney, Agent, or Firm—Saidman DesignLaw Group

[73] Assignee: **Fujikiko Kabushiki Kaisha**, Tokyo, Japan

[57] CLAIM

[**] Term: **14 Years**

The ornamental design for a drive plate for a motor vehicle, as shown and described.

[21] Appl. No.: **40,921**

DESCRIPTION

[22] Filed: **Jun. 27, 1995**

FIG. 1 is a perspective view of a drive plate for a motor vehicle showing our new design;
FIG. 2 is a front plan view thereof;
FIG. 3 is a rear plan view thereof;
FIG. 4 is a side view thereof;
FIG. 5 is a perspective view of a second embodiment showing our new design;
FIG. 6 is a front plan view thereof;
FIG. 7 is a rear plan view thereof;
FIG. 8 is a side view thereof;
FIG. 9 is a perspective view of a third embodiment showing our new design;
FIG. 10 is a front plan view thereof;
FIG. 11 is a rear plan view thereof; and,
FIG. 12 is a side view thereof.

[30] Foreign Application Priority Data

Jan. 31, 1995 [JP] Japan 7-1974
Jan. 31, 1995 [JP] Japan 7-1975
Mar. 31, 1995 [JP] Japan 7-8669
[52] U.S. Cl. **D15/148**
[58] Field of Search D15/148, 149;
74/820, 606 R

[56] References Cited

U.S. PATENT DOCUMENTS

D. 263,229 3/1982 Nitz et al. D15/148 X
D. 288,934 3/1987 Brown D15/148
D. 296,900 7/1988 Randolph D15/148
3,750,494 8/1973 Rice 74/820
3,835,723 9/1974 Zugel 74/820 X

1 Claim, 12 Drawing Sheets

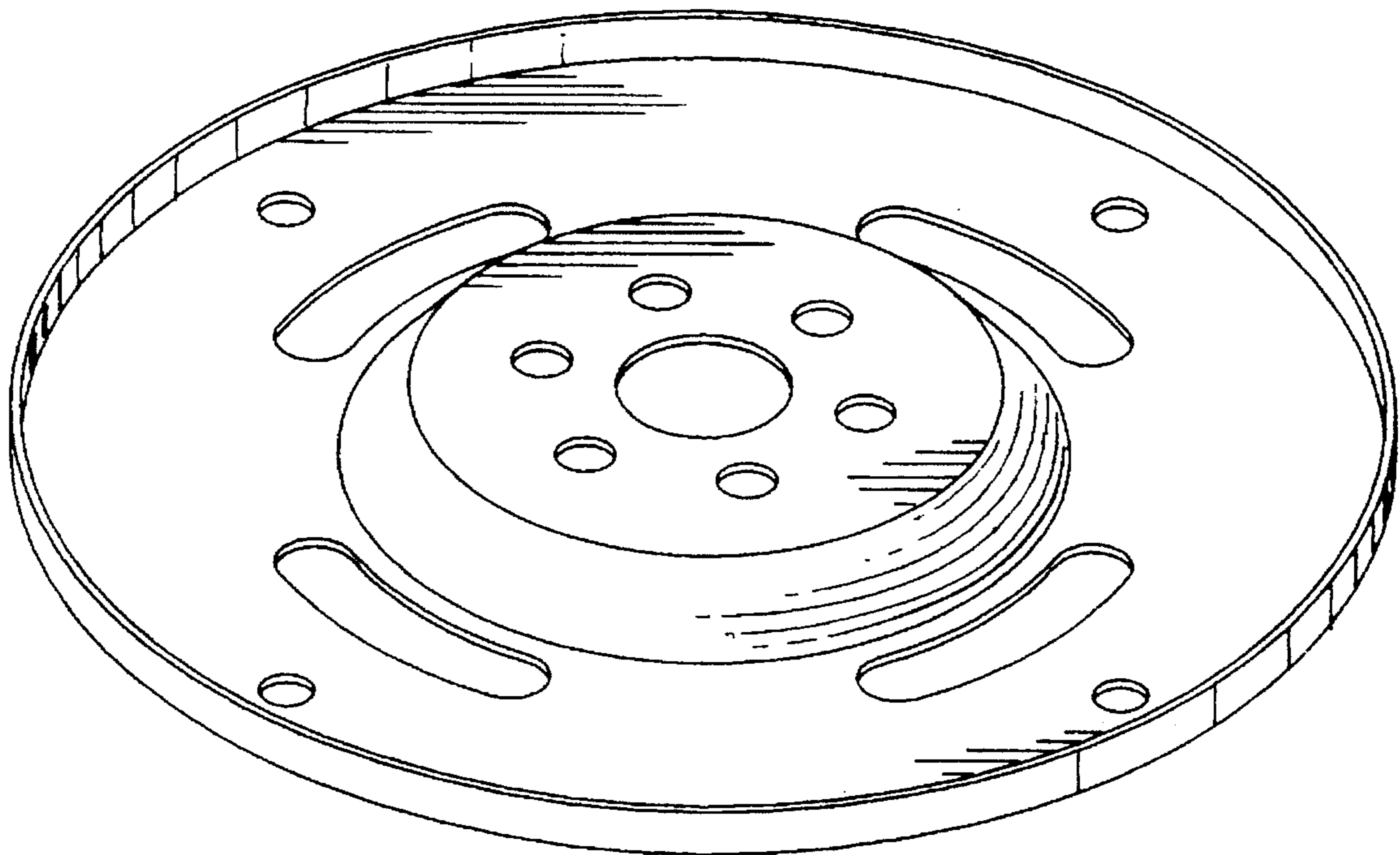


FIG. 1

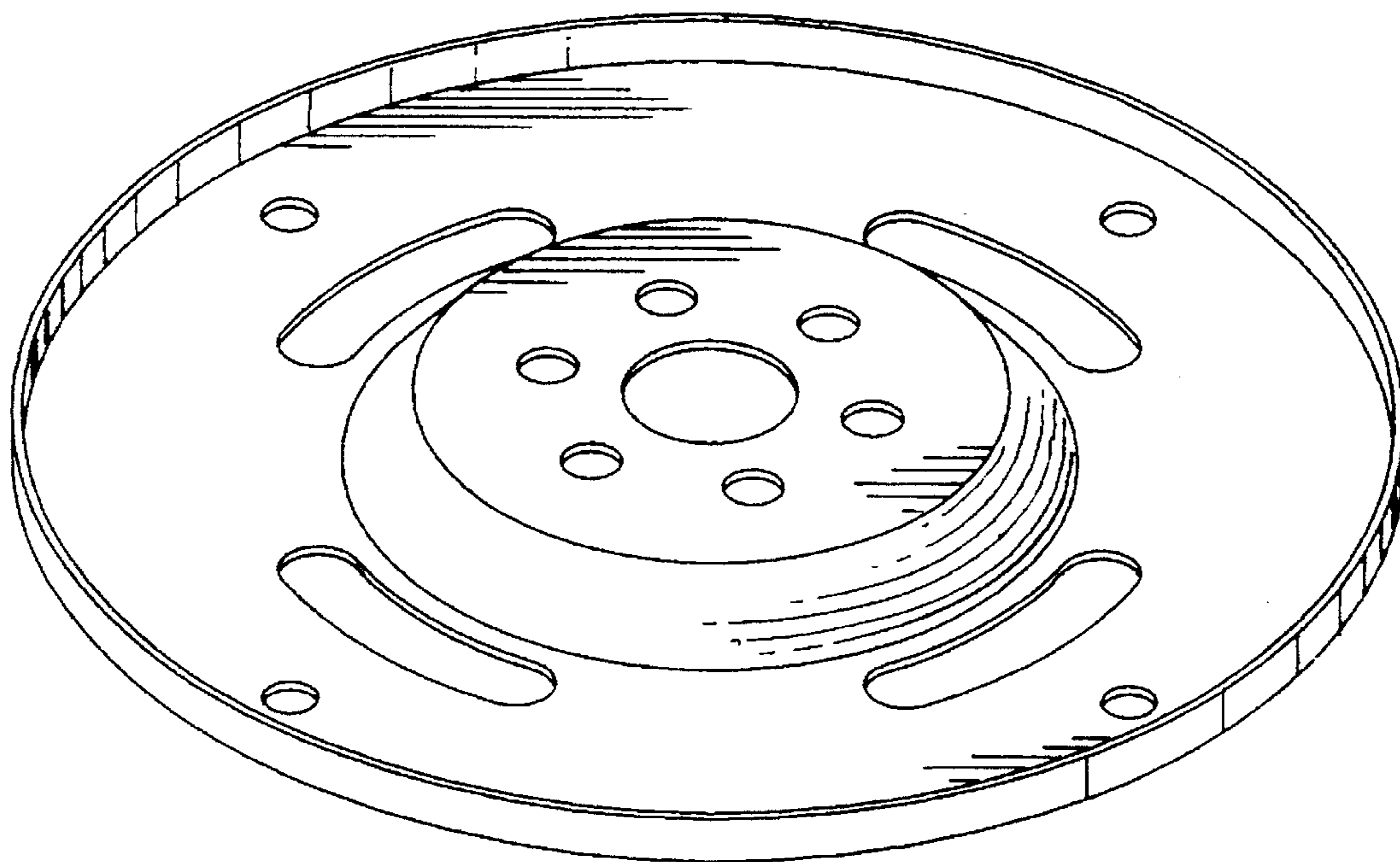


FIG. 2

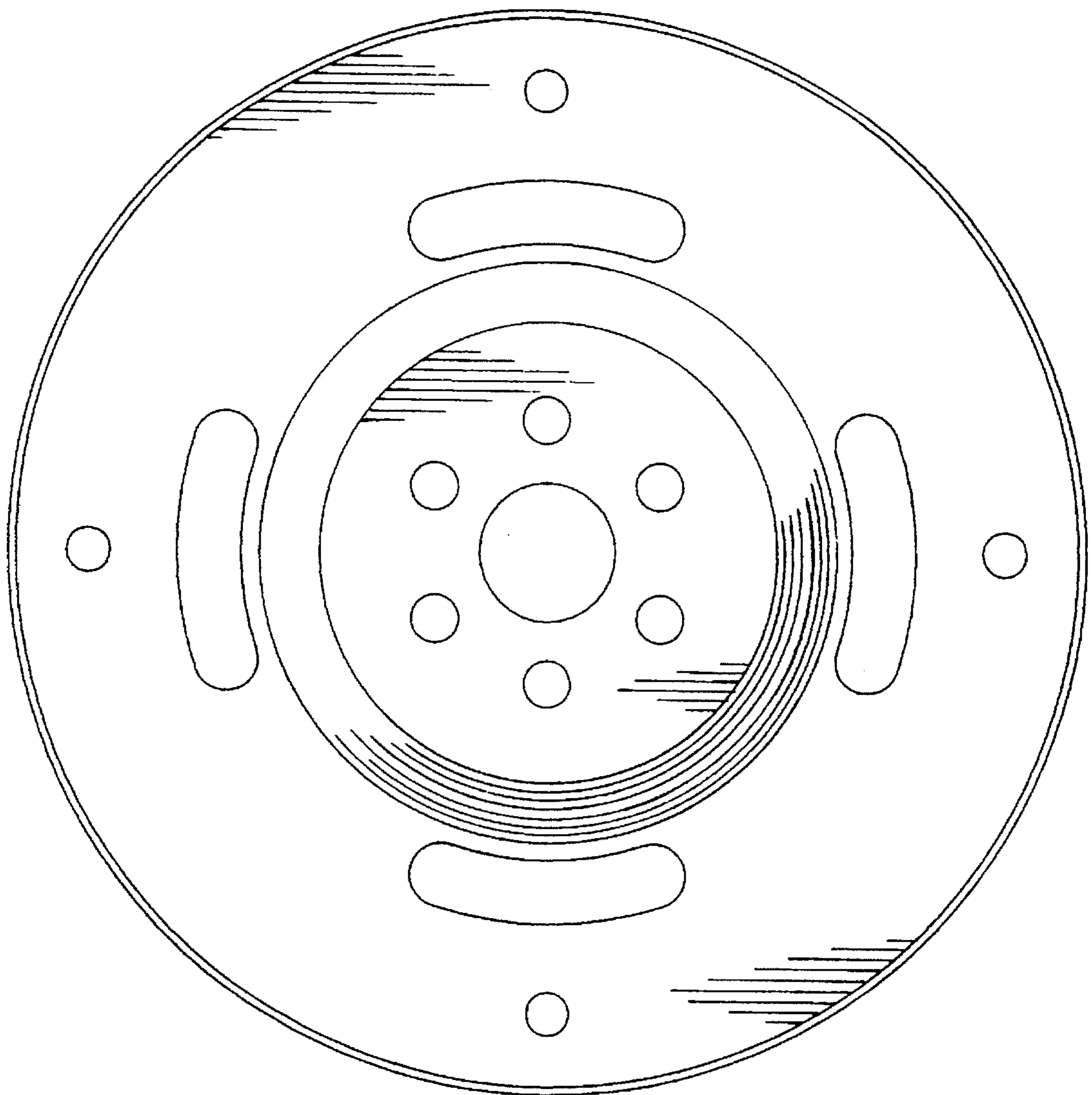


FIG. 3

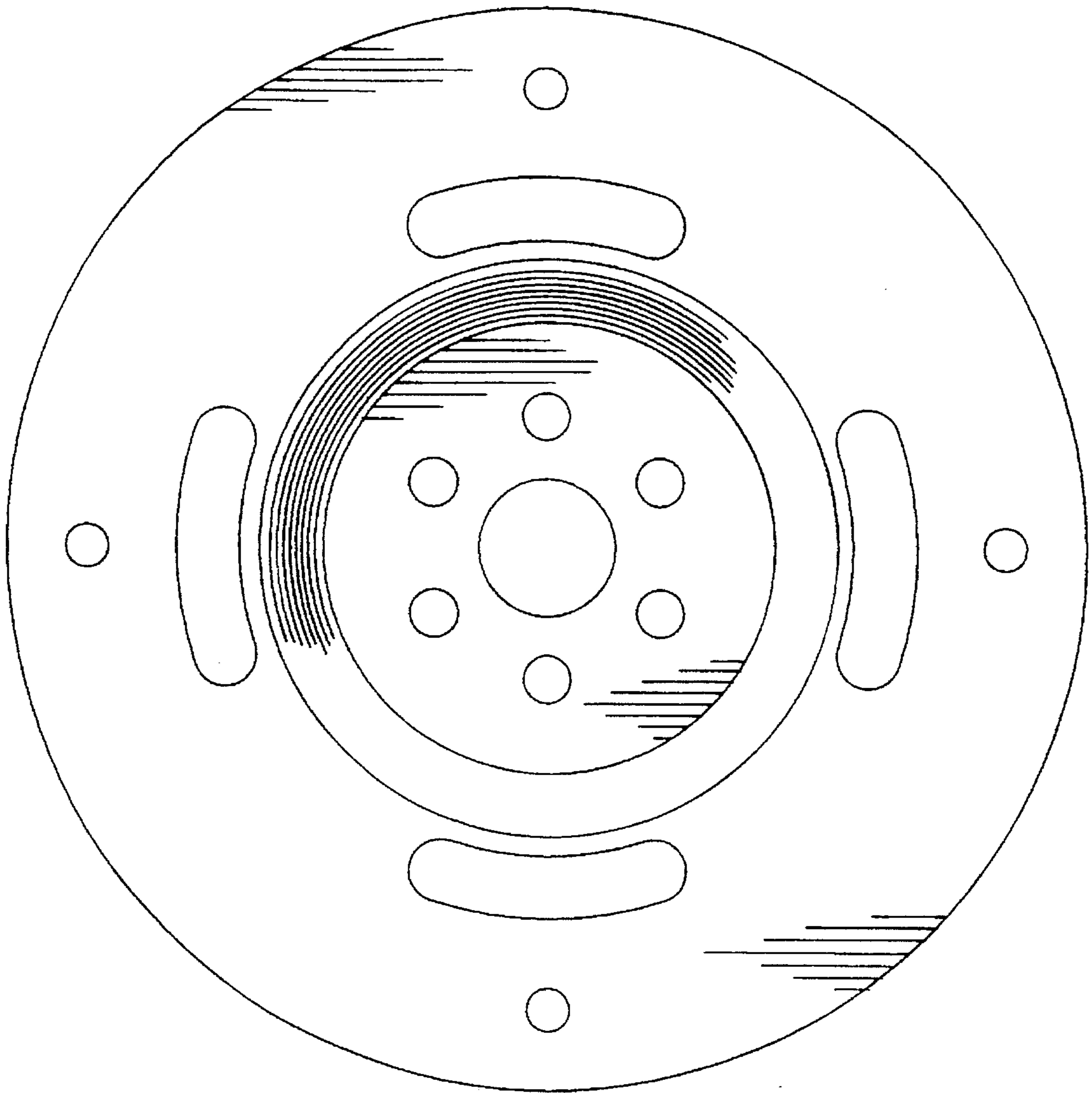


FIG. 4



FIG. 5

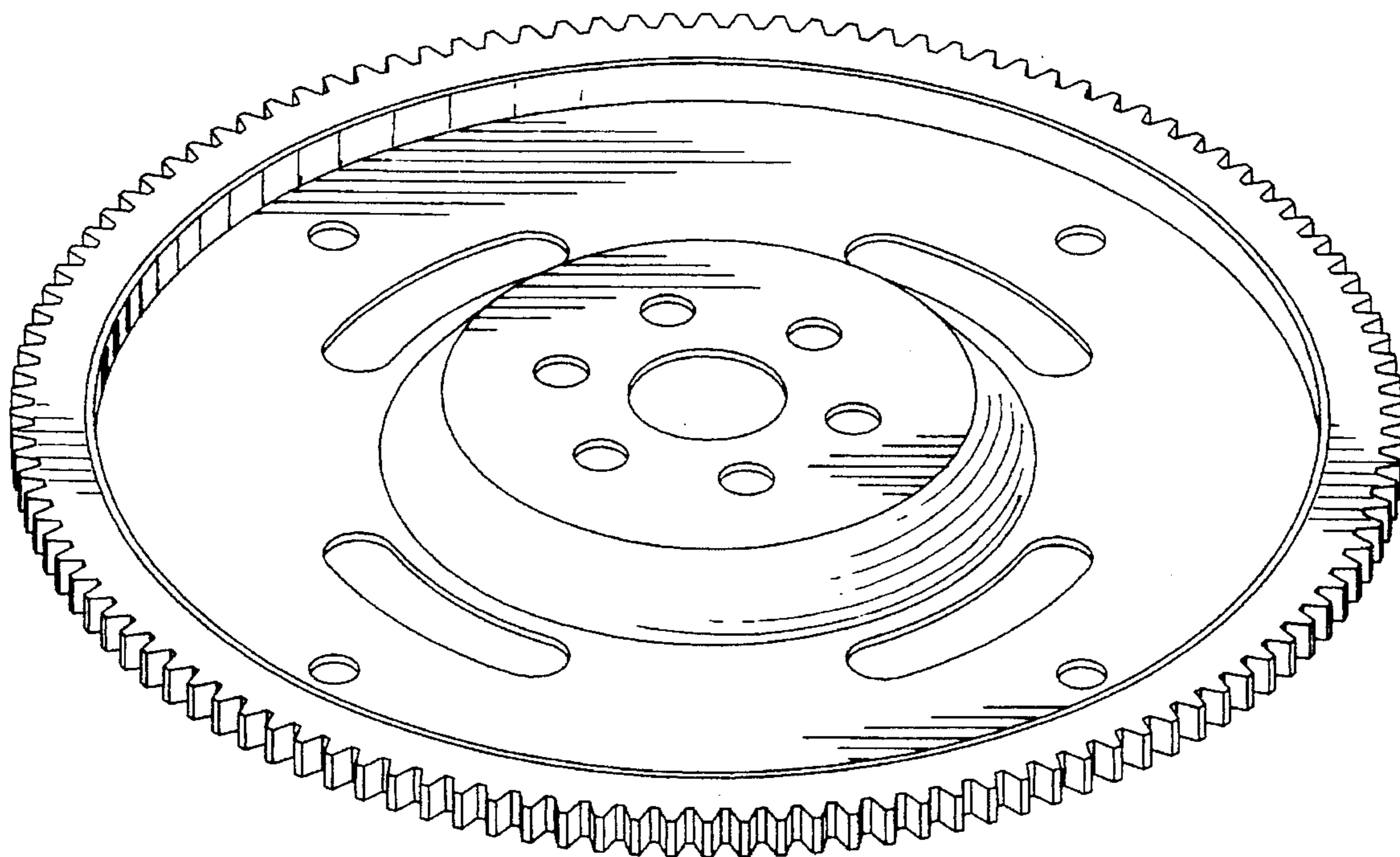


FIG. 6

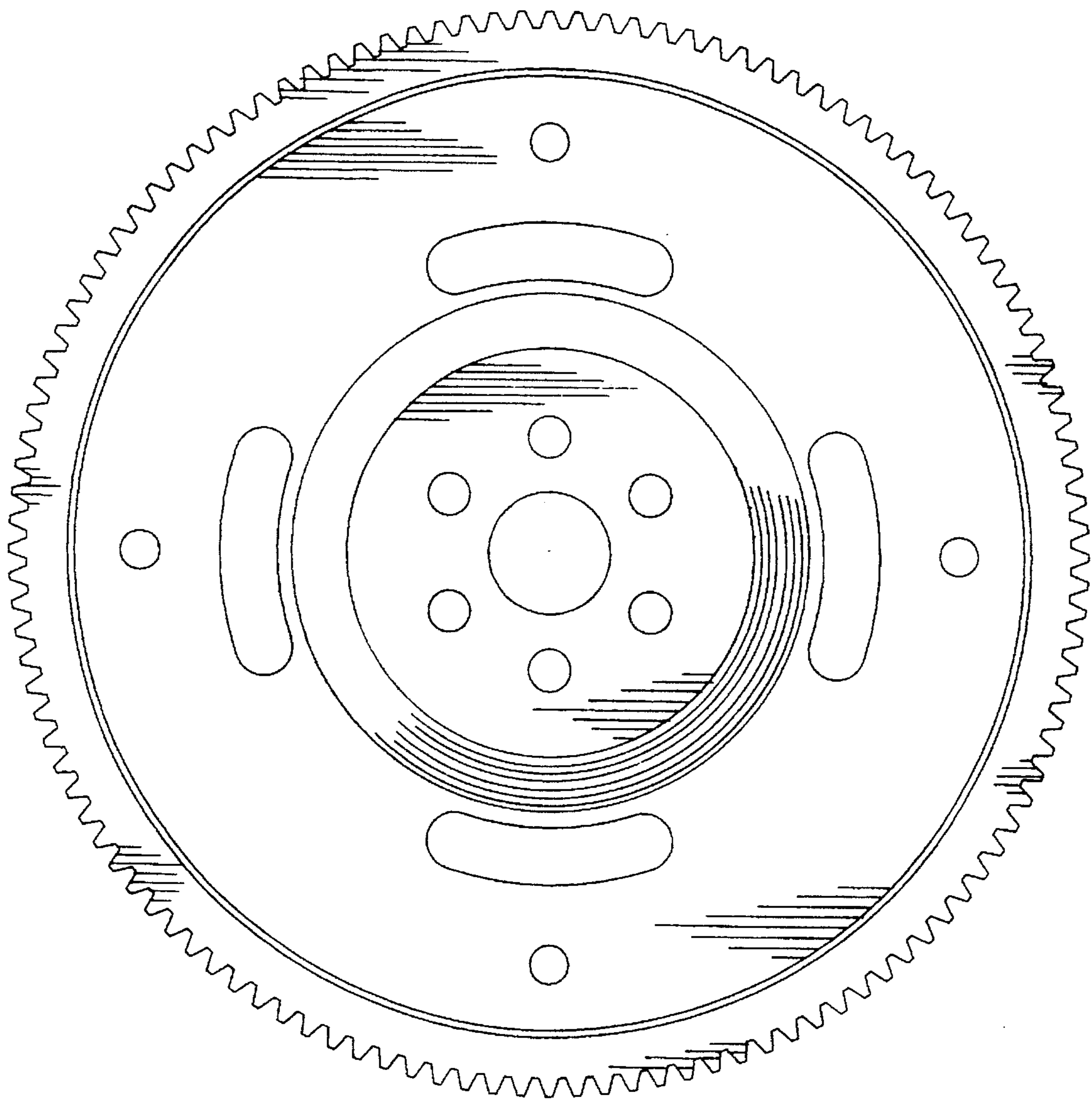


FIG. 7

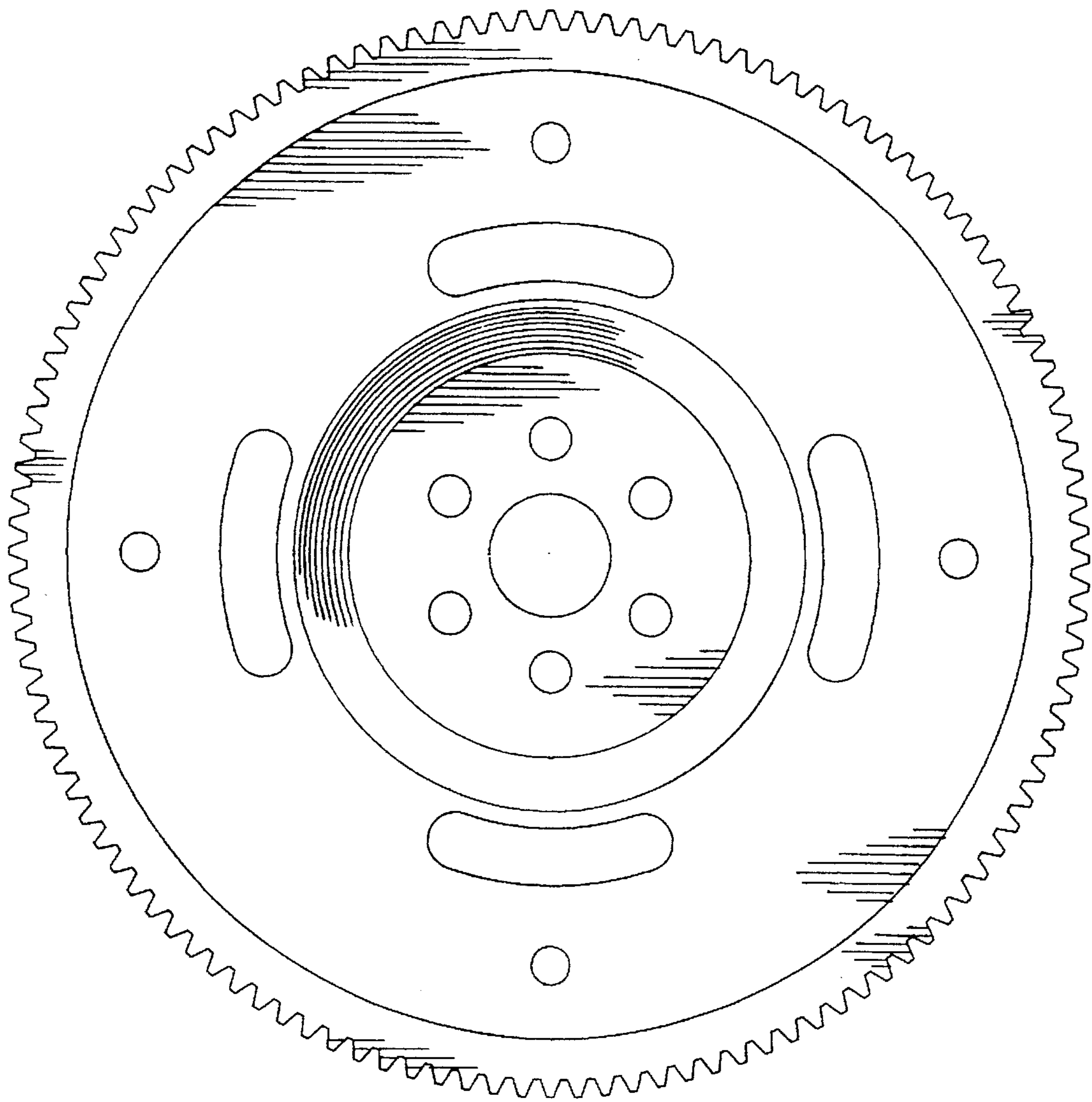


FIG. 8



FIG. 9

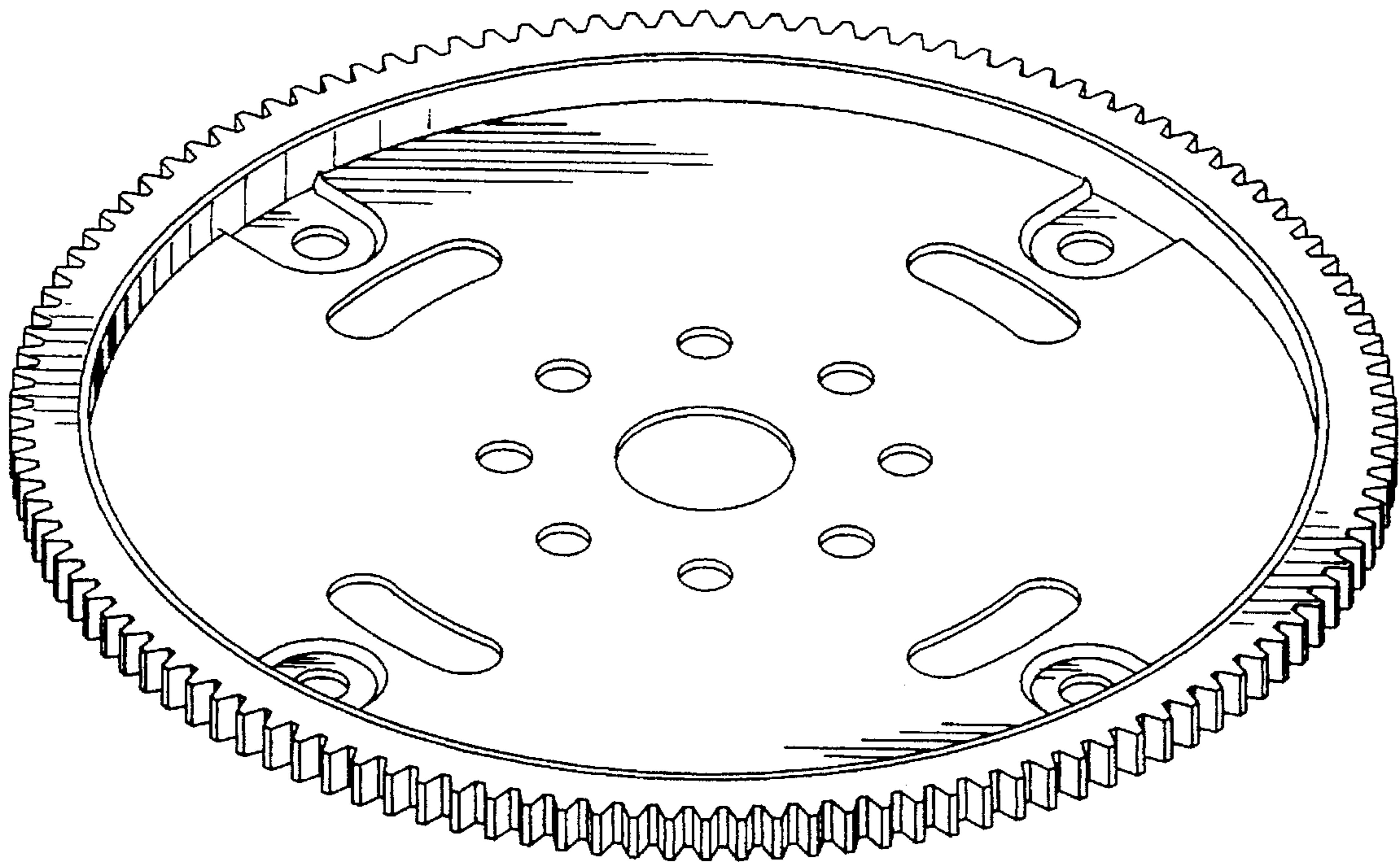


FIG. 10

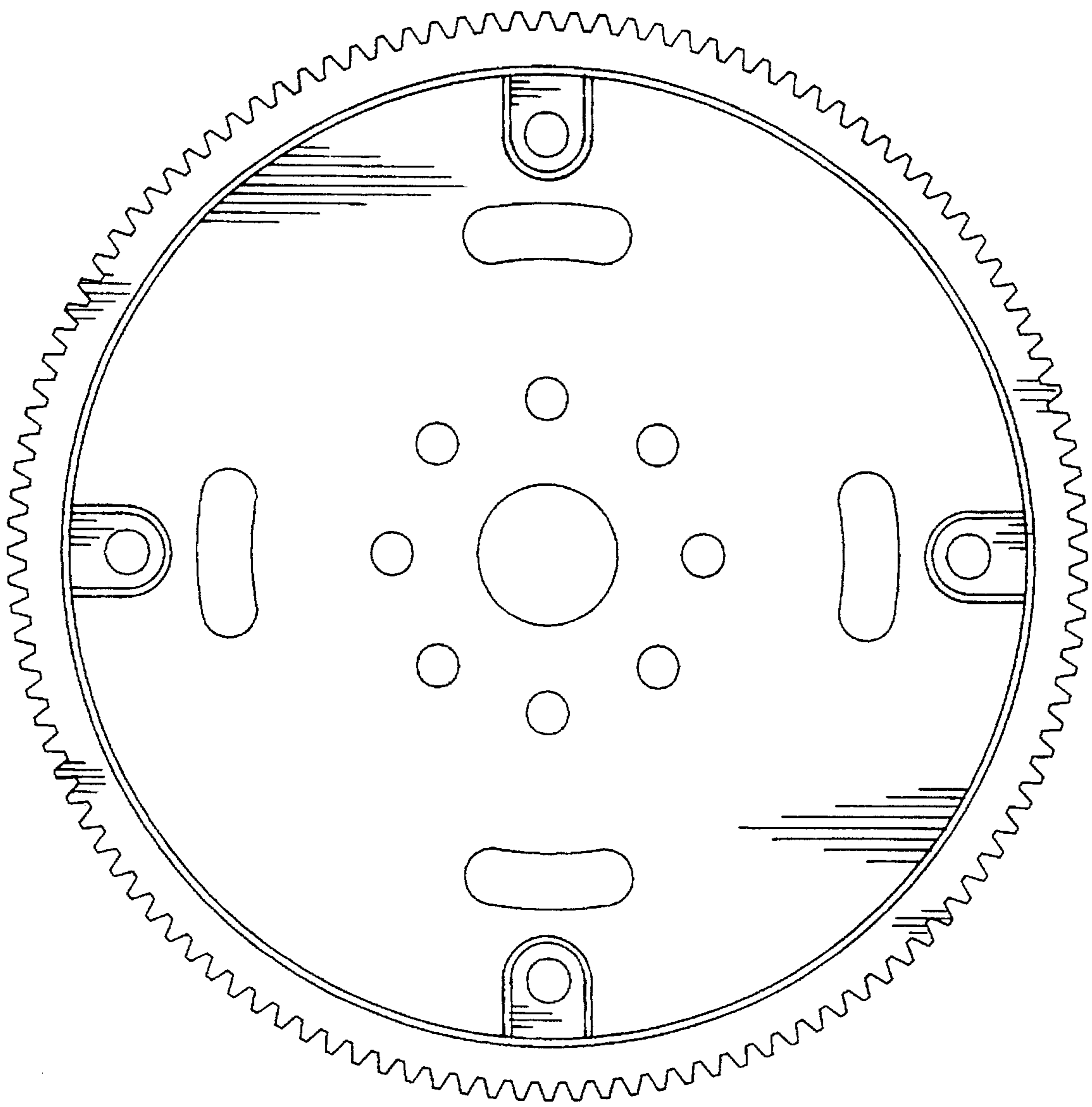


FIG. 11

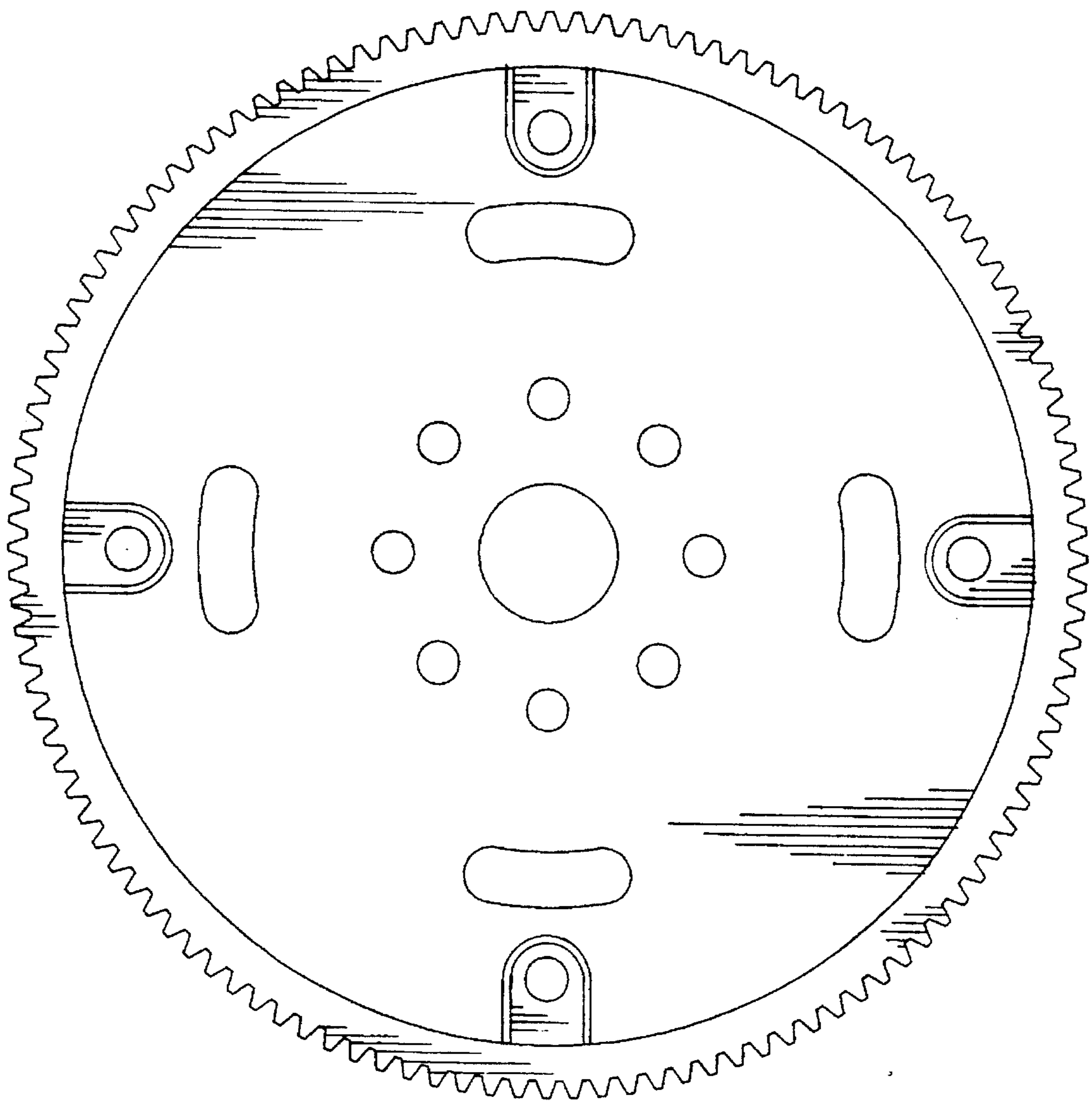


FIG. 12

