



US00D373368S

United States Patent [19]

[11] Patent Number: **Des. 373,368**

Matsui et al.

[45] Date of Patent: ****Sep. 3, 1996**

[54] **DRIVE PLATE FOR A MOTOR VEHICLE**

[75] Inventors: **Hideki Matsui; Mitsuyoshi Matsuno; Eiji Okamoto; Hiroshi Watanabe**, all of Shizuoka-ken, Japan

[73] Assignee: **Fujikiko Kabushiki Kaisha**, Tokyo, Japan

[**] Term: **14 Years**

[21] Appl. No.: **40,822**

[22] Filed: **Jun. 27, 1995**

[30] **Foreign Application Priority Data**

Dec. 27, 1994	[JP]	Japan	6-39531
Jan. 31, 1995	[JP]	Japan	7-1976
Feb. 28, 1995	[JP]	Japan	7-5131
Feb. 28, 1995	[JP]	Japan	7-5132
Feb. 28, 1995	[JP]	Japan	7-5133
Feb. 28, 1995	[JP]	Japan	7-5134
Feb. 28, 1995	[JP]	Japan	7-5135
Feb. 28, 1995	[JP]	Japan	7-5136
Feb. 28, 1995	[JP]	Japan	7-5137

[52] U.S. Cl. **D15/148**

[58] Field of Search D15/148, 149; 74/606 R, 820

[56] **References Cited**

U.S. PATENT DOCUMENTS

D. 288,694	3/1987	Dobbertin	D15/148
3,170,333	2/1965	Umbricht	74/820 X
3,750,494	8/1973	Rice	74/820
4,416,165	11/1983	Kramer et al.	74/820 X

Primary Examiner—Antoine Duval Davis
Attorney, Agent, or Firm—Saidman DesignLaw Group

[57] **CLAIM**

The ornamental design for a drive plate for a motor vehicle, as shown and described.

DESCRIPTION

FIG. 1 is a perspective view of a drive plate for a motor vehicle showing our new design;

FIG. 2 is a front plan view thereof;
 FIG. 3 is a rear plan view thereof;
 FIG. 4 is a side view thereof;
 FIG. 5 is a perspective view of a second embodiment showing our new design;
 FIG. 6 is a front plan view thereof;
 FIG. 7 is a rear plan view thereof;
 FIG. 8 is a side view thereof;
 FIG. 9 is a perspective view of a third embodiment showing our new design;
 FIG. 10 is a front plan view thereof;
 FIG. 11 is a rear plan view thereof;
 FIG. 12 is a side view thereof;
 FIG. 13 is a perspective view of a fourth embodiment showing our new design;
 FIG. 14 is a front plan view thereof;
 FIG. 15 is a rear plan view thereof;
 FIG. 16 is a side view thereof;
 FIG. 17 is a perspective view of a fifth embodiment showing our new design;
 FIG. 18 is a front plan view thereof;
 FIG. 19 is a rear plan view thereof;
 FIG. 20 is a side view thereof;
 FIG. 21 is a perspective view of a sixth embodiment showing our new design;
 FIG. 22 is a front plan view thereof;
 FIG. 23 is a rear plan view thereof;
 FIG. 24 is a side view thereof;
 FIG. 25 is a perspective view of a seventh embodiment showing our new design;
 FIG. 26 is a front plan view thereof;
 FIG. 27 is a rear plan view thereof;
 FIG. 28 is a side view thereof;
 FIG. 29 is a perspective view of an eighth embodiment showing our new design;
 FIG. 30 is a front plan view thereof;
 FIG. 31 is a rear plan view thereof;
 FIG. 32 is a side view thereof;
 FIG. 33 is a perspective view of a ninth embodiment showing our new design;
 FIG. 34 is a front plan view thereof;
 FIG. 35 is a rear plan view thereof; and,
 FIG. 36 is a side view thereof.

1 Claim, 36 Drawing Sheets

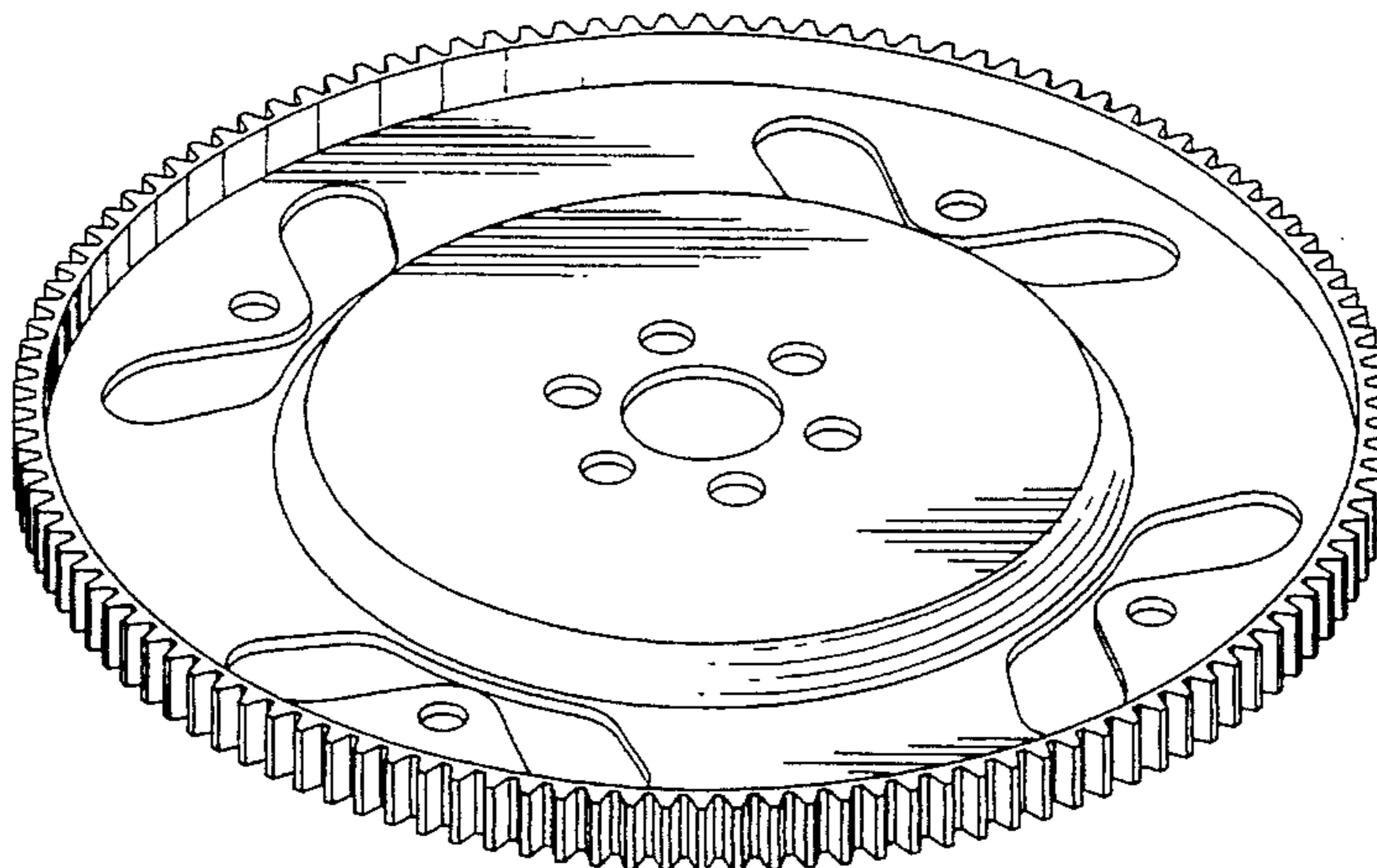


FIG. 1

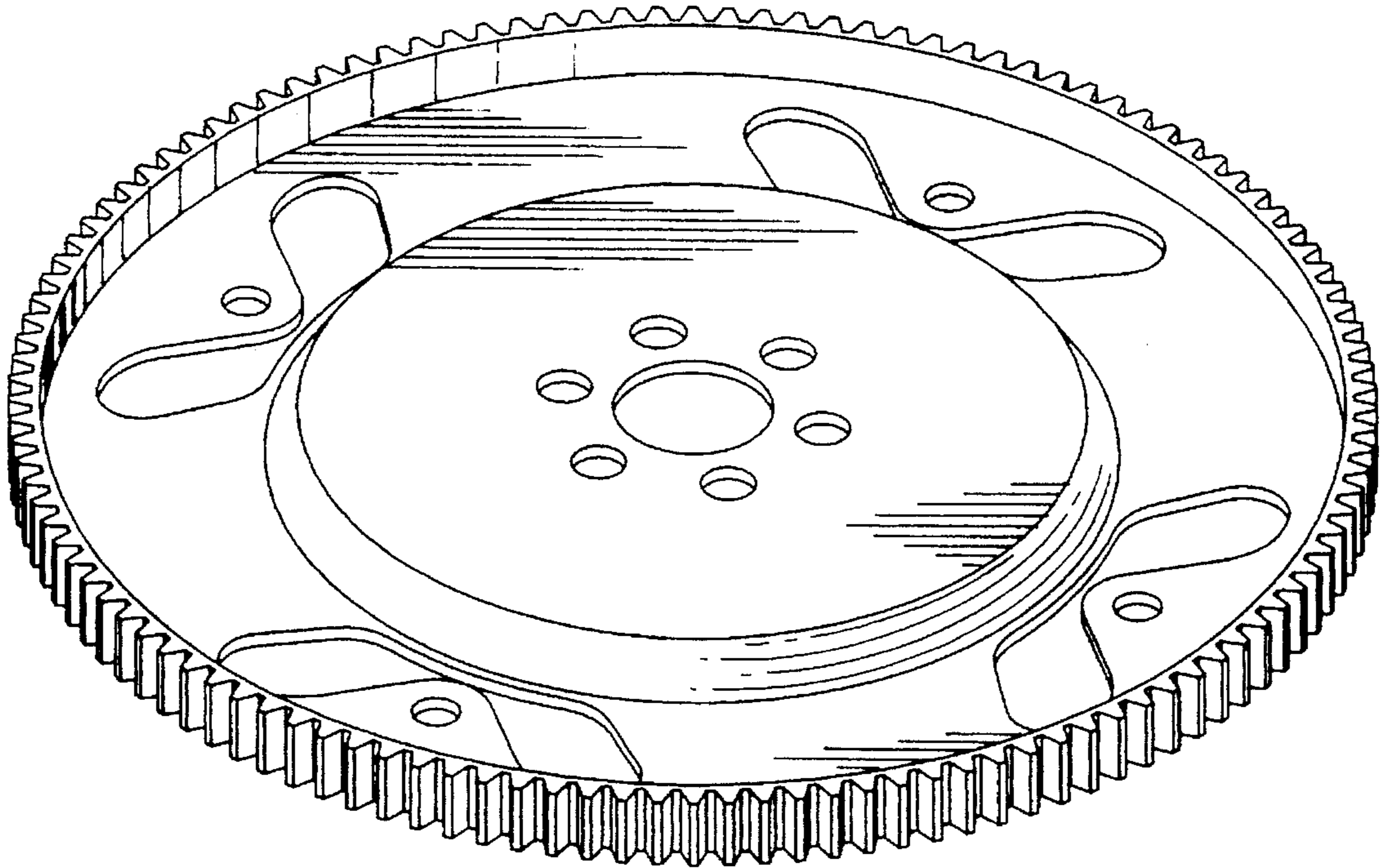


FIG. 2

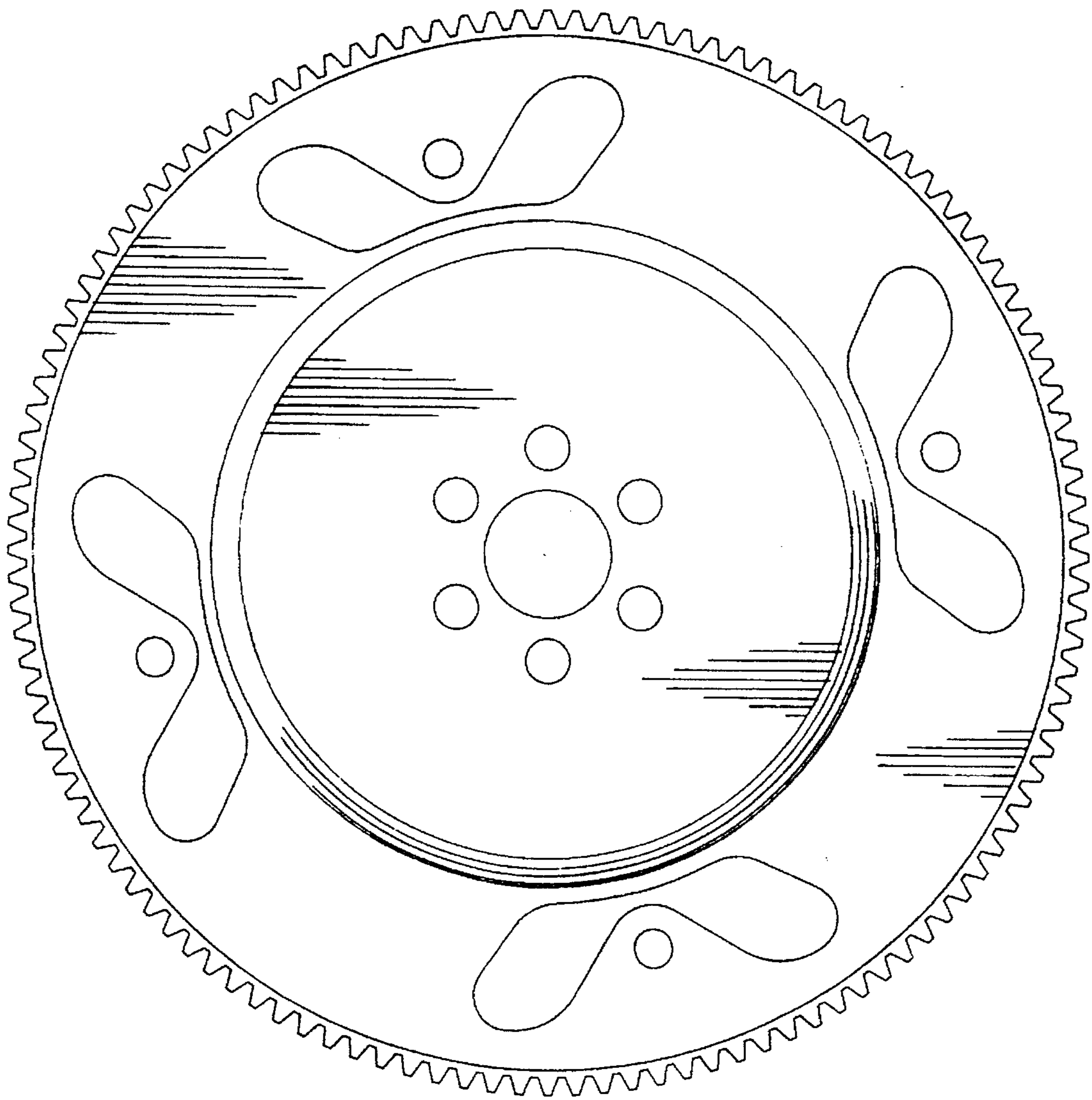


FIG. 3

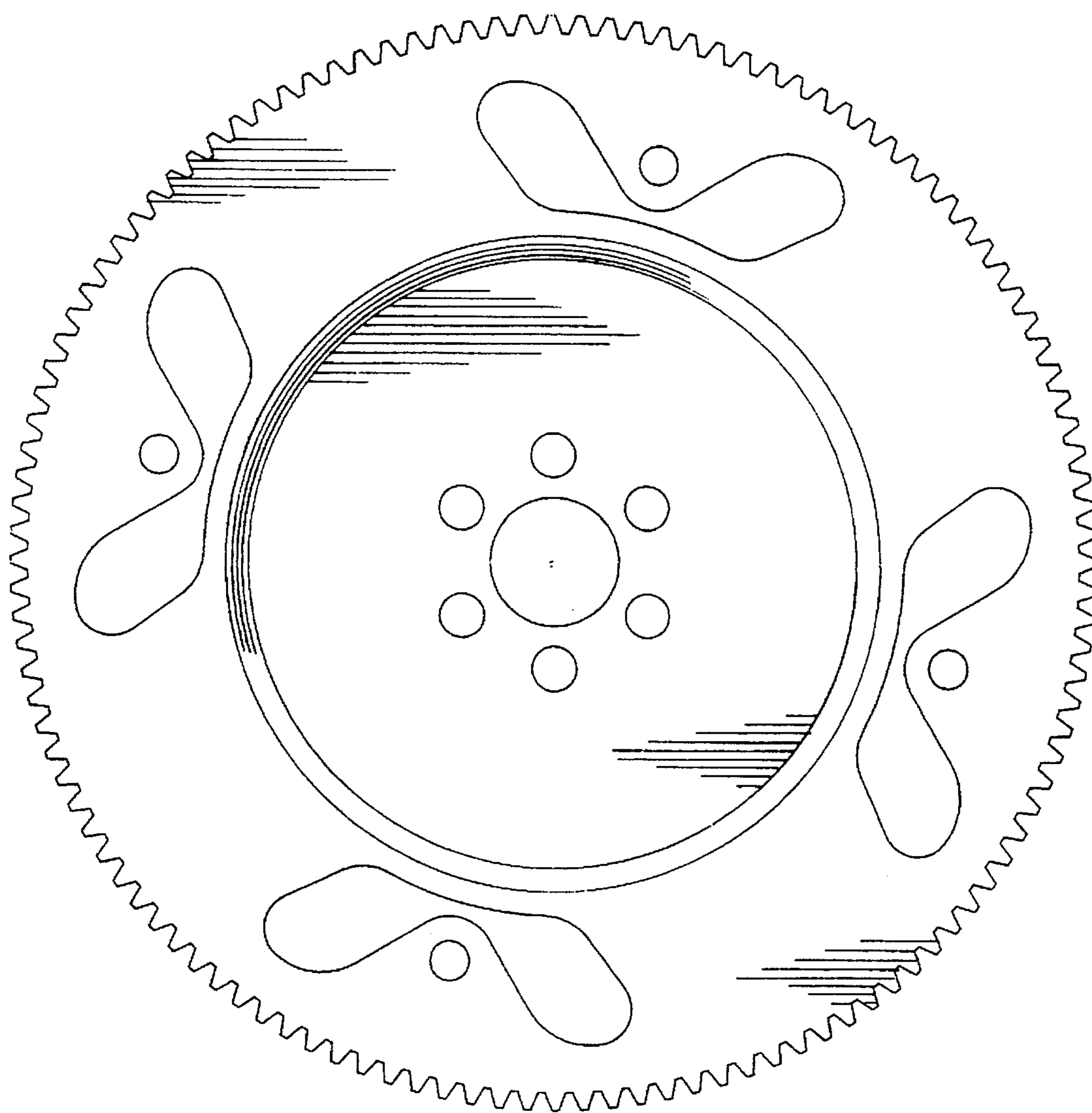


FIG. 4

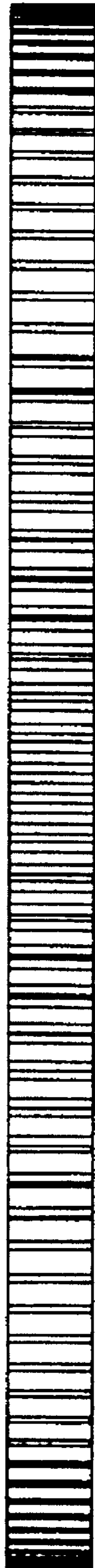


FIG. 5

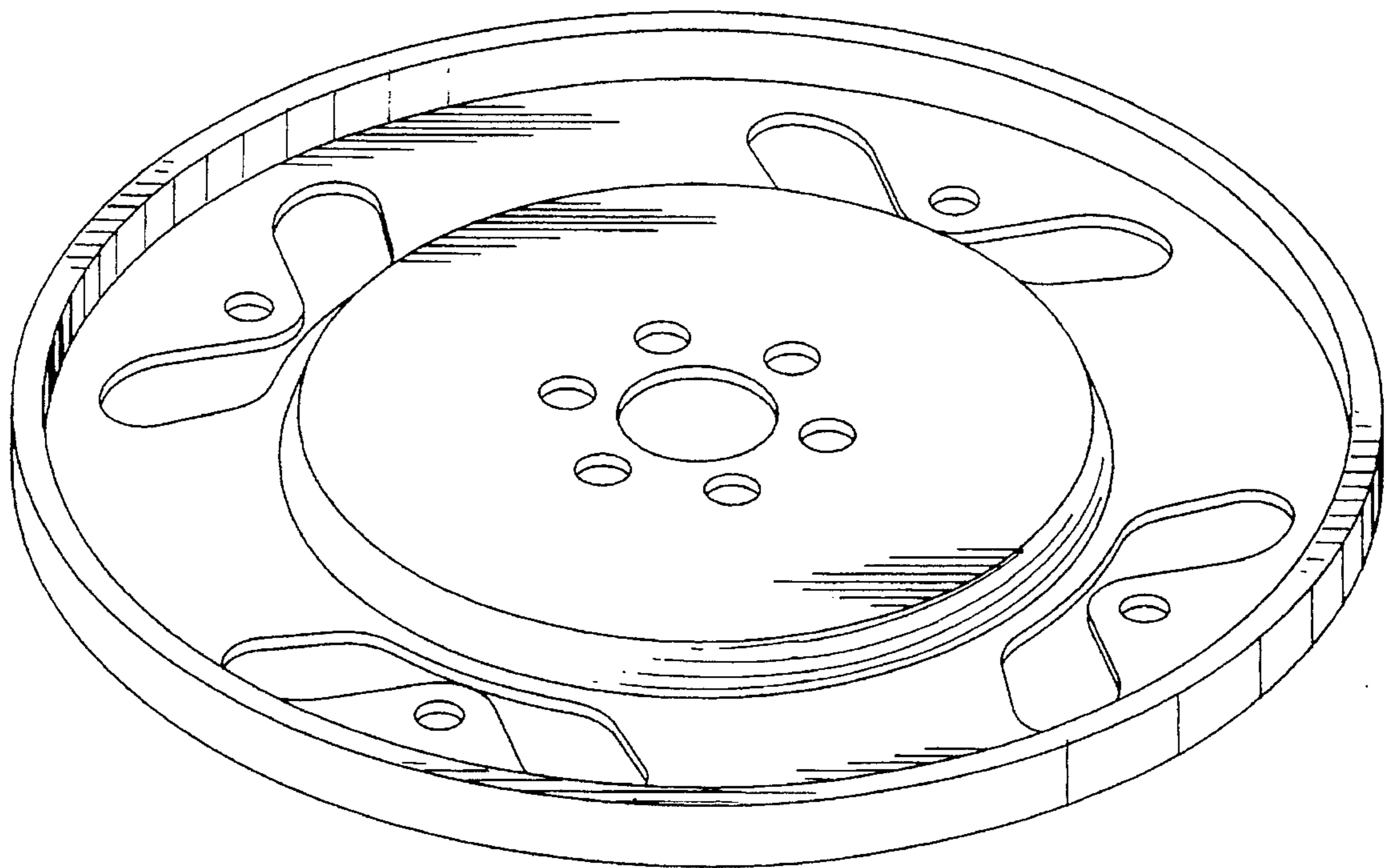


FIG. 6

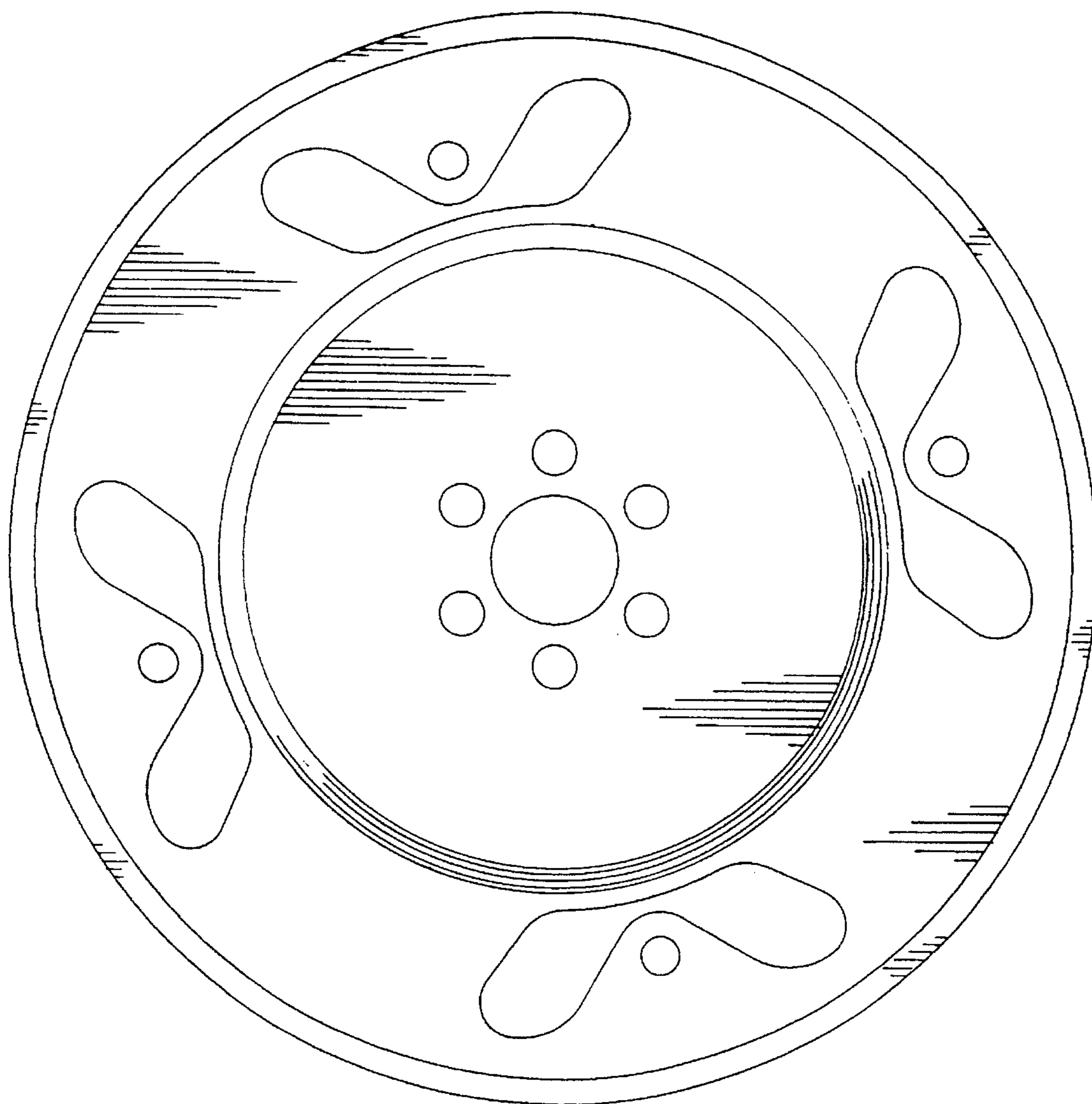


FIG. 7

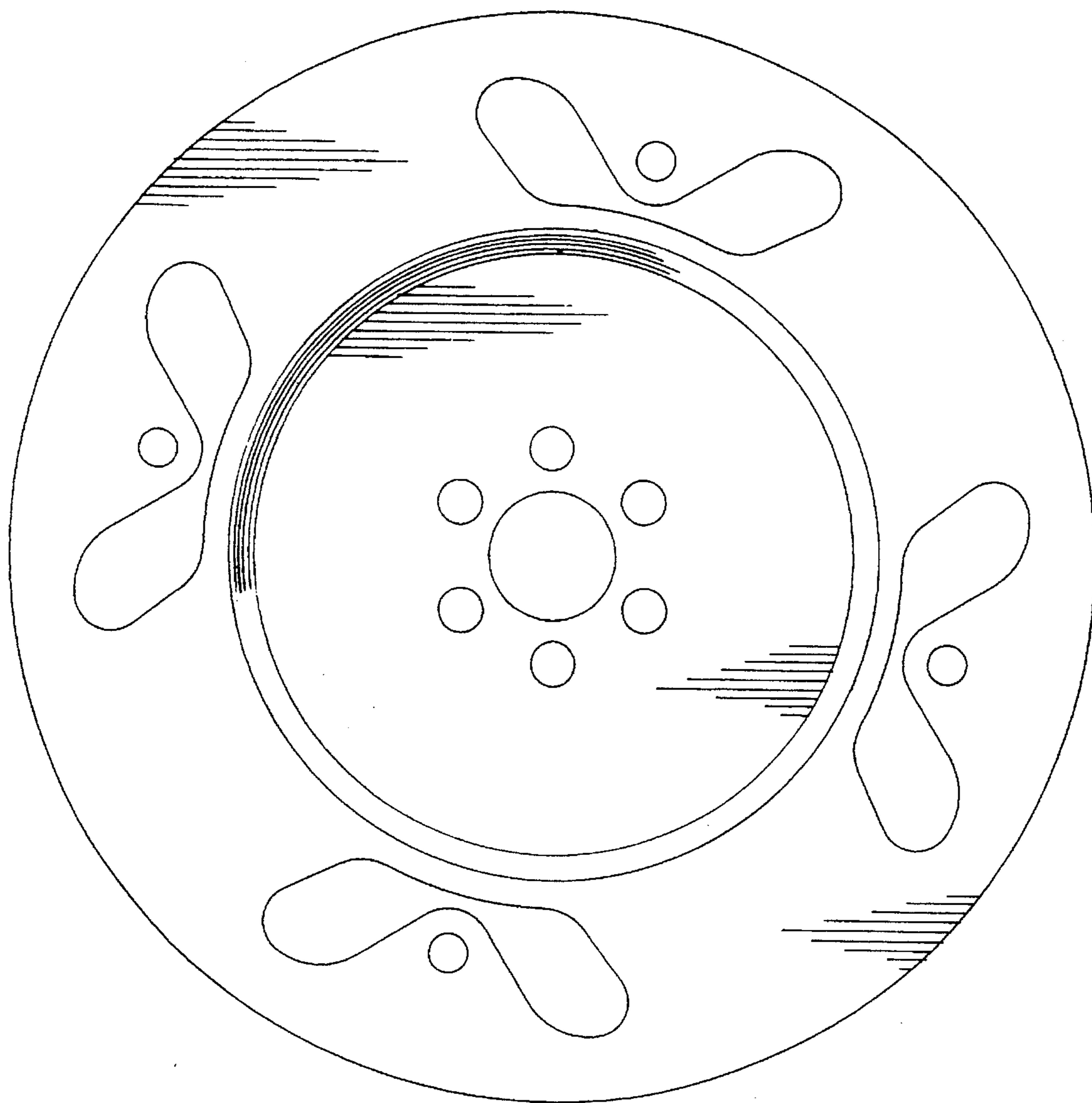


FIG. 8

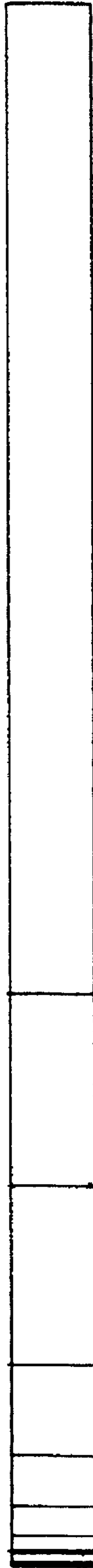


FIG. 9

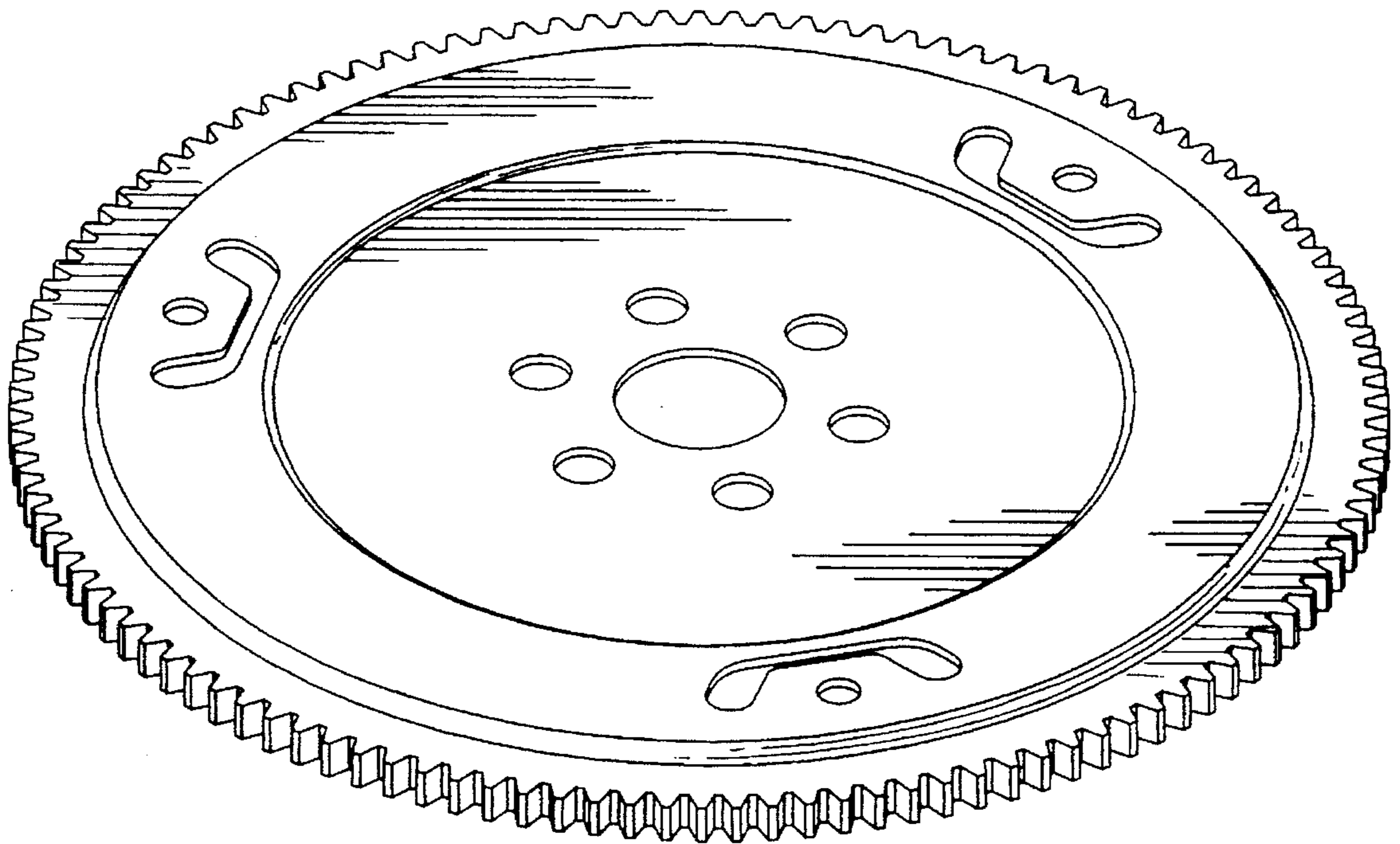


FIG. 10

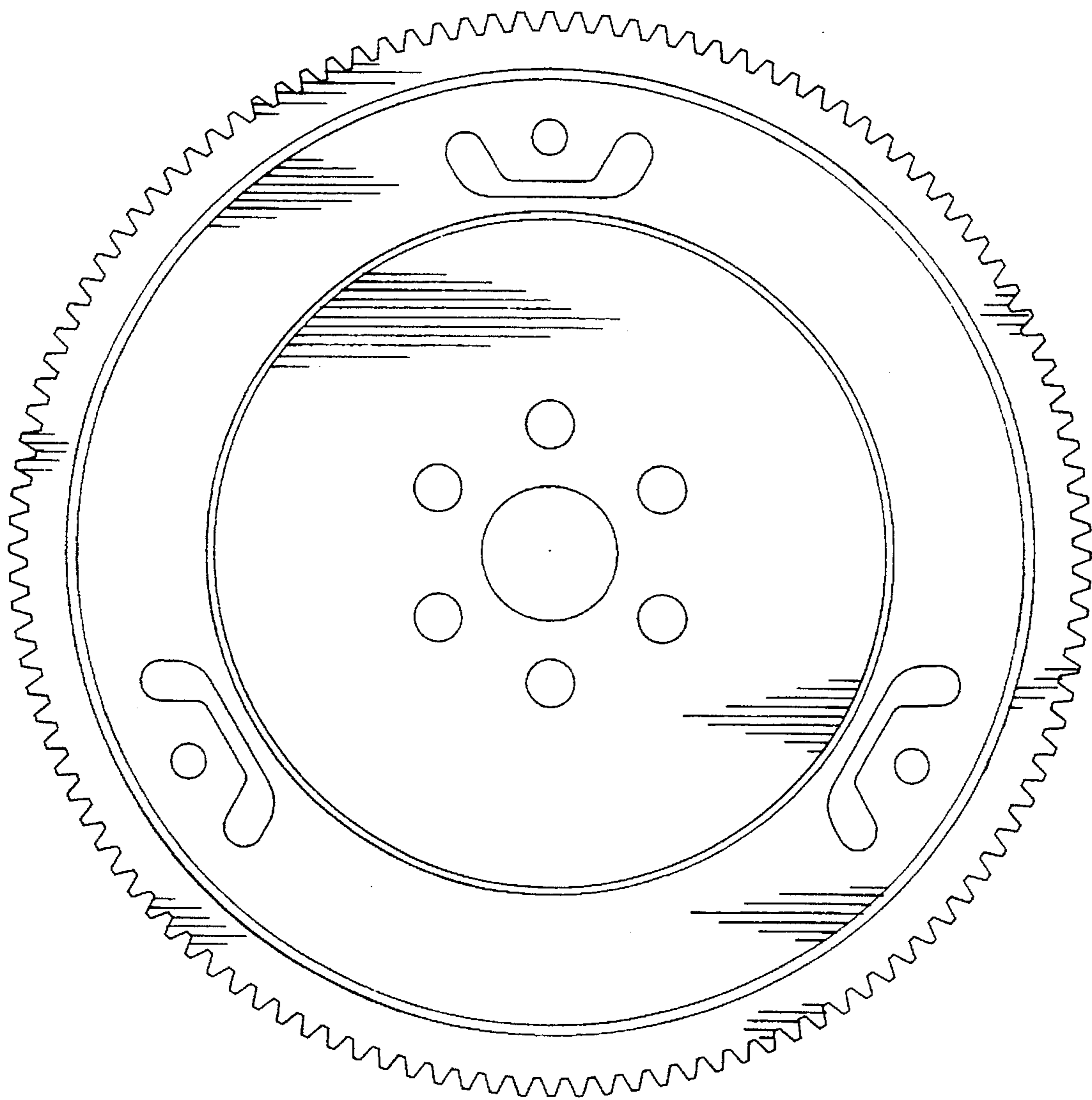


FIG. 11

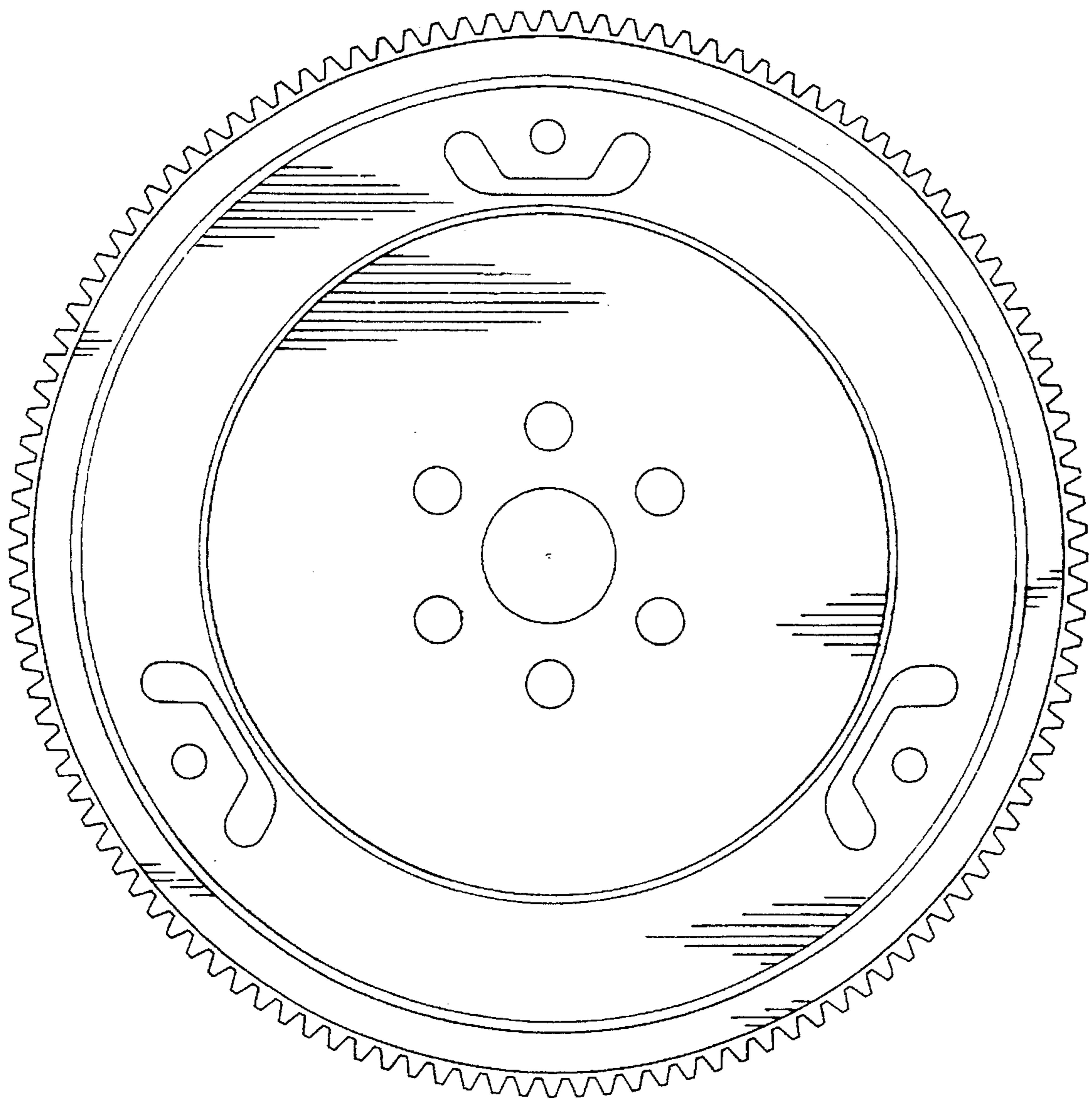


FIG. 12



FIG. 13

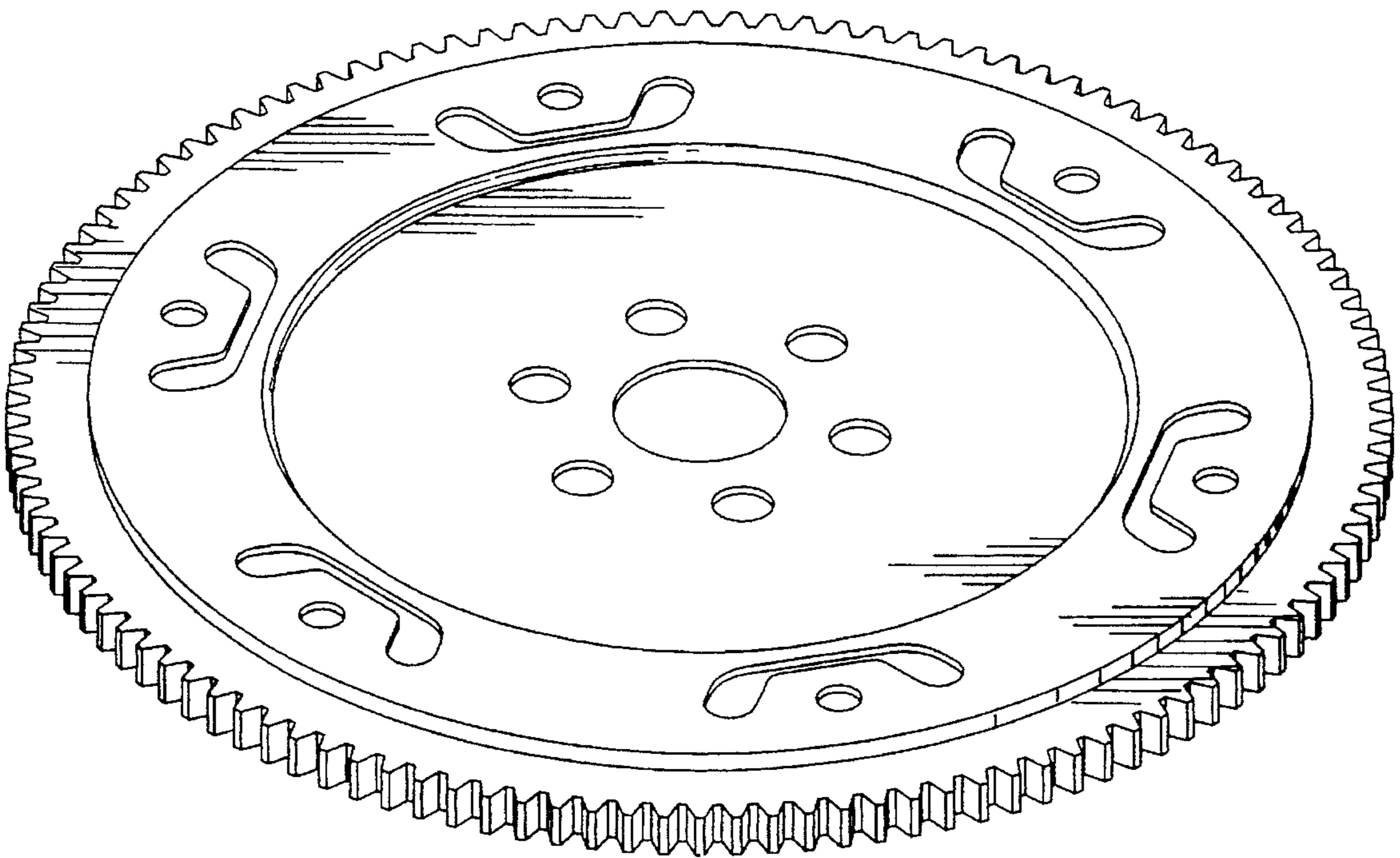


FIG. 14

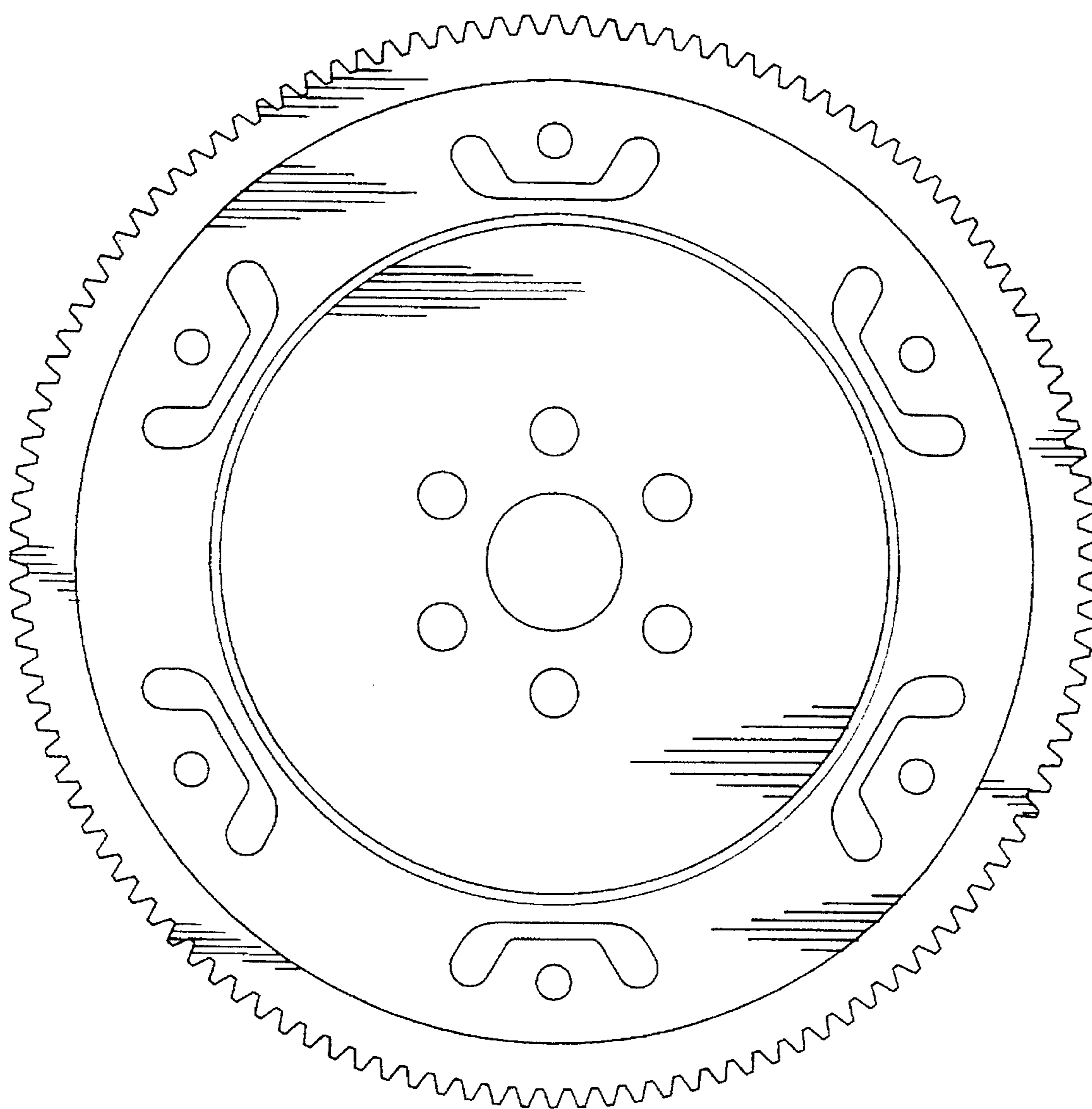


FIG. 15

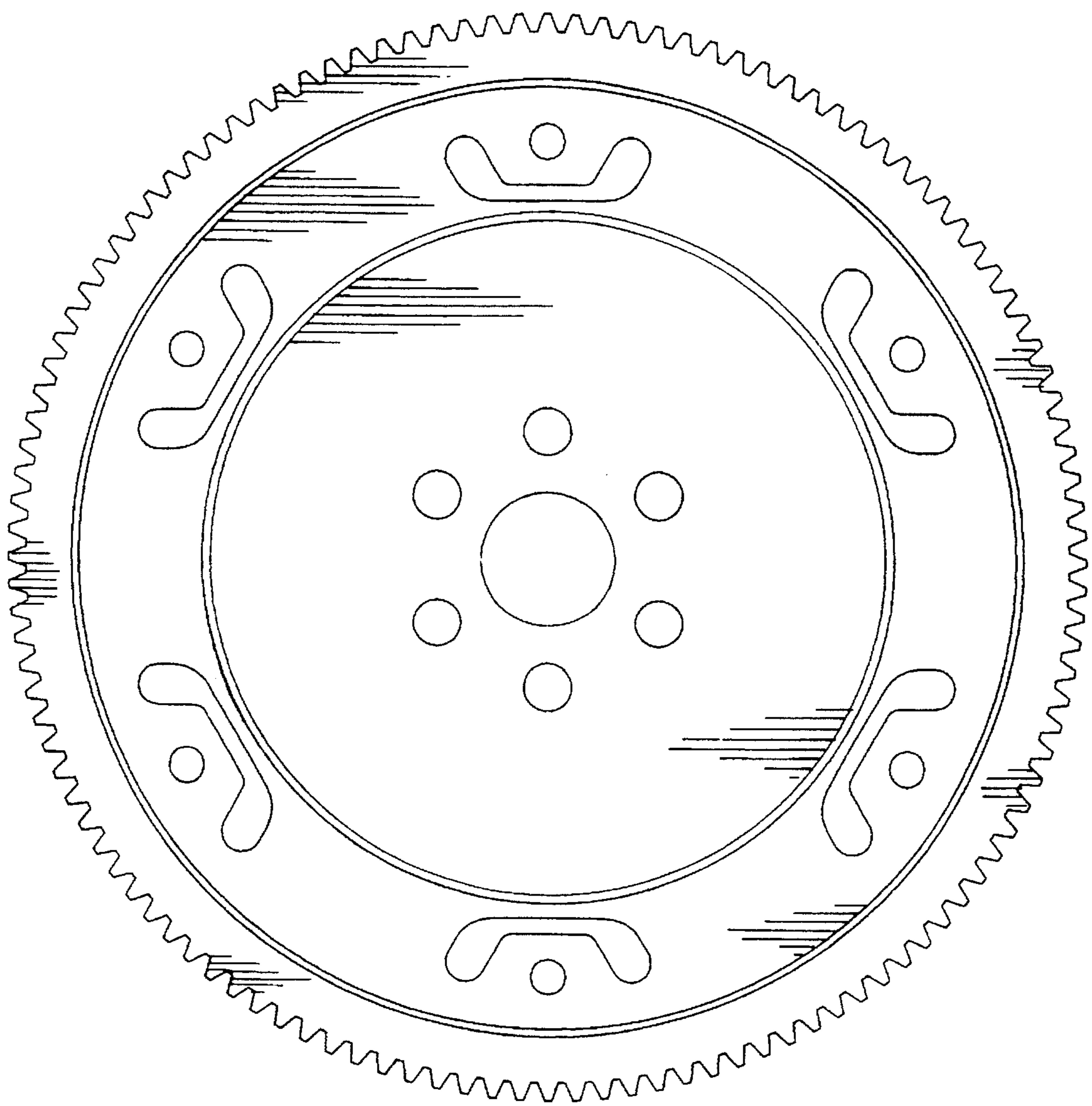


FIG. 16



FIG. 17

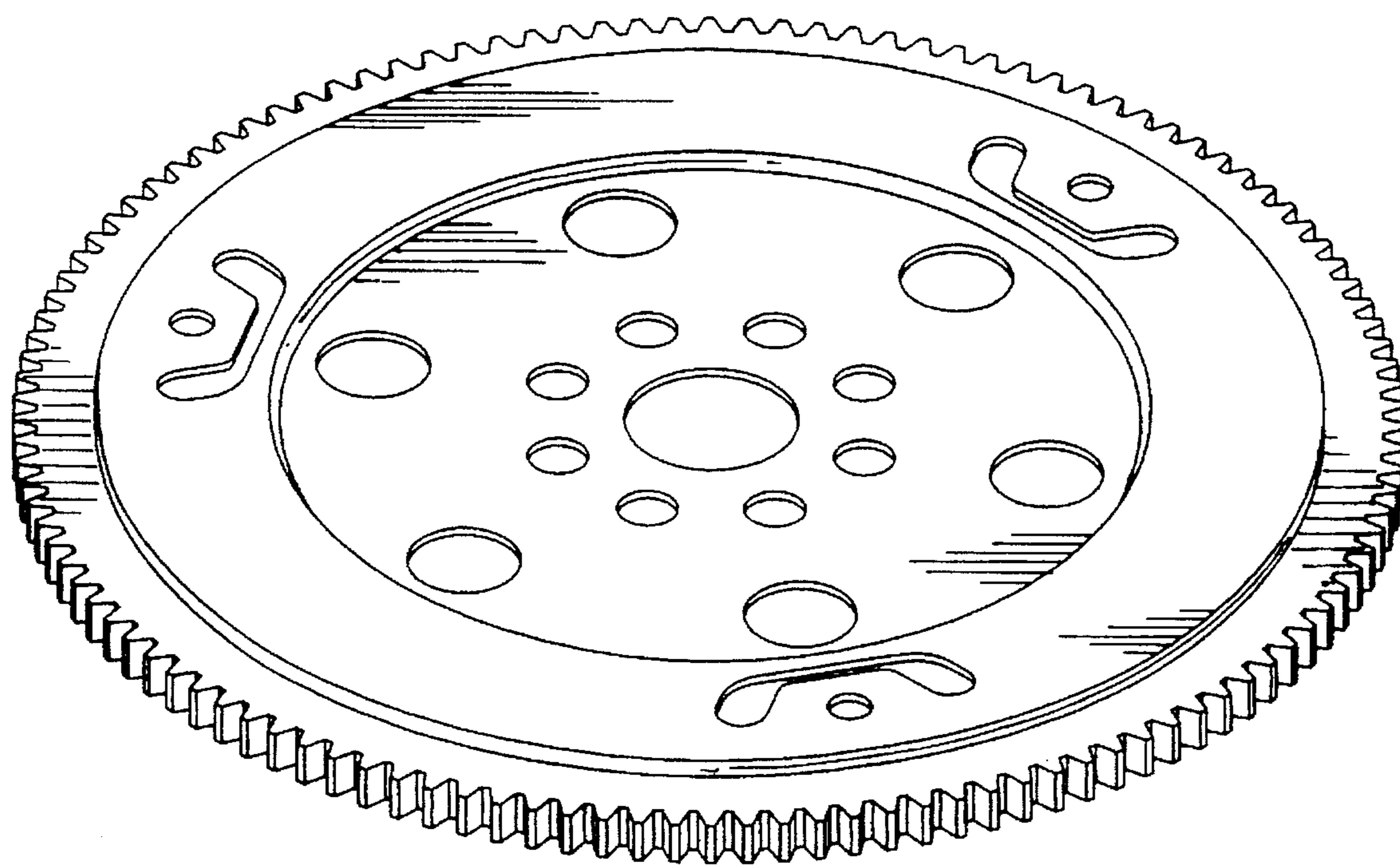


FIG. 18

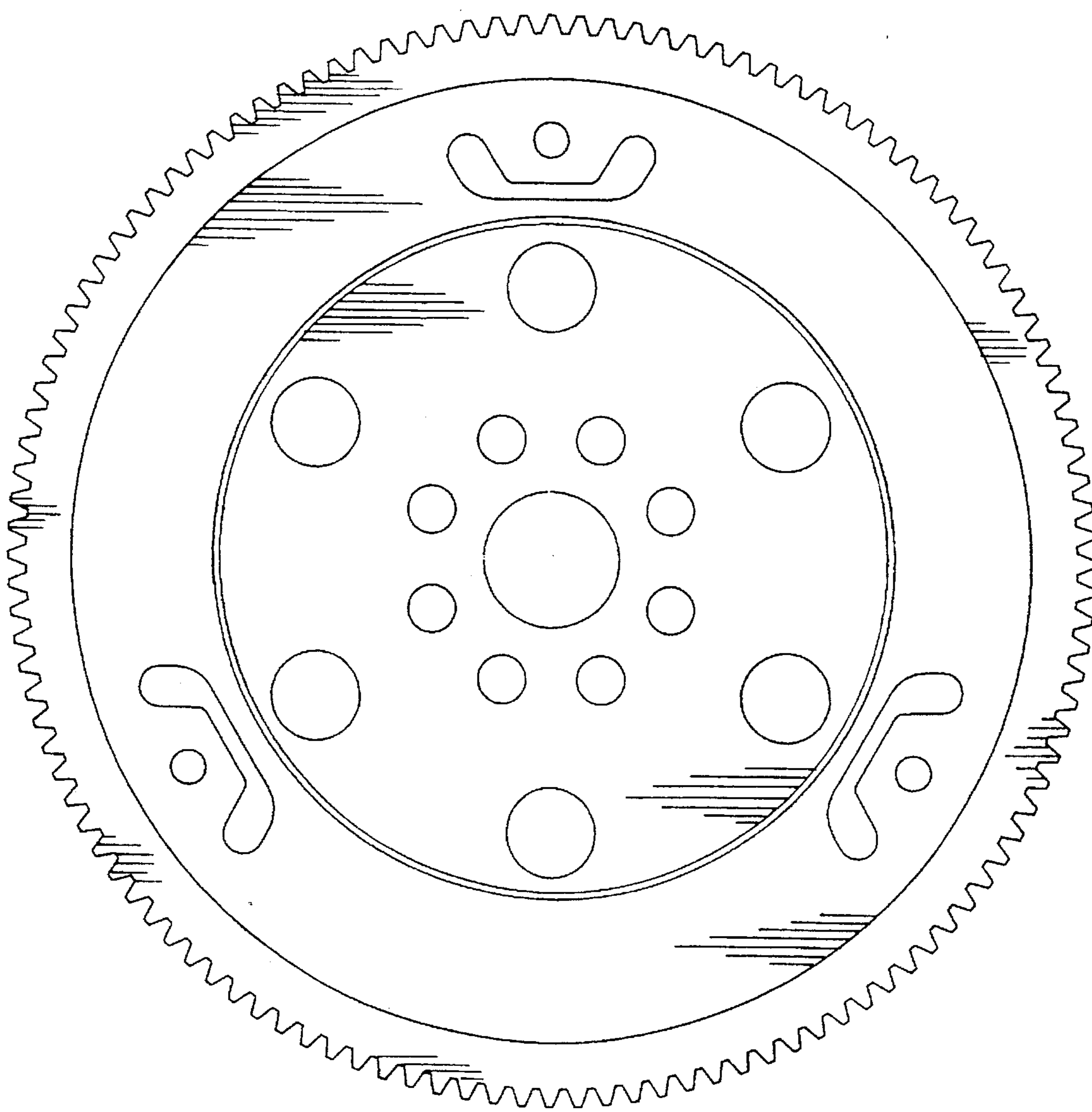


FIG. 19

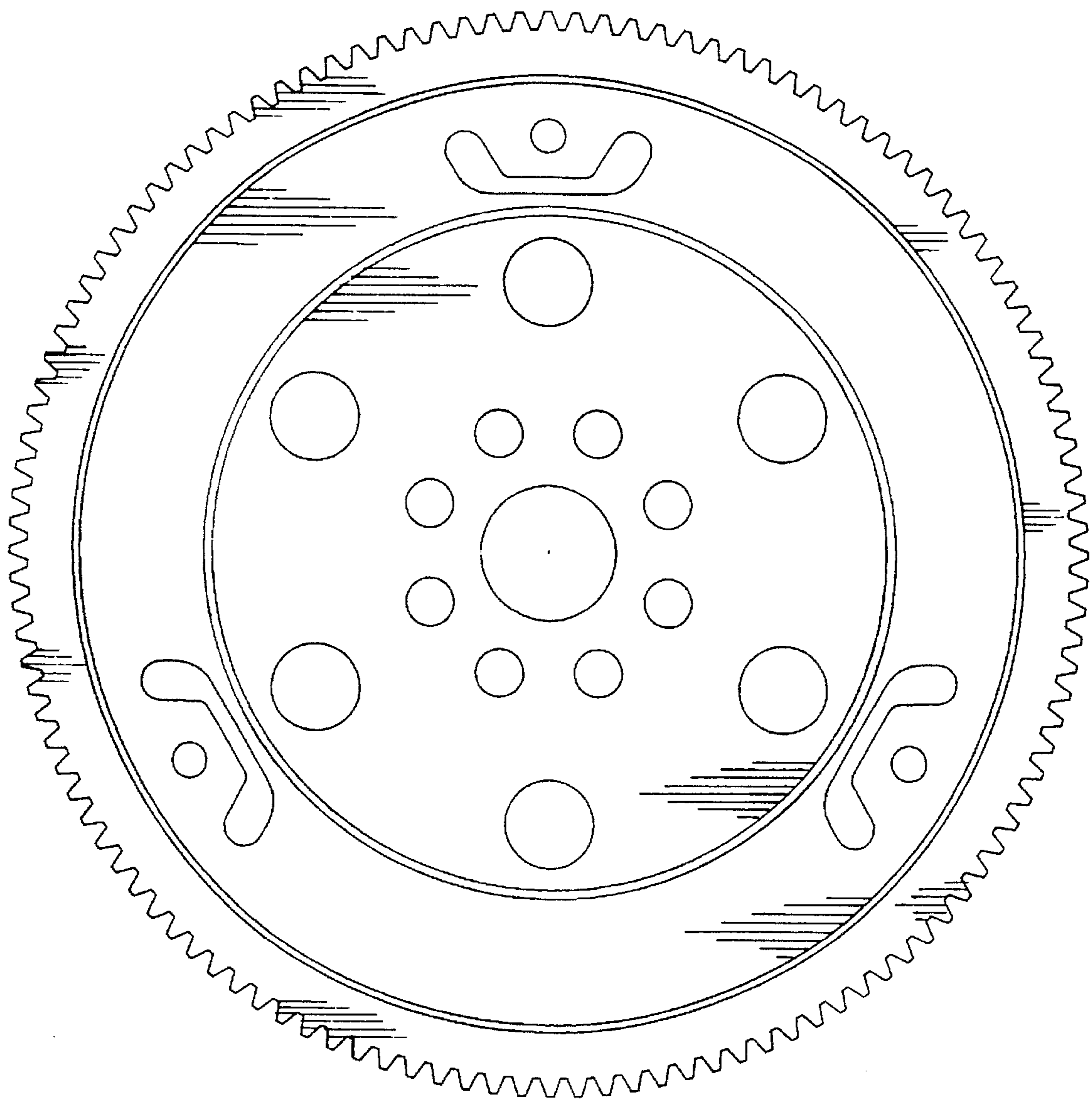


FIG. 20



FIG. 21

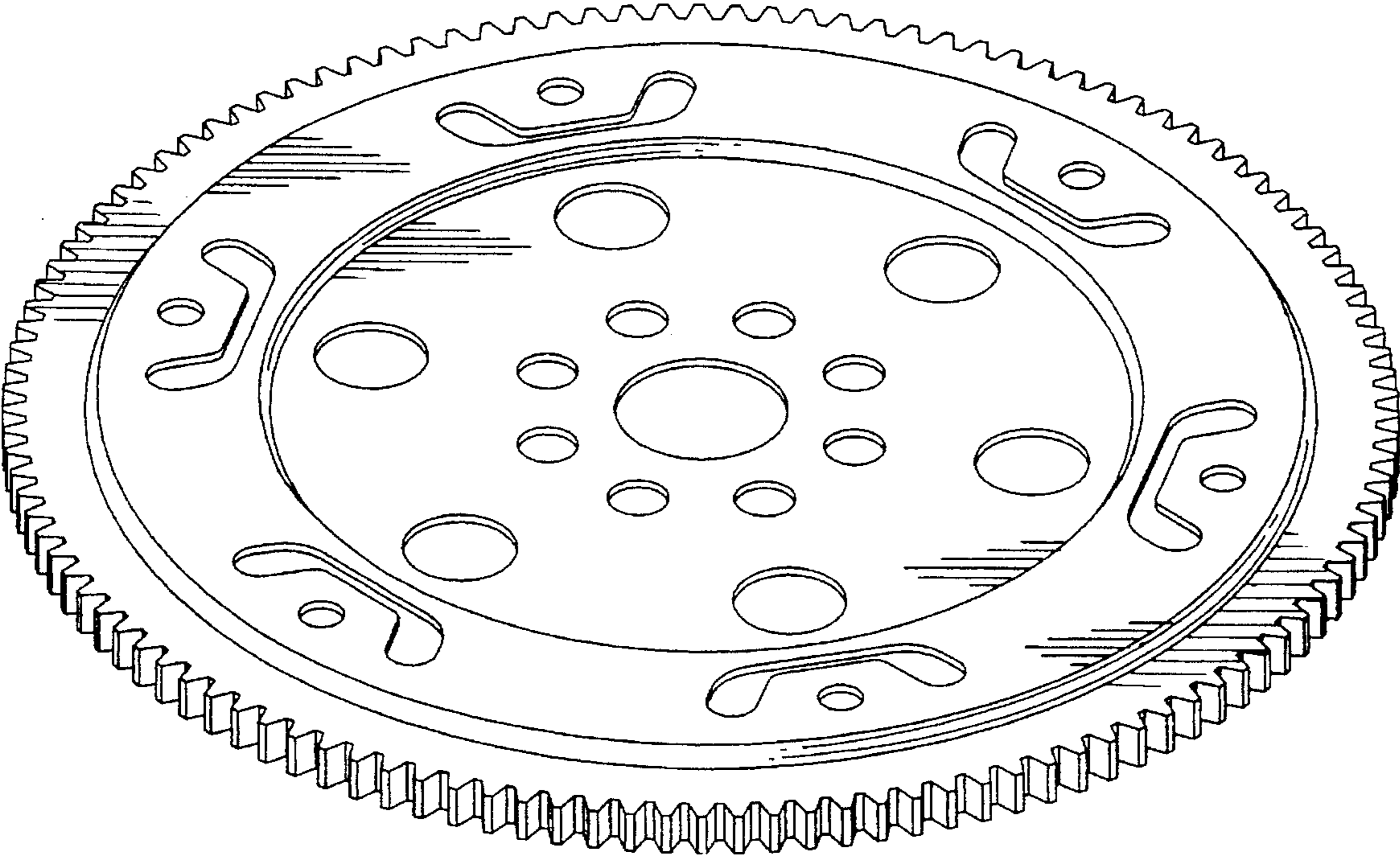


FIG. 22

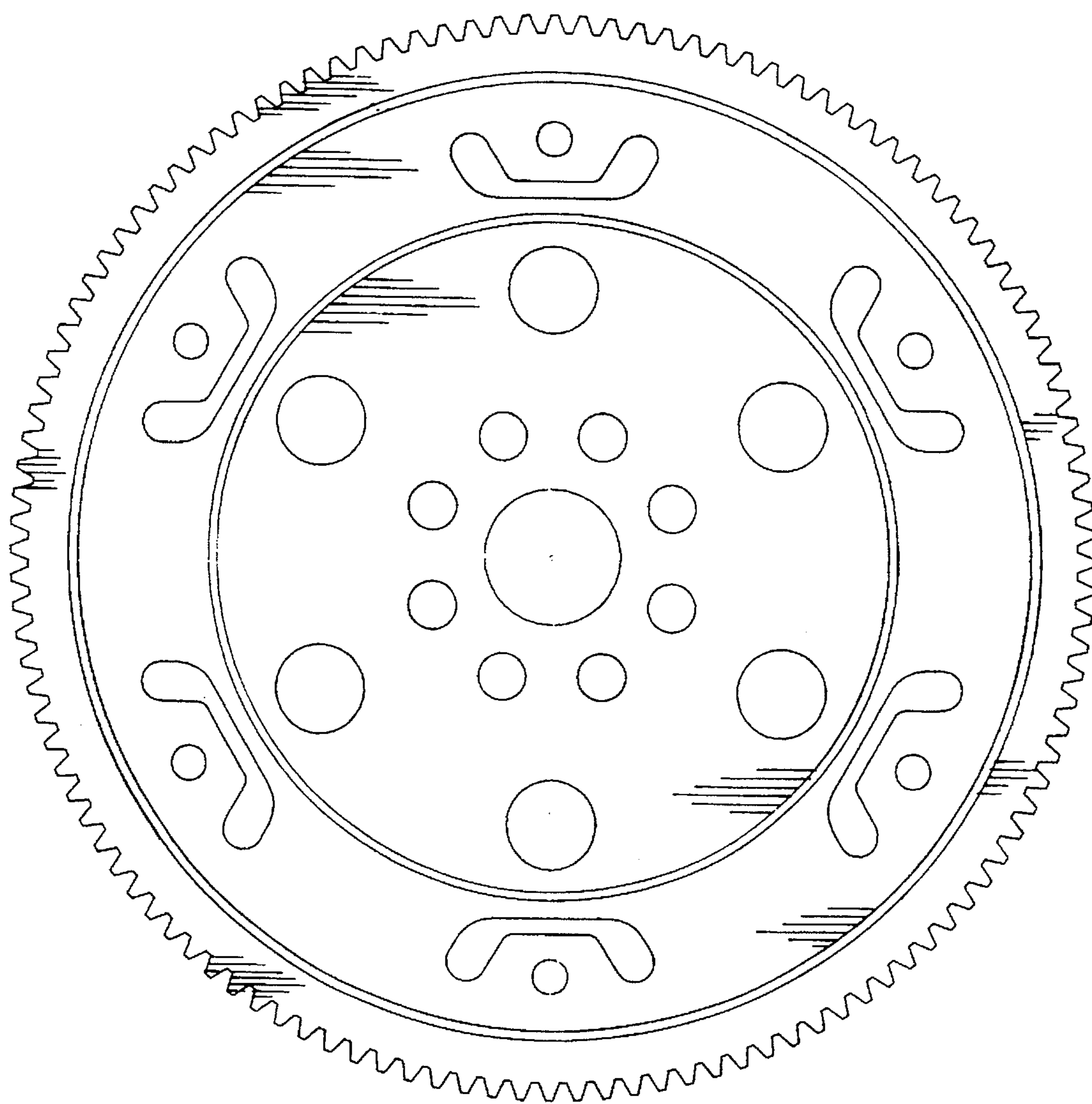


FIG. 23

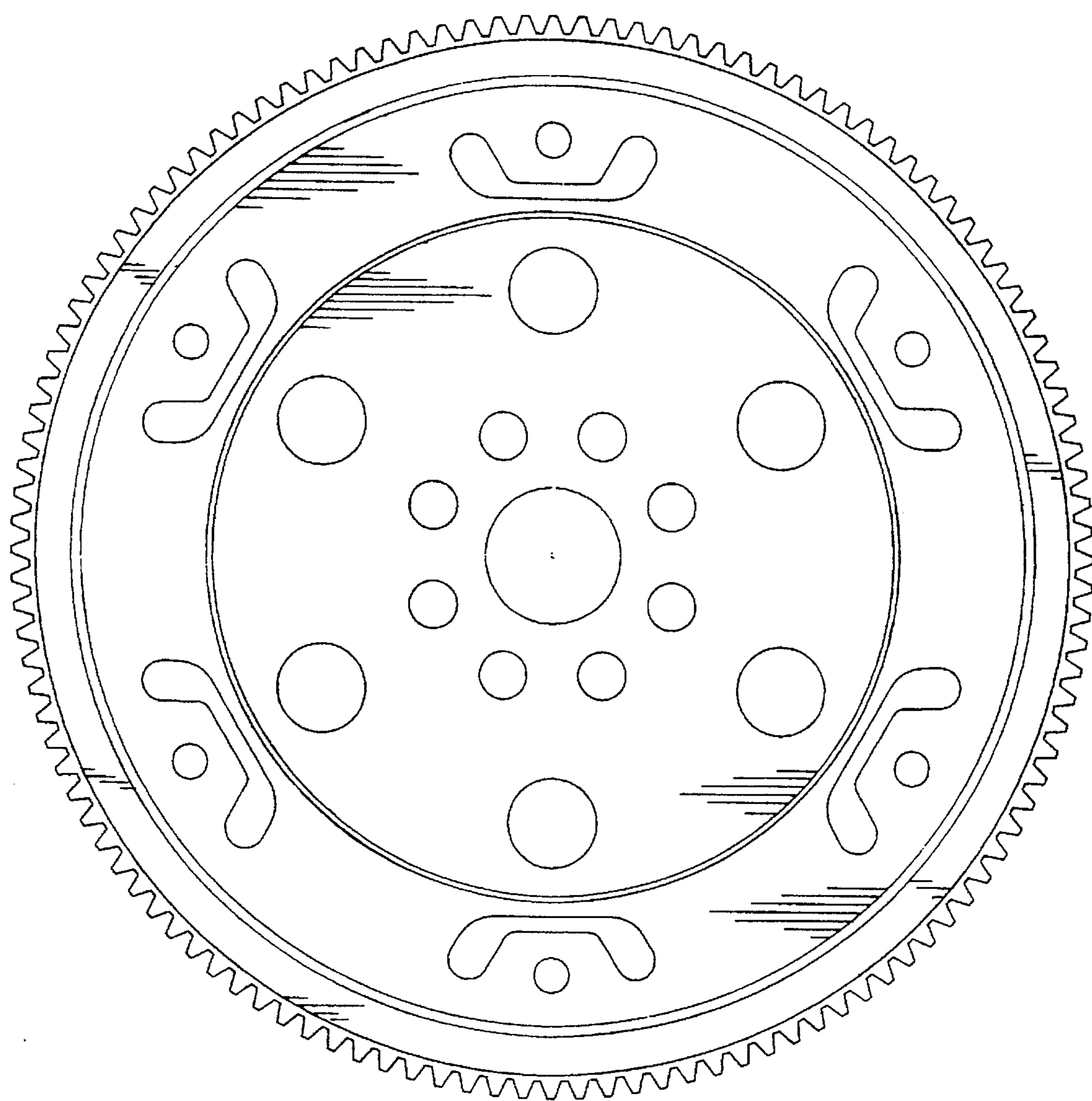


FIG. 24



FIG. 25

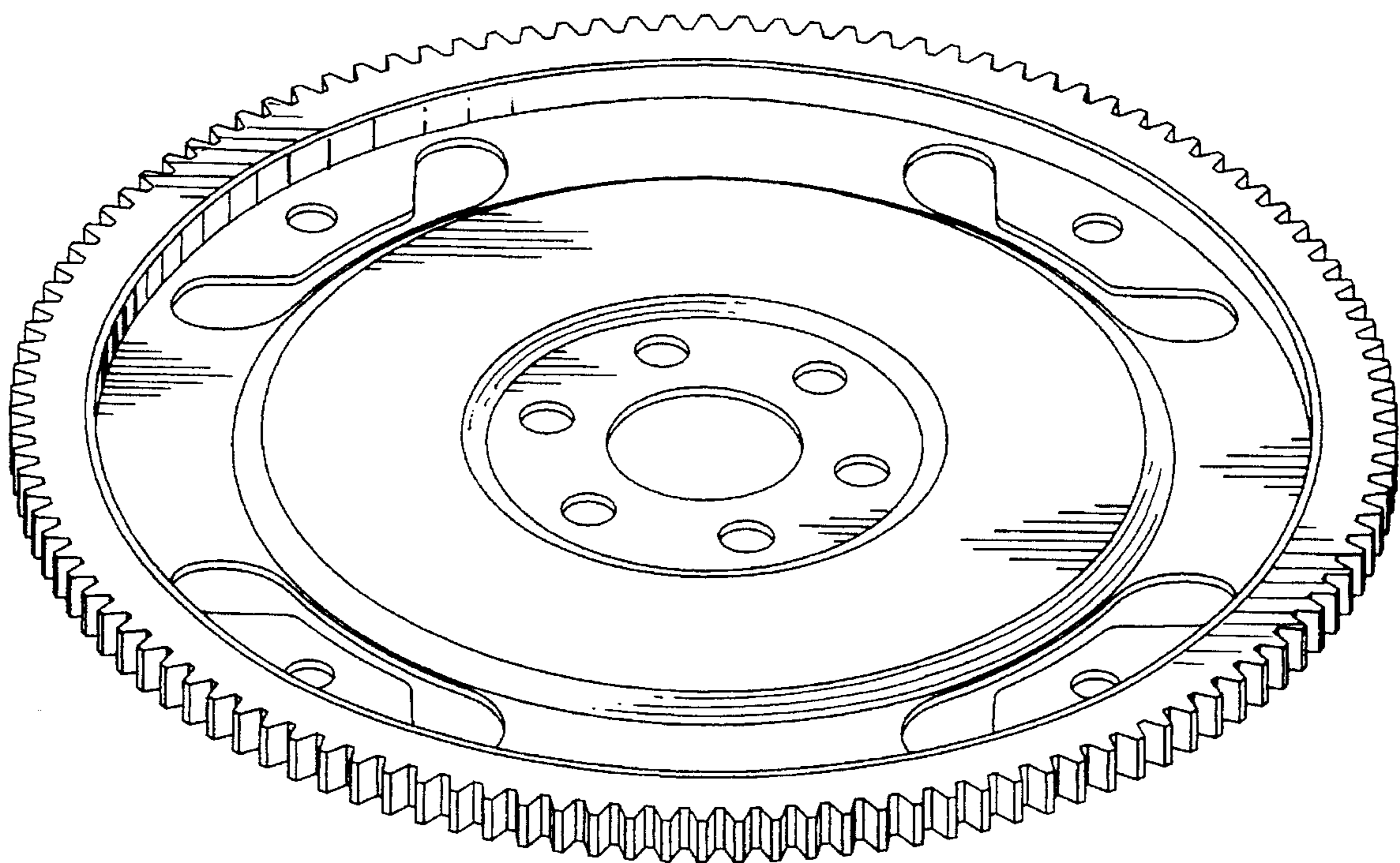


FIG. 26

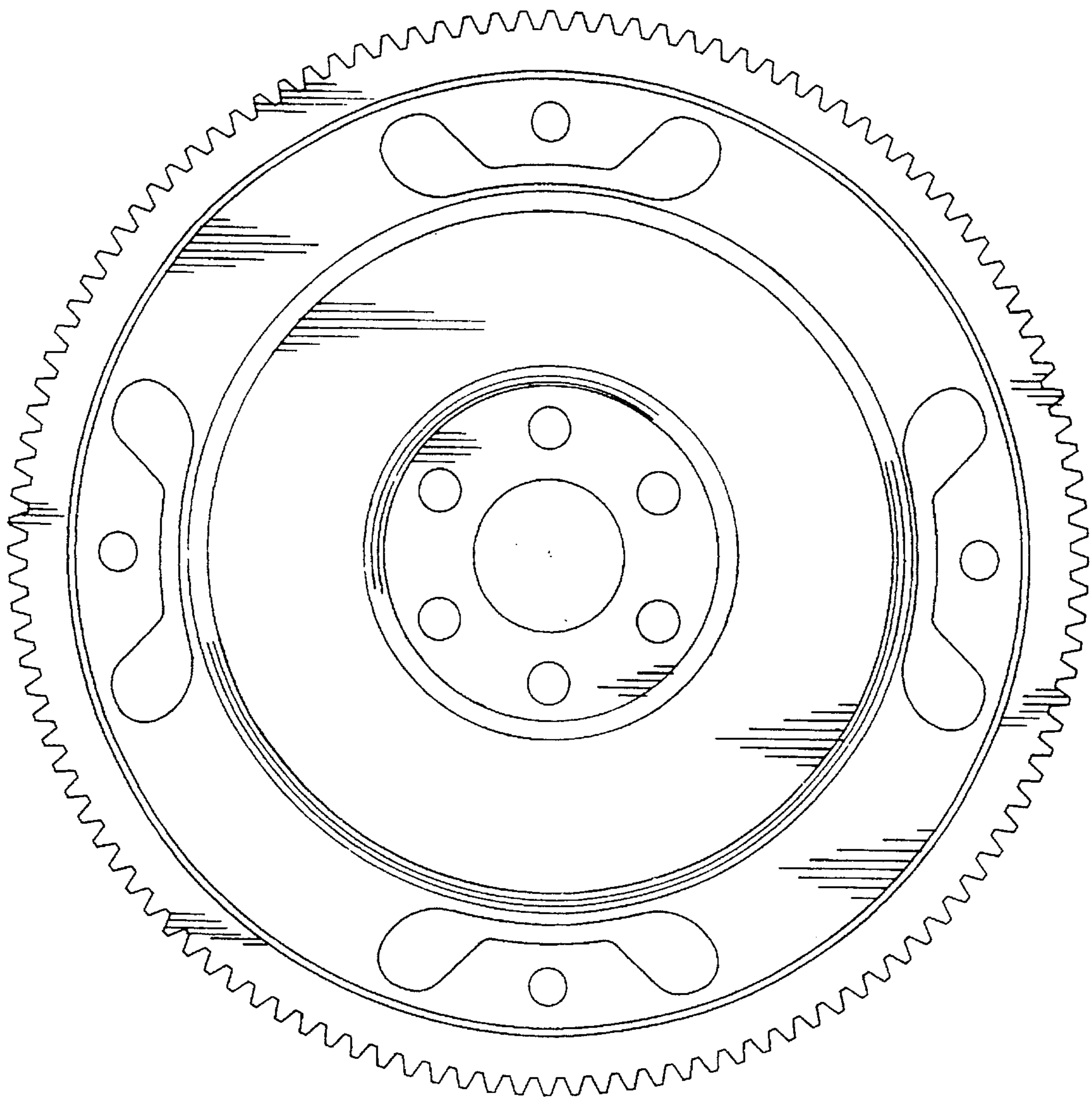


FIG. 27

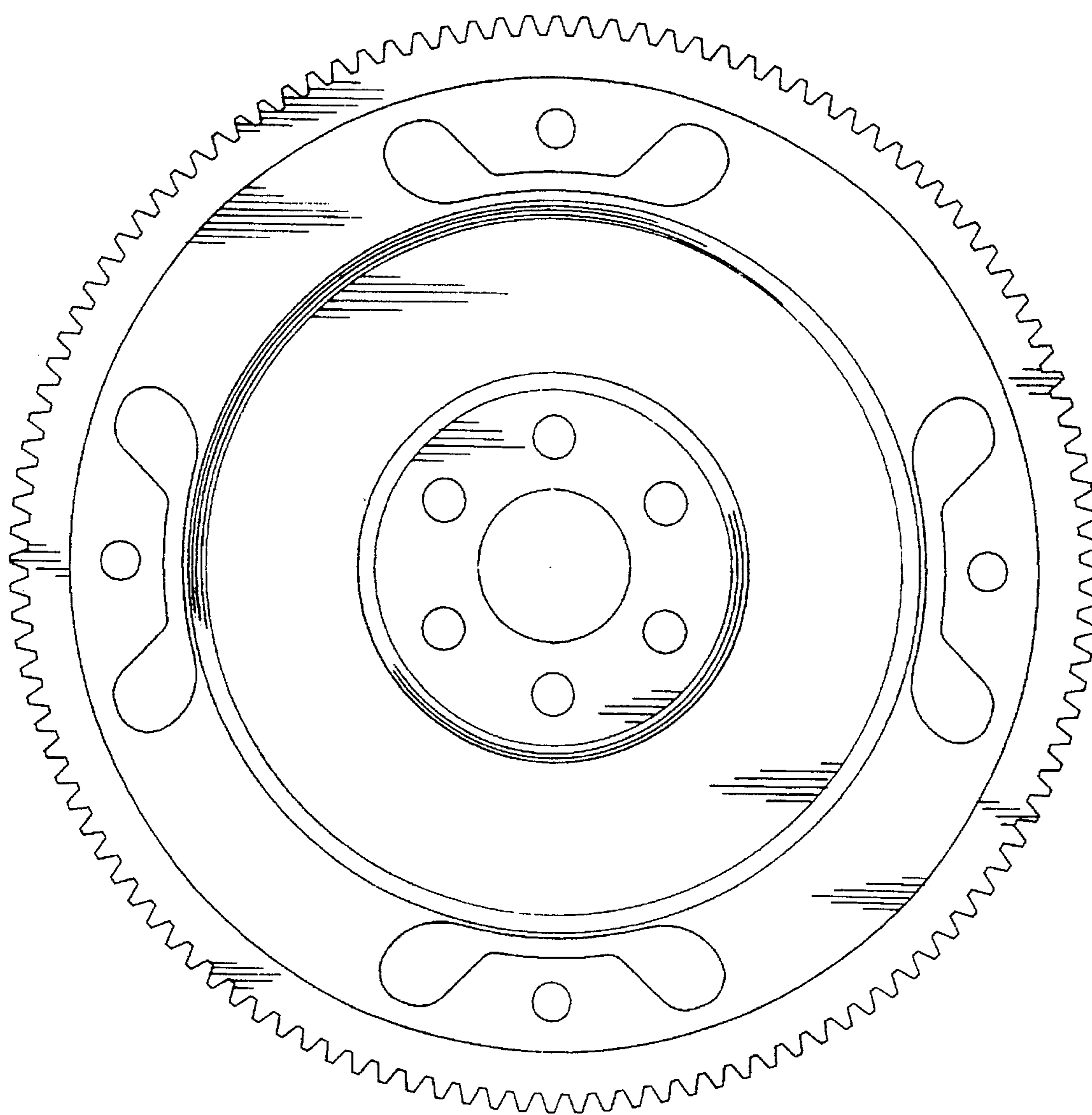


FIG. 28



FIG. 29

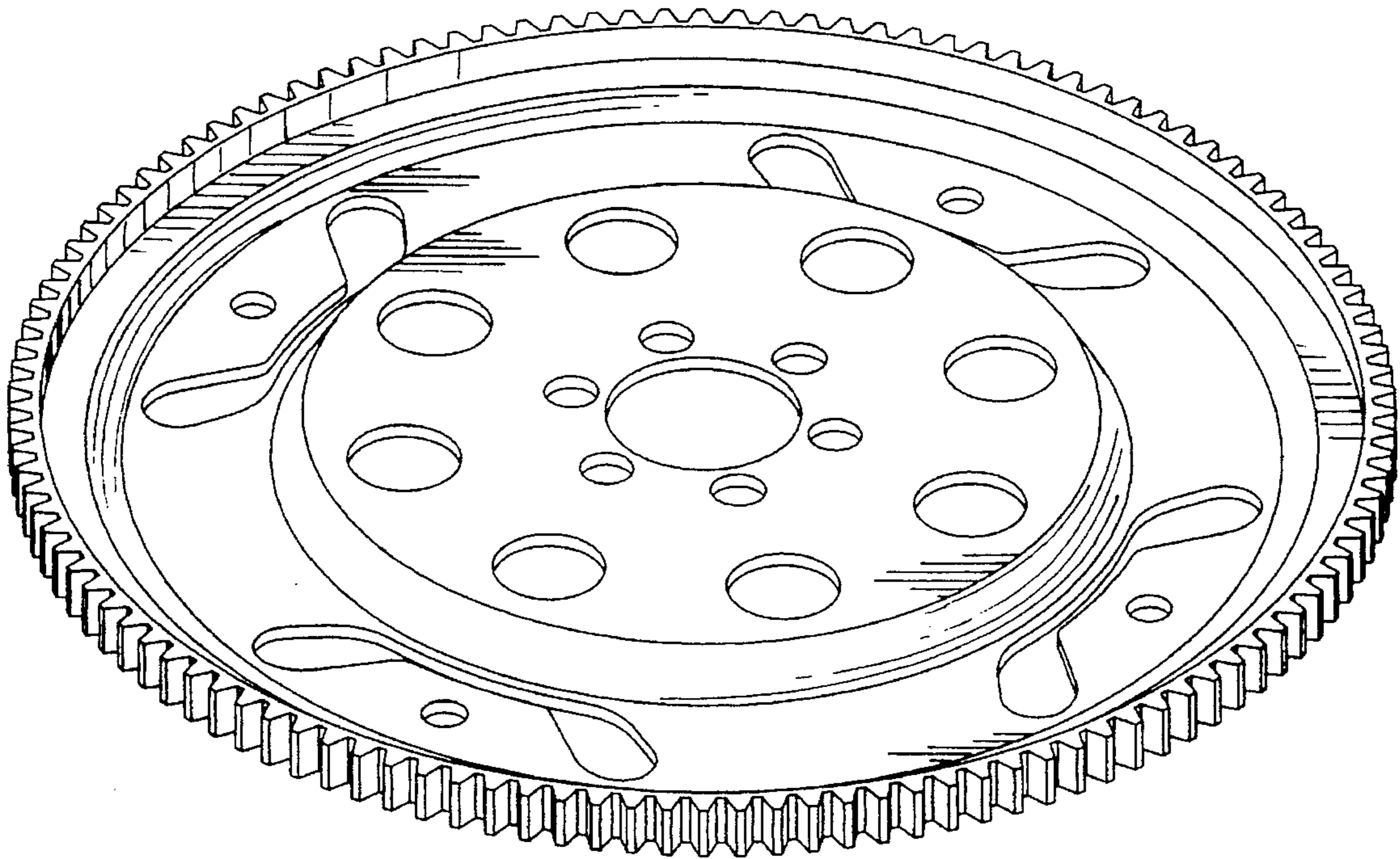


FIG. 30

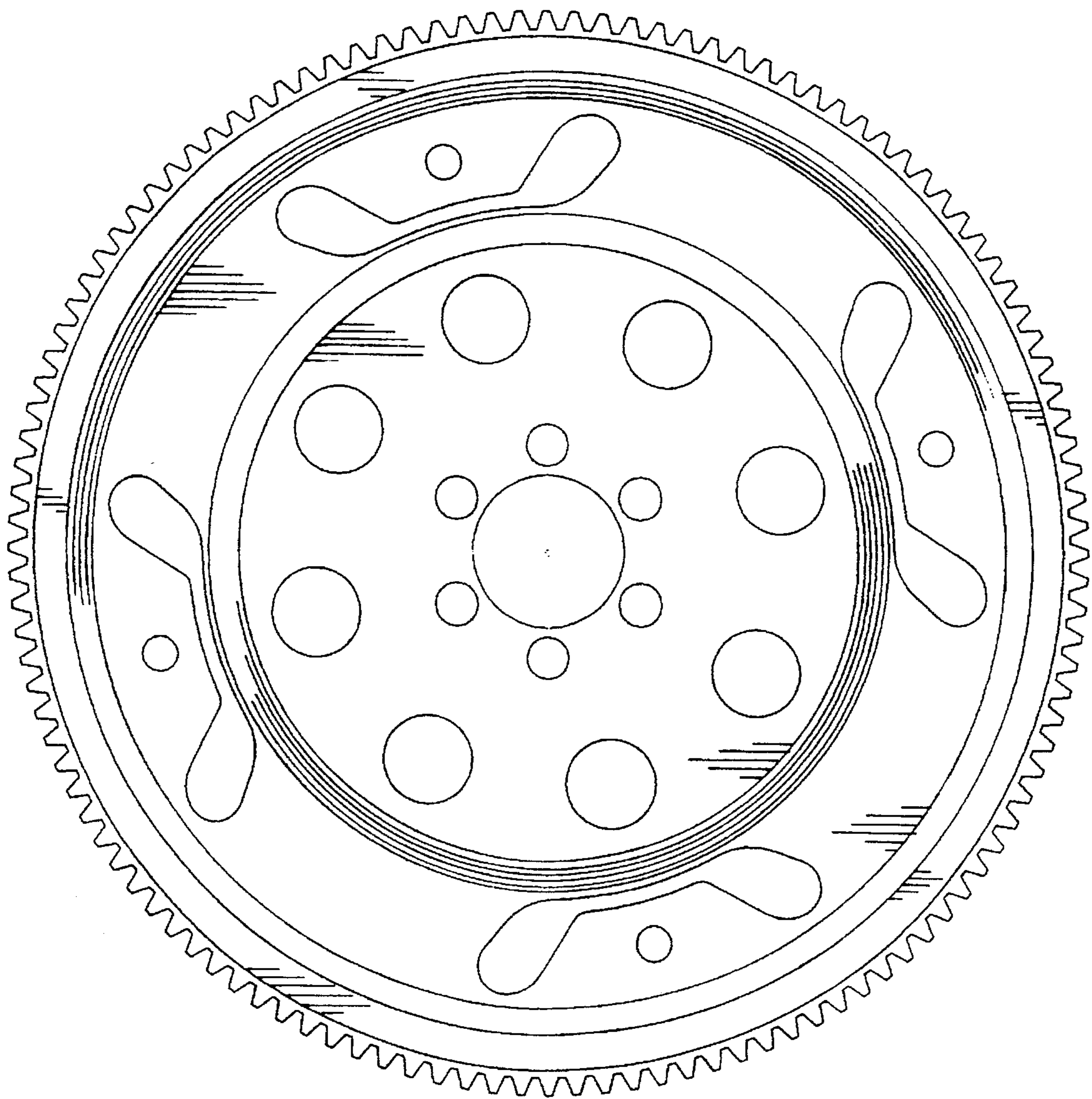


FIG. 31

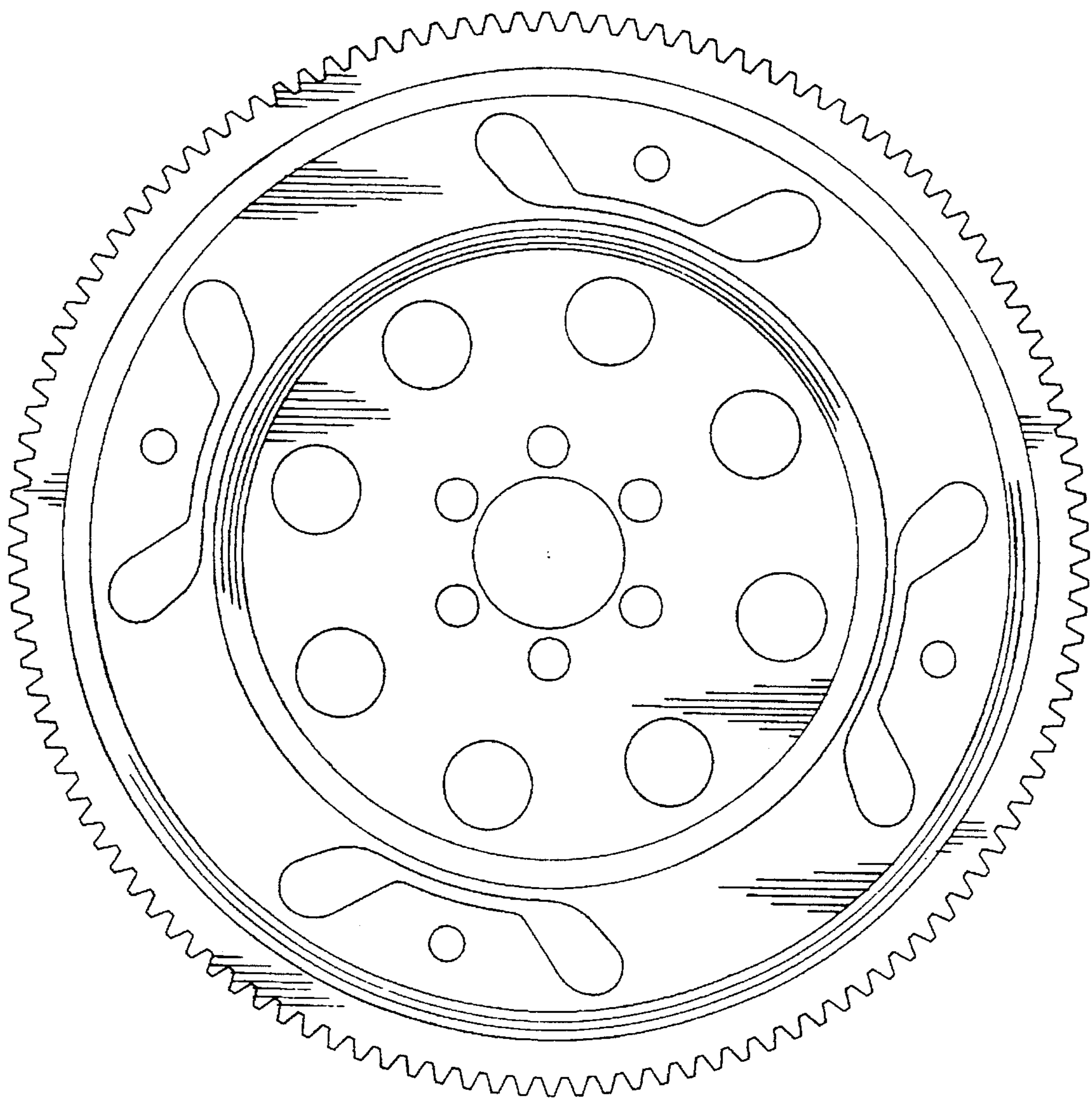


FIG. 32



FIG. 33

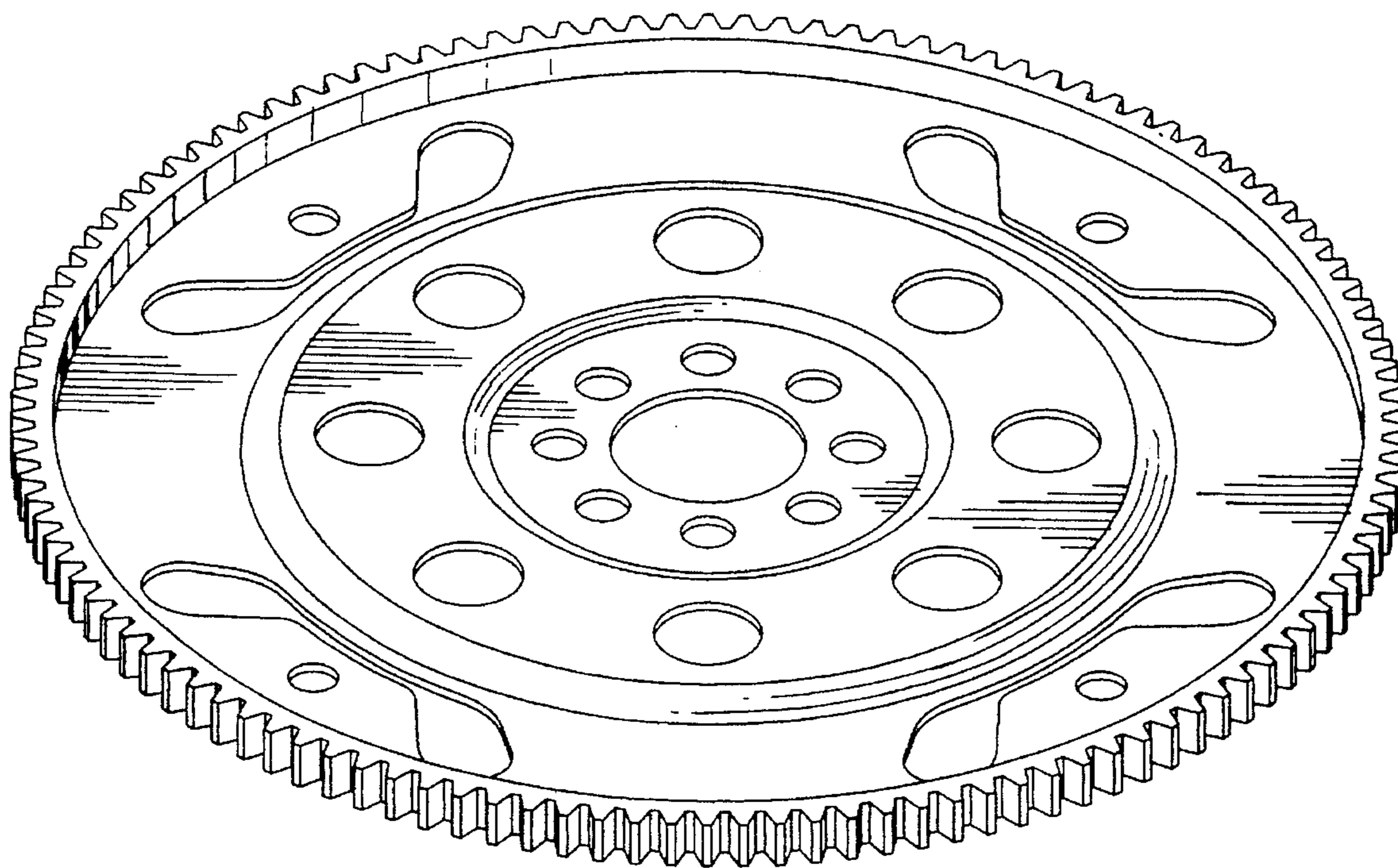


FIG. 34

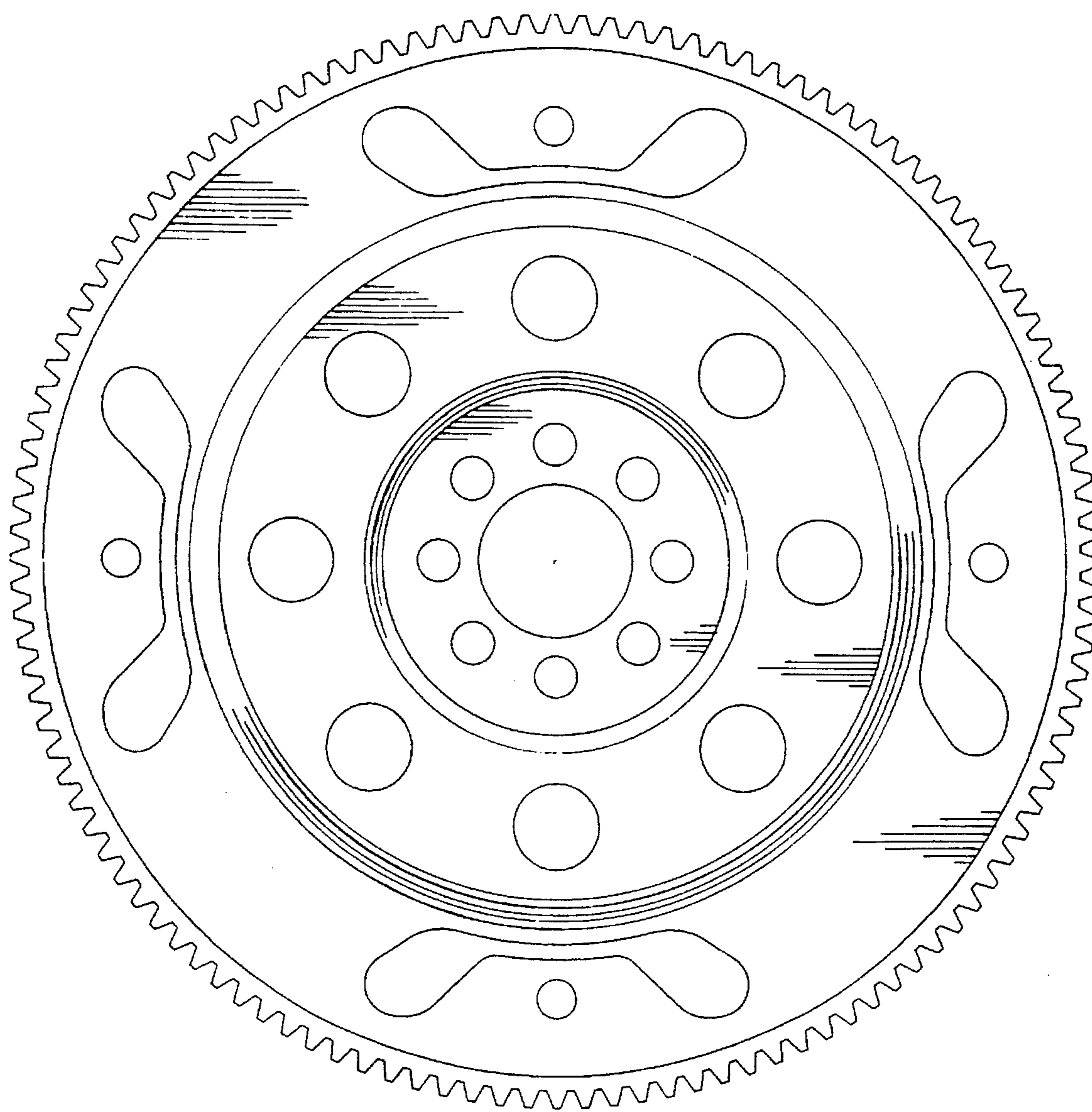


FIG. 35

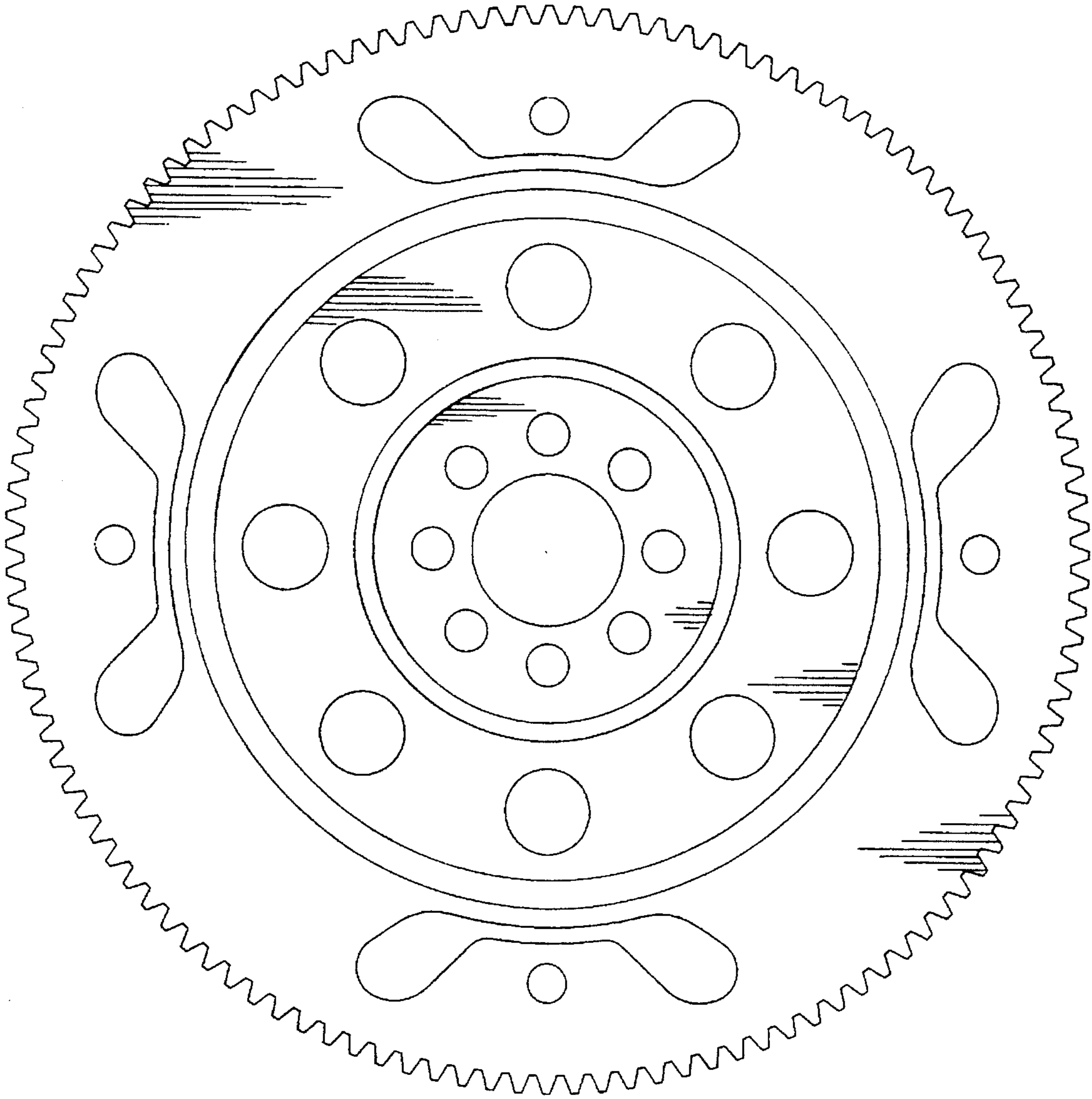


FIG. 36

