



US00D373367S

United States Patent [19]

[11] Patent Number: **Des. 373,367**

Havlovitz

[45] Date of Patent: ****Sep. 3, 1996**

[54] **COLLAPSIBLE SPREADER**

5,288,017 2/1994 Halovitz 239/687

[75] Inventor: **Paul M. Havlovitz**, Escondido, Calif.

Primary Examiner—Terry A. Wallace
Assistant Examiner—Richelle Shelton
Attorney, Agent, or Firm—Harry Williams

[73] Assignee: **Republic Tool & Mfg. Corp.**,
Carlsbad, Calif.

[57] **CLAIM**

[**] Term: **14 Years**

The ornamental design of a collapsible spreader, as shown and described.

[21] Appl. No.: **32,394**

DESCRIPTION

[22] Filed: **Dec. 16, 1994**

[52] U.S. Cl. **D15/13**

FIG. 1 is a perspective view of a collapsible spreader showing my new design;
FIG. 2 is a front elevational view thereof;
FIG. 3 is a right side elevational view thereof;
FIG. 4 is a left side elevational view thereof;
FIG. 5 is a rear elevational view;
FIG. 6 is a top plan view thereof; and,
FIG. 7 is a bottom plan view thereof.

[58] Field of Search D15/13; 222/162,
222/174, 614, 624; 239/681-689

[56] **References Cited**

U.S. PATENT DOCUMENTS

D. 240,152	6/1976	Raffler et al.	D15/13
D. 338,894	8/1993	Simpson	D15/13
D. 359,963	7/1995	Pink et al.	D15/13
4,580,730	4/1986	Amerine	239/687

1 Claim, 4 Drawing Sheets

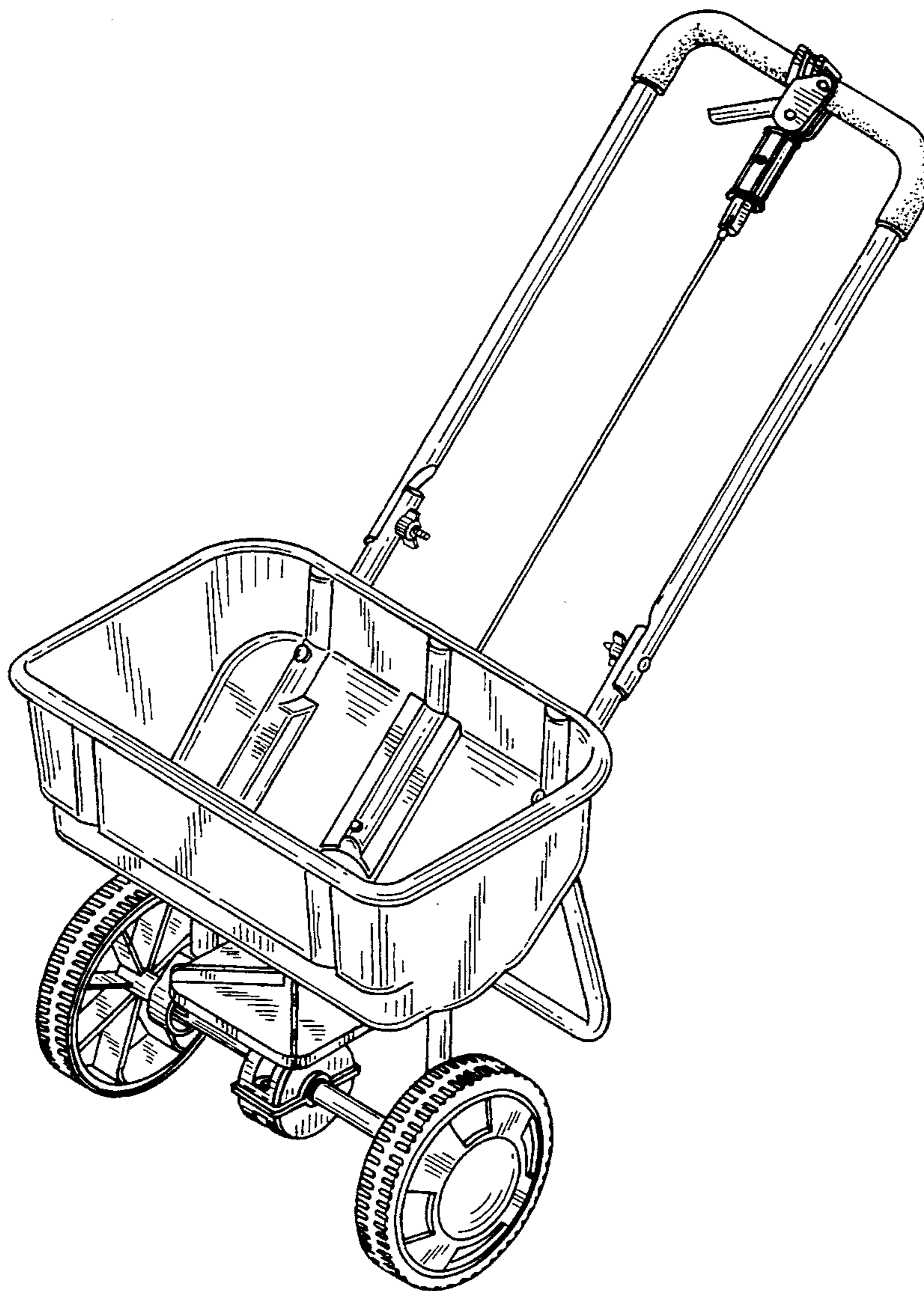
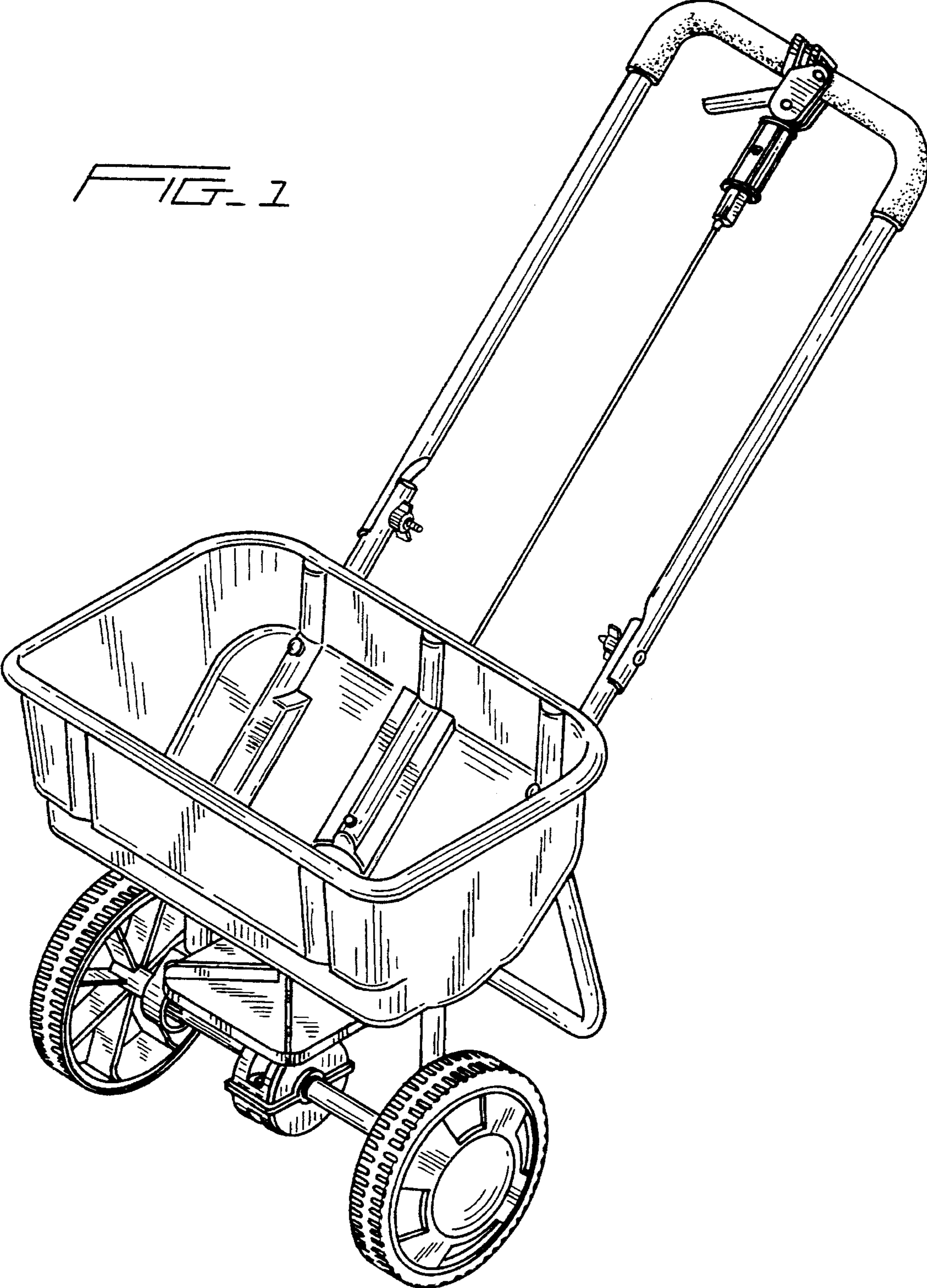
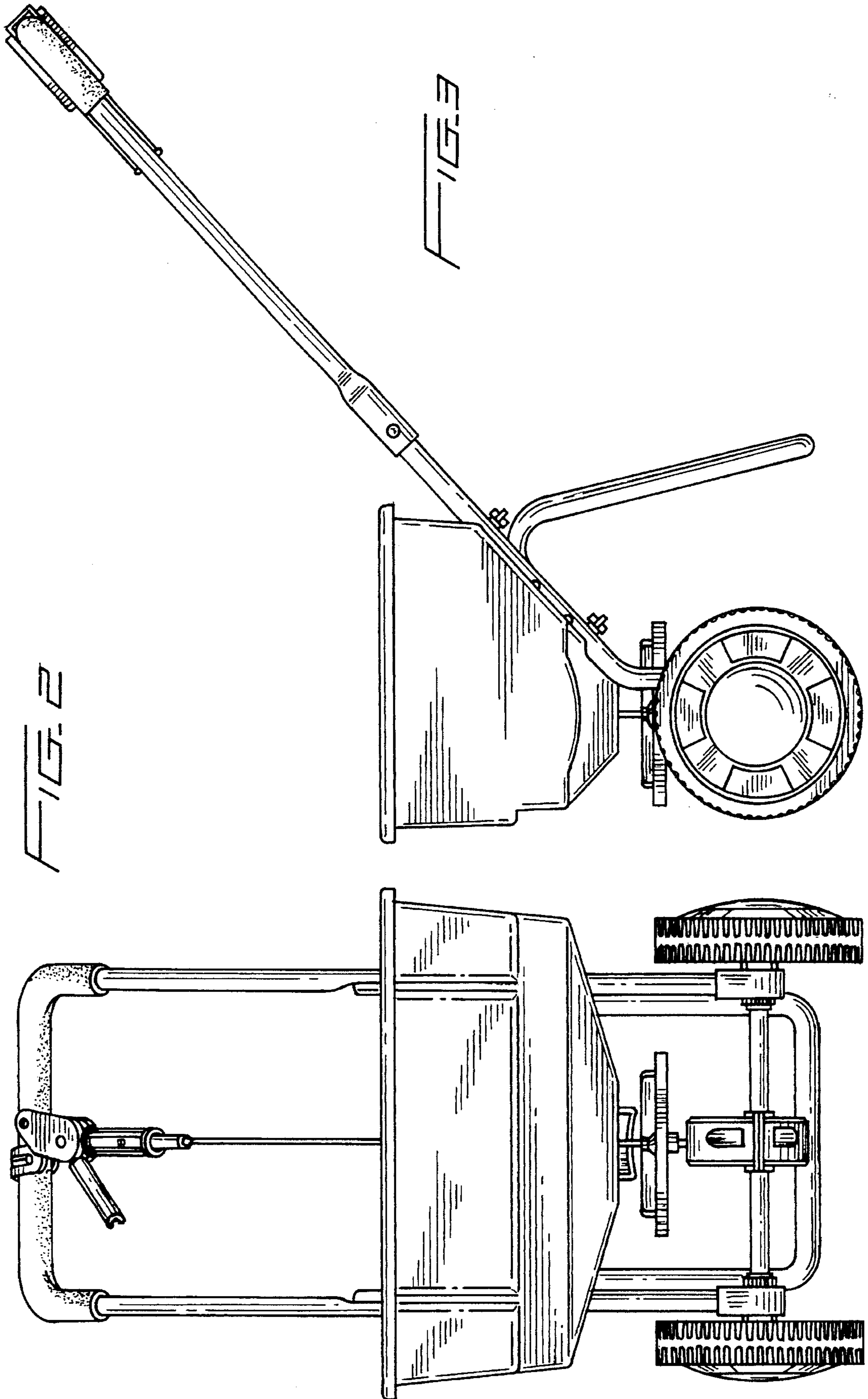


FIG. 1





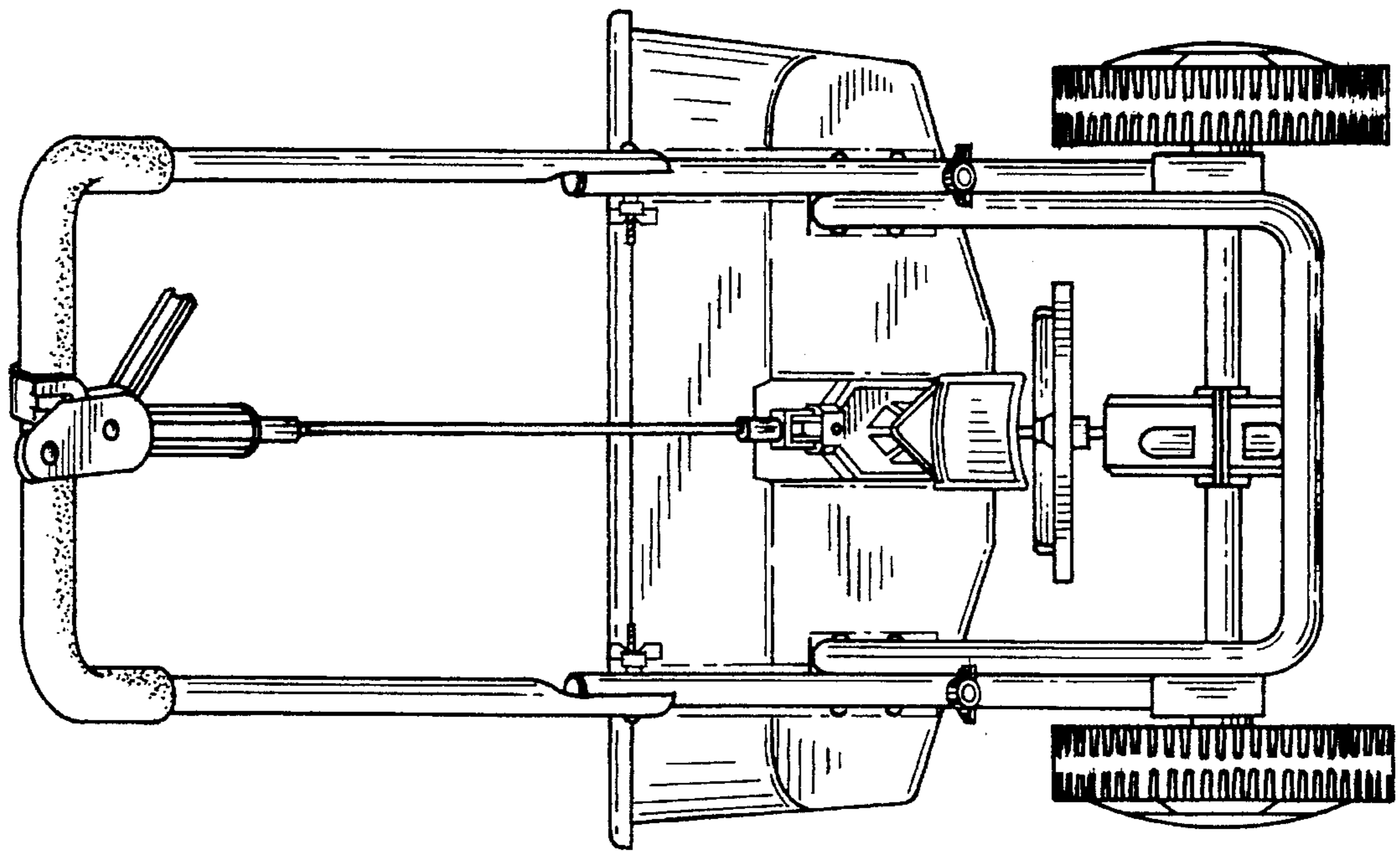


FIG. 5

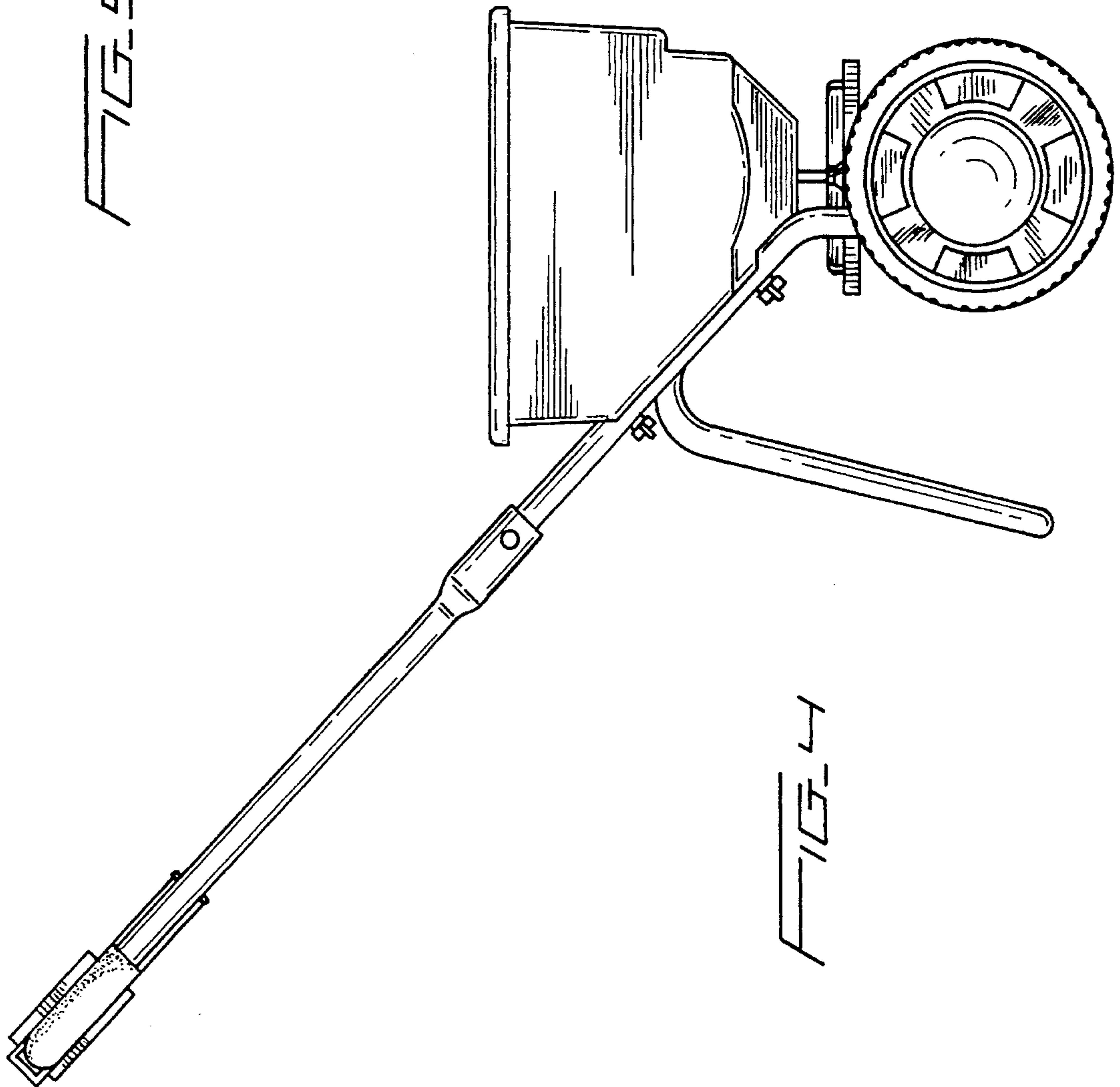


FIG. 4

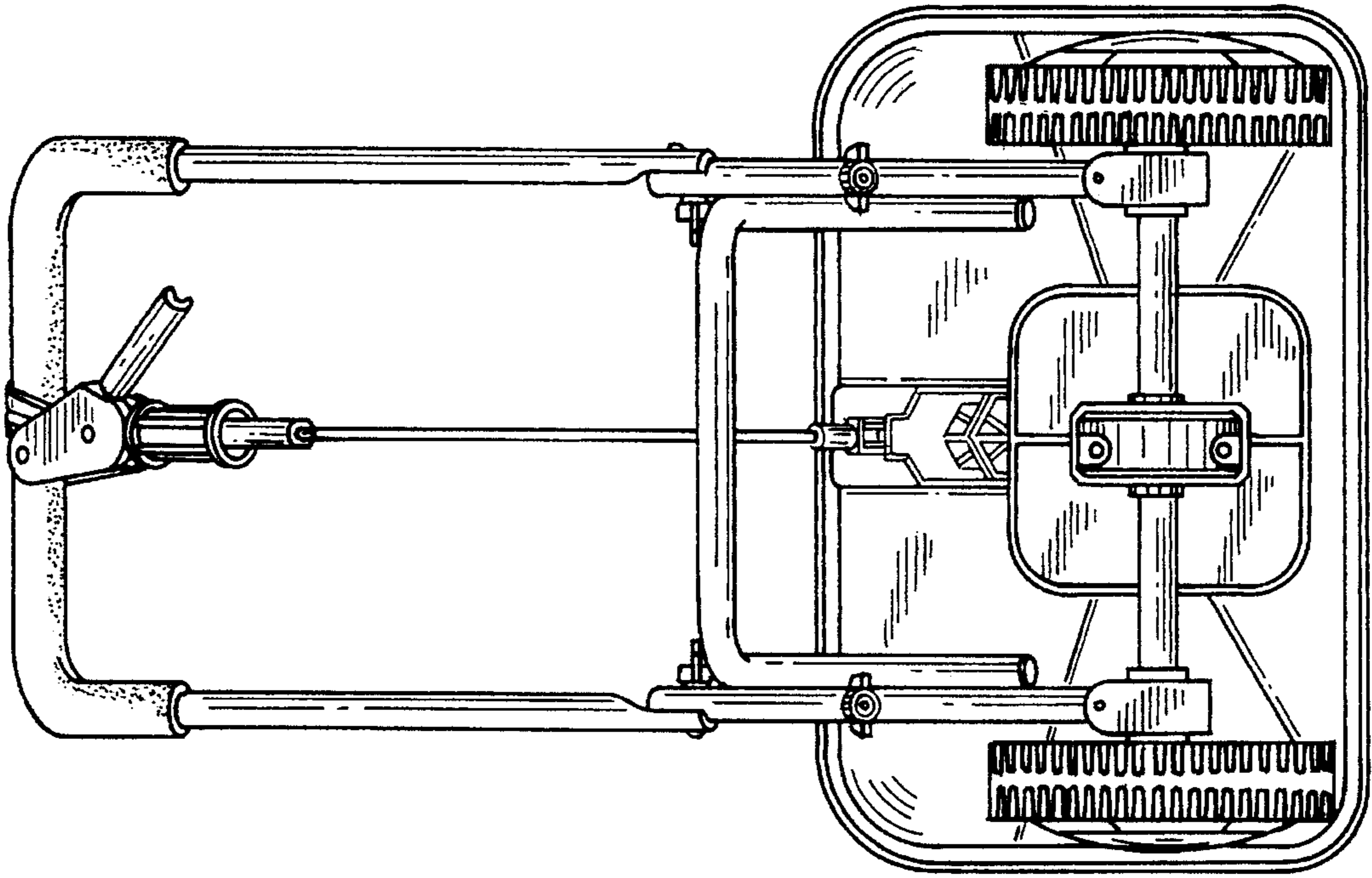


FIG. 7

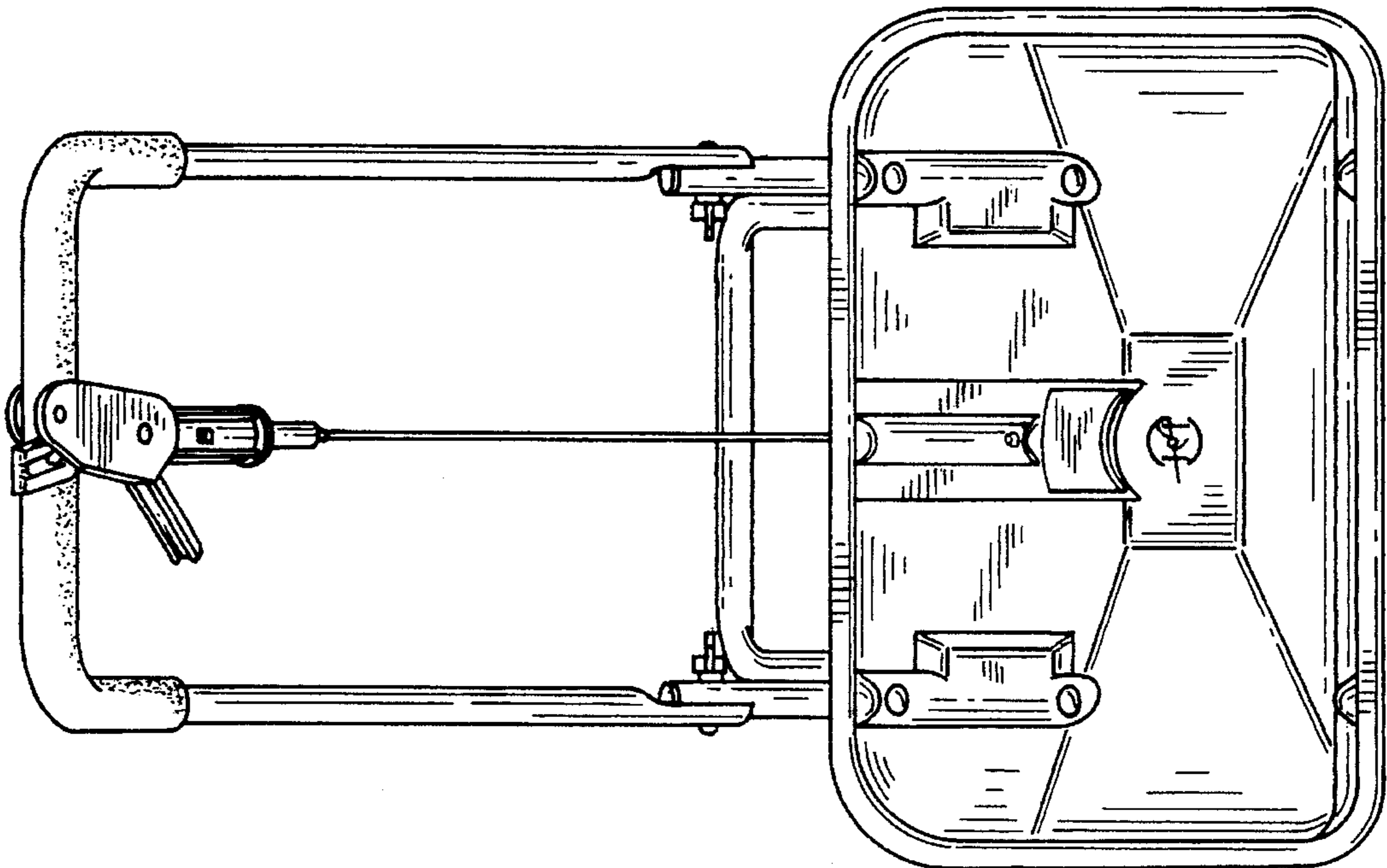


FIG. 8