



US00D373366S

# United States Patent [19]

Wada et al.

[11] Patent Number: **Des. 373,366**

[45] Date of Patent: **\*\*Sep. 3, 1996**

[54] **REFRIGERANT COMPRESSOR**

[75] Inventors: **Hirofumi Wada; Takayuki Kudo; Shinichi Otake**, all of Isesaki, Japan

[73] Assignee: **Sanden Corp.**, Isesaki, Japan

[\*\*] Term: **14 Years**

[21] Appl. No.: **40,761**

[22] Filed: **Jun. 26, 1995**

[30] **Foreign Application Priority Data**

Feb. 24, 1995 [JP] Japan ..... 7-5005

[52] U.S. Cl. .... **D15/9; D15/7**

[58] Field of Search ..... D15/5, 7-9.1; 417/415, 234, 410.3, 410.4, 410.5, 411

[56] **References Cited**

**U.S. PATENT DOCUMENTS**

- D. 124,842 1/1941 Price ..... D15/5
- D. 137,612 4/1944 Flanagan et al. .... D15/7
- D. 273,586 4/1984 Hodgson ..... D15/7

- D. 295,753 5/1988 LaBair ..... D15/7
- D. 304,197 10/1989 Adolfo ..... D15/9
- D. 333,472 2/1993 Aizawa ..... D15/5 X
- 3,850,551 11/1974 Gamache et al. .... 417/410.3

*Primary Examiner*—Susan J. Lucas  
*Assistant Examiner*—Cynthia E. Ramirez  
*Attorney, Agent, or Firm*—Kenjiro Hidaka

[57] **CLAIM**

The ornamental design for a refrigerant compressor, as shown and described.

**DESCRIPTION**

FIG. 1 is a top, front, left side perspective view of a refrigerant compressor showing our new design; FIG. 2 is a top plan view thereof; FIG. 3 is a front elevational view thereof; FIG. 4 is a left side elevational view thereof; FIG. 5 is a right side elevational view thereof; FIG. 6 is a rear elevational view thereof; and, FIG. 7 is a bottom plan view thereof.

**1 Claim, 6 Drawing Sheets**

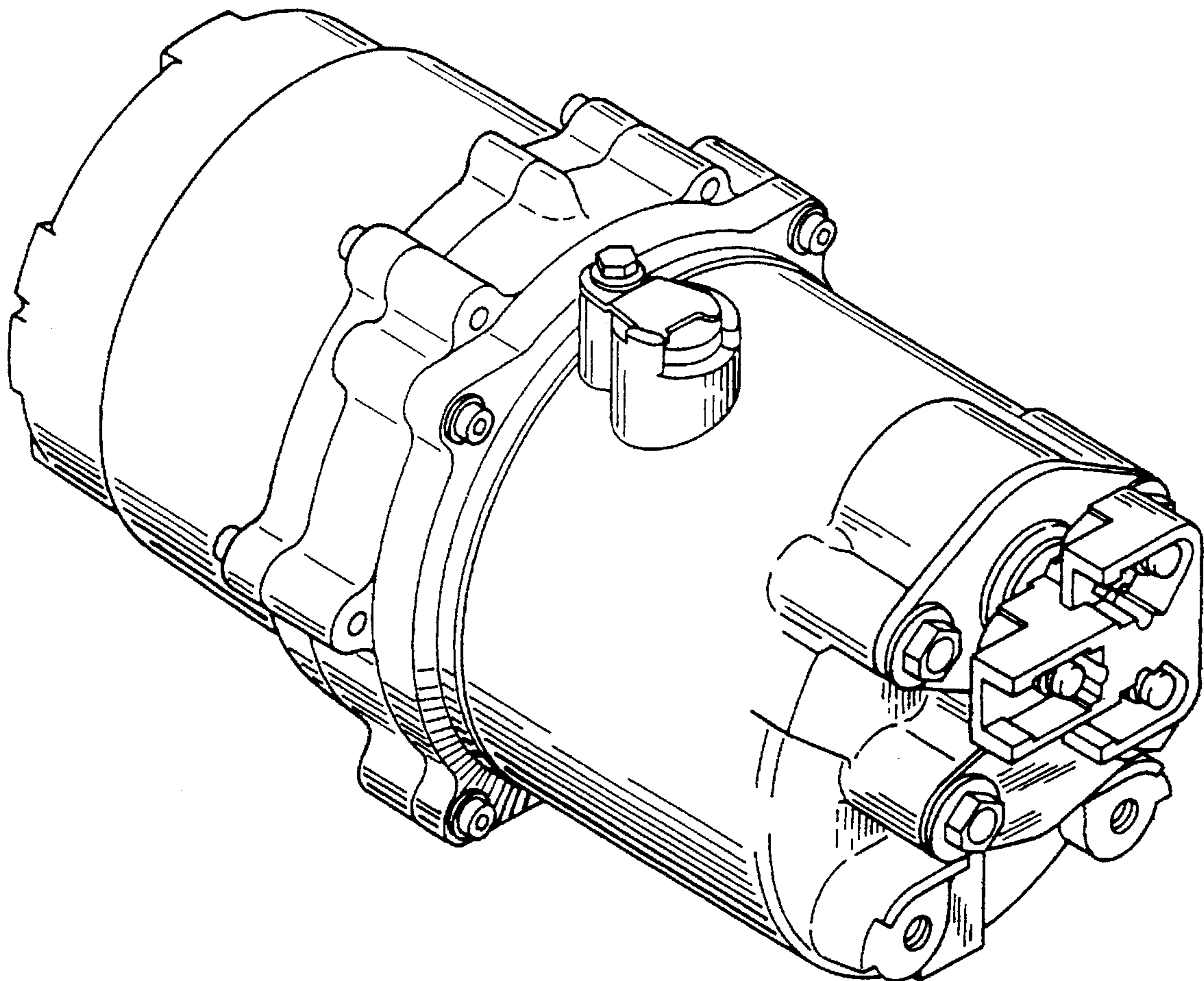


FIG. 1

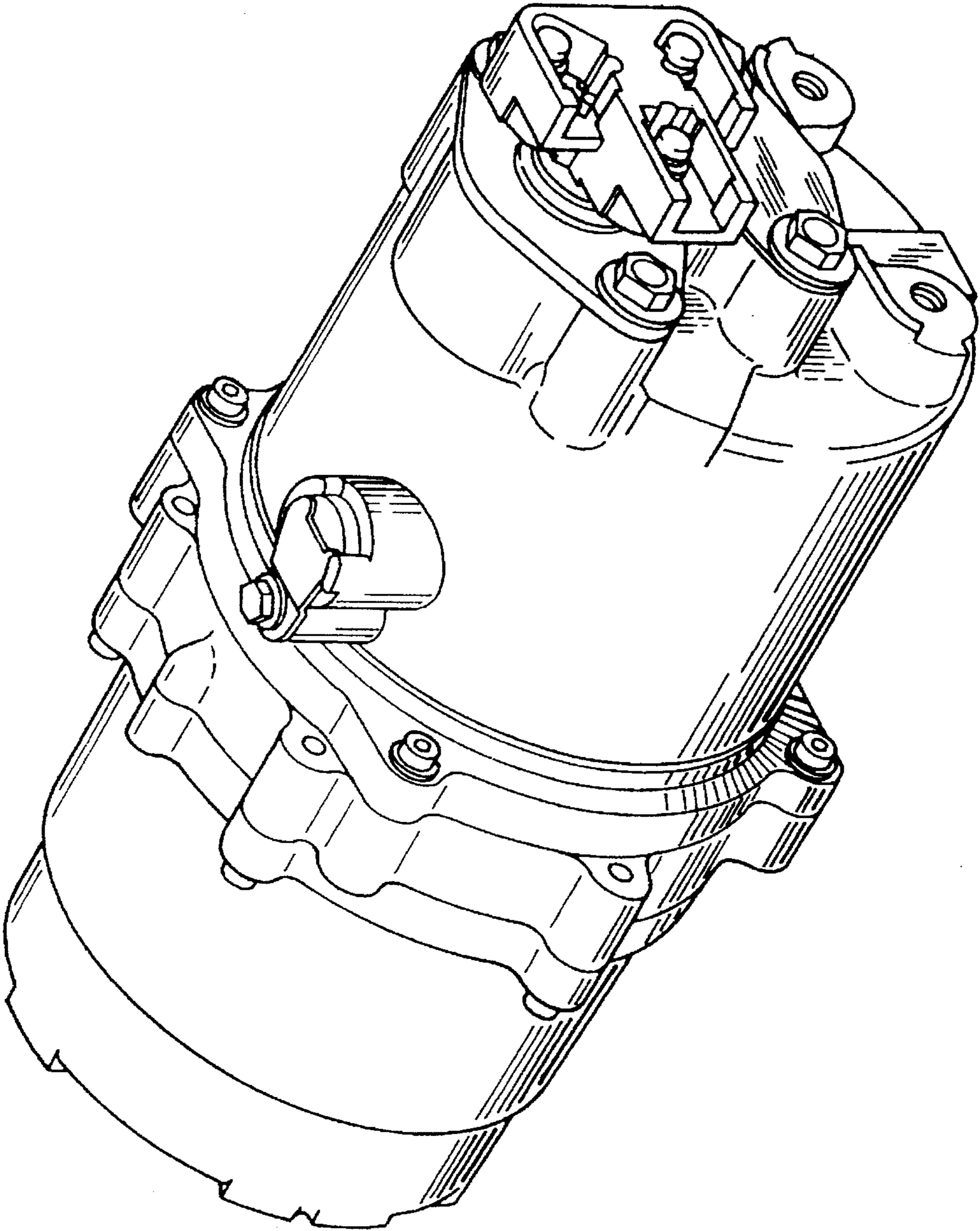


FIG. 2

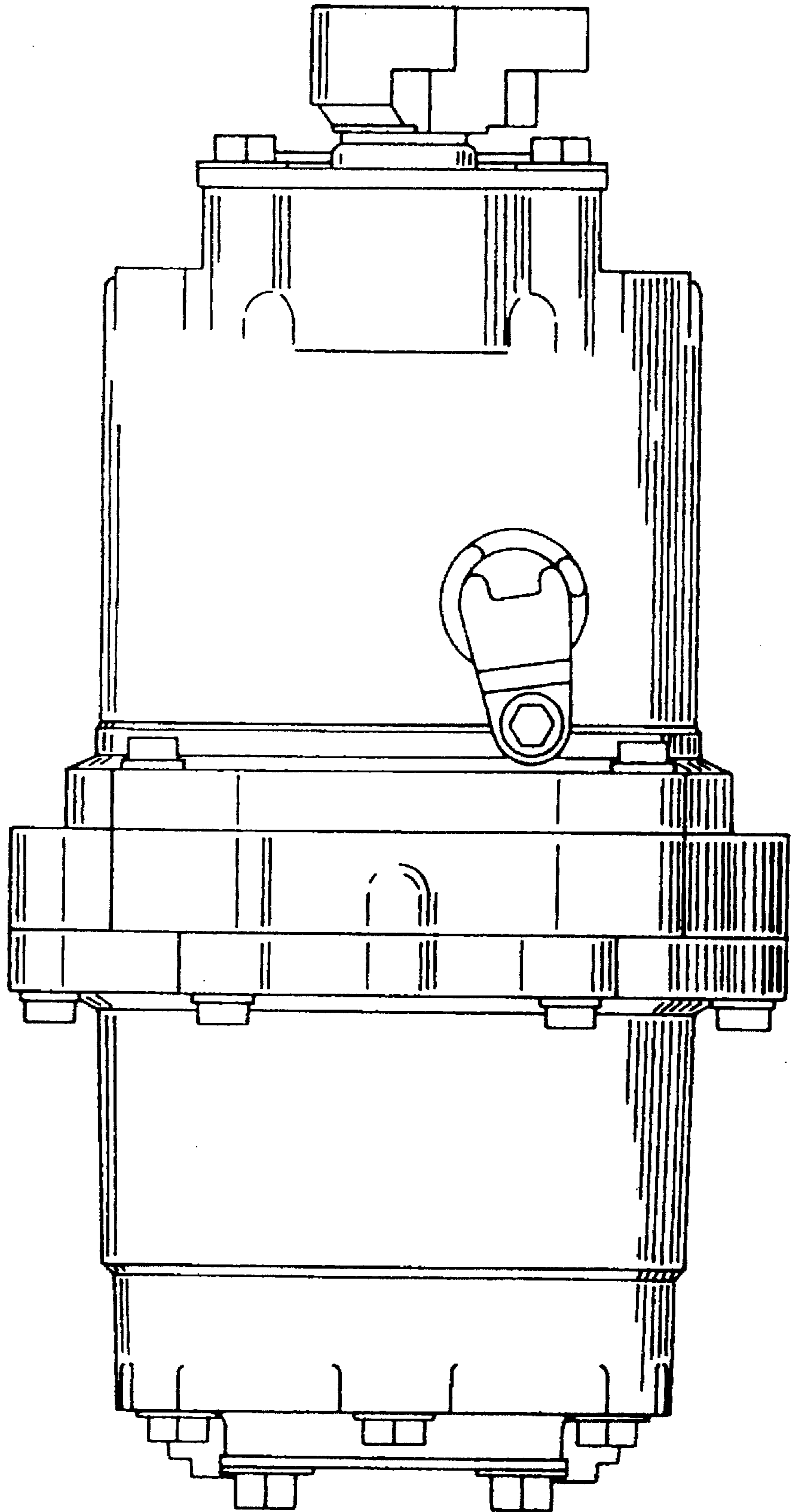


FIG. 3

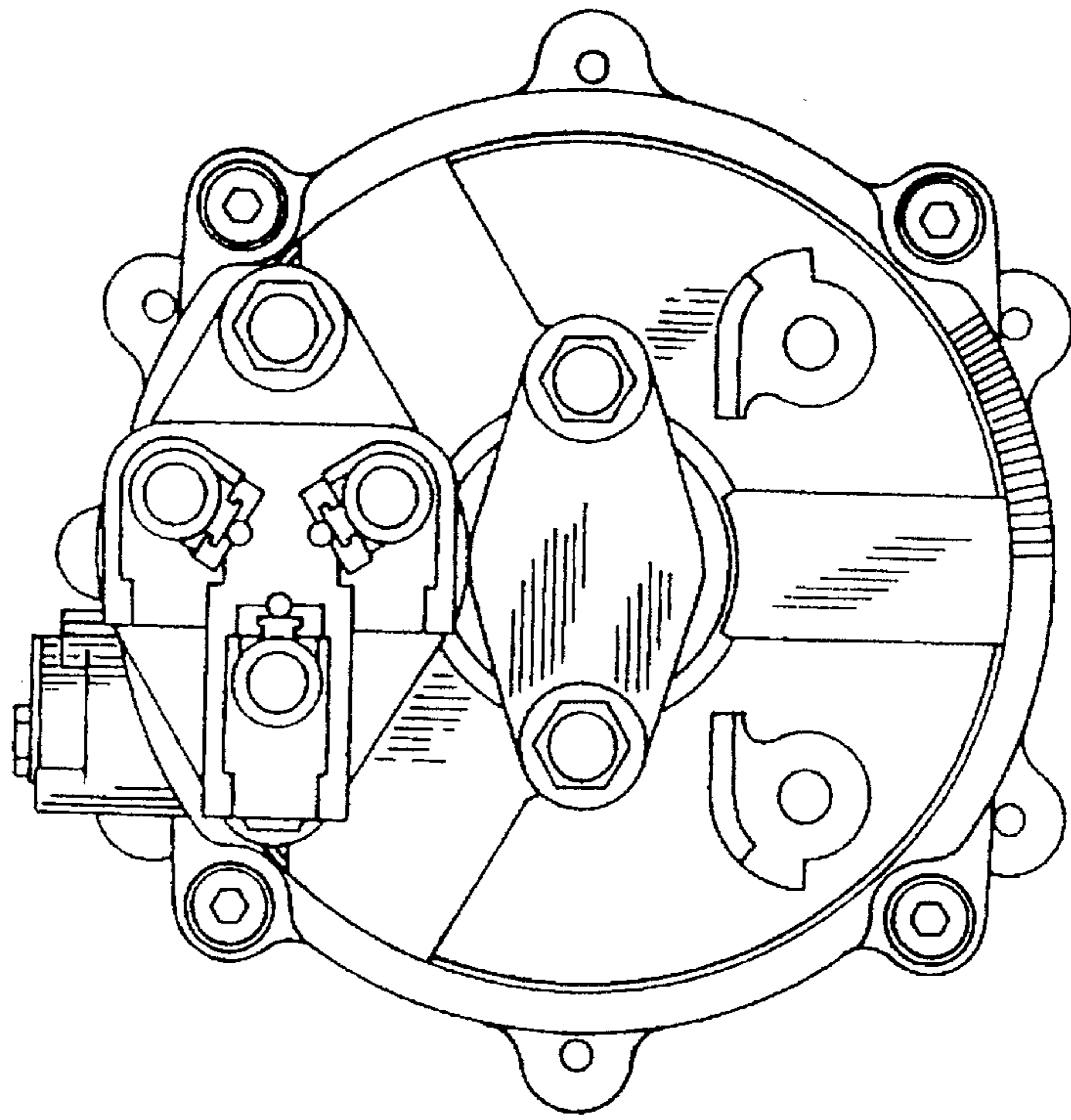


FIG. 6

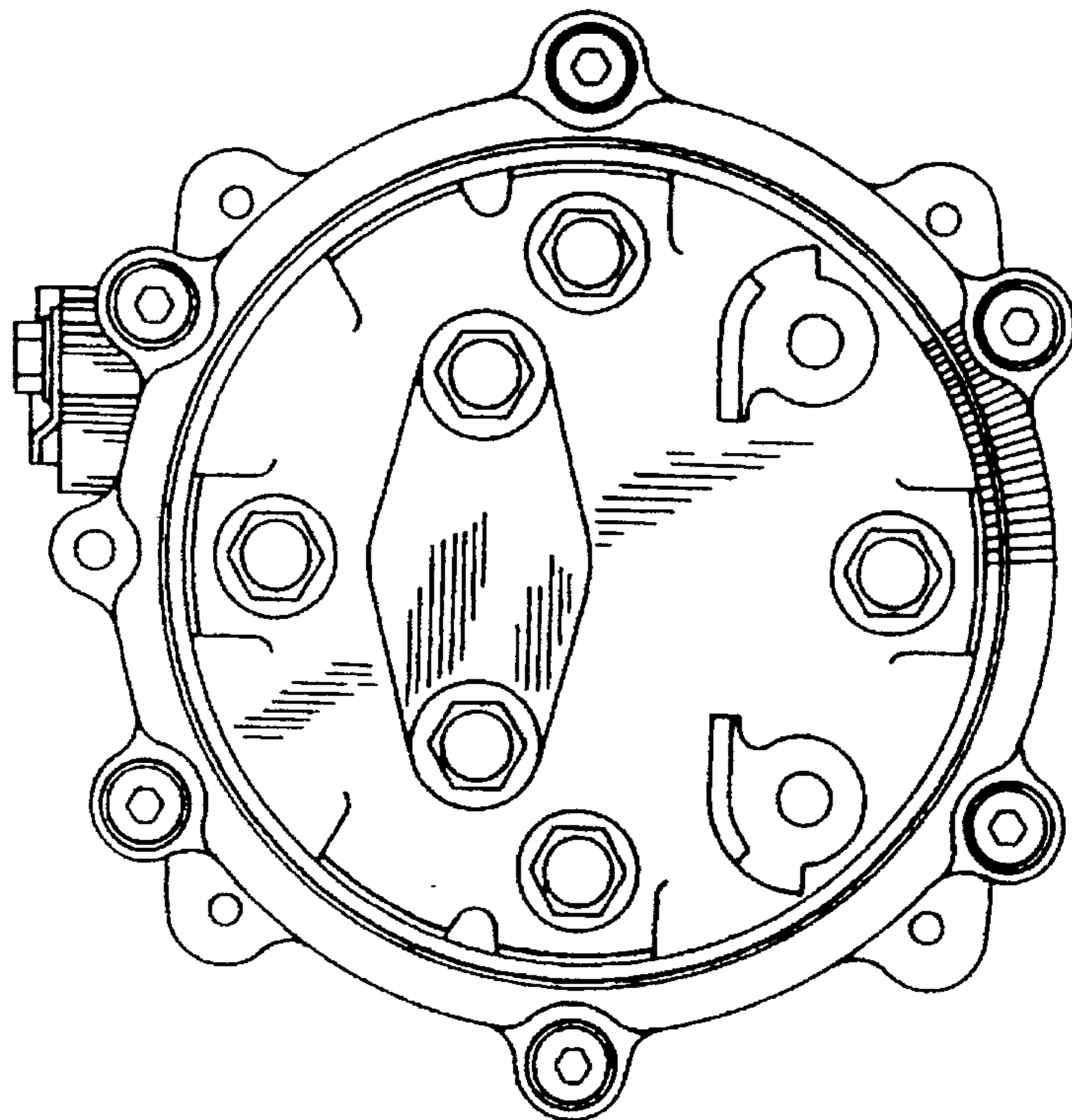


FIG. 4

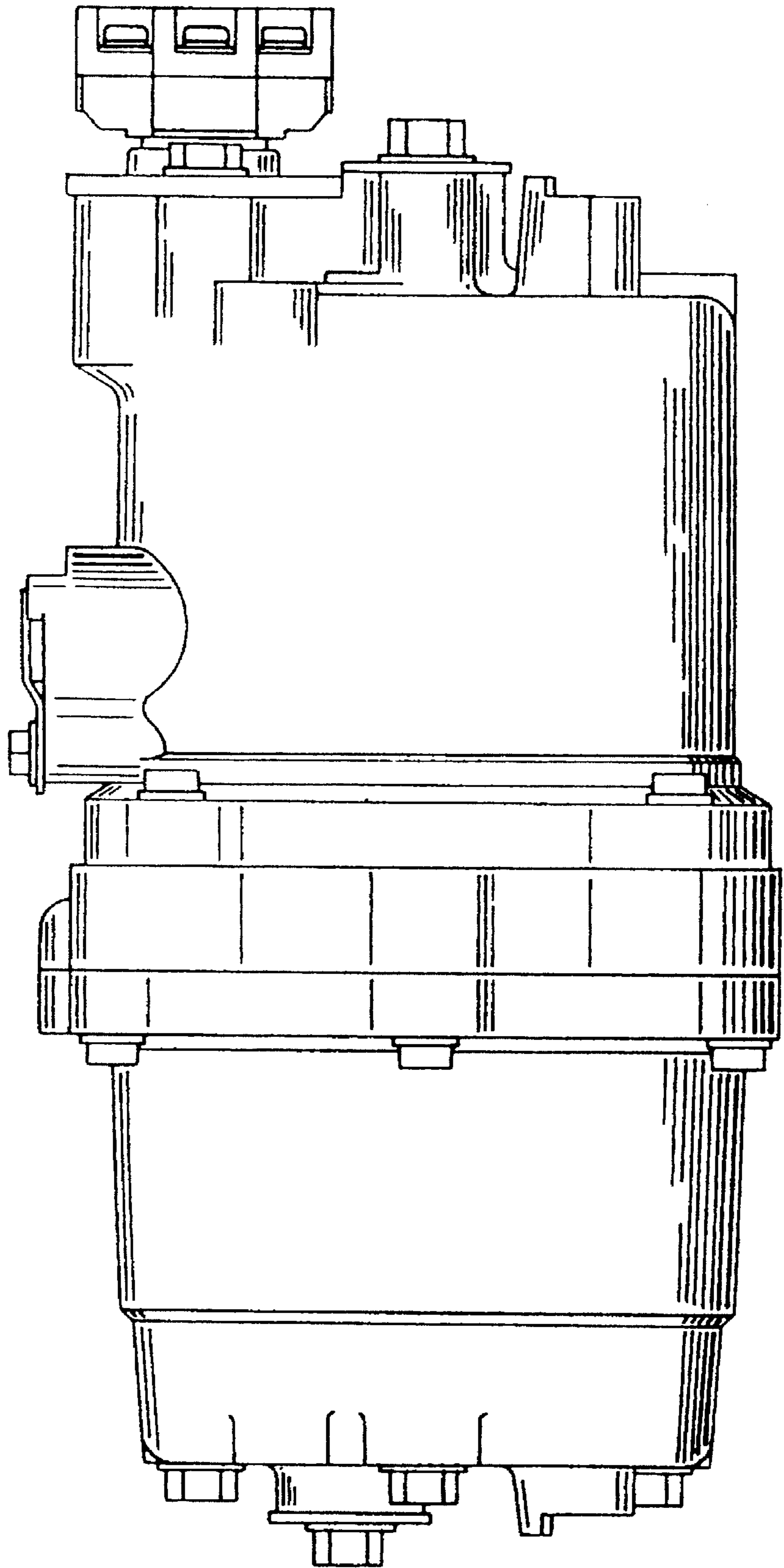


FIG. 5

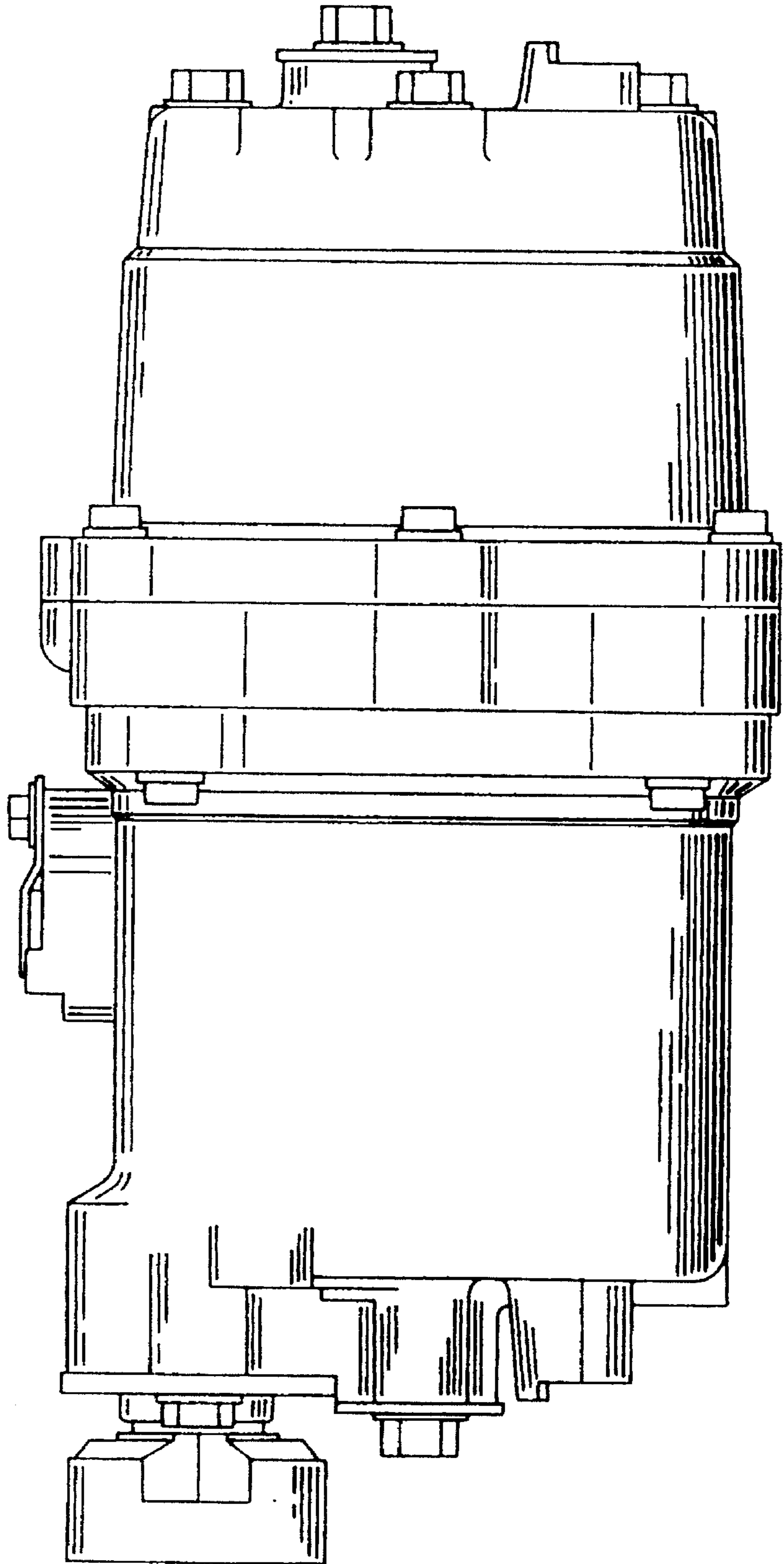


FIG. 7

