



US00D373365S

United States Patent [19]

Schoenmeyr

[11] Patent Number: **Des. 373,365**

[45] Date of Patent: ****Sep. 3, 1996**

[54] **WOBBLE PLATE PUMP AND MOTOR HOUSING**

[75] Inventor: **Ivar L. Schoenmeyr**, San Juan Capistrano, Calif.

[73] Assignee: **Aquatec Water Systems, Inc.**, Anaheim, Calif.

[**] Term: **14 Years**

[21] Appl. No.: **42,304**

[22] Filed: **Aug. 7, 1995**

[52] U.S. Cl. **D15/7**

[58] Field of Search D15/7-9.2; 417/222, 417/231, 259, 265, 266, 268, 415, 234

[56] **References Cited**

U.S. PATENT DOCUMENTS

- D. 282,471 2/1986 Bearint et al. D15/9
- D. 332,267 1/1993 Iwai D15/7
- D. 365,107 12/1995 Ward D15/7

Primary Examiner—Ralf Seifert

Attorney, Agent, or Firm—Blakely, Sokoloff, Taylor & Zaf-

man

[57] **CLAIM**

The ornamental design for a wobble plate pump and motor housing, as shown.

DESCRIPTION

FIG. 1 is a front left top perspective view of a wobble plate pump and motor housing;

FIG. 2 is a rear right bottom view of the wobble plate pump and motor housing;

FIG. 3 is a right side elevational view of the wobble plate pump and motor housing;

FIG. 4 is a left side elevational view of the wobble plate pump and motor housing;

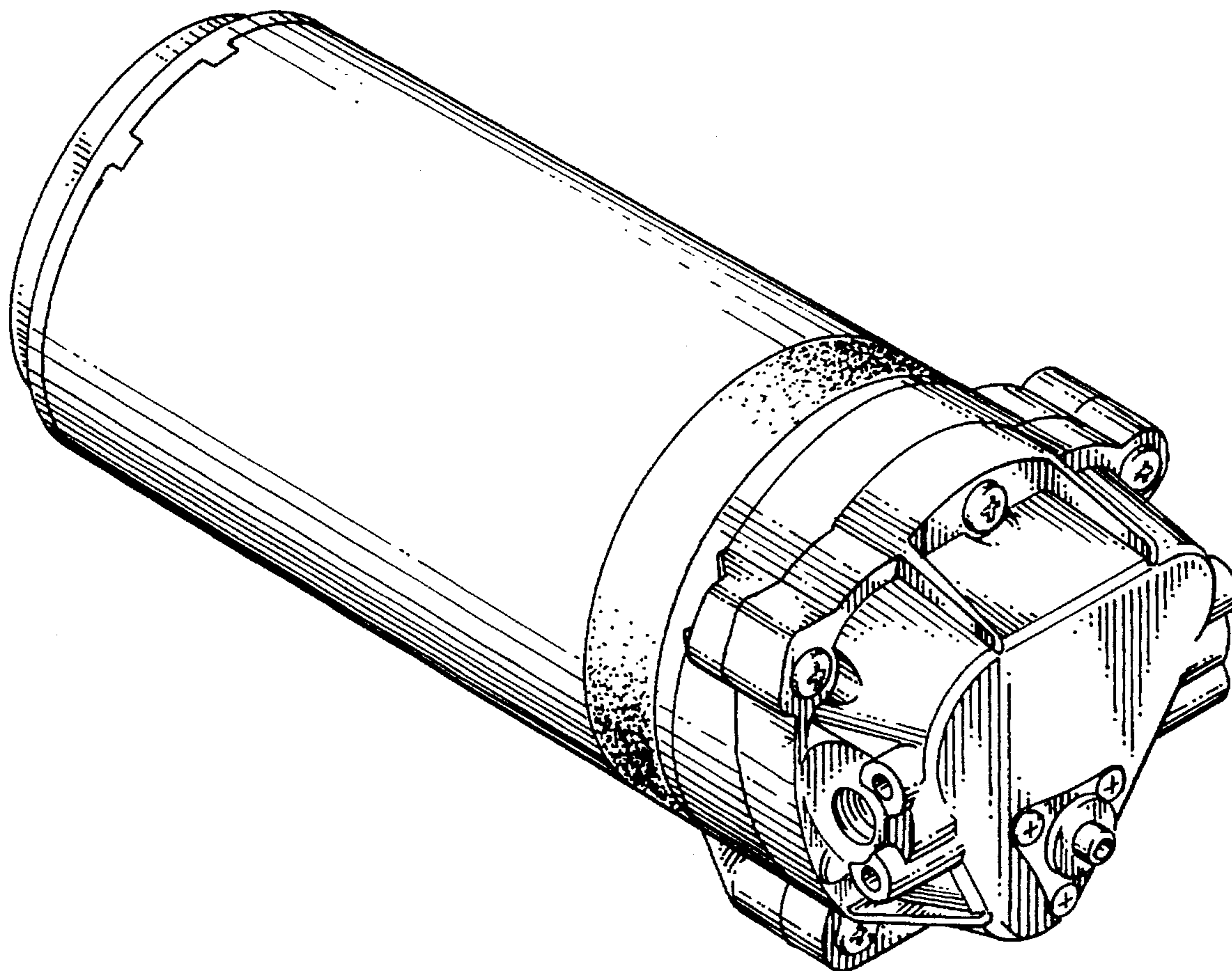
FIG. 5 is a front elevational view of the wobble plate pump and motor housing;

FIG. 6 is a top plan view of the wobble plate pump and motor housing;

FIG. 7 is a bottom plan view of the wobble plate pump and motor housing; and,

FIG. 8 is a rear elevational view of the wobble plate pump and motor housing.

1 Claim, 3 Drawing Sheets



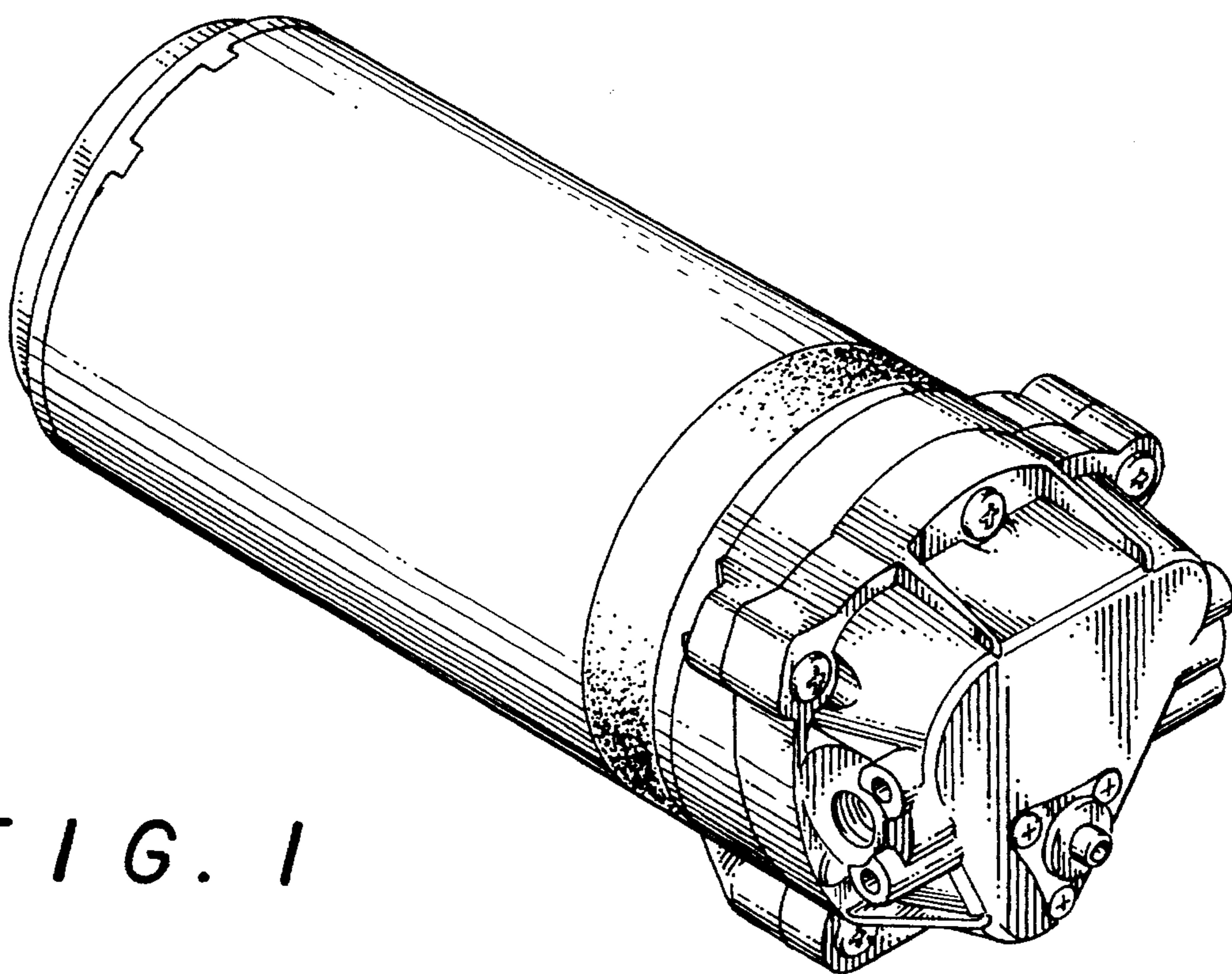


FIG. 1

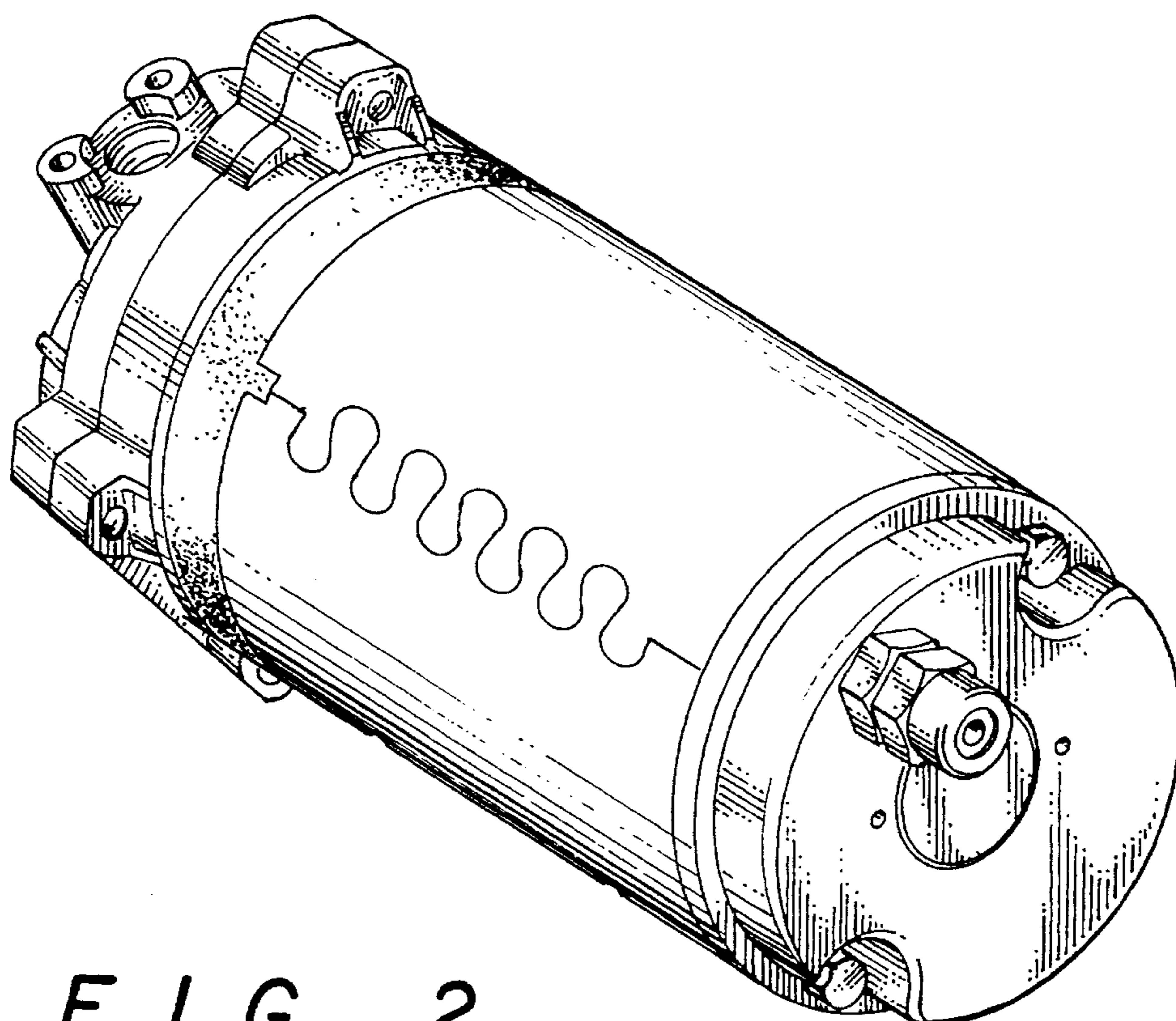


FIG. 2

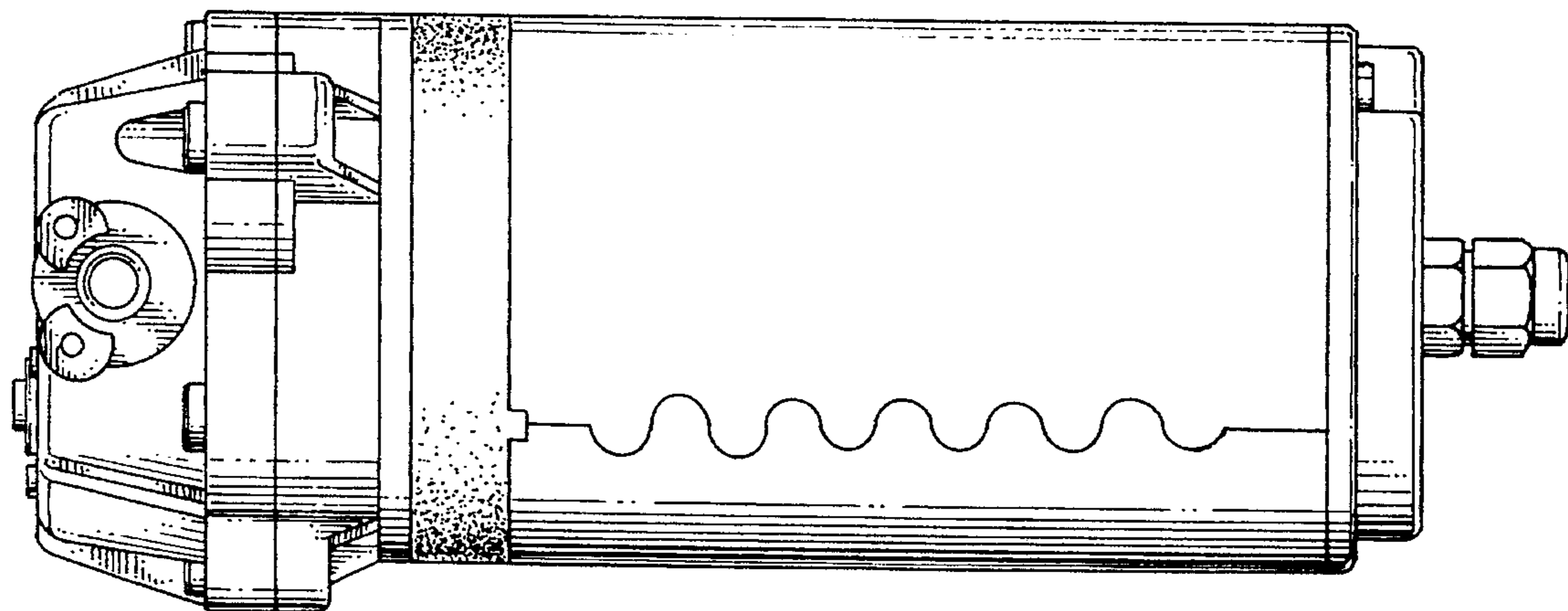


FIG. 3

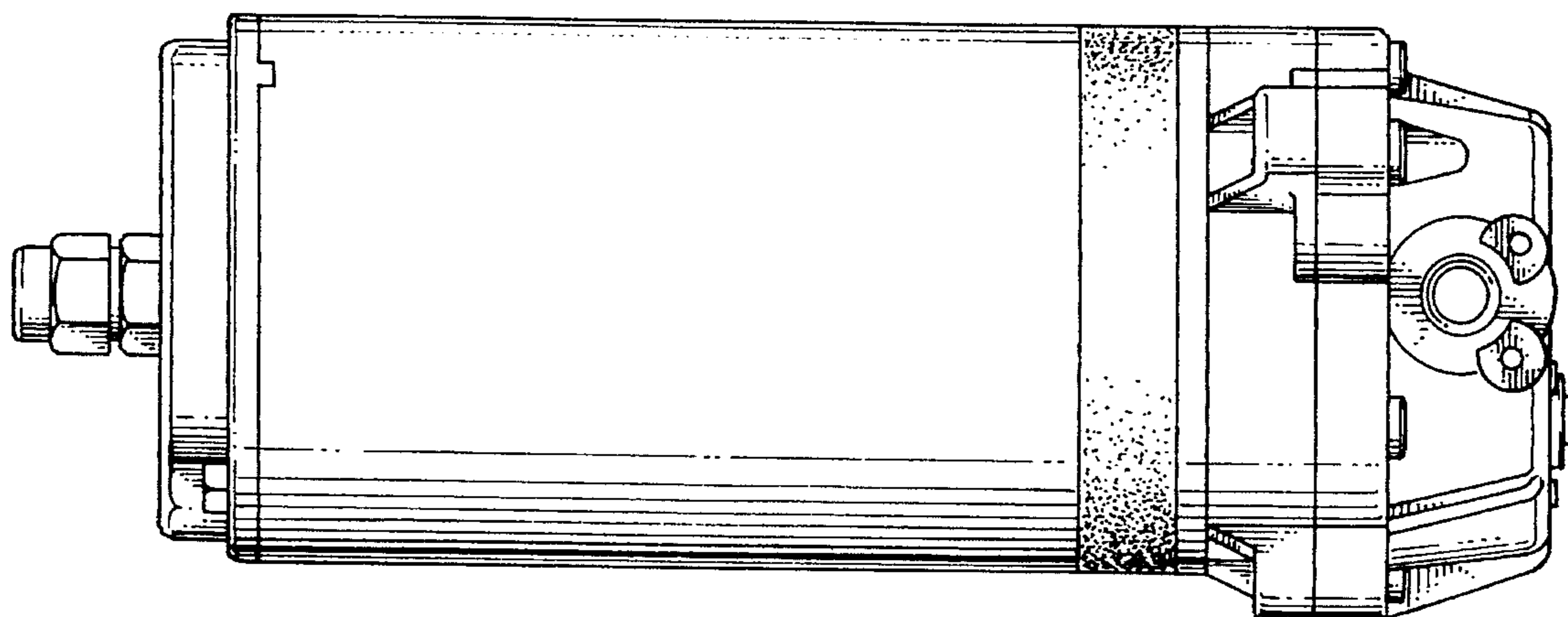


FIG. 4

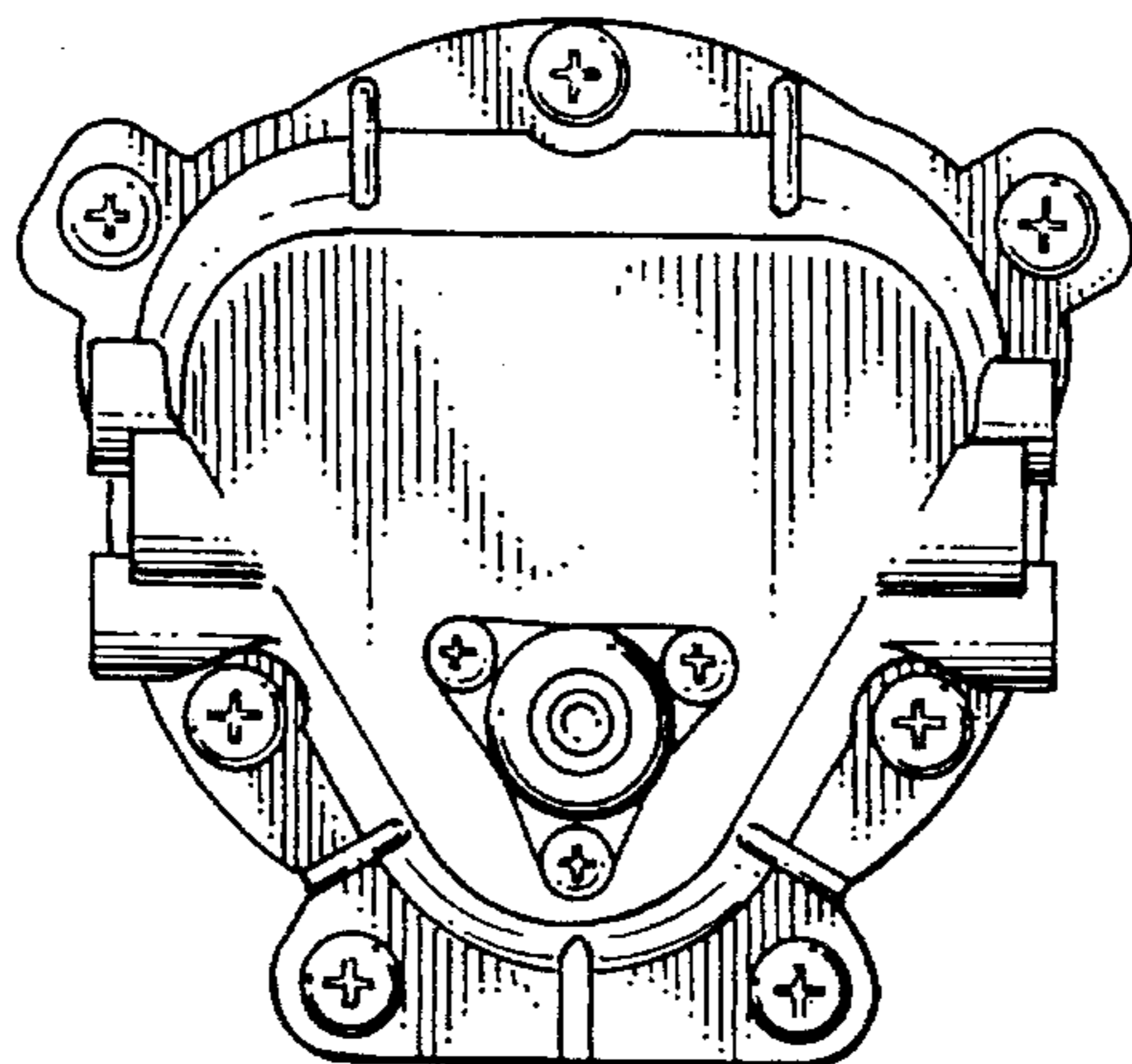


FIG. 5

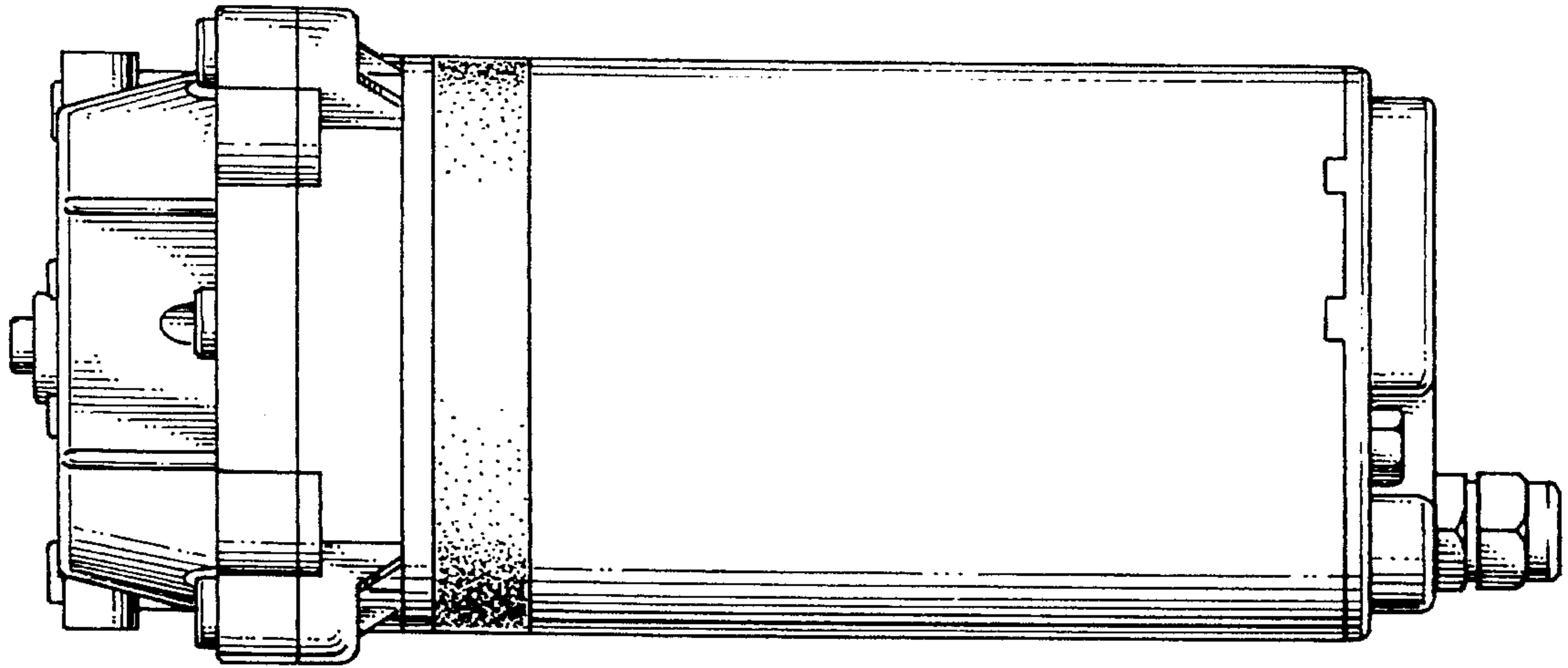


FIG. 6

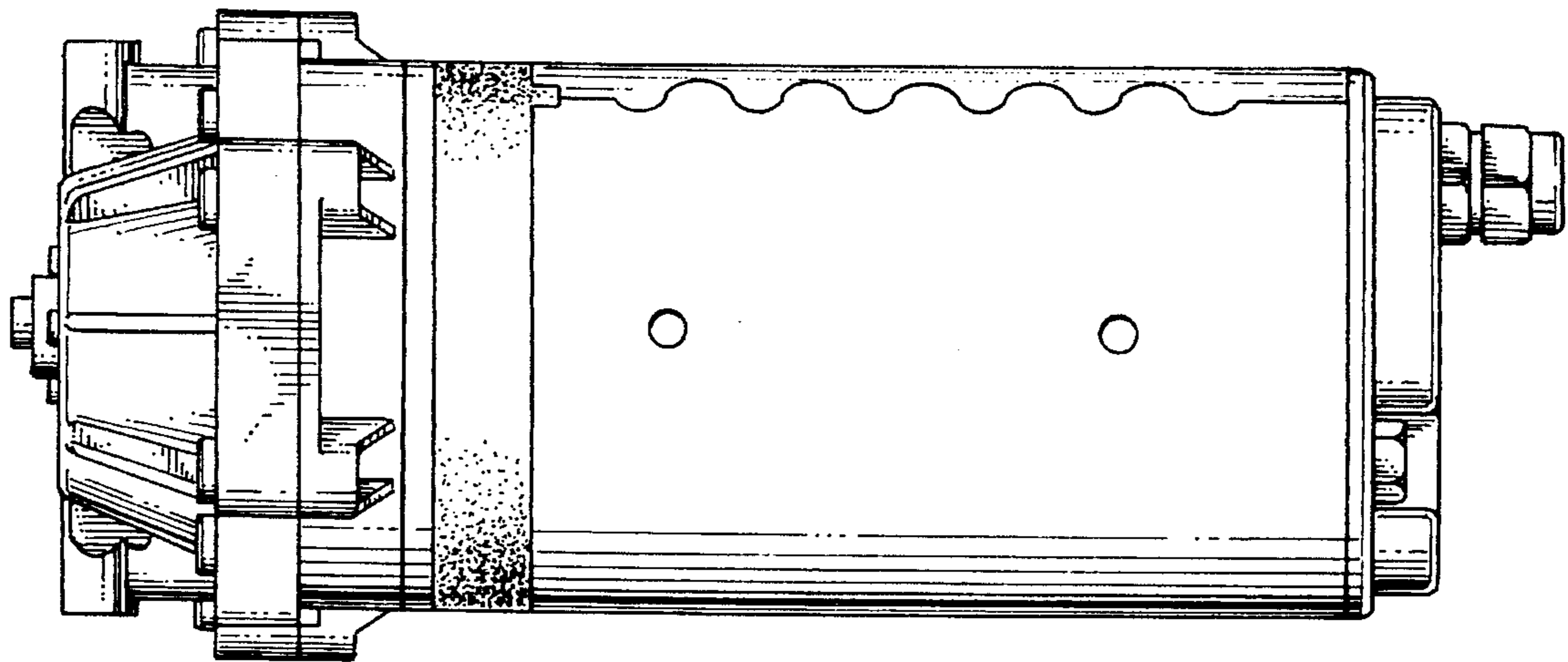


FIG. 7

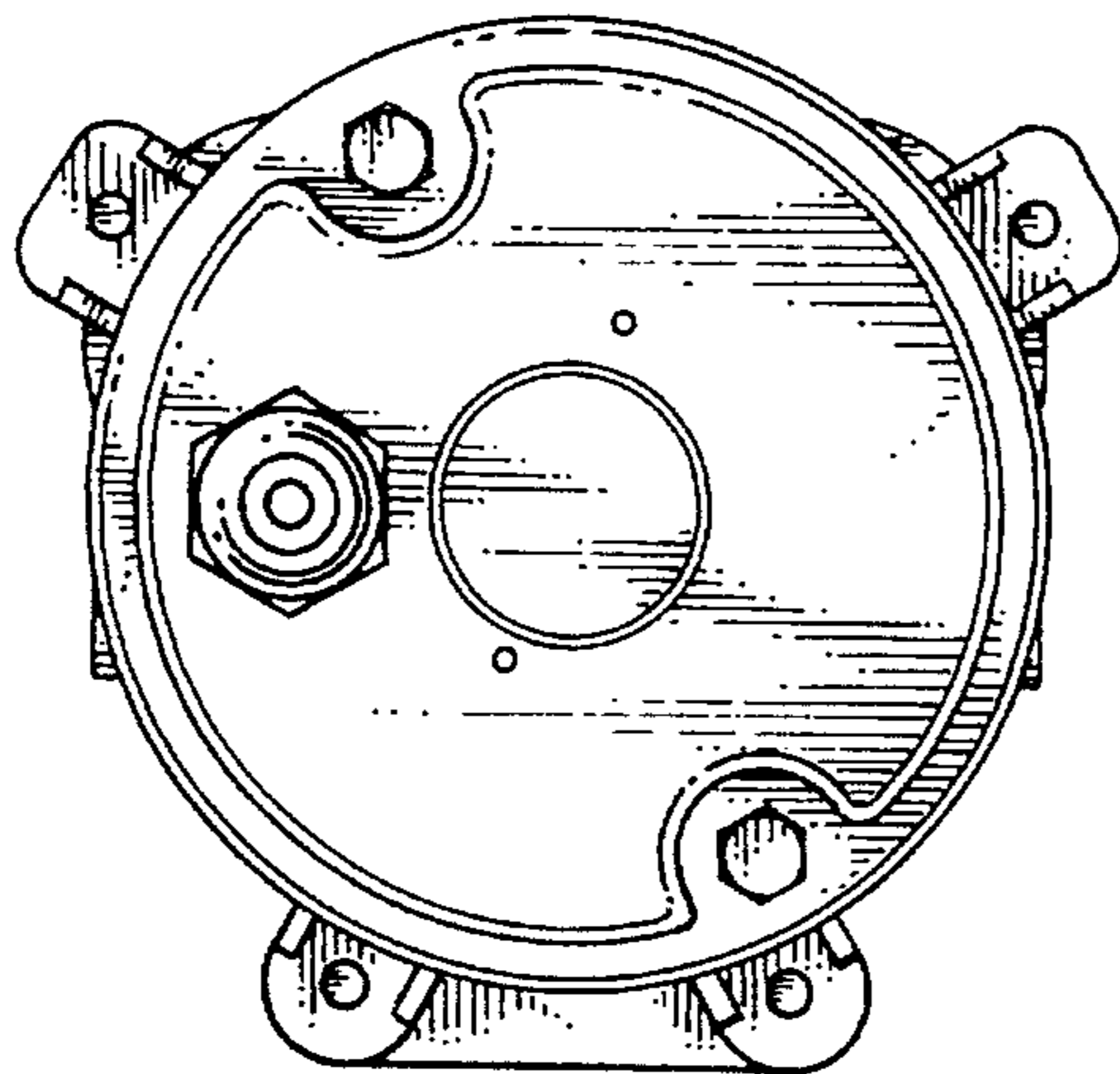


FIG. 8