



US00D373364S

United States Patent [19]
Abe

[11] **Patent Number:** **Des. 373,364**
[45] **Date of Patent:** ****Sep. 3, 1996**

[54] **RODLESS CYLINDER**
[75] Inventor: **Takashi Abe**, Yawara-mura, Japan
[73] Assignee: **SMC Corporation**, Tokyo, Japan
[**] Term: **14 Years**

4,597,721 7/1986 Santeforte D15/7
4,897,023 1/1990 Bingler 417/360

Primary Examiner—Ralf Seifert
Attorney, Agent, or Firm—Oblon, Spivak, McClelland,
Maier & Neustadt, P.C.

[21] Appl. No.: **40,253**
[22] Filed: **May 30, 1995**

[57] **CLAIM**
The ornamental design for rodless cylinder, as shown and described.

[30] **Foreign Application Priority Data**
Nov. 30, 1994 [JP] Japan 6-36463
[52] **U.S. Cl.** **D15/7**
[58] **Field of Search** D15/5, 7-9.1;
417/403, 404, 360; 91/275

DESCRIPTION

FIG. 1 is a top, front and left side perspective view of the rodless cylinder, showing my new design;
FIG. 2 is a front elevational view thereof;
FIG. 3 is a rear view thereof;
FIG. 4 is a top plan view thereof;
FIG. 5 is a bottom view thereof;
FIG. 6 is a left side elevational view thereof;
FIG. 7 is a right side elevational view thereof; and,
FIG. 8 is an enlarged cross-sectional view taken along line 8—8 and FIG. 4.

[56] **References Cited**
U.S. PATENT DOCUMENTS
D. 228,961 10/1973 D'Haem D15/7
D. 332,268 1/1993 Cook et al. D15/7
D. 333,472 2/1993 Aizawa D15/7
D. 334,198 3/1993 Aizawa D15/7

1 Claim, 3 Drawing Sheets

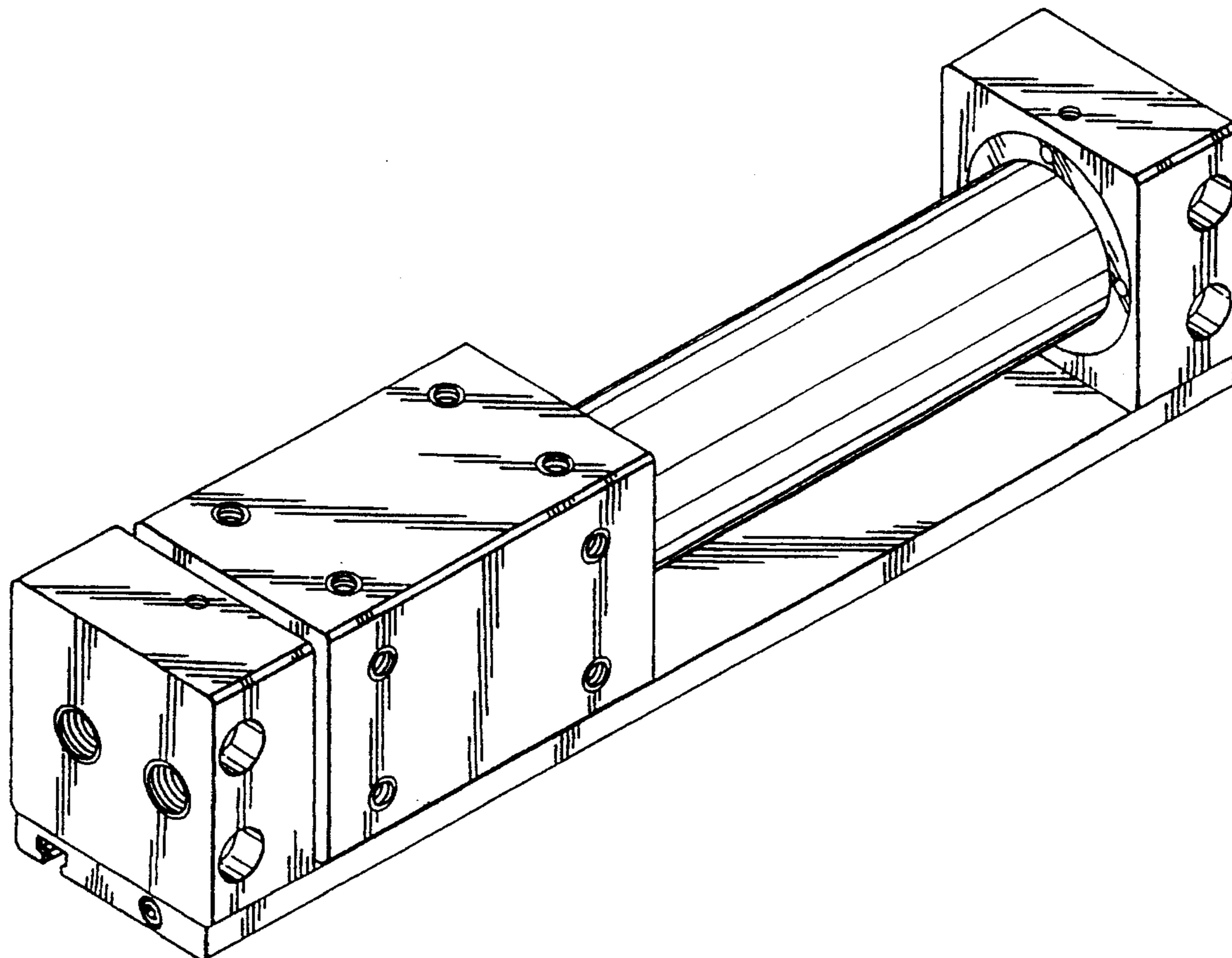


FIG. 6

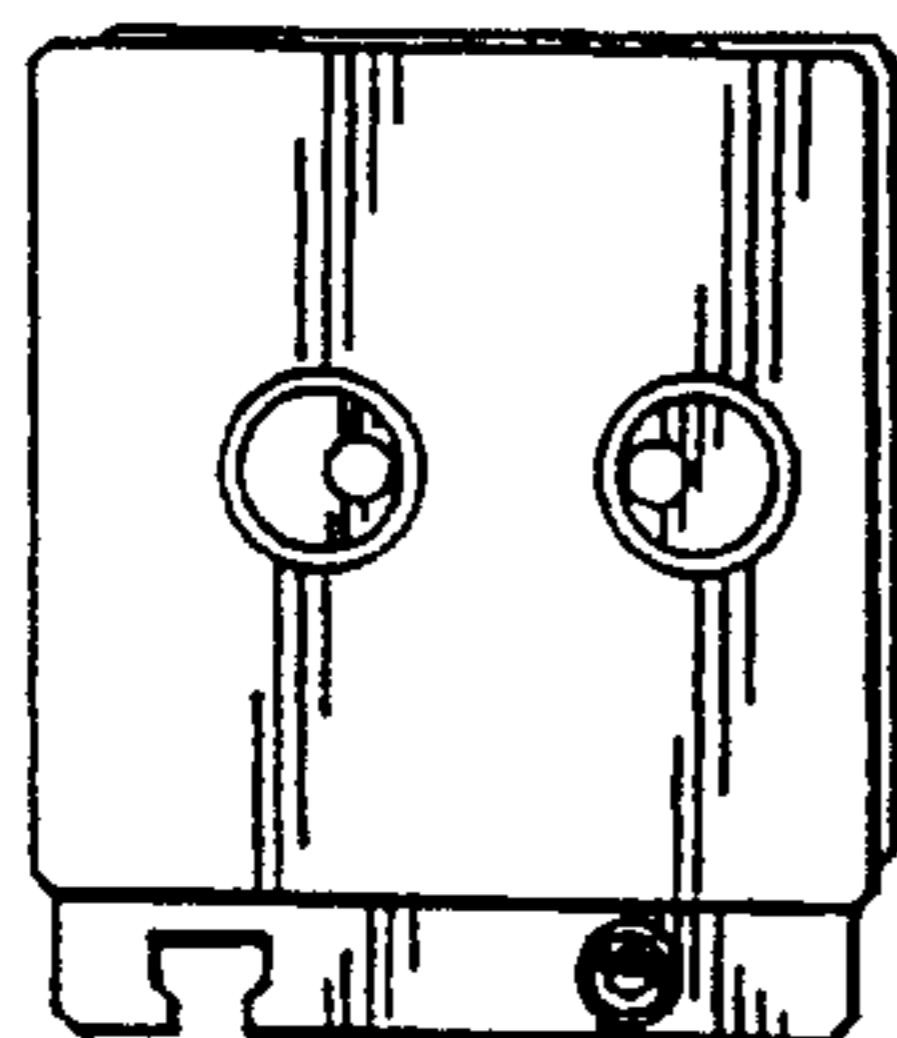


FIG. 7

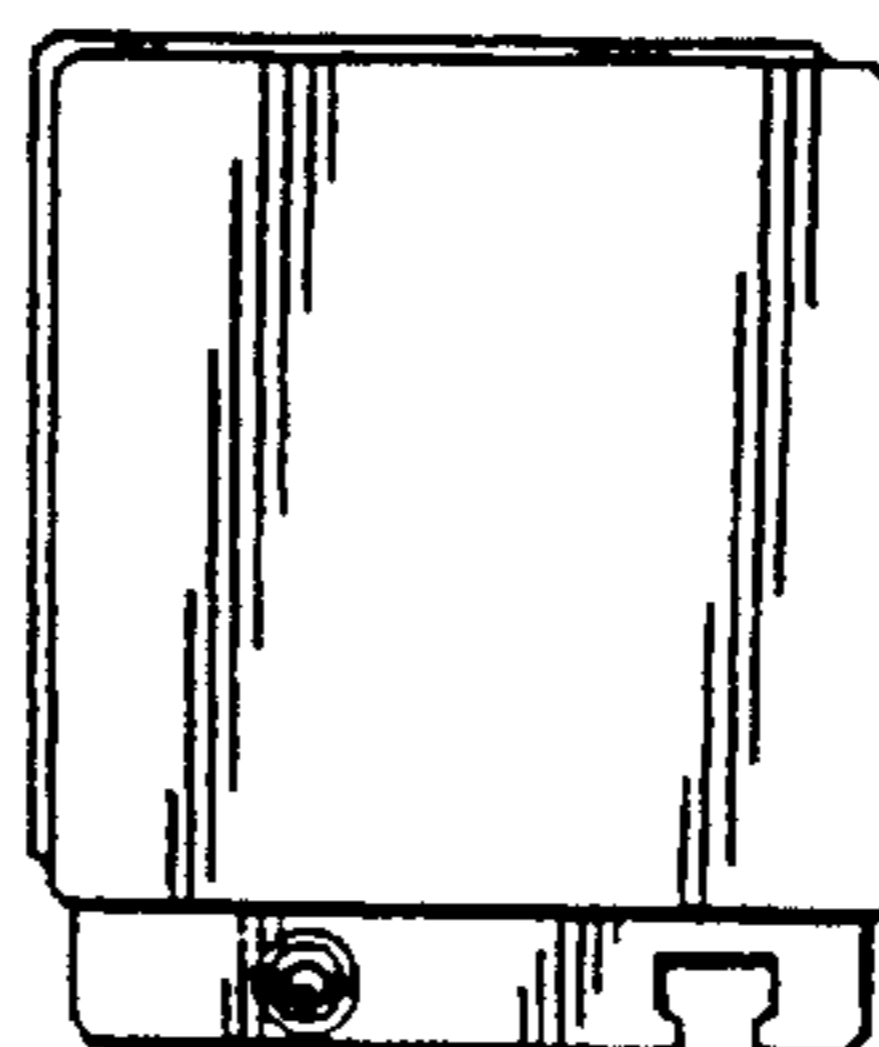


FIG. 1

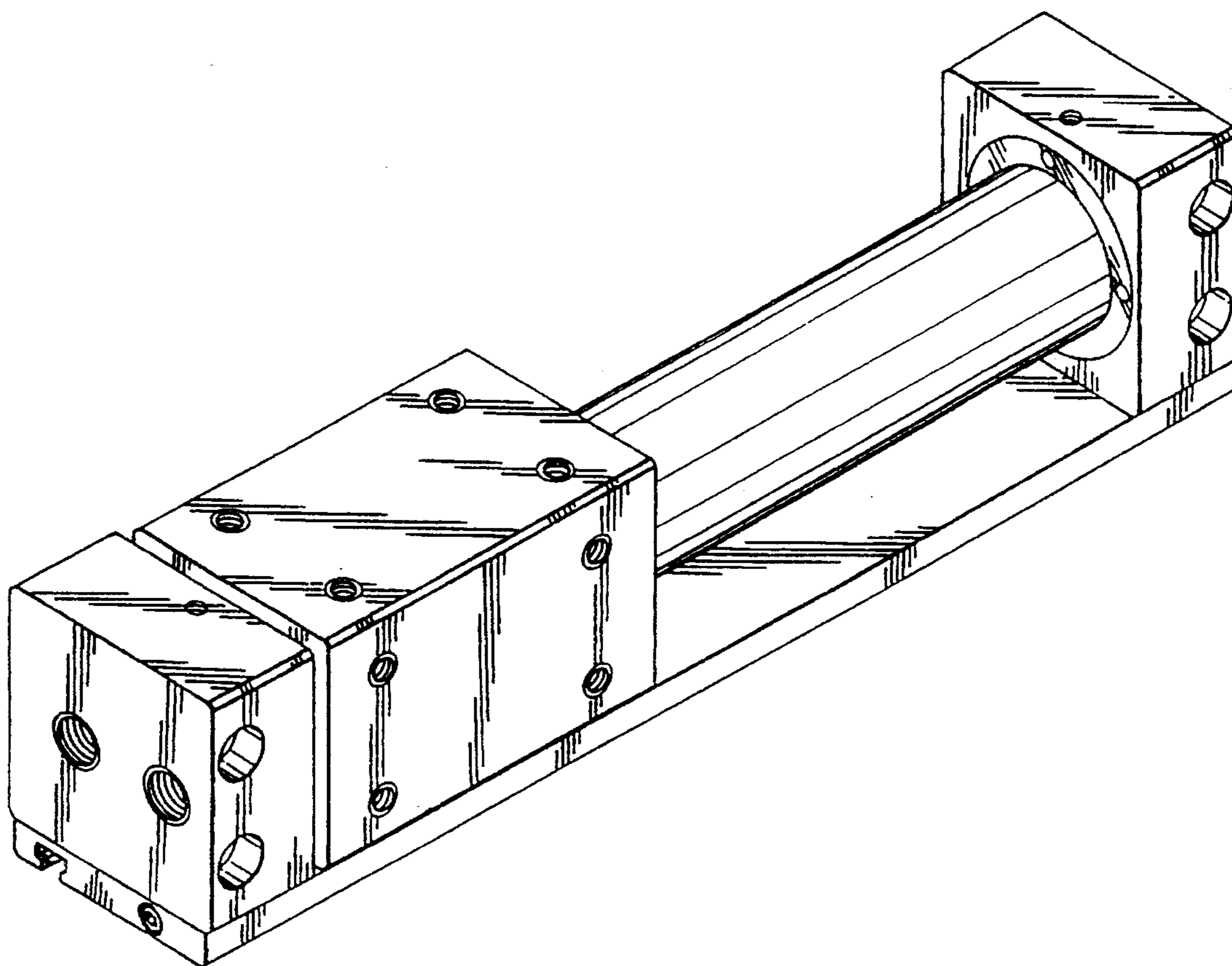


FIG. 2

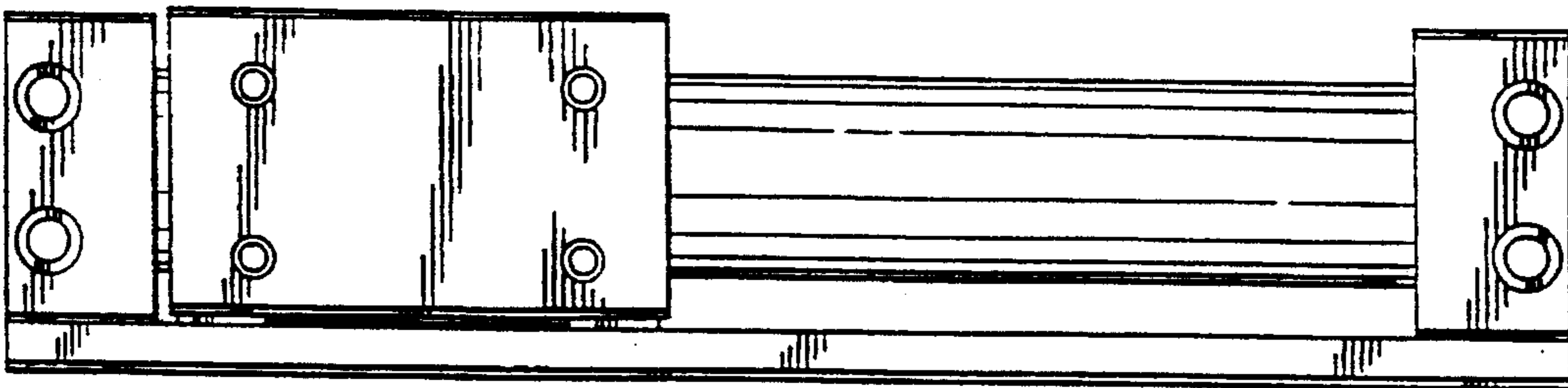


FIG. 3

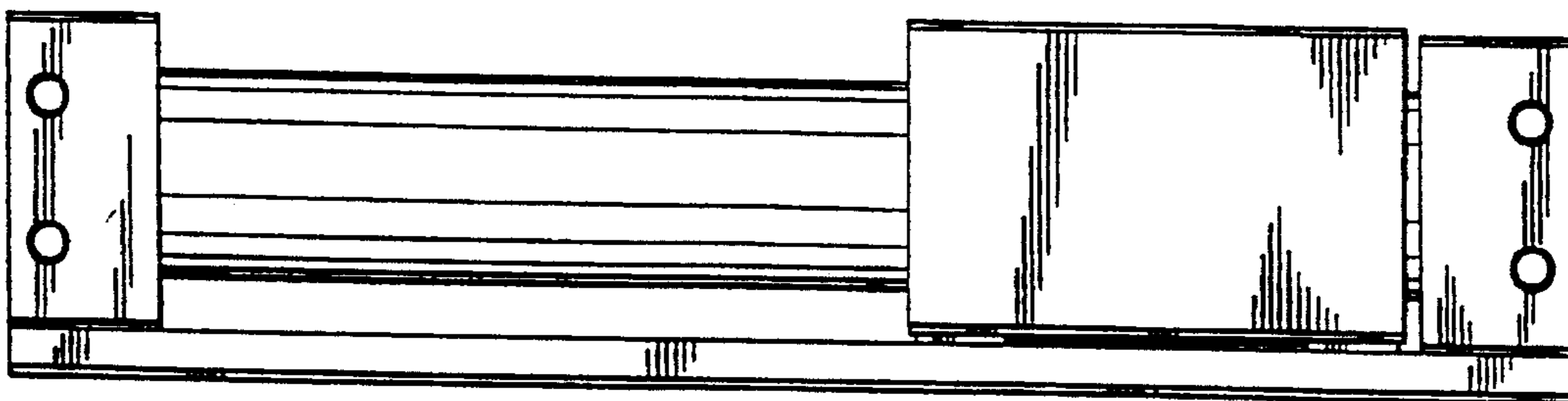


FIG. 4

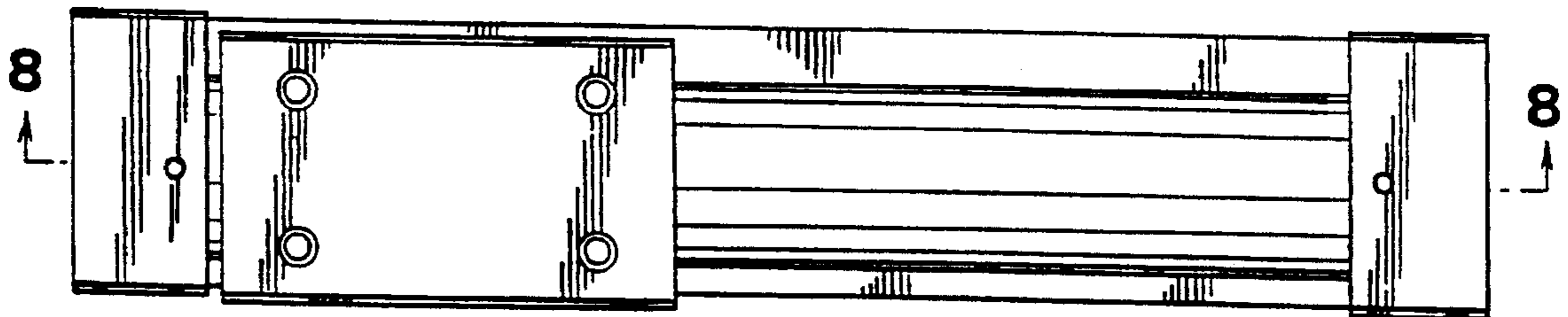


FIG. 5

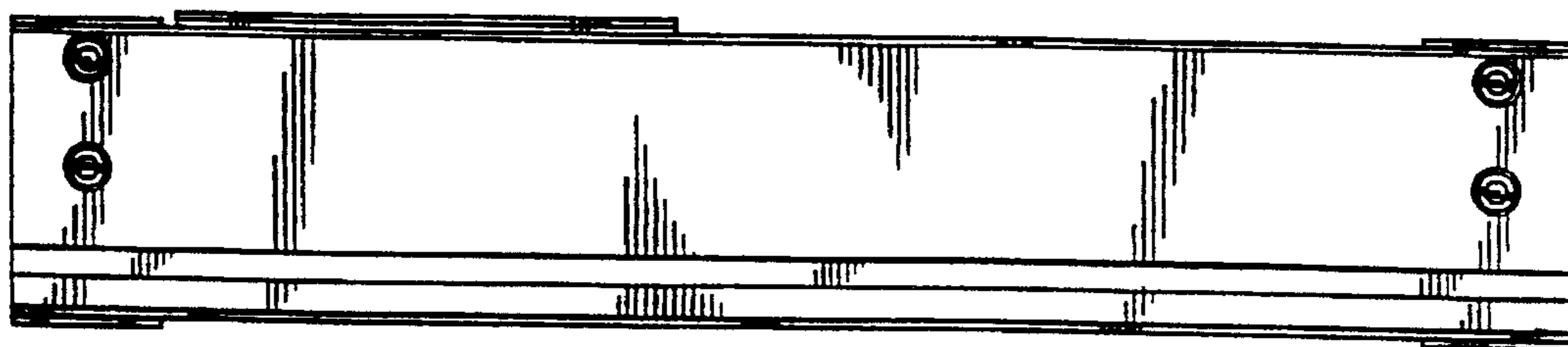


FIG. 8

