



US00D373363S

United States Patent [19]

[11] Patent Number: **Des. 373,363**

Miyachi et al.

[45] Date of Patent: ****Sep. 3, 1996**

[54] AIR CYLINDER WITH A SLIDE TABLE

5,305,683 4/1994 Gosdowski et al. 92/165 R X
5,363,741 11/1994 Takada et al. 92/165 R X
5,413,031 9/1995 Kohlmeyer 92/165 R

[75] Inventors: **Hiroshi Miyachi; Mitsutoshi Araki; Yoshiteru Ueno; Norihide Yamase**, all of Ibaraki-ken, Japan

Primary Examiner—Holly H. Baynham
Attorney, Agent, or Firm—Oblon, Spivak, McClelland, Maier & Neustadt, P.C.

[73] Assignee: **SMC Kabushiki Kaisha**, Tokyo, Japan

[**] Term: **14 Years**

[57] **CLAIM**

[21] Appl. No.: **31,134**

The ornamental design for air cylinder with a slide table, as shown and described.

[22] Filed: **Nov. 18, 1994**

DESCRIPTION

[30] **Foreign Application Priority Data**

FIG. 1 is a top plan view of air cylinder with a slide table, showing our new design;
FIG. 2 is a front view thereof;
FIG. 3 is a bottom view thereof;
FIG. 4 is a rear view thereof;
FIG. 5 is a left side view thereof;
FIG. 6 is a right side view thereof;
FIG. 7 is a top, front and left side perspective view thereof; and,
FIG. 8 is a perspective view in an extended position.

May 18, 1994 [JP] Japan 6-14089

[52] U.S. Cl. **D15/5; D15/7; D15/143**

[58] Field of Search 92/165 R, 88, 92/5 R, 146, 161; D15/5, 7, 143; 384/49, 43; 277/DIG. 7

[56] **References Cited**

U.S. PATENT DOCUMENTS

D. 329,434 9/1992 Toyoda et al. D15/5
D. 351,848 10/1994 Yamazaki D15/143

1 Claim, 4 Drawing Sheets

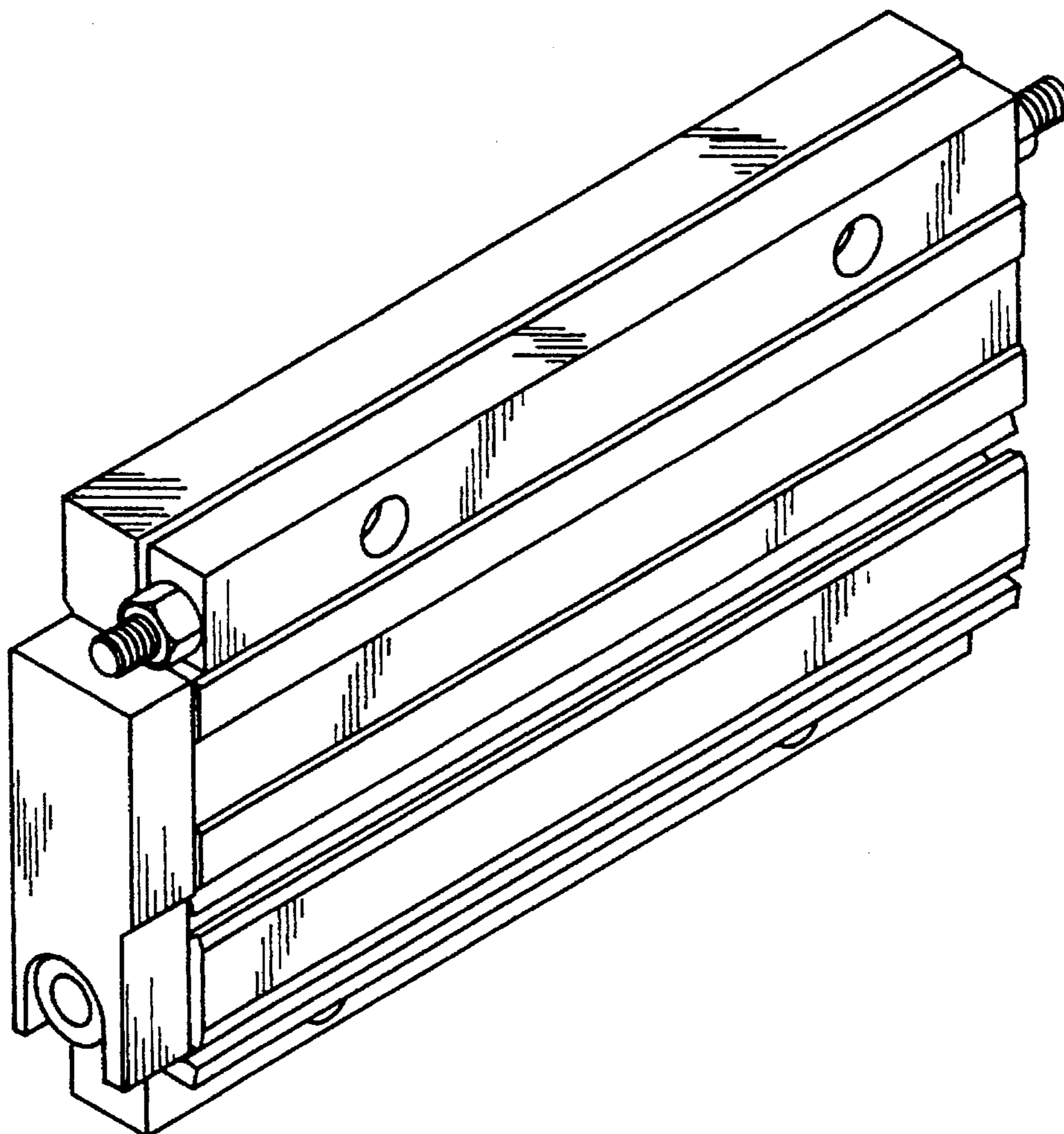


FIG.1

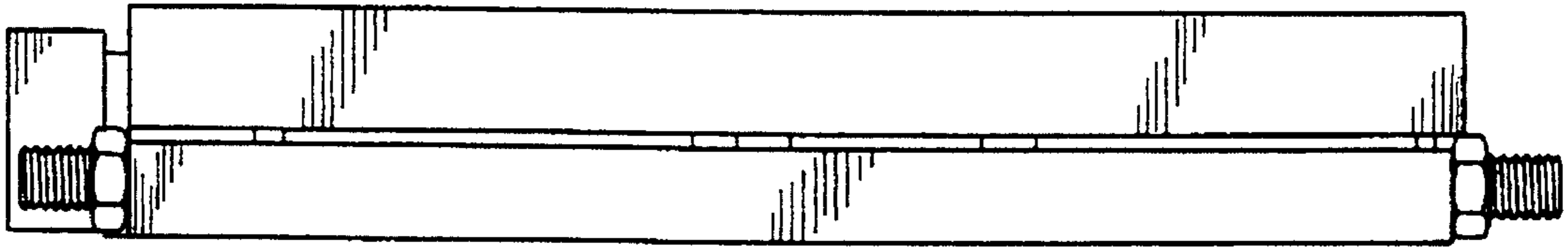


FIG.2

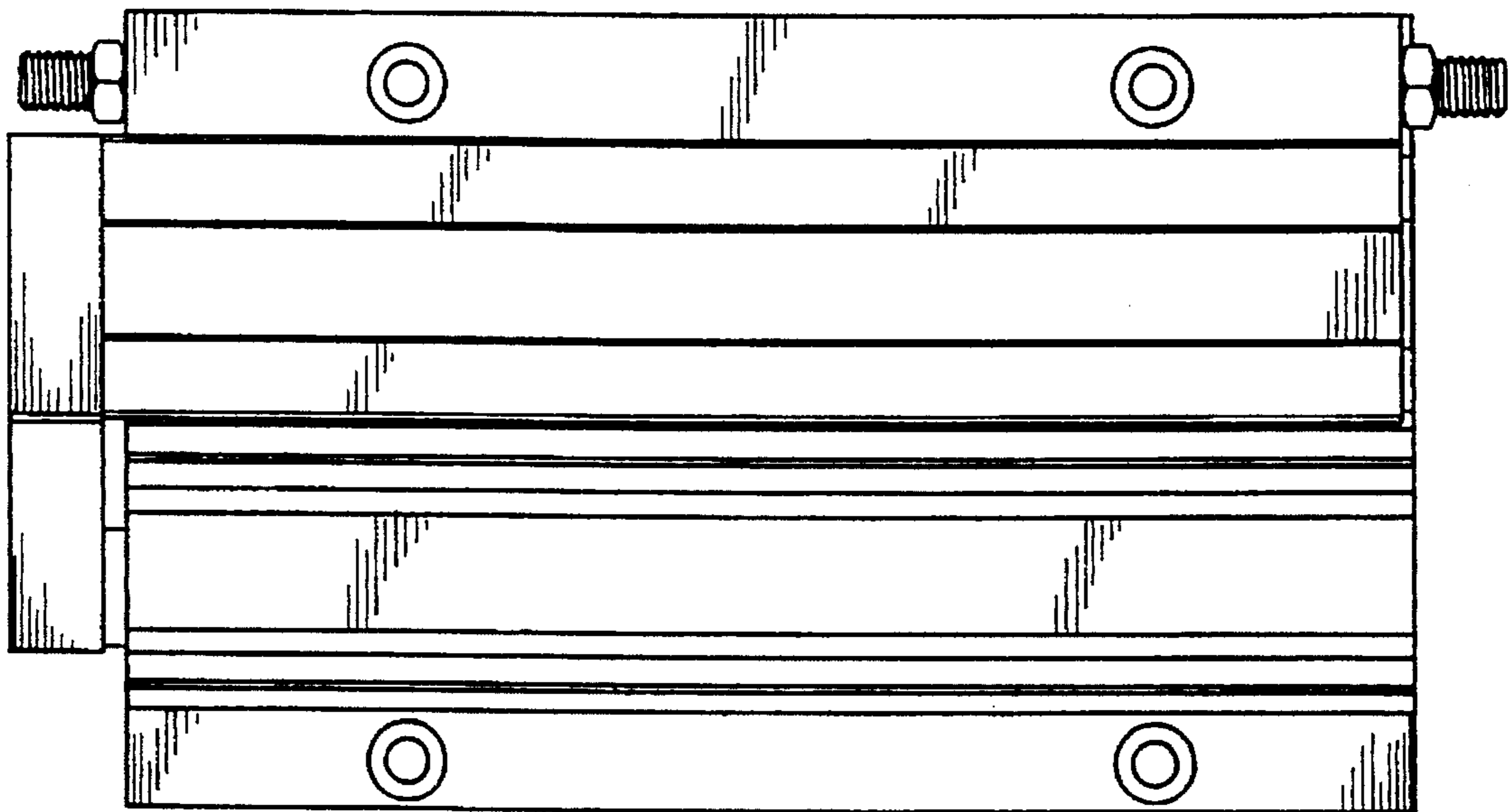


FIG.3

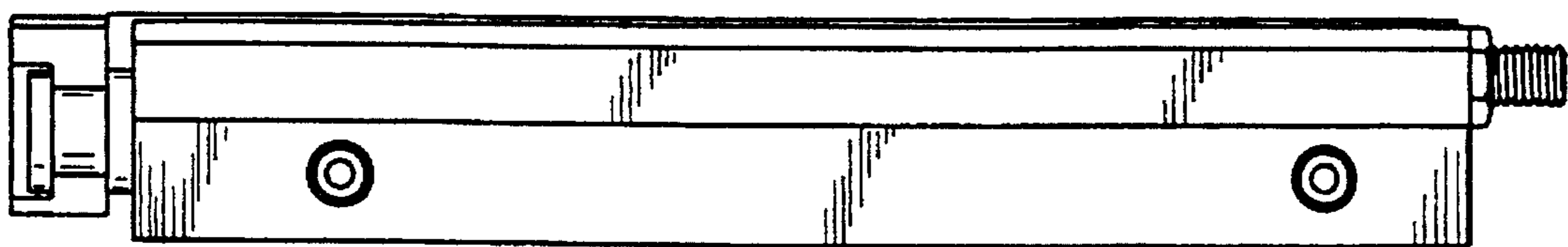


FIG. 4

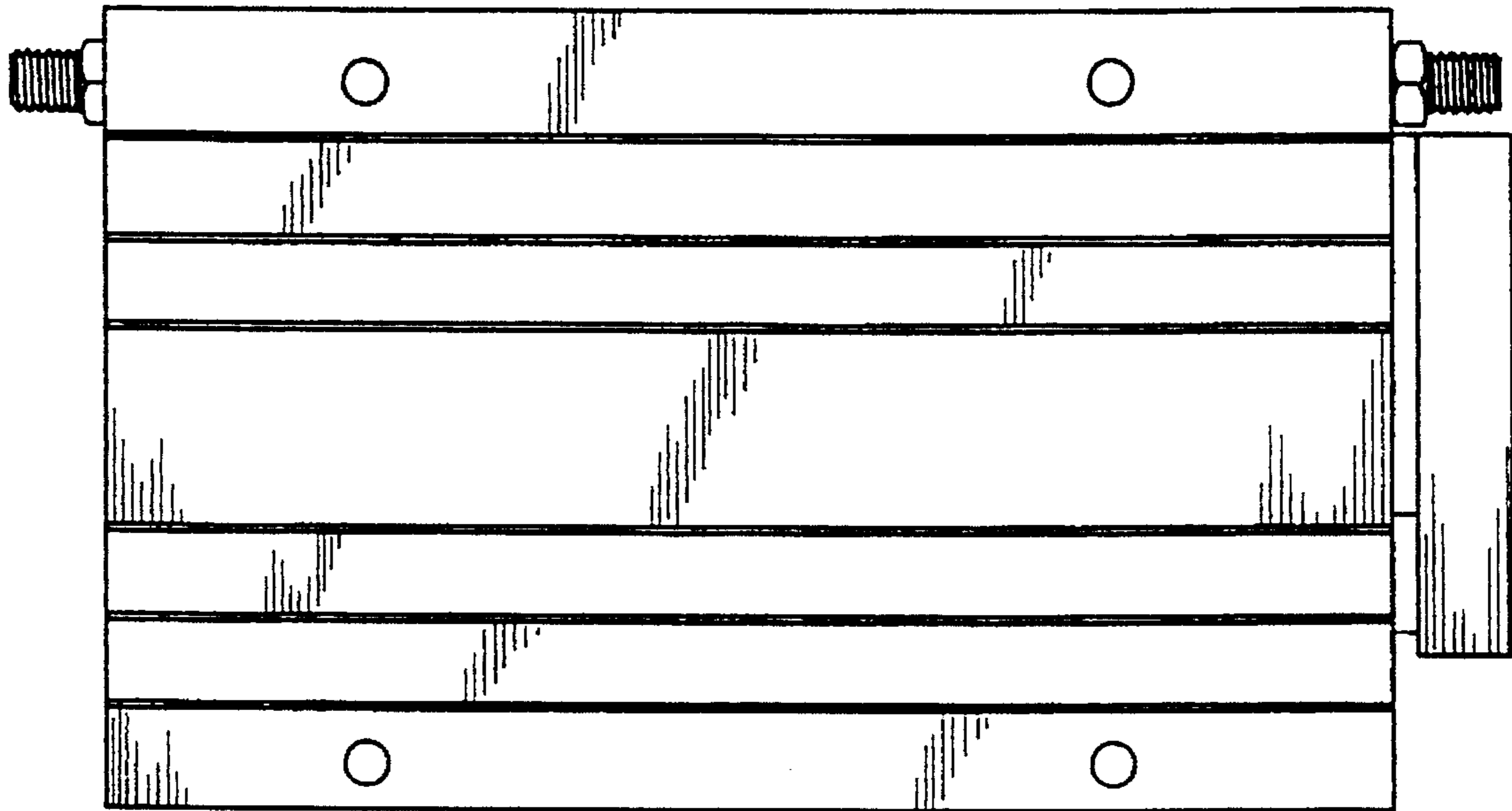


FIG. 5



FIG. 6

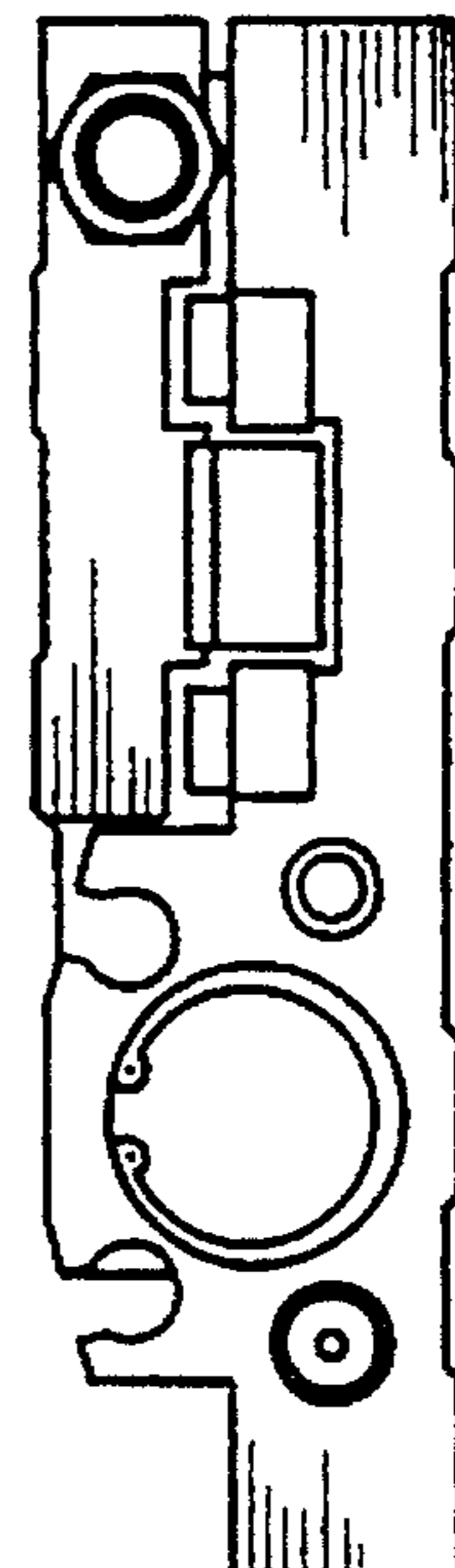
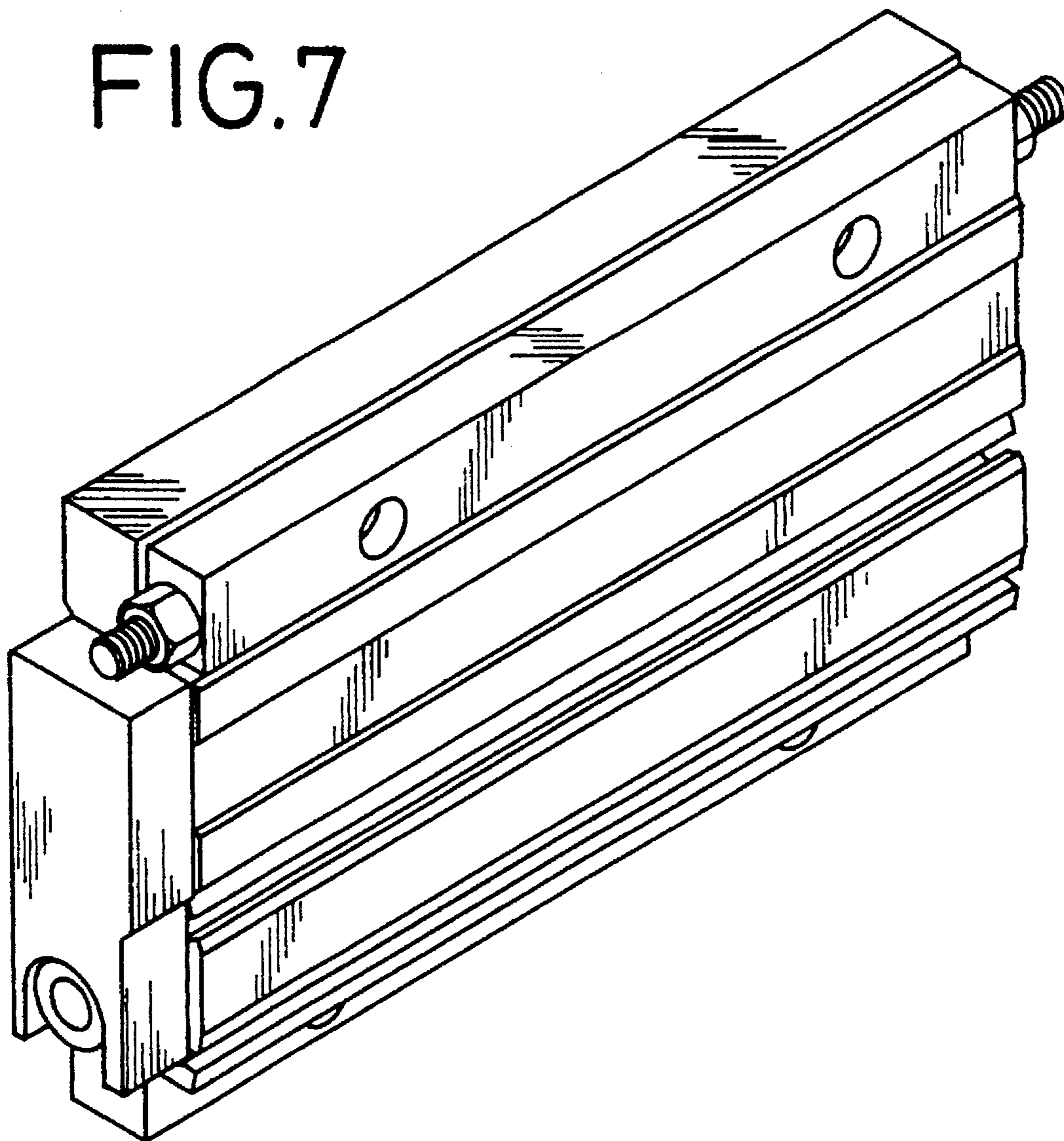


FIG. 7



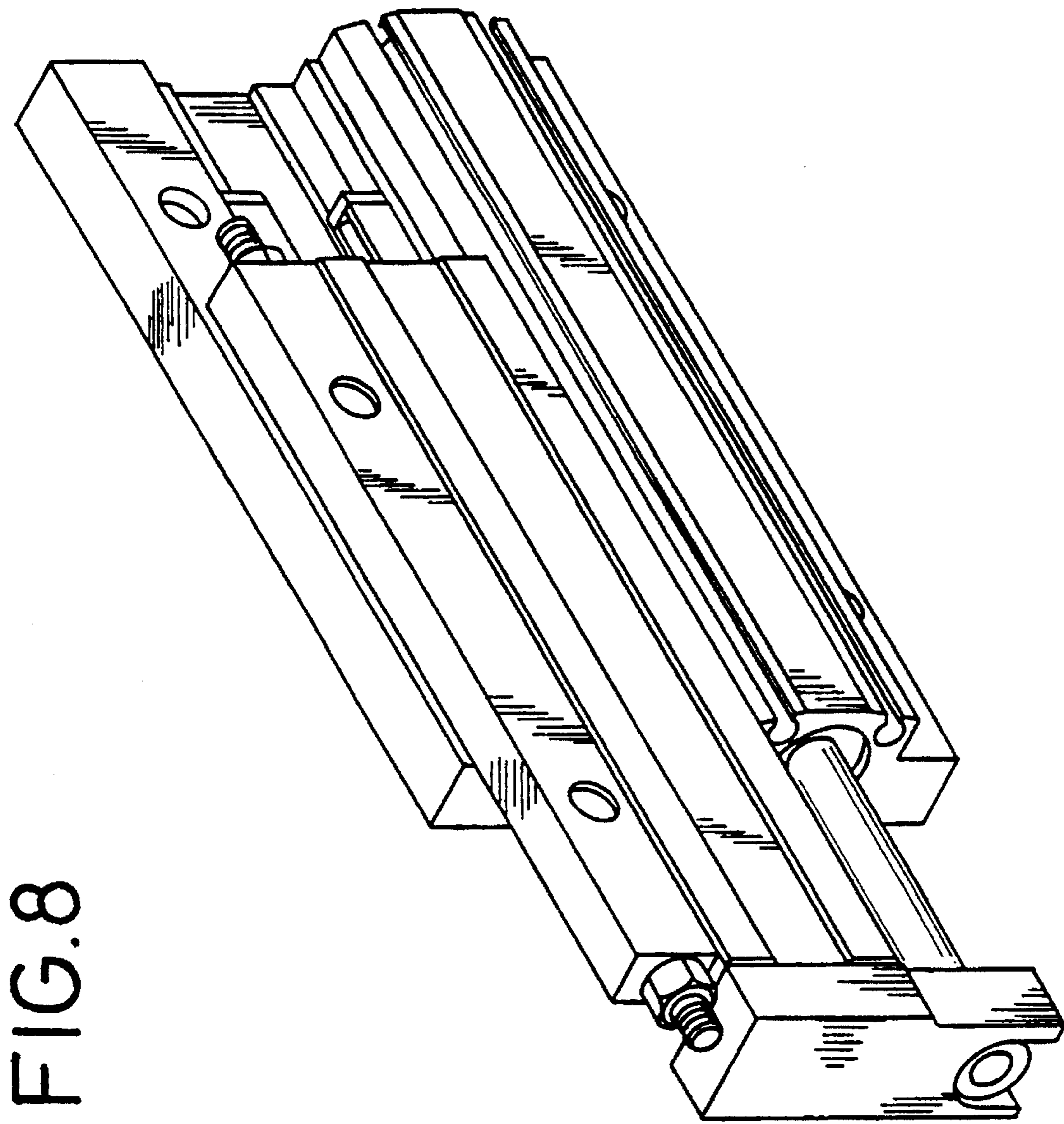


FIG. 8