



US00D373357S

United States Patent [19]

[11] Patent Number: **Des. 373,357**

Wong

[45] Date of Patent: ****Sep. 3, 1996**

[54] **CLOCK RADIO**

[75] Inventor: **Shu K. Wong**, Hong Kong, Hong Kong

[73] Assignee: **Ballanda Limited**, Kwai Chung, Hong Kong

[**] Term: **14 Years**

[21] Appl. No.: **33,315**

[22] Filed: **Jan. 10, 1995**

[52] U.S. Cl. **D14/170**; D10/2

[58] Field of Search D10/1, 2, 15; D14/124, D14/168-171, 188, 192-195, 197-198, 299; 455/344, 350, 351

[56] **References Cited**

U.S. PATENT DOCUMENTS

D. 318,471	7/1991	Nada	D14/163
D. 321,688	11/1991	To Yung Pang	D14/170
D. 343,617	1/1994	Kawase	D14/170
4,705,408	11/1987	Jordi	D10/2 X

Primary Examiner—Sandra L. Morris
Assistant Examiner—Nanda Bondade
Attorney, Agent, or Firm—Beveridge, DeGrandi, Weilacher & Young, L.L.P.

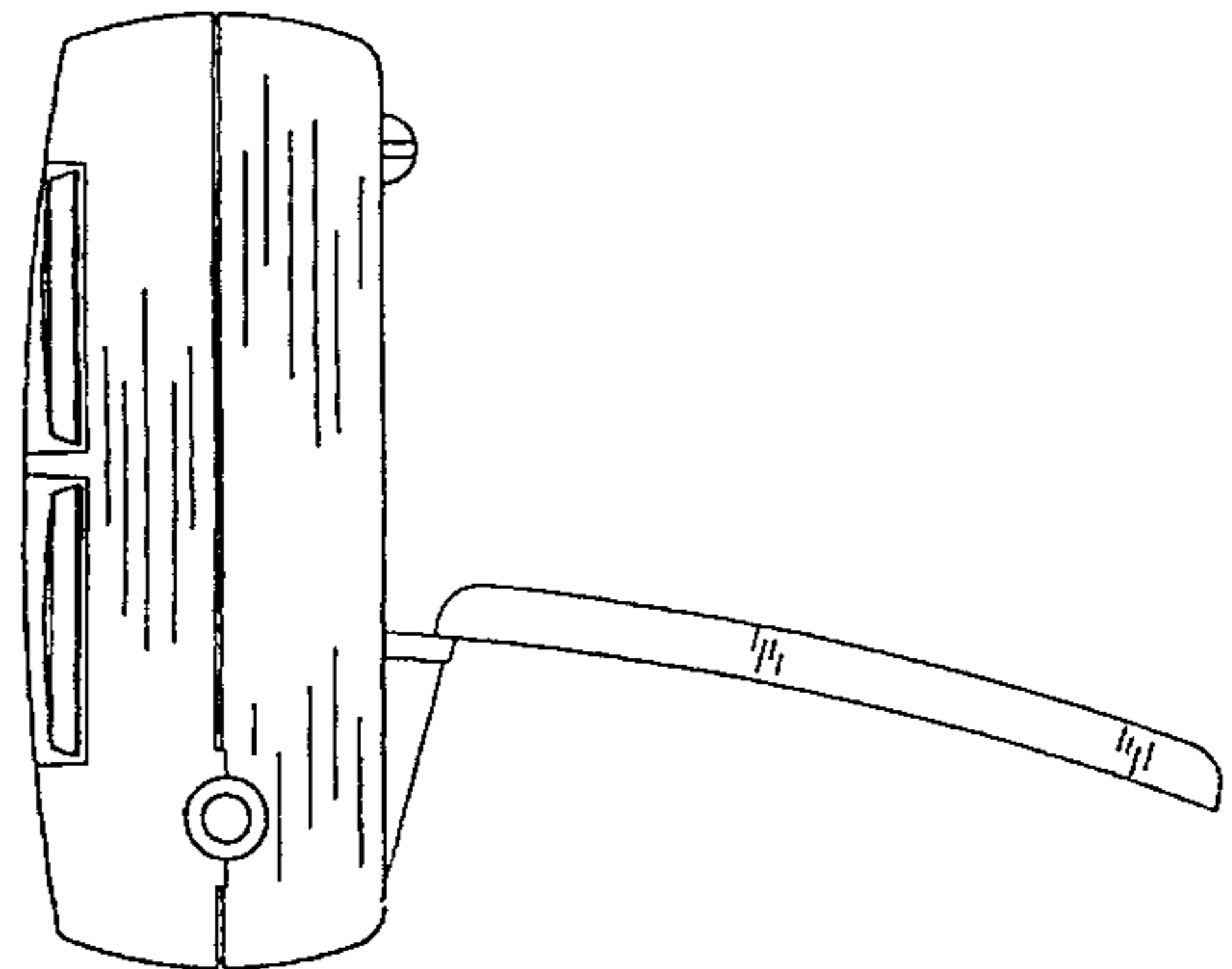
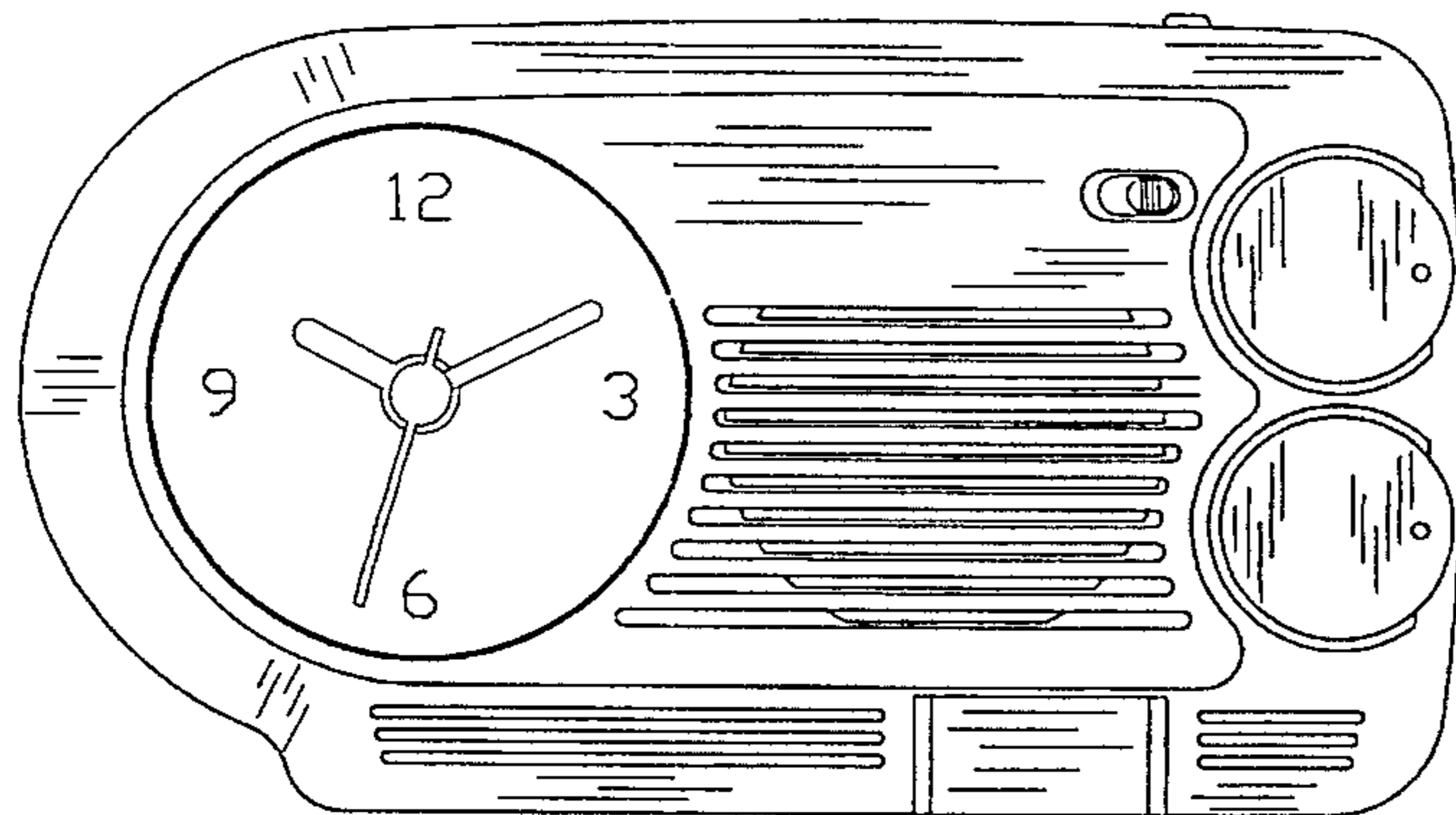
[57] **CLAIM**

The ornamental design for a clock radio, as shown and described.

DESCRIPTION

FIG. 1 is a front elevational view of a clock radio showing my new design;
FIG. 2 is a back elevational view thereof;
FIG. 3 is a left side elevational view thereof;
FIG. 4 is a right side elevational view thereof;
FIG. 5 is a top plan view thereof;
FIG. 6 is a bottom plan view thereof;
FIG. 7 is a front elevational view thereof, with lid being in a covered position;
FIG. 8 is a back elevational view thereof, with lid being in a covered position;
FIG. 9 is a left side elevational view thereof, with lid being in a covered position;
FIG. 10 is a right side elevational view thereof, with lid being in a covered position;
FIG. 11 is a top plan view thereof, with the lid being in a covered position; and,
FIG. 12 is a bottom plan view thereof, with the lid being in a covered position.

1 Claim, 12 Drawing Sheets



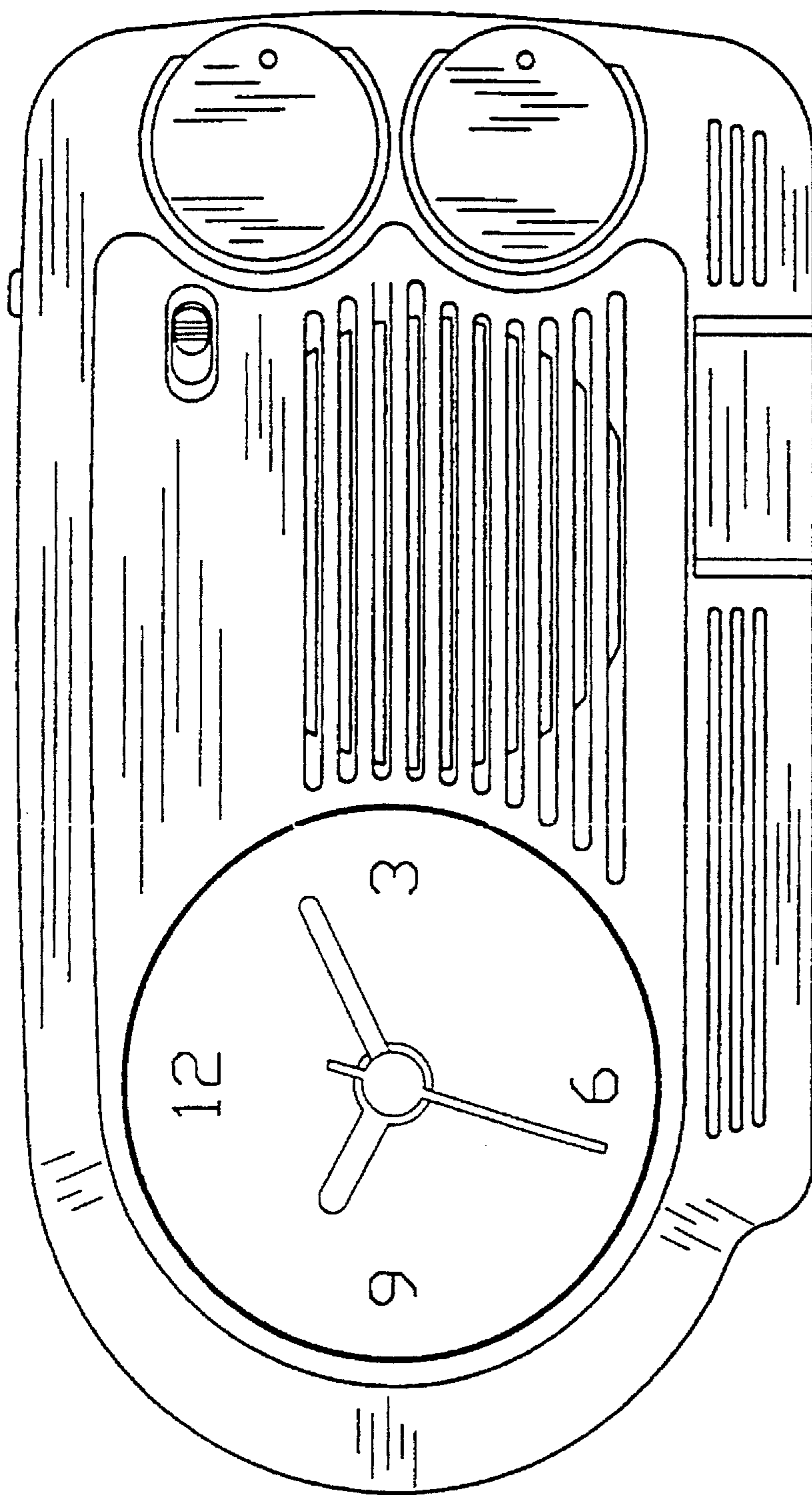


FIG. 1

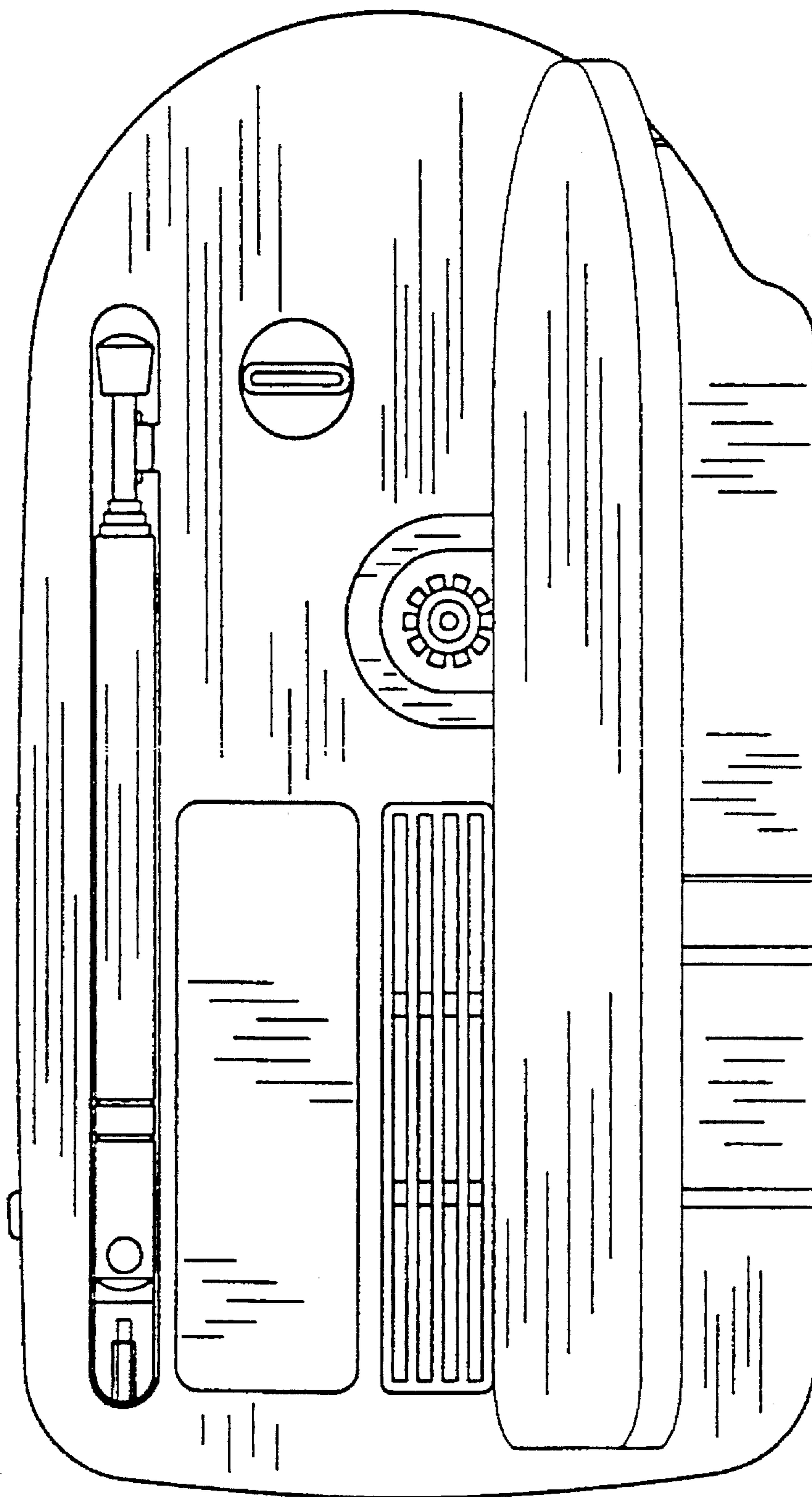


FIG. 2

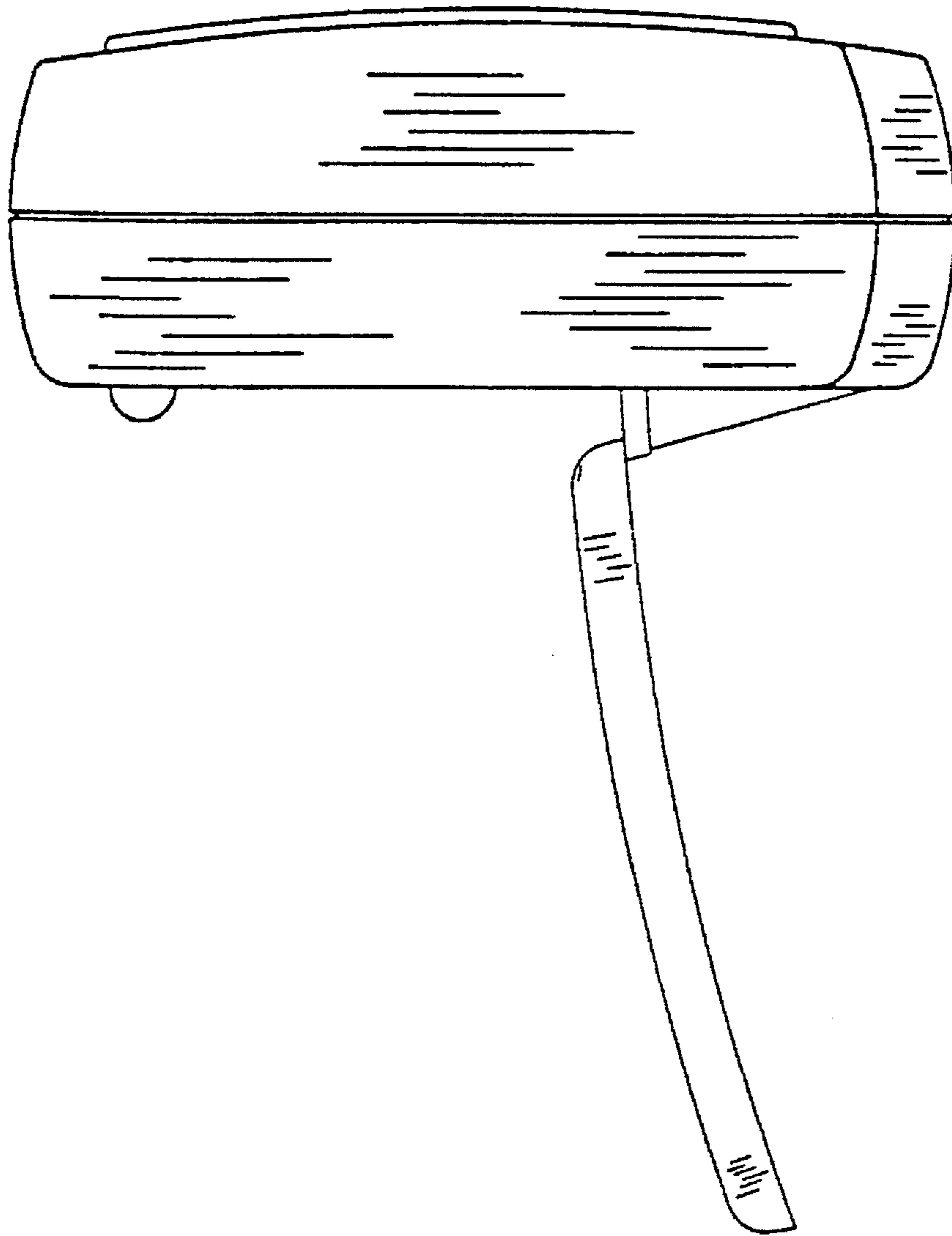


FIG. 3

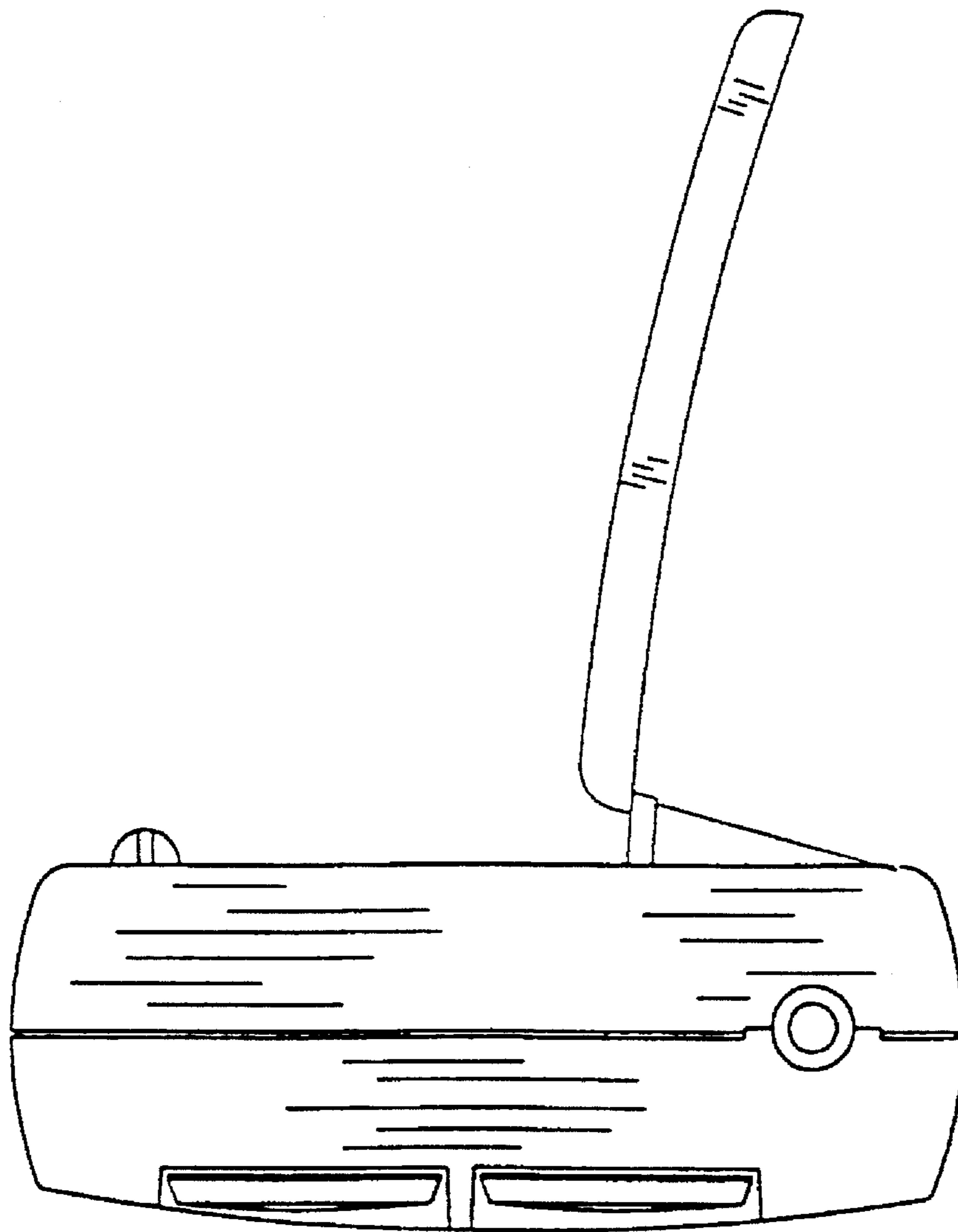


FIG. 4

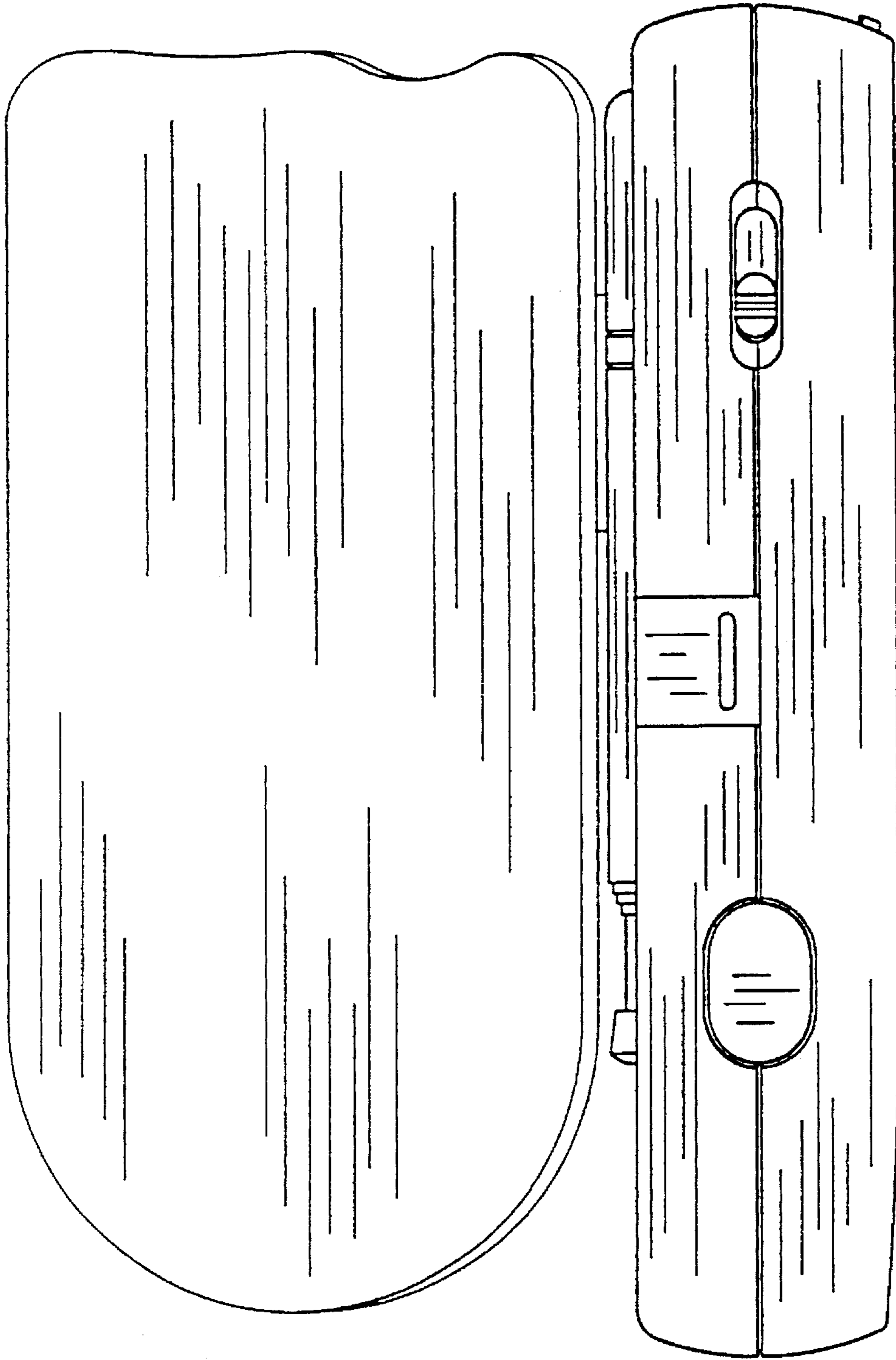


FIG. 5

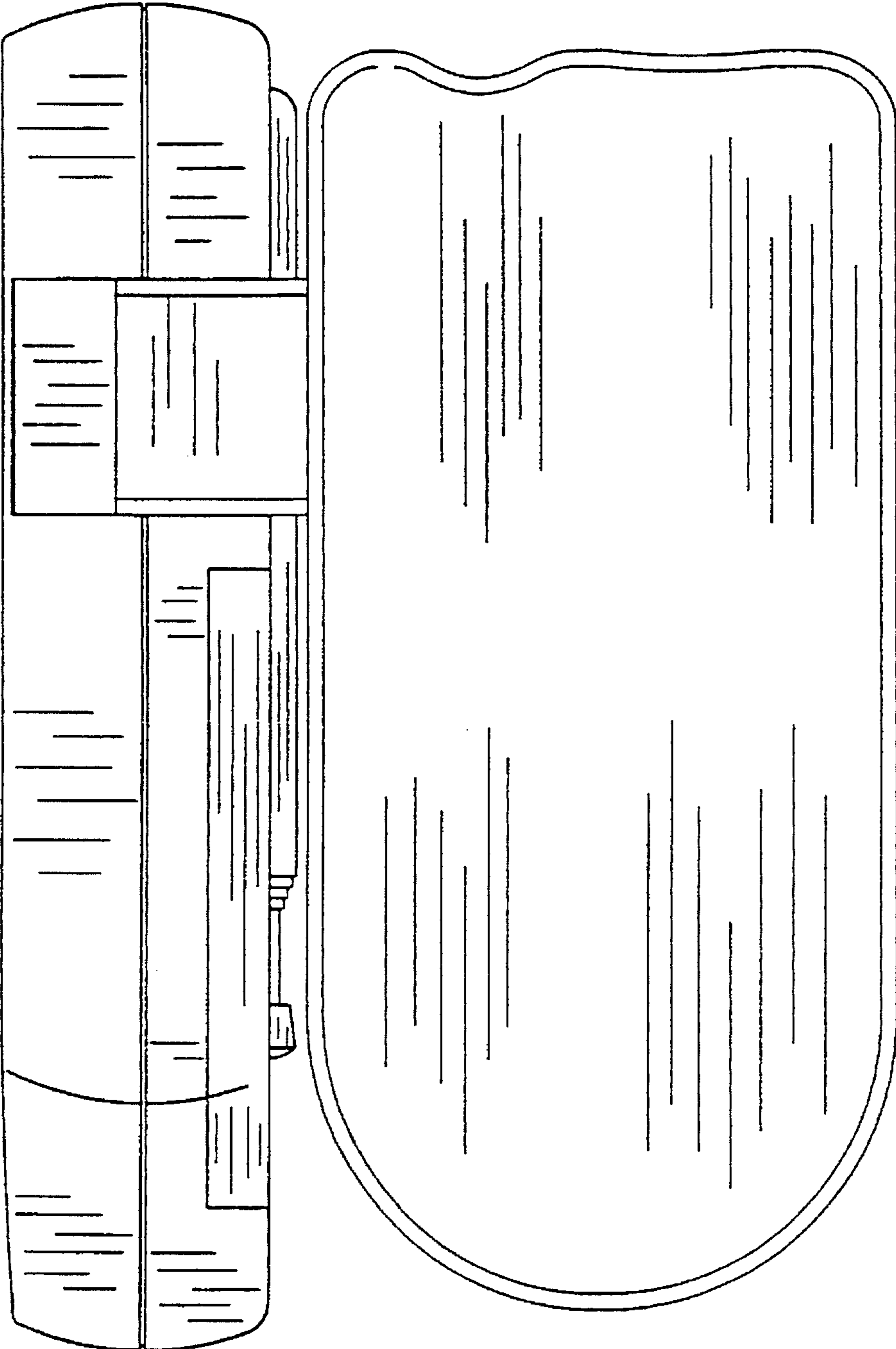


FIG. 6

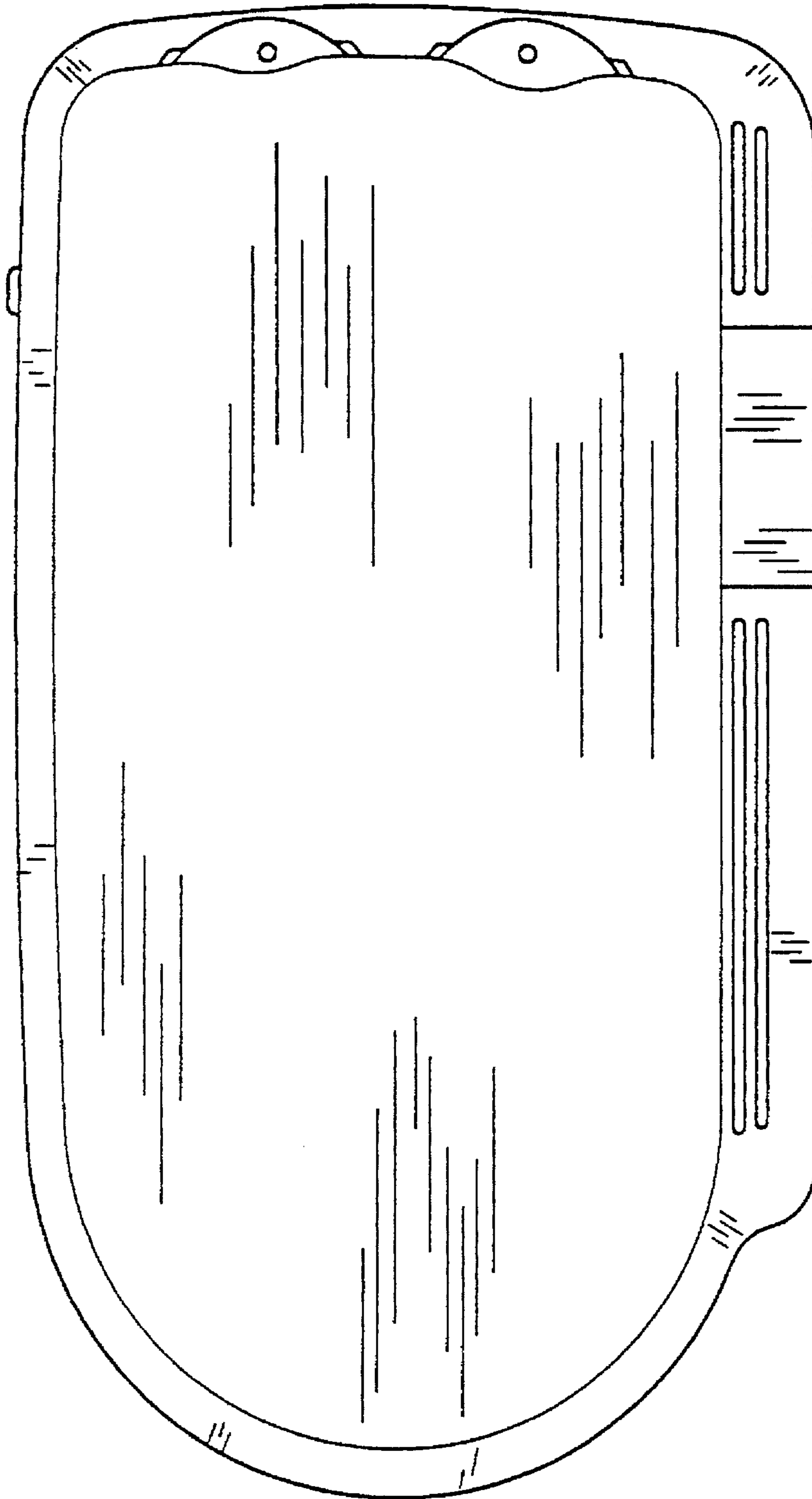


FIG. 7

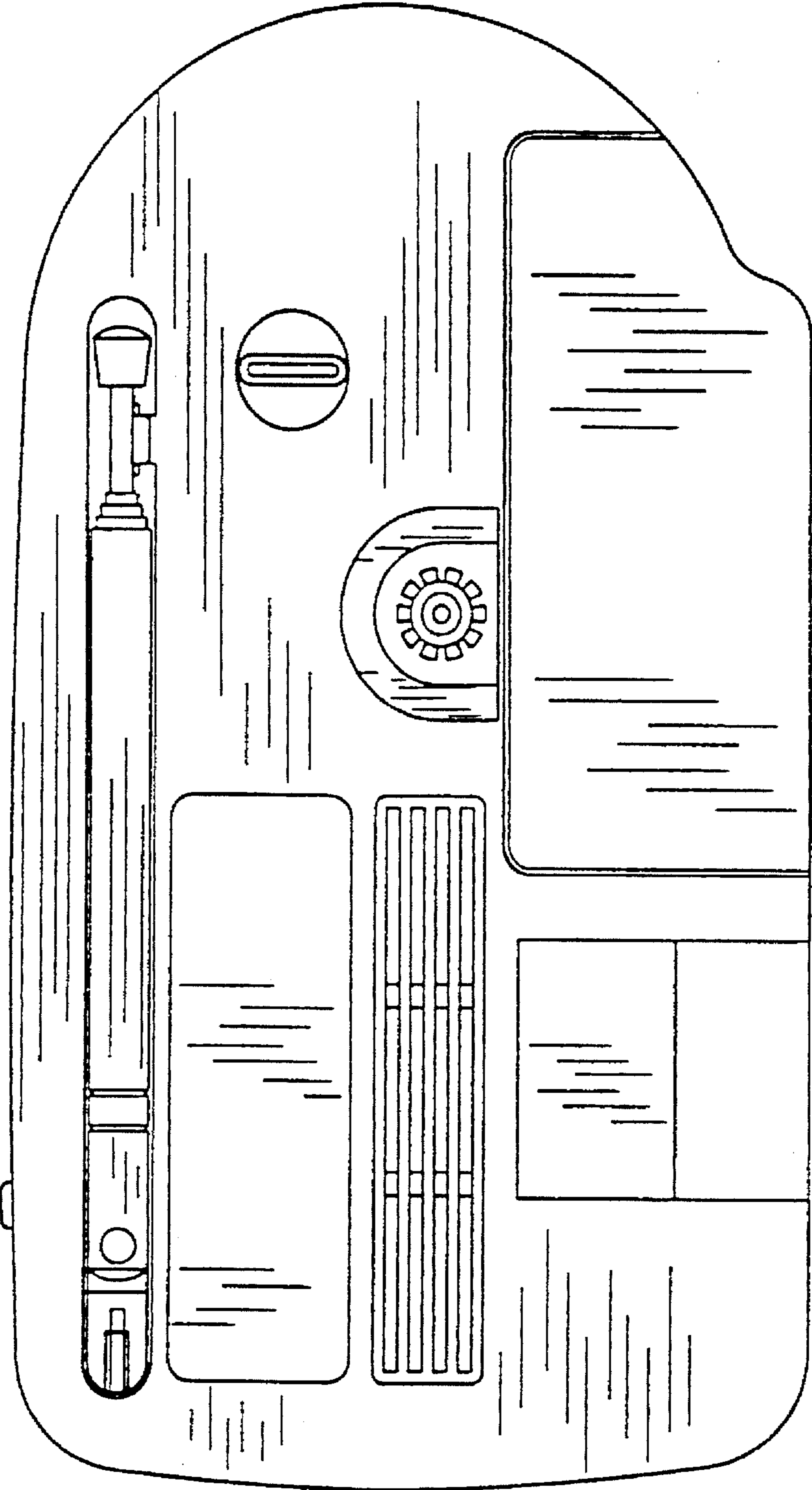


FIG. 8

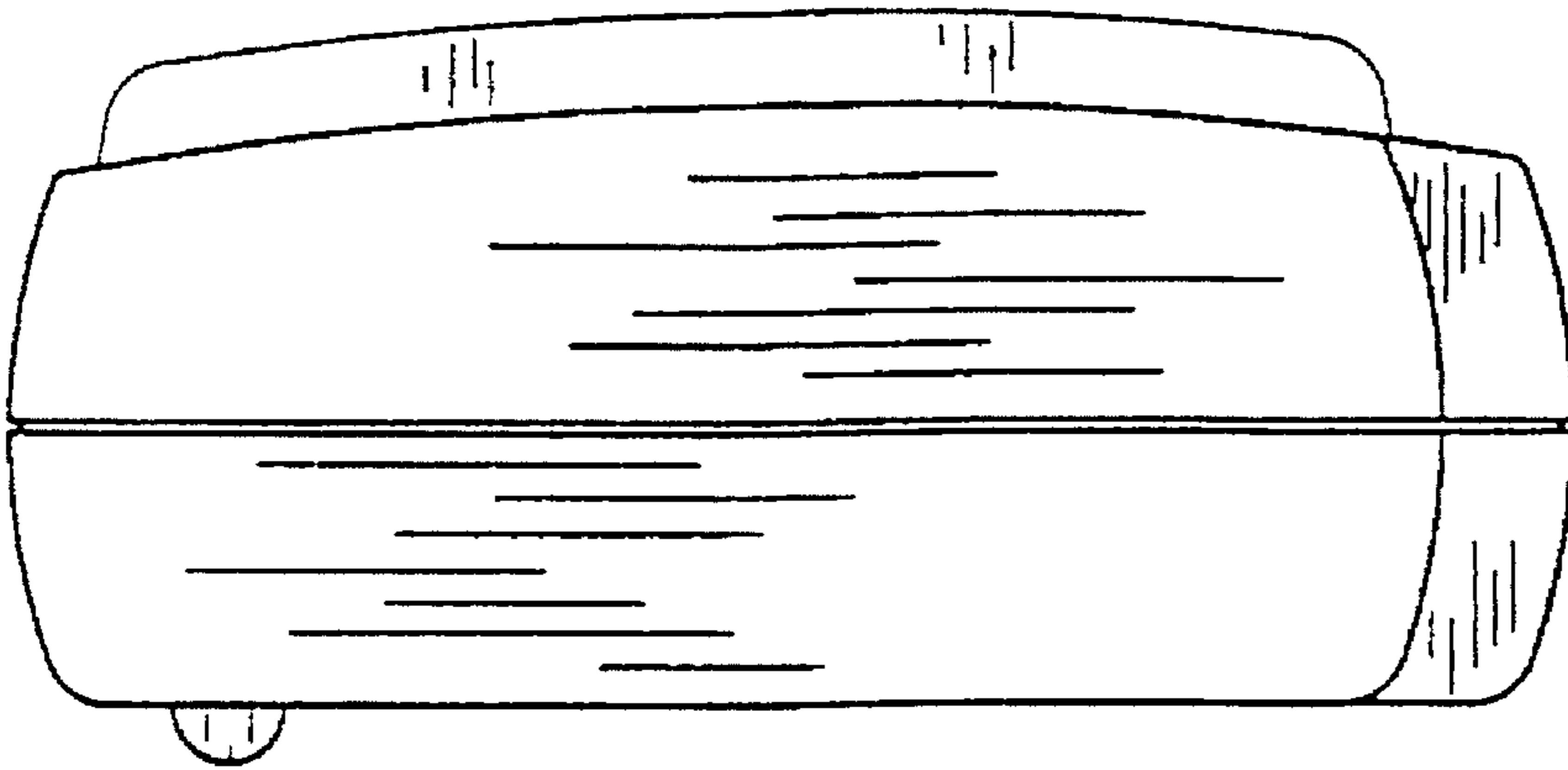


FIG. 9

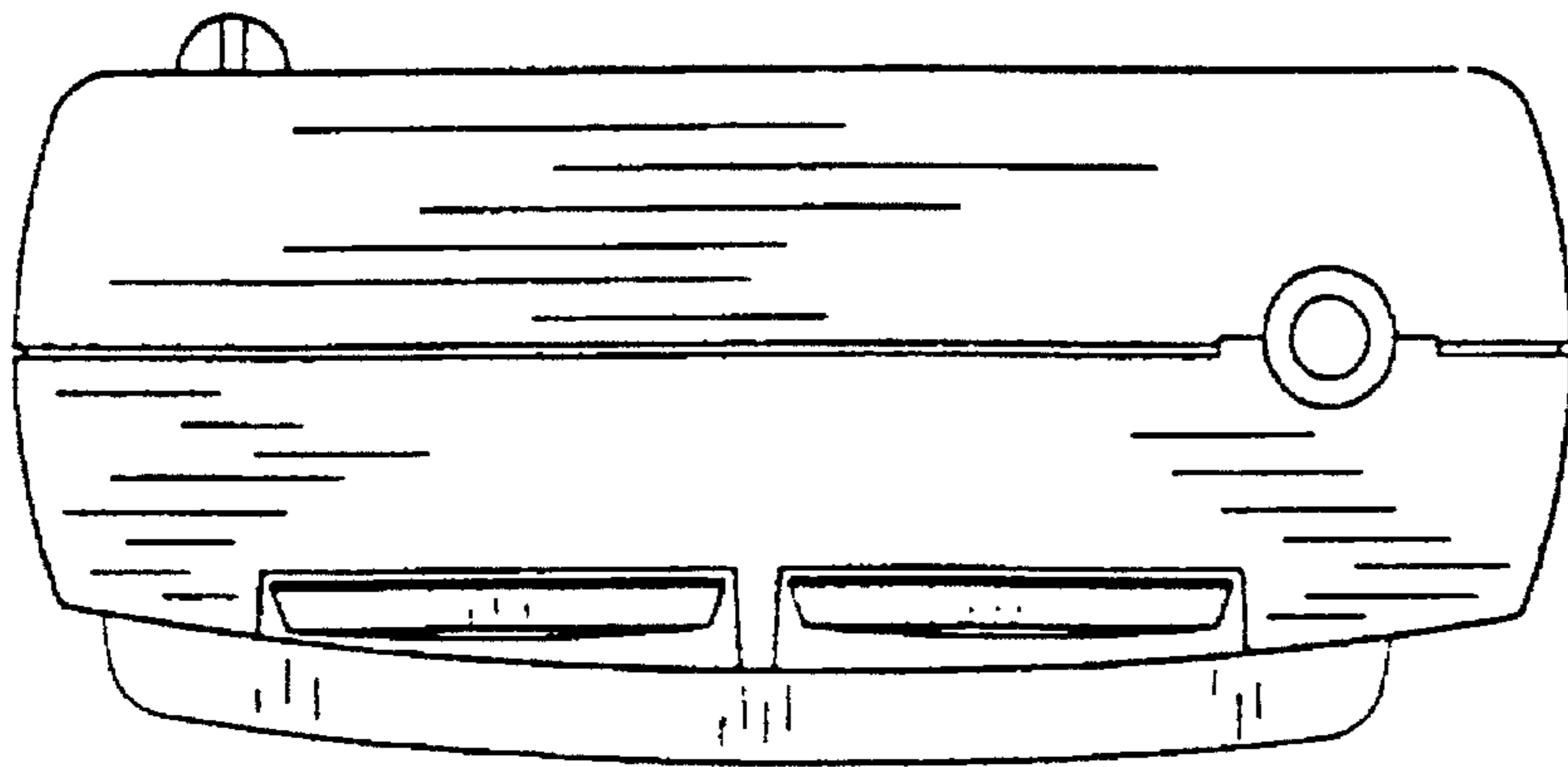


FIG. 10

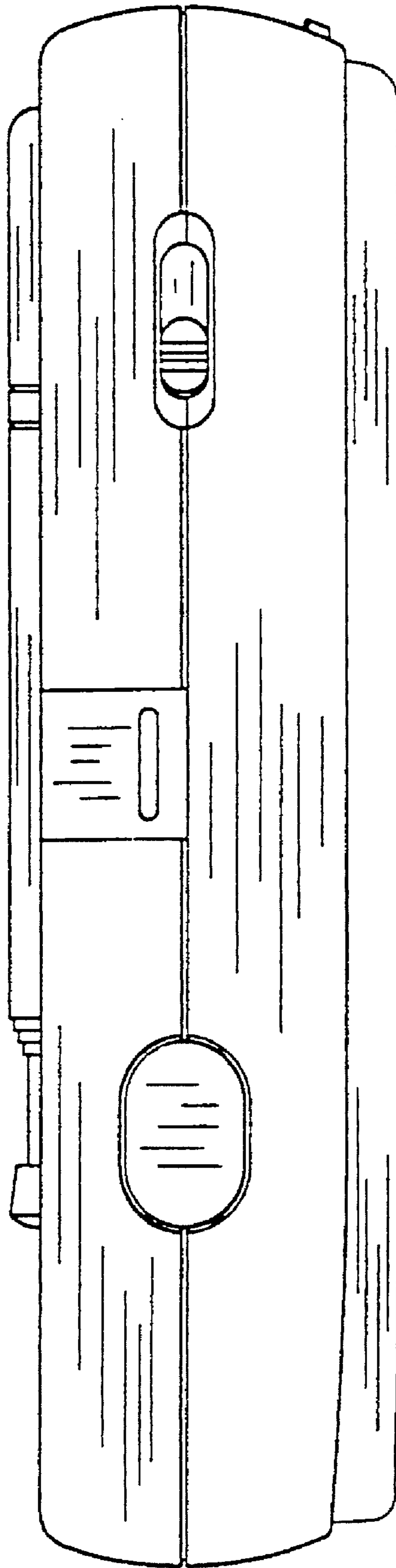


FIG. 11

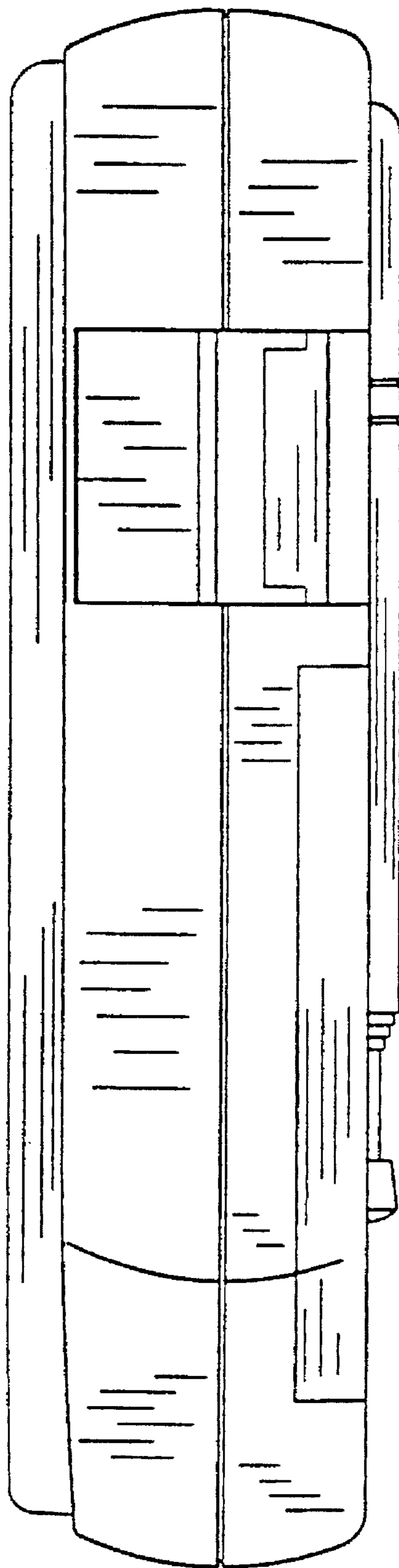


FIG. 12