



US00D373355S

United States Patent [19]

Huang et al.

[11] Patent Number: **Des. 373,355**

[45] Date of Patent: ****Sep. 3, 1996**

[54] VIDEO TELEPHONE

[75] Inventors: **Shu-Chen Huang**, Taoyuan; **Yu-Lin Chao**; **Jeng-Yeong Tyan**, both of Hsinchu, all of Taiwan

[73] Assignee: **Industrial Technology Research Institute**, Taiwan

[**] Term: **14 Years**

[21] Appl. No.: **31,918**

[22] Filed: **Dec. 2, 1994**

[52] U.S. Cl. **D14/130; D14/107; D16/202**

[58] Field of Search D14/107, 114, D14/240, 101, 130, 140, 155, 159, 241, 204, 172, 100; 348/14, 15-20; 379/53, 96; 395/200; D16/202; H04N 5/225, 7/14

[56] **References Cited**

U.S. PATENT DOCUMENTS

- D. 277,961 3/1985 Shimizu D16/202
- D. 311,015 10/1990 Alie et al. D16/202
- D. 339,598 9/1993 Shimizu D16/202 X

- D. 349,284 8/1994 Robertus D14/159
- D. 359,042 6/1995 Tamura D14/130
- D. 359,499 6/1995 Gower et al. D16/202
- 5,220,848 6/1993 Basilico 74/471 X
- 5,318,257 6/1994 Tani 348/14 X

Primary Examiner—Jeffrey Asch
Attorney, Agent, or Firm—Michael D. Bednarek; Kilpatrick & Cody

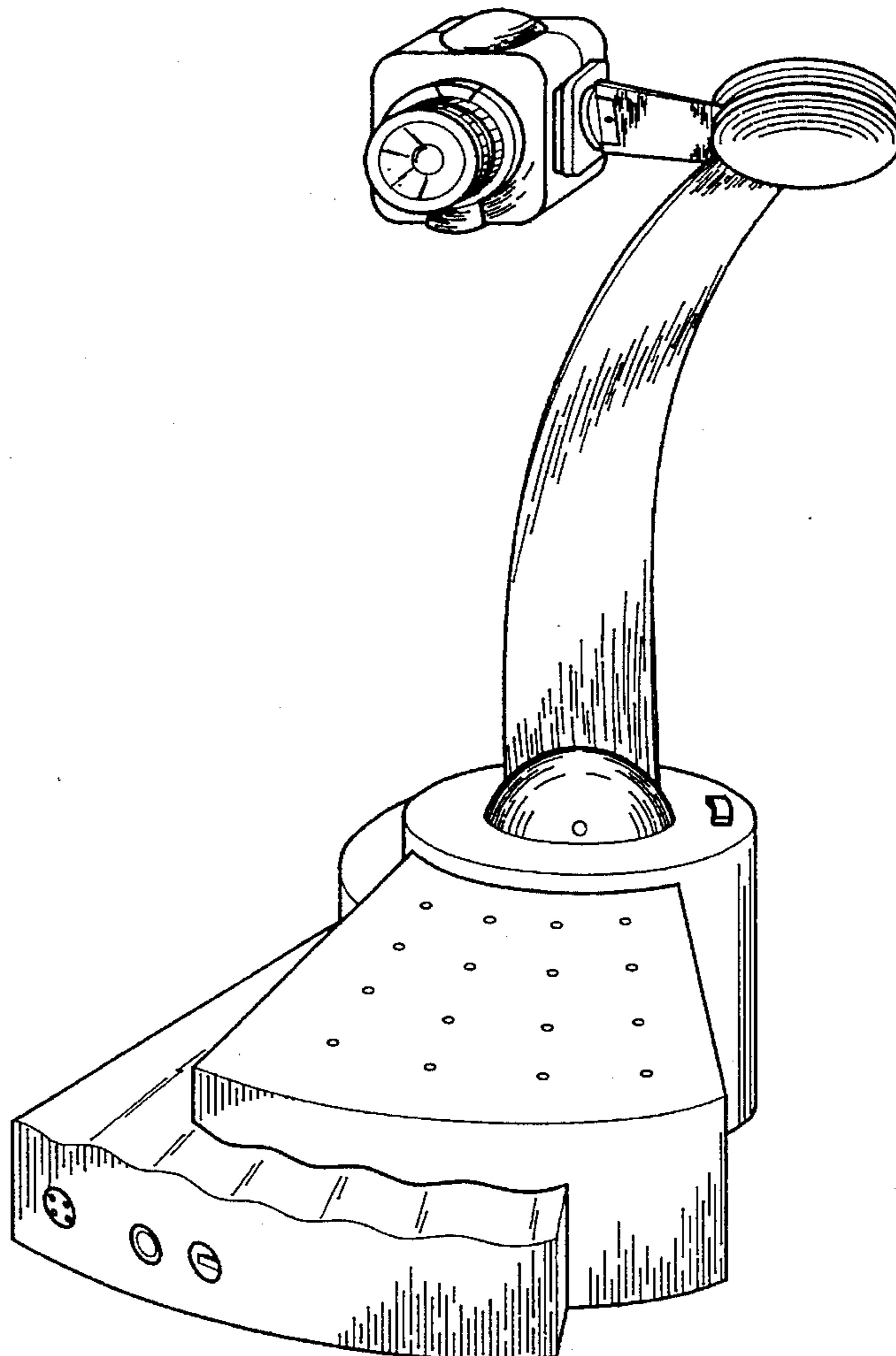
[57] **CLAIM**

The ornamental design for a video telephone, as shown and described.

DESCRIPTION

FIG. 1 is a perspective view of a video telephone showing our new design;
FIG. 2 is a right side elevational view thereof;
FIG. 3 is a left side elevational view thereof;
FIG. 4 is a rear elevational view thereof;
FIG. 5 is a front elevational view thereof;
FIG. 6 is a top plan view thereof; and,
FIG. 7 is a bottom plan view thereof.

1 Claim, 7 Drawing Sheets



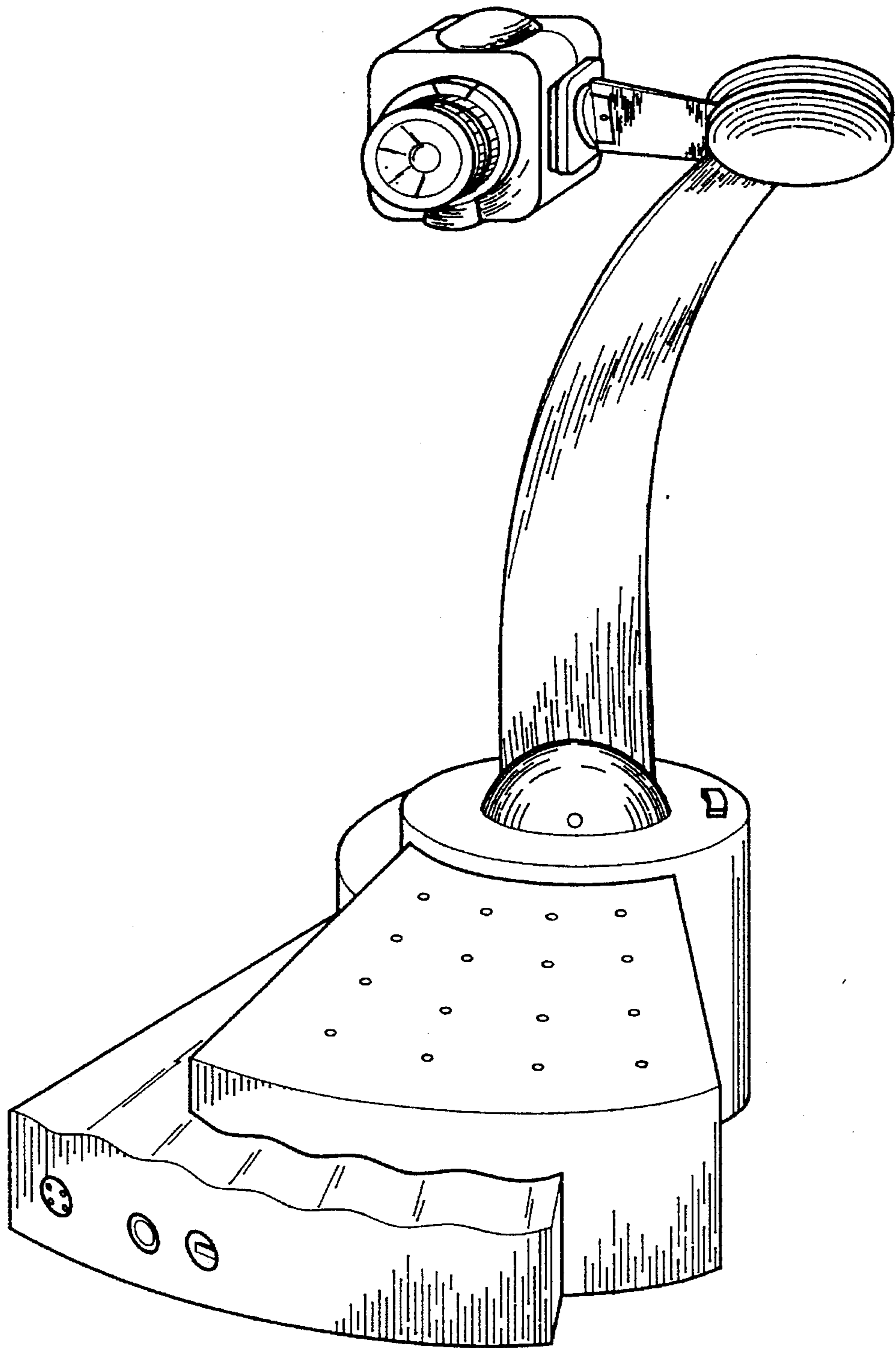


FIG. 1

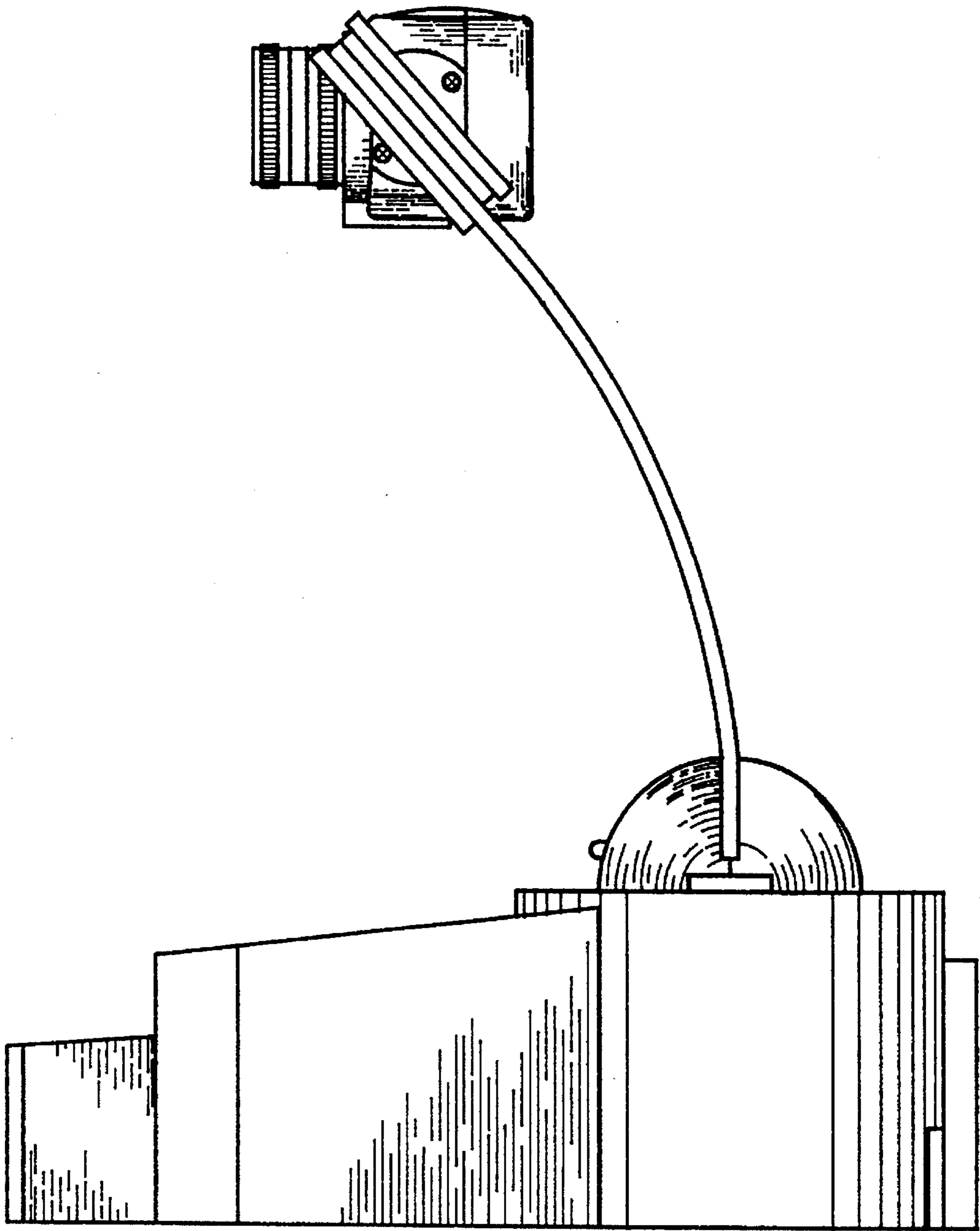


FIG. 2

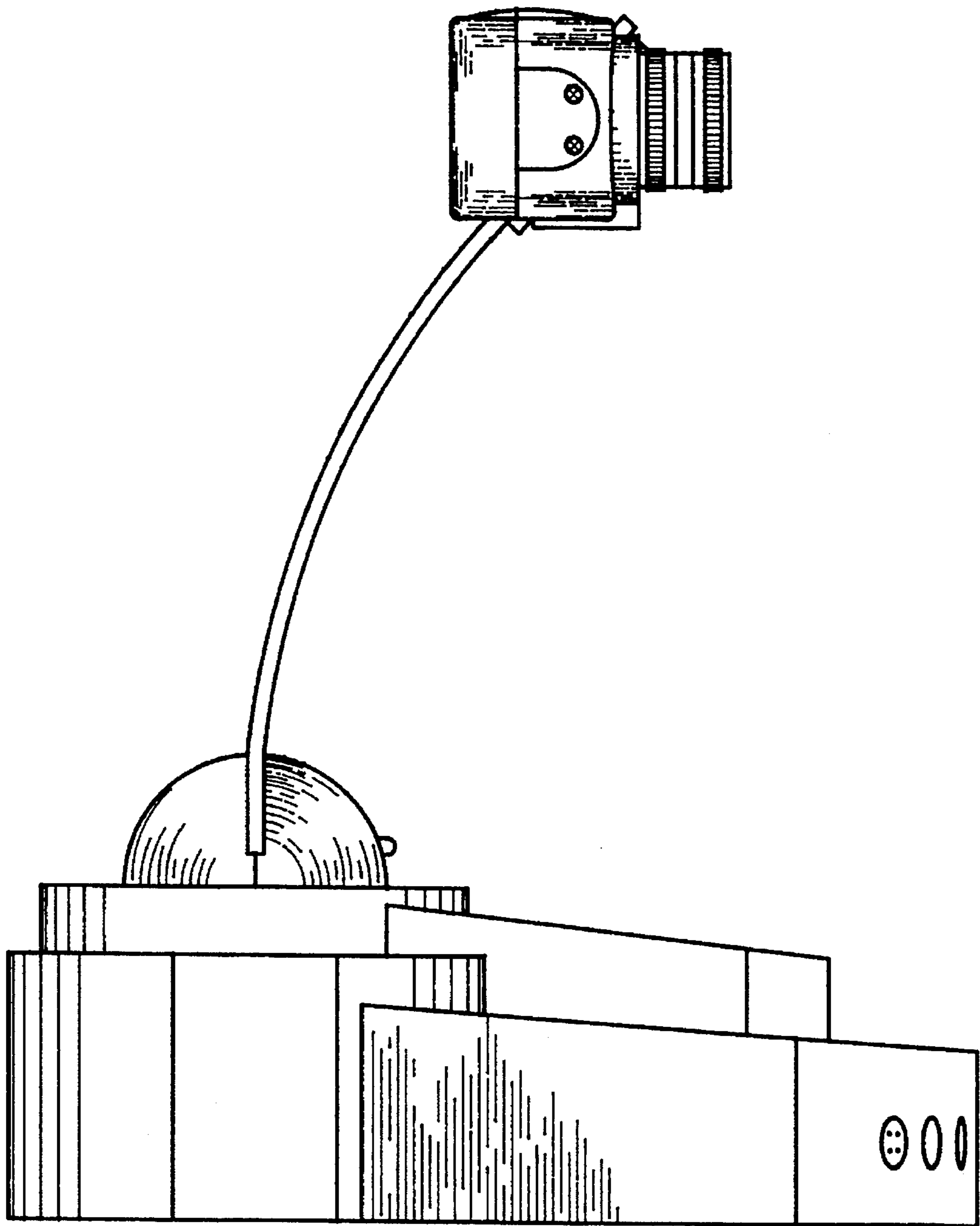


FIG. 3

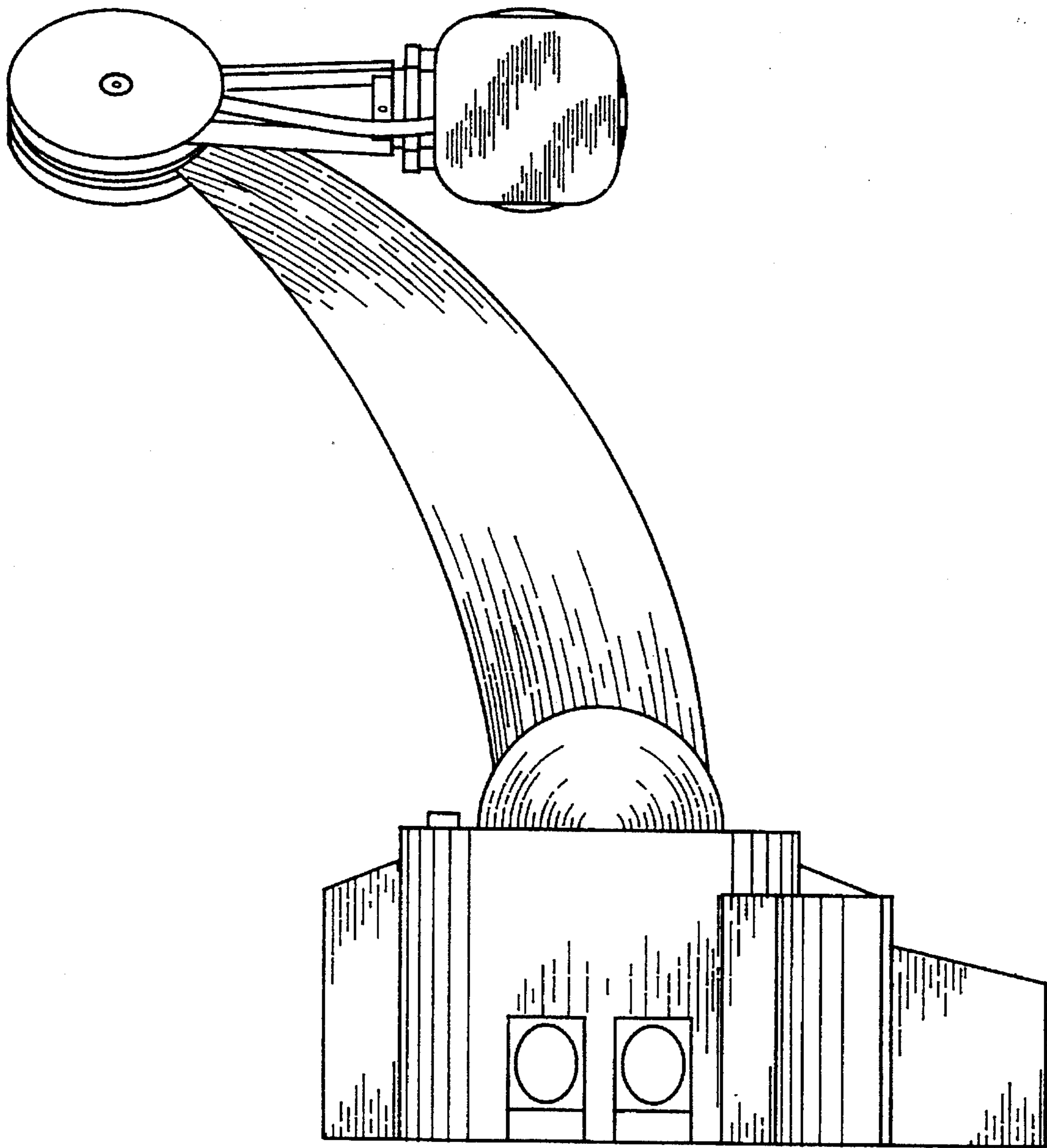


FIG. 4

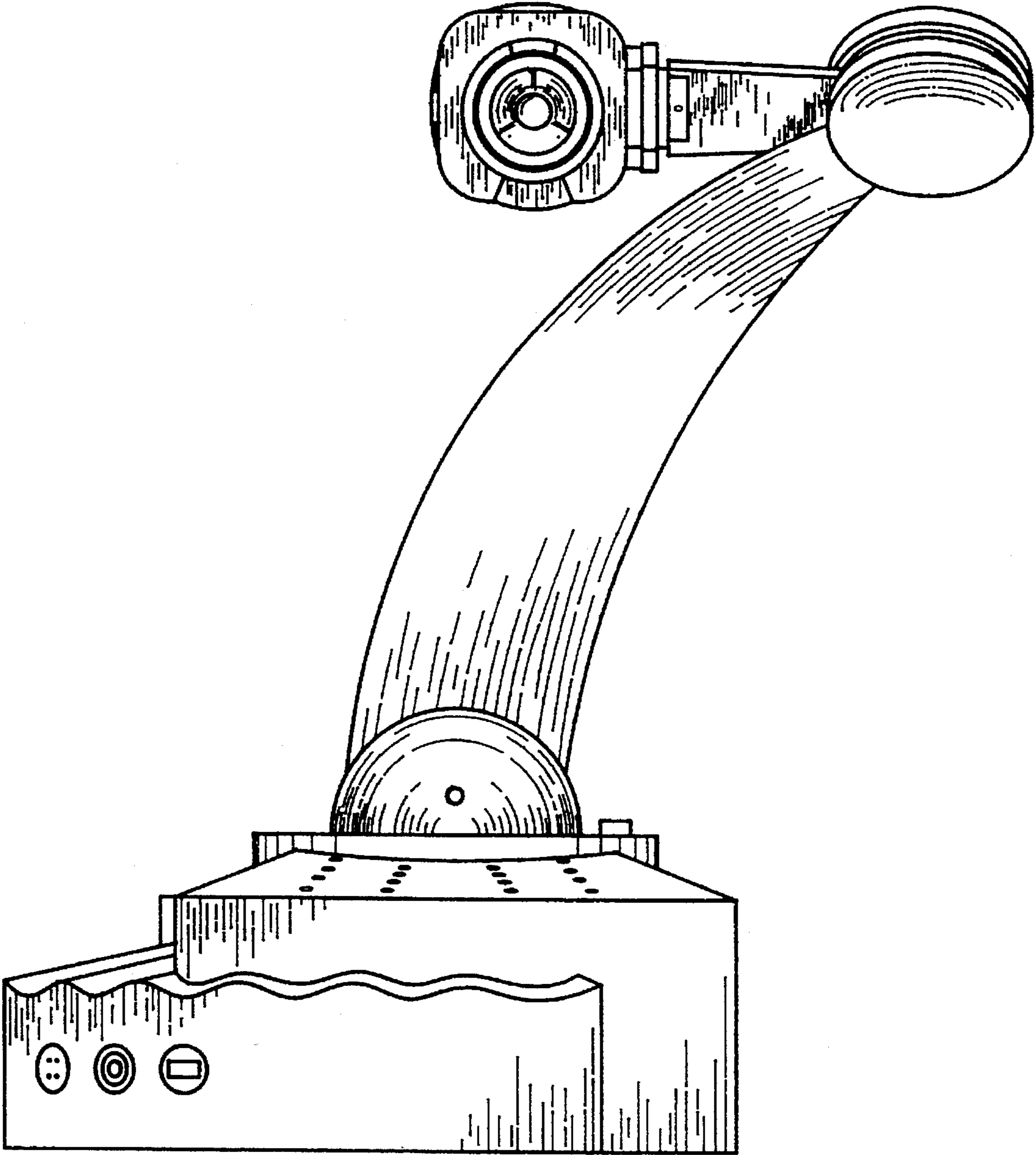


FIG. 5

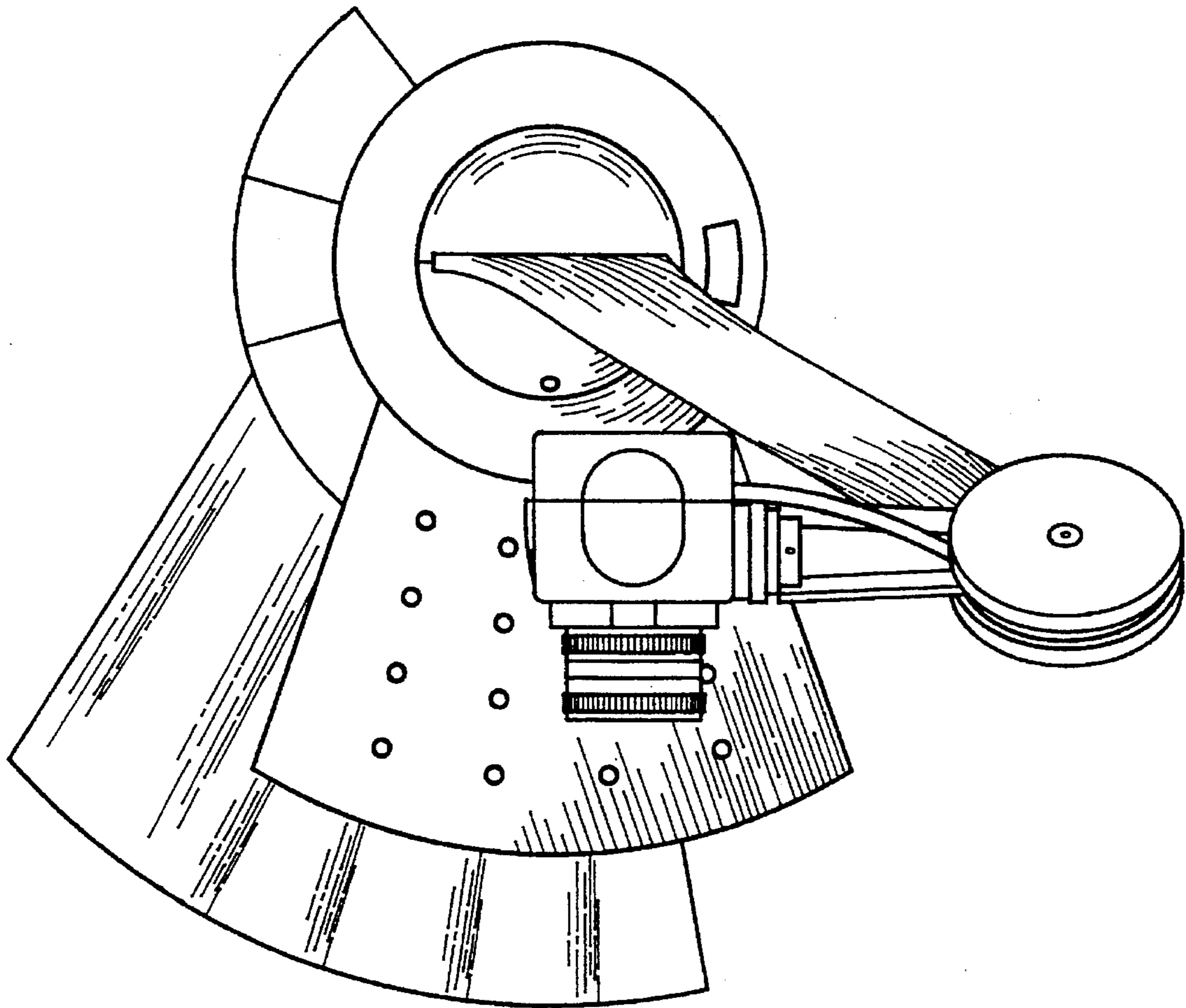


FIG. 6

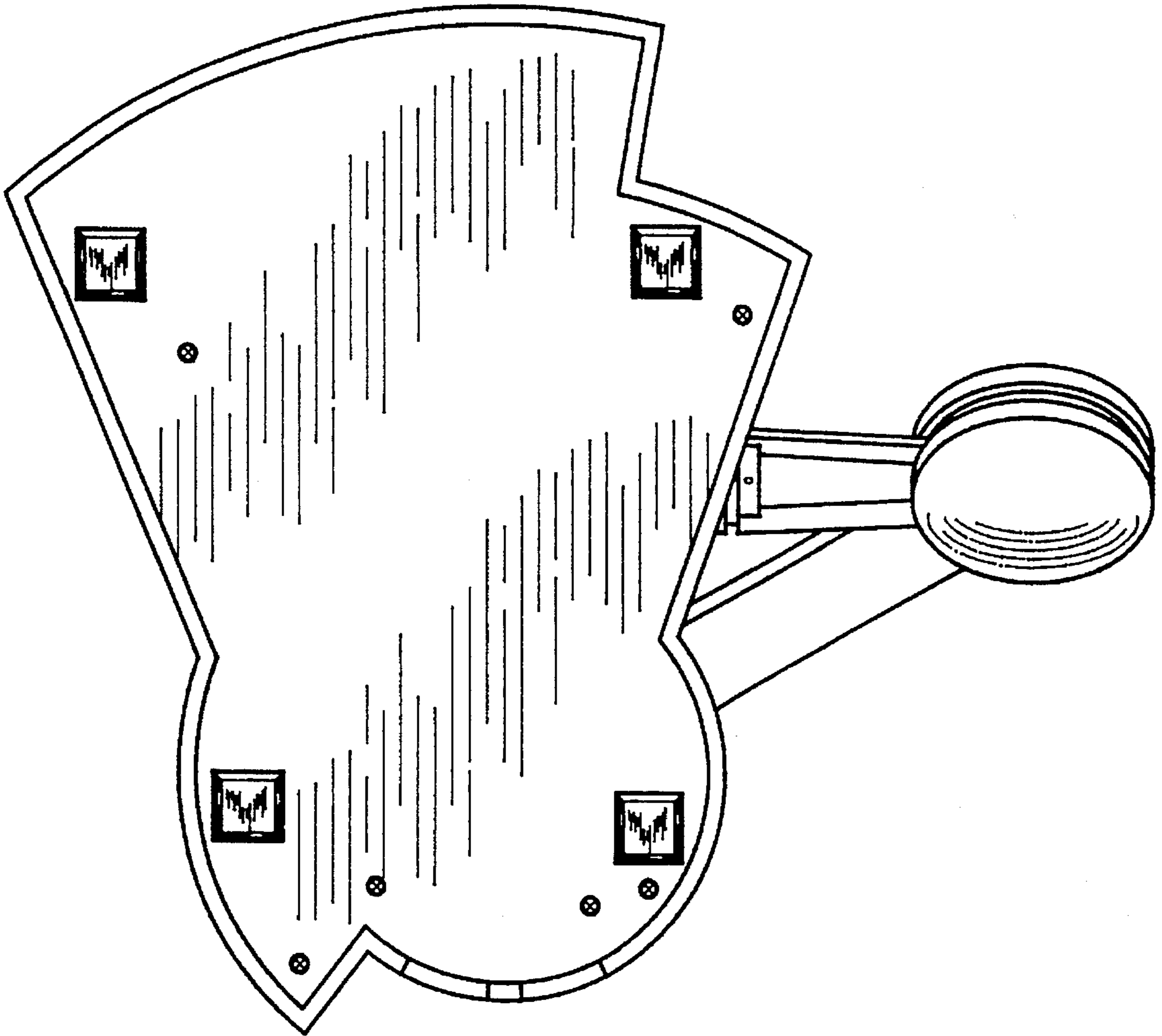


FIG. 7