



US00D373352S

United States Patent [19] Park

[11] Patent Number: **Des. 373,352**

[45] Date of Patent: ****Sep. 3, 1996**

[54] TELEVISION SET

D. 350,742 9/1994 Morita et al. D14/126

[75] Inventor: **Sung-Kil Park**, Kyunggi-Do, Rep. of Korea

Primary Examiner—Ted Shooman
Assistant Examiner—Richelle Shelton
Attorney, Agent, or Firm—Anderson Kill Olick & Oshinsky, P.C.

[73] Assignee: **Daewoo Electronics Co., Ltd.**, Seoul, Rep. of Korea

[**] Term: **14 Years**

[57] **CLAIM**

[21] Appl. No.: **34,169**

The ornamental design for a television set, as shown and described.

[22] Filed: **Jan. 30, 1995**

DESCRIPTION

[30] **Foreign Application Priority Data**

FIG. 1 is a perspective view of a television set showing my new design;

Jul. 30, 1994 [KR] Rep. of Korea 94-16735

FIG. 2 is a front elevational view thereof;

[52] U.S. Cl. **D14/126**

FIG. 3 is a rear elevational view thereof;

[58] Field of Search D14/113, 124-134;
312/7.2; 348/825, 836, 838, 790-794

FIG. 4 is a left side elevational view thereof;

FIG. 5 is a right side elevational view thereof;

[56] **References Cited**

FIG. 6 is a top plan view thereof; and,

FIG. 7 is a bottom plan view thereof.

U.S. PATENT DOCUMENTS

D. 339,334 9/1993 Koo D14/126

1 Claim, 4 Drawing Sheets

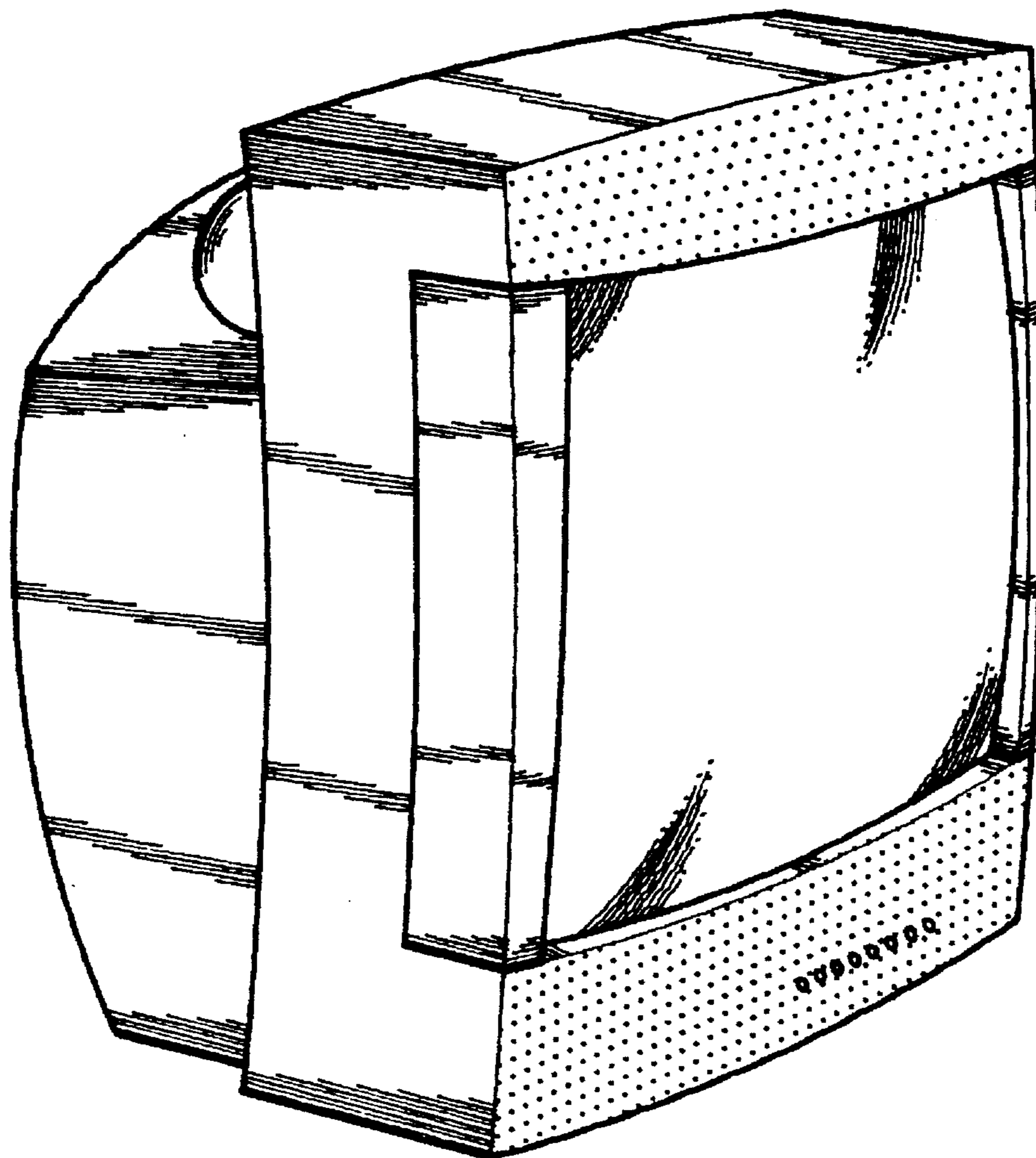


FIG. 1

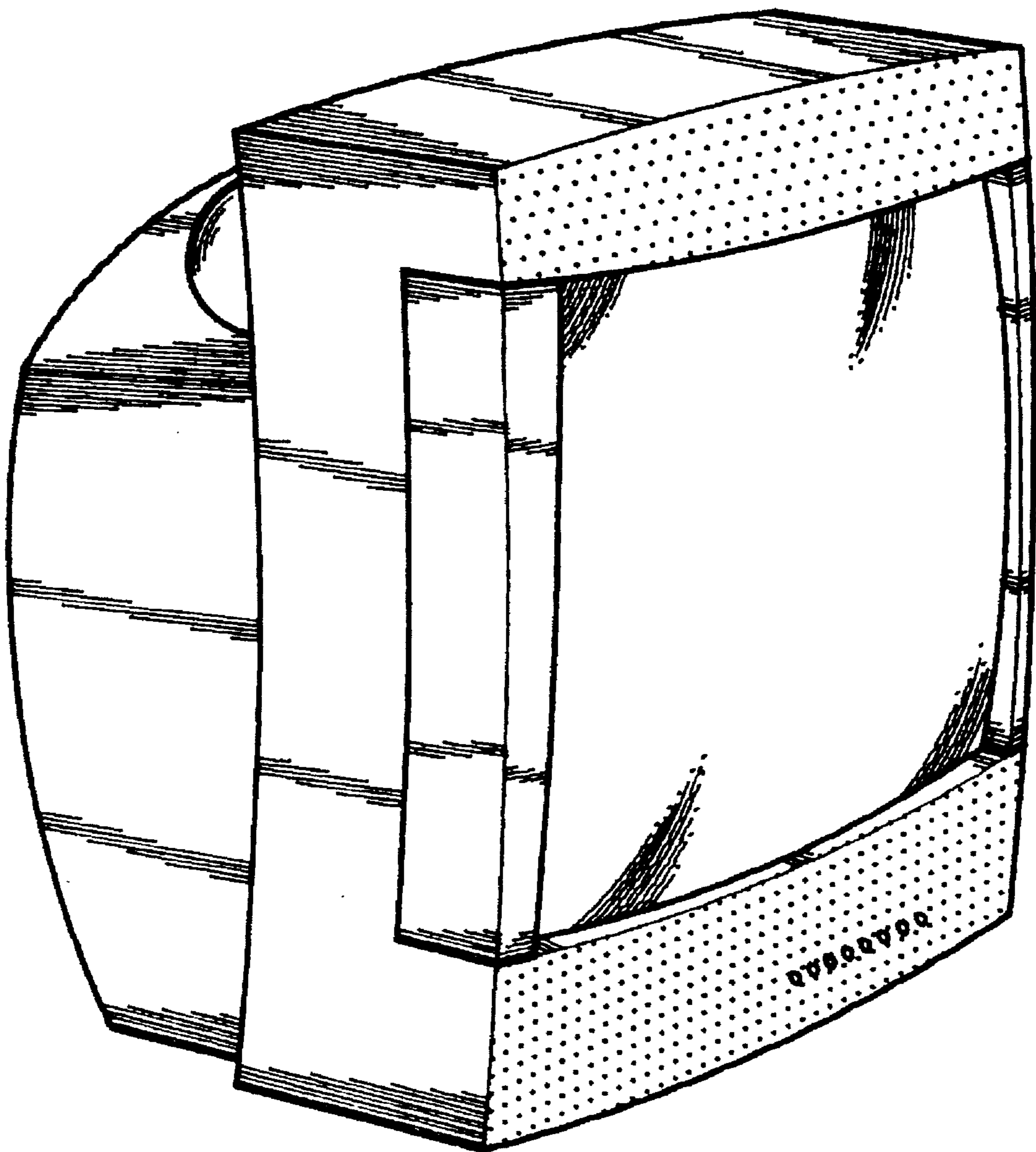


FIG. 2

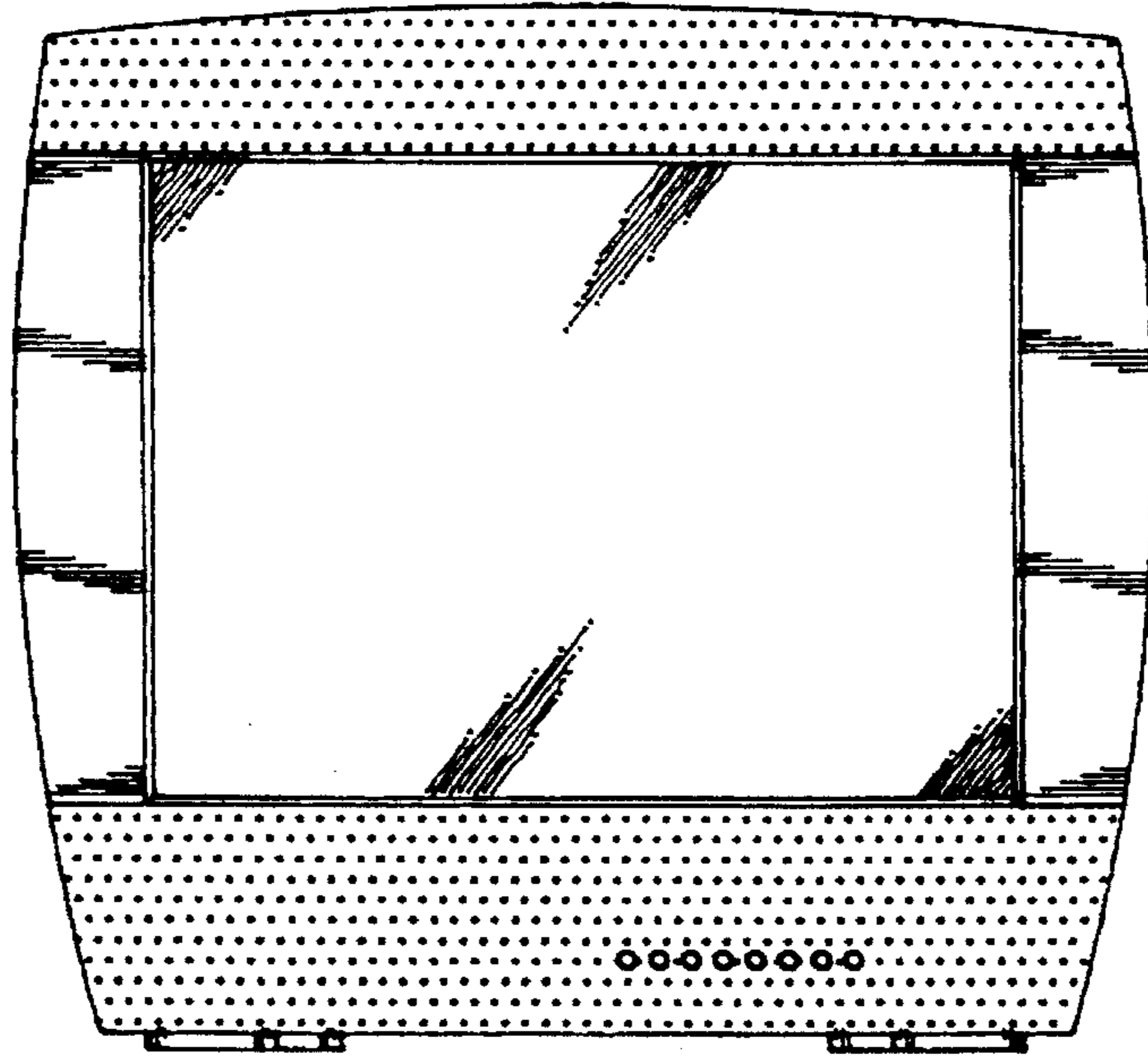


FIG. 3

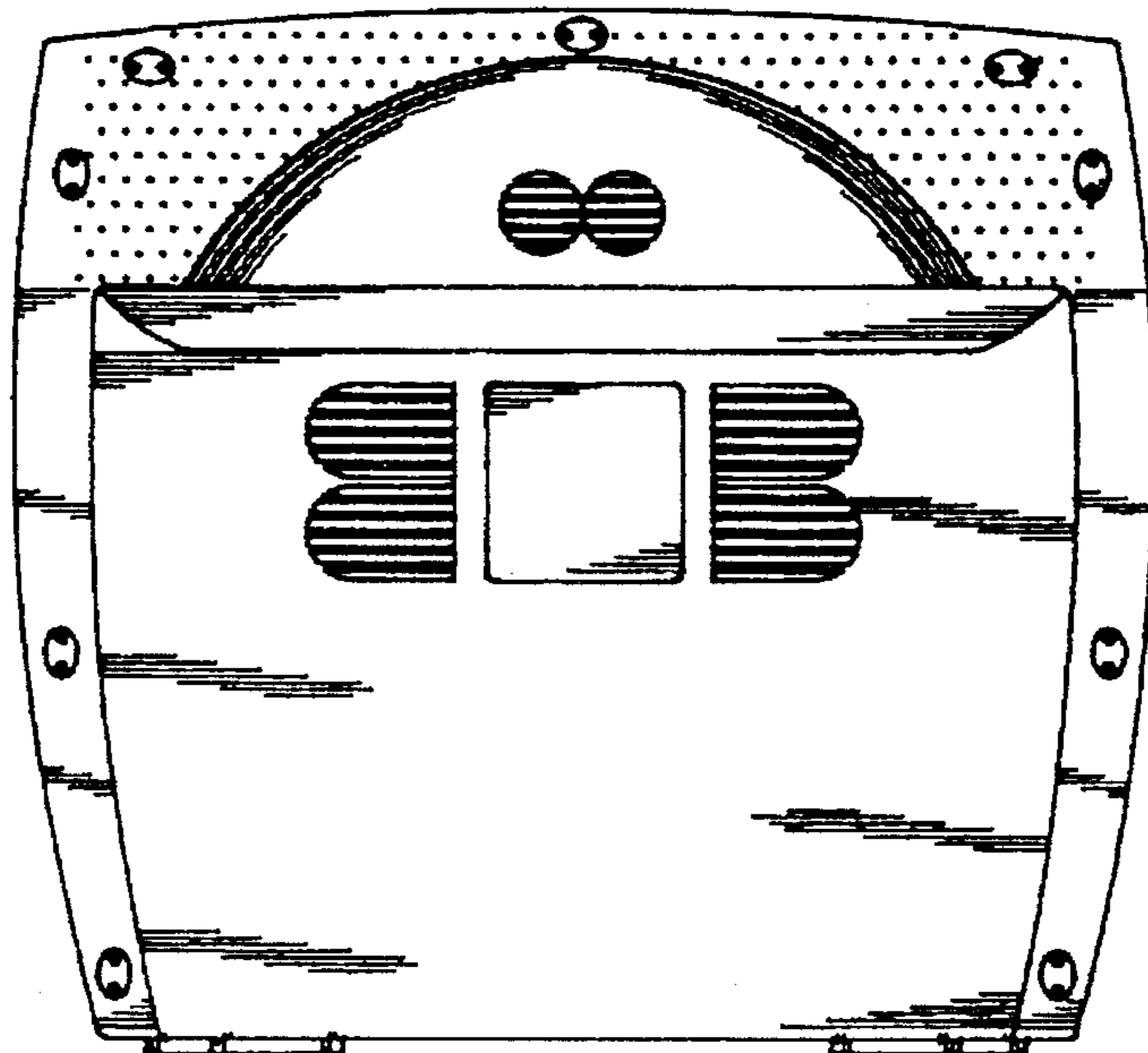


FIG. 4

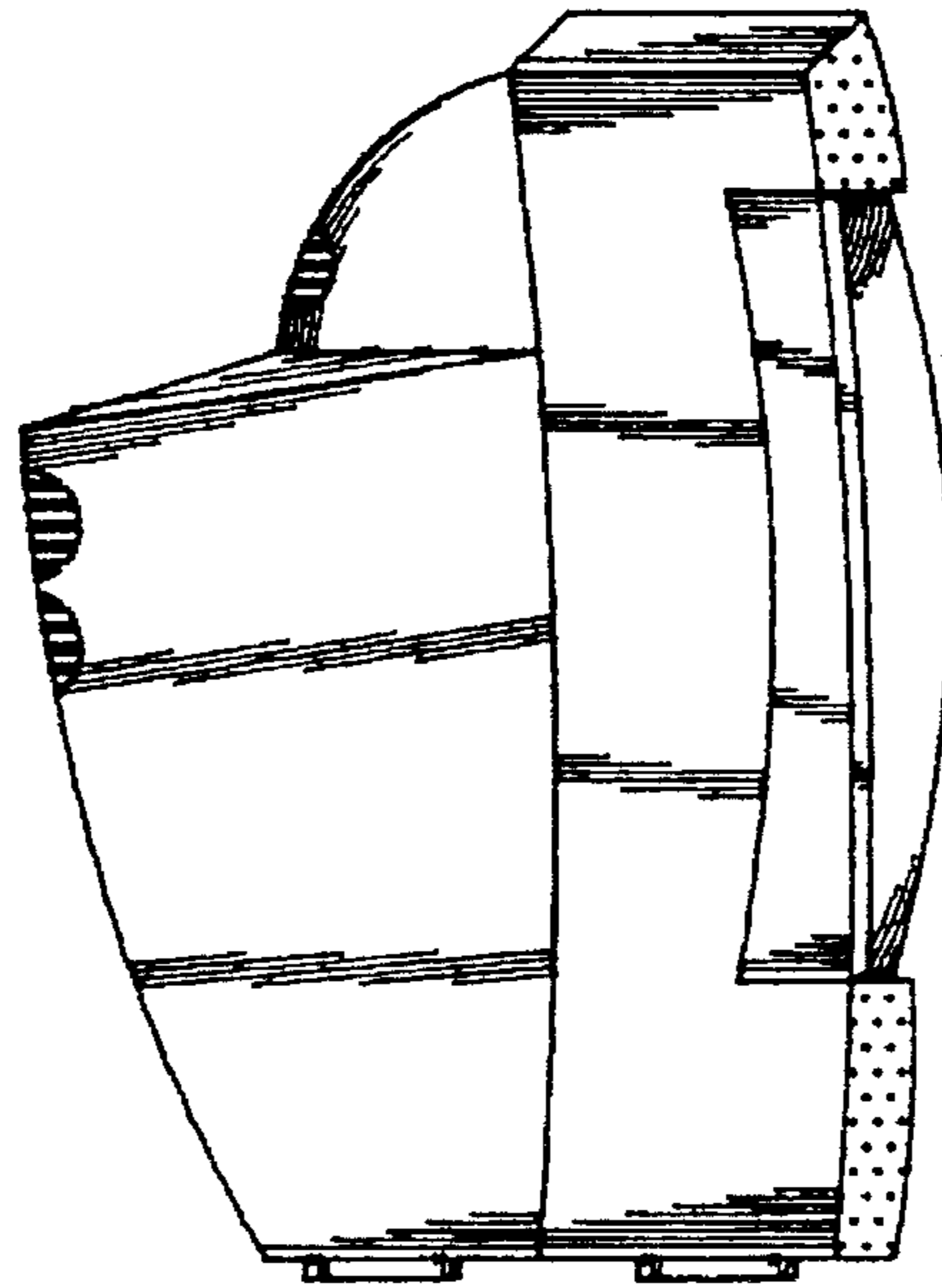


FIG. 5

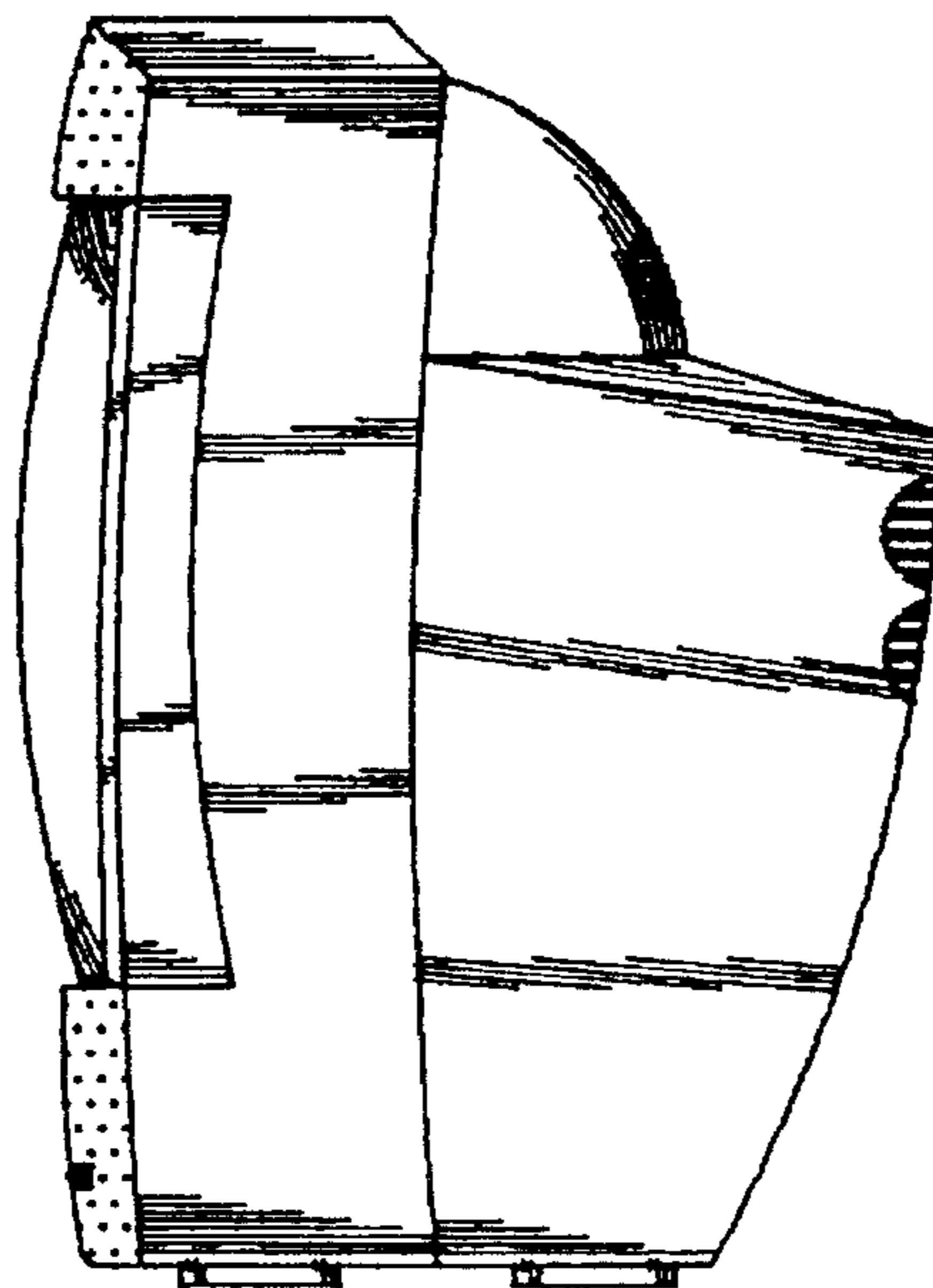


FIG. 6

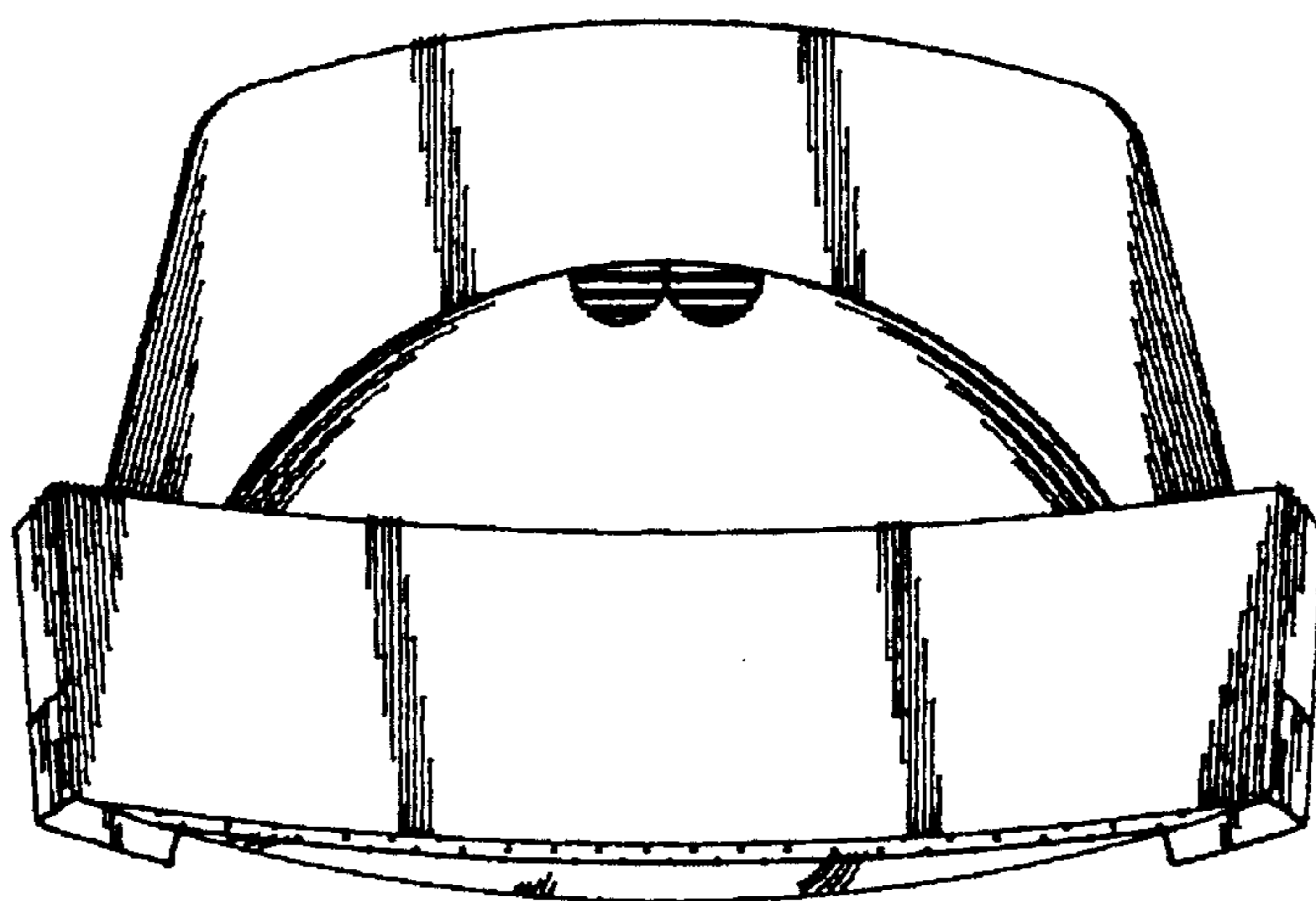


FIG. 7

