



US00D373347S

# United States Patent [19]

[11] Patent Number: **Des. 373,347**

Ashley et al.

[45] Date of Patent: **\*\*Sep. 3, 1996**

[54] **PORTABLE ELECTRONIC COMMUNICATION DEVICE**

D. 328,455 8/1992 Izaki ..... D14/106  
D. 361,754 8/1995 Jambhekar et al. .... D14/100  
5,255,214 10/1993 Ma ..... D14/106 X

[75] Inventors: **Philip M. Ashley**, Ilkley; **Edmund D. Gill**, Leeds, both of United Kingdom

**OTHER PUBLICATIONS**

Brochure—from Bellsouth, 1993, Reorder #300, entitled "Simon, Mobile Communications Made Simple".

[73] Assignee: **Phillip Martin Ashley**, Ilkley, United Kingdom

*Primary Examiner*—Freda Nunn

[\*\*] Term: **14 Years**

*Attorney, Agent, or Firm*—Fulwider Patton Lee & Utecht

[21] Appl. No.: **38,648**

[57] **CLAIM**

[22] Filed: **May 10, 1995**

The ornamental design for a portable electronic communication device, as shown and described.

[30] **Foreign Application Priority Data**

**DESCRIPTION**

Nov. 18, 1994 [GB] United Kingdom ..... 2043370

[52] **U.S. Cl.** ..... **D14/106; D14/100; D18/7**

[58] **Field of Search** ..... D14/100, 101, D14/106, 115, 113, 124-129, 105; D18/7; 345/104, 156, 168, 173, 901-905, 87; 361/679-686; 364/708.1, 709.04, 709.12

FIG. 1 is a front and left side perspective view of a portable electronic communication device embodying our new design in the opened condition;

FIG. 2 is a top rear and right side perspective view thereof;

FIG. 3 is a bottom rear and right side perspective view thereof;

FIG. 4 is a top front and left side perspective view thereof in the closed condition; and,

FIG. 5 is a bottom rear and right side perspective view thereof.

[56] **References Cited**

**U.S. PATENT DOCUMENTS**

D. 310,352 9/1990 Kato et al. .... D14/105  
D. 319,435 8/1991 Brown ..... D14/113

**1 Claim, 3 Drawing Sheets**

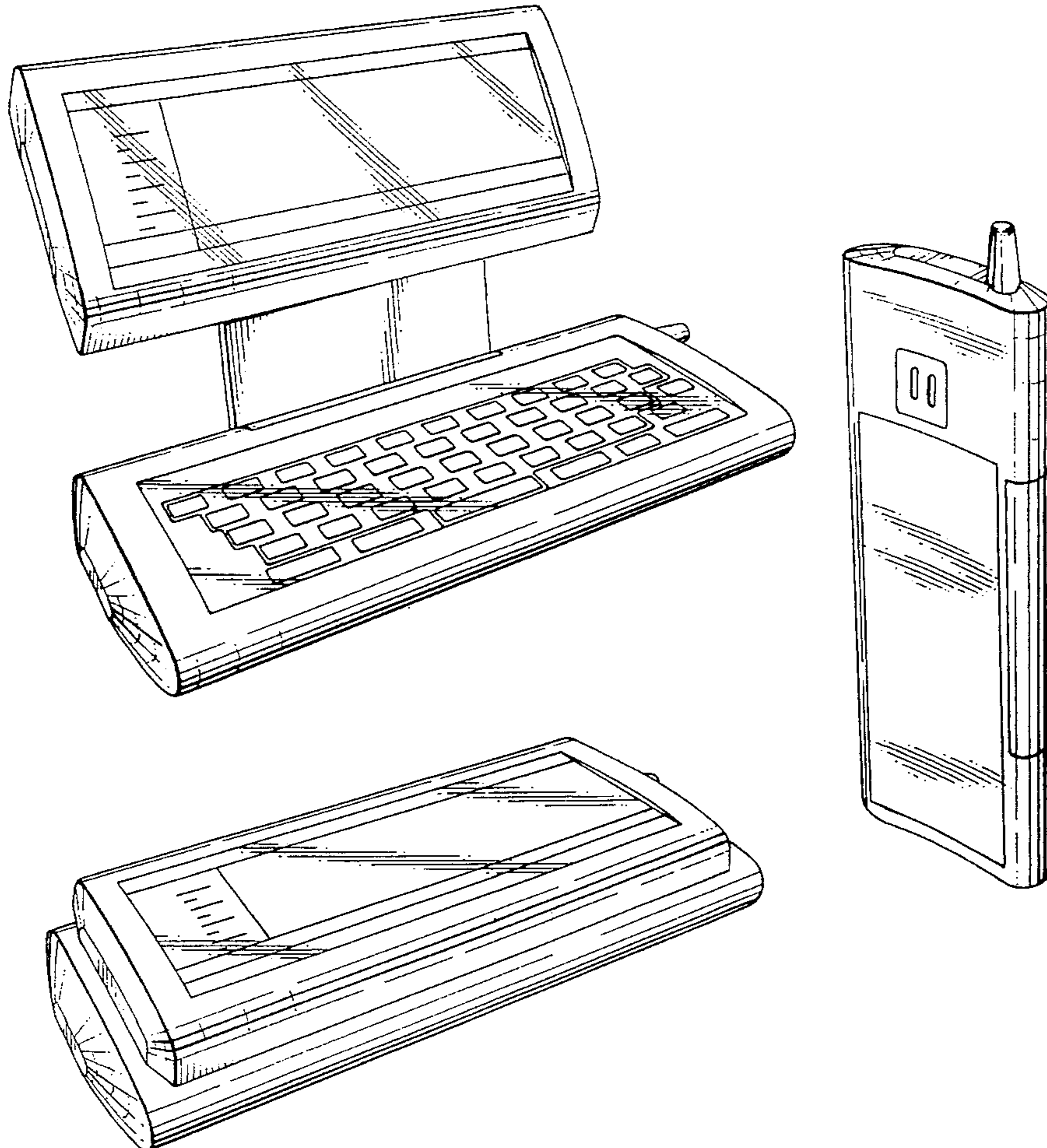


Fig. 1.

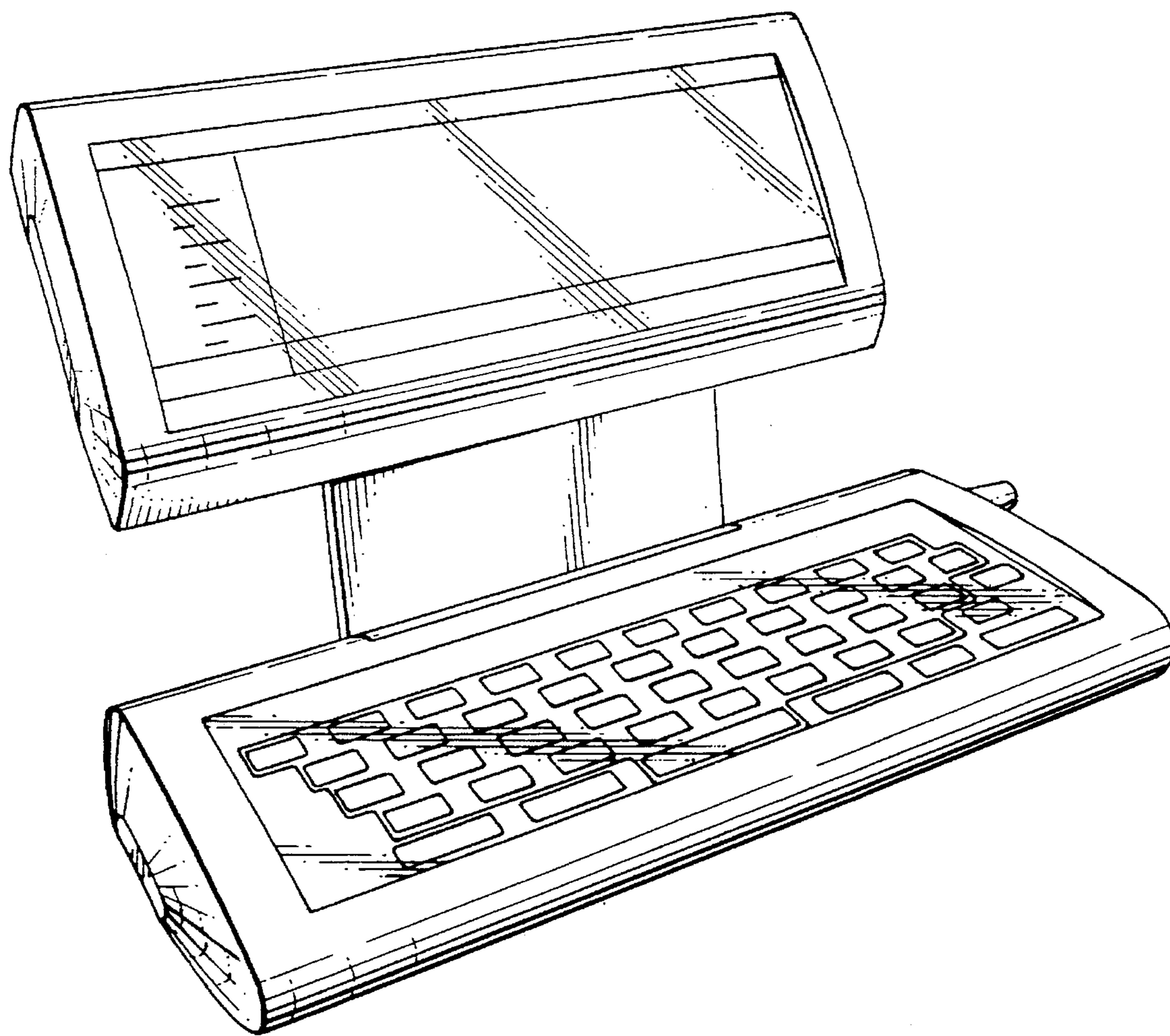


Fig.2.

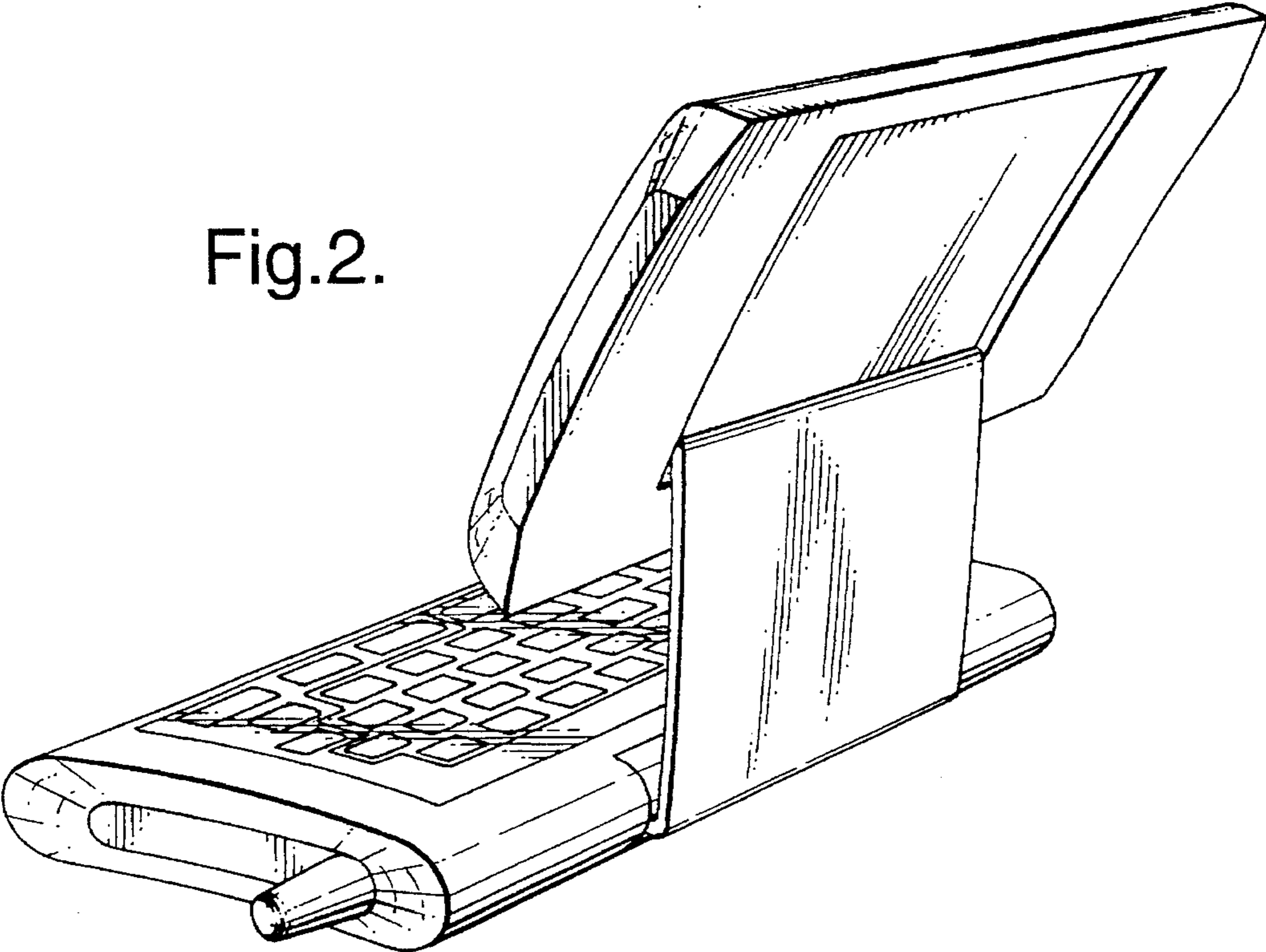


Fig.3.

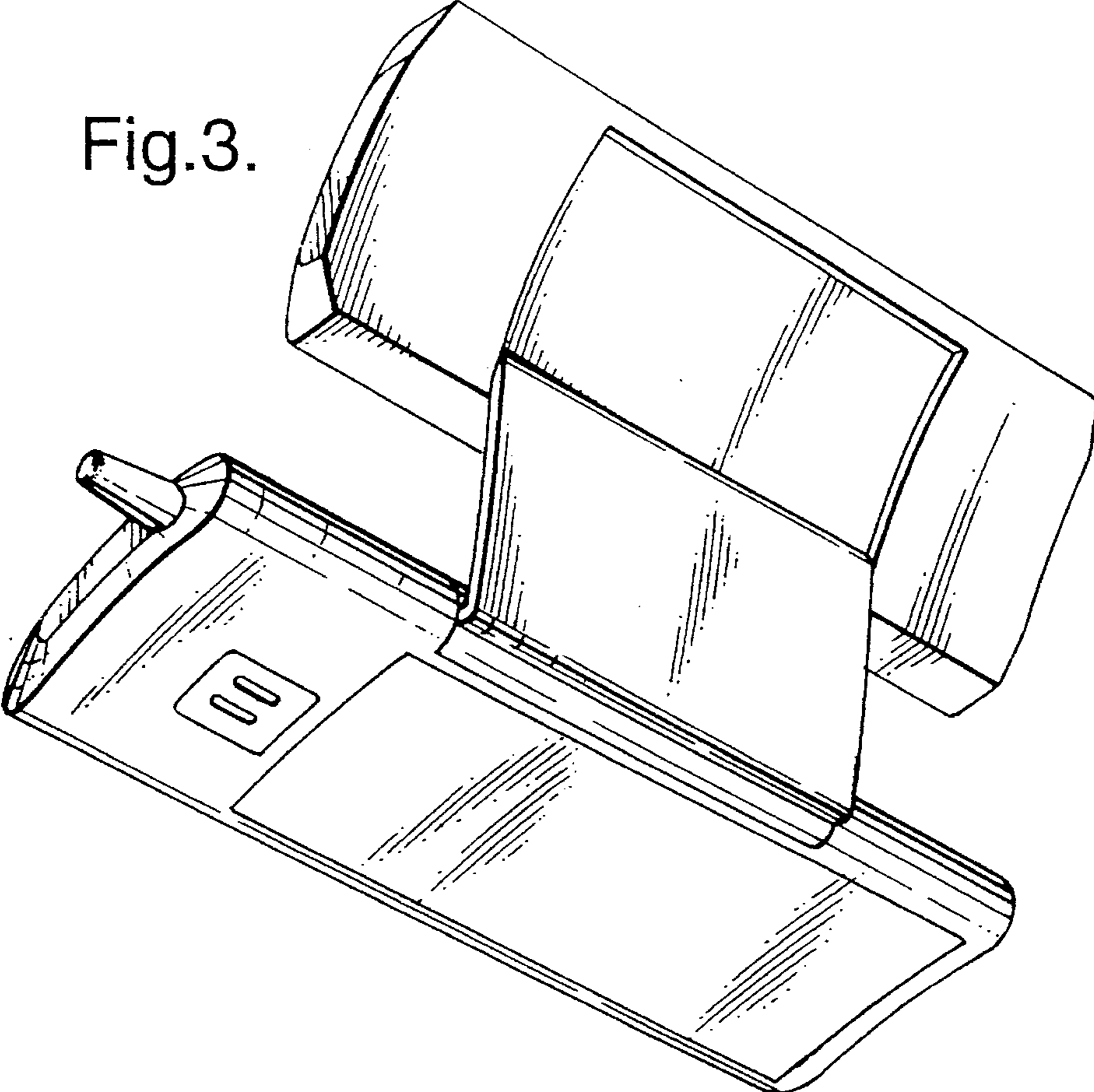


Fig.4.

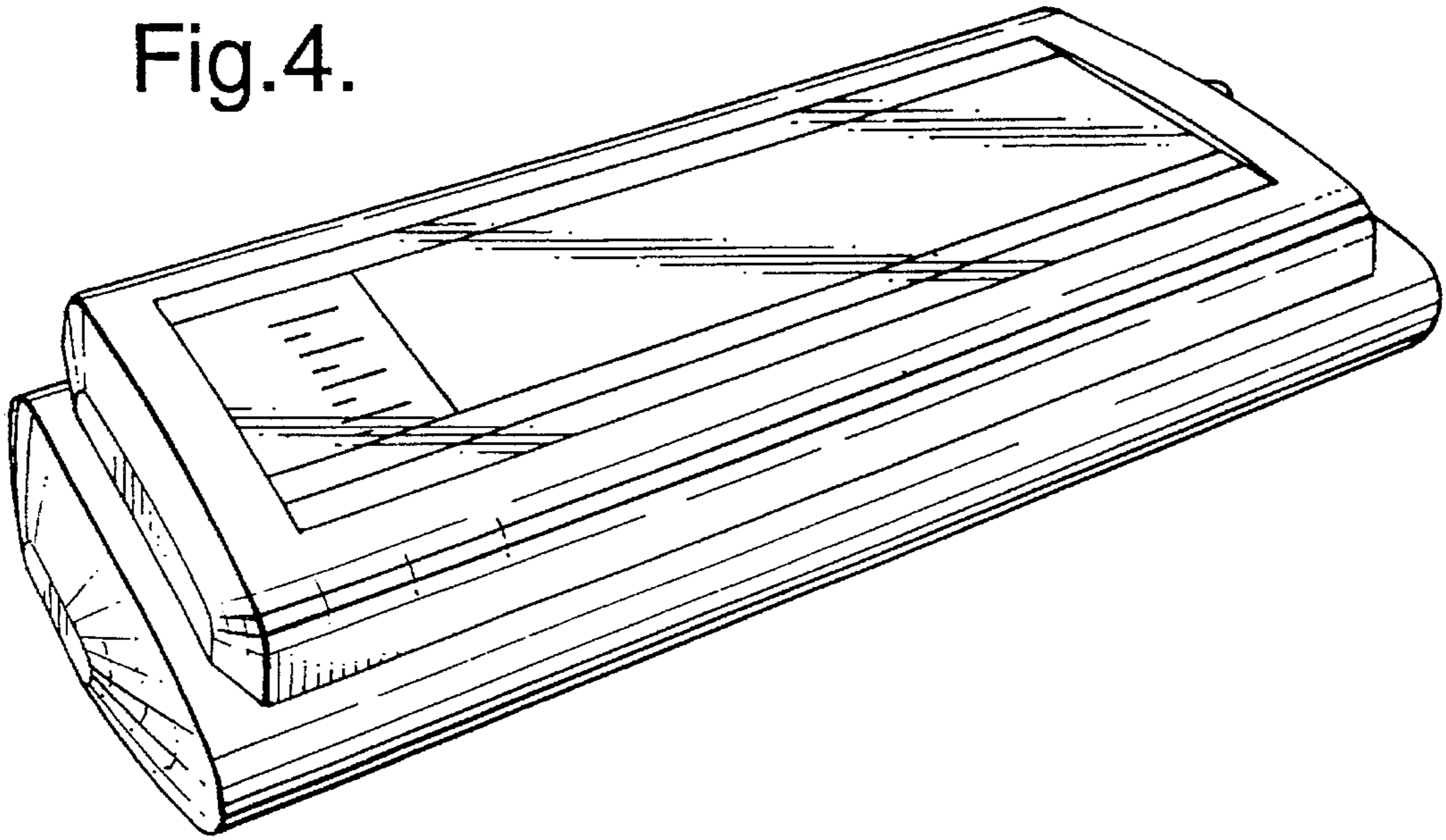


Fig.5.

