



US00D373346S

**United States Patent** [19]  
**Hwang**

[11] **Patent Number: Des. 373,346**  
[45] **Date of Patent: \*\*Sep. 3, 1996**

[54] **MACHINE FOR DATA COMMUNICATION  
HAVING A CARD DETECTOR**

[75] Inventor: **Jung-Hwan Hwang**, Anyang, Rep. of Korea

[73] Assignee: **First Technology Co., Ltd.**, Seoul, Rep. of Korea

[\*\*] Term: **14 Years**

[21] Appl. No.: **40,570**

[22] Filed: **Jun. 22, 1995**

[30] **Foreign Application Priority Data**

Feb. 21, 1995 [KR] Rep. of Korea ..... 95-2923

[52] **U.S. Cl.** ..... **D14/101; D14/105; D14/144; D14/146; D14/151**

[58] **Field of Search** ..... 379/91, 419, 420, 379/428, 440, 434-436, 441, 442, 454, 455; D14/100, 101, 105, 146, 140, 142, 149-151, 240, 241

[56] **References Cited**

**U.S. PATENT DOCUMENTS**

- D. 266,512 10/1982 Fubershaw ..... D14/101
- D. 293,320 12/1987 Ng ..... D14/151
- D. 293,790 1/1988 Hilmer ..... D14/101
- D. 298,944 12/1988 Stark et al. .... D14/105

- D. 300,139 3/1989 Nishio ..... D14/151 X
- D. 316,552 4/1991 Miozzo ..... D14/248 X
- D. 330,015 10/1992 Yoshihara ..... D14/101
- D. 340,919 11/1993 Lee ..... D14/105
- D. 359,490 6/1995 Arakaki et al. .... D14/146
- 4,587,379 5/1986 Masuda ..... 379/91

**OTHER PUBLICATIONS**

Popular Mechanics, Aug. 1992, p. 49, Scanphone.

*Primary Examiner*—Jeffrey Asch  
*Attorney, Agent, or Firm*—Dilworth & Barrese

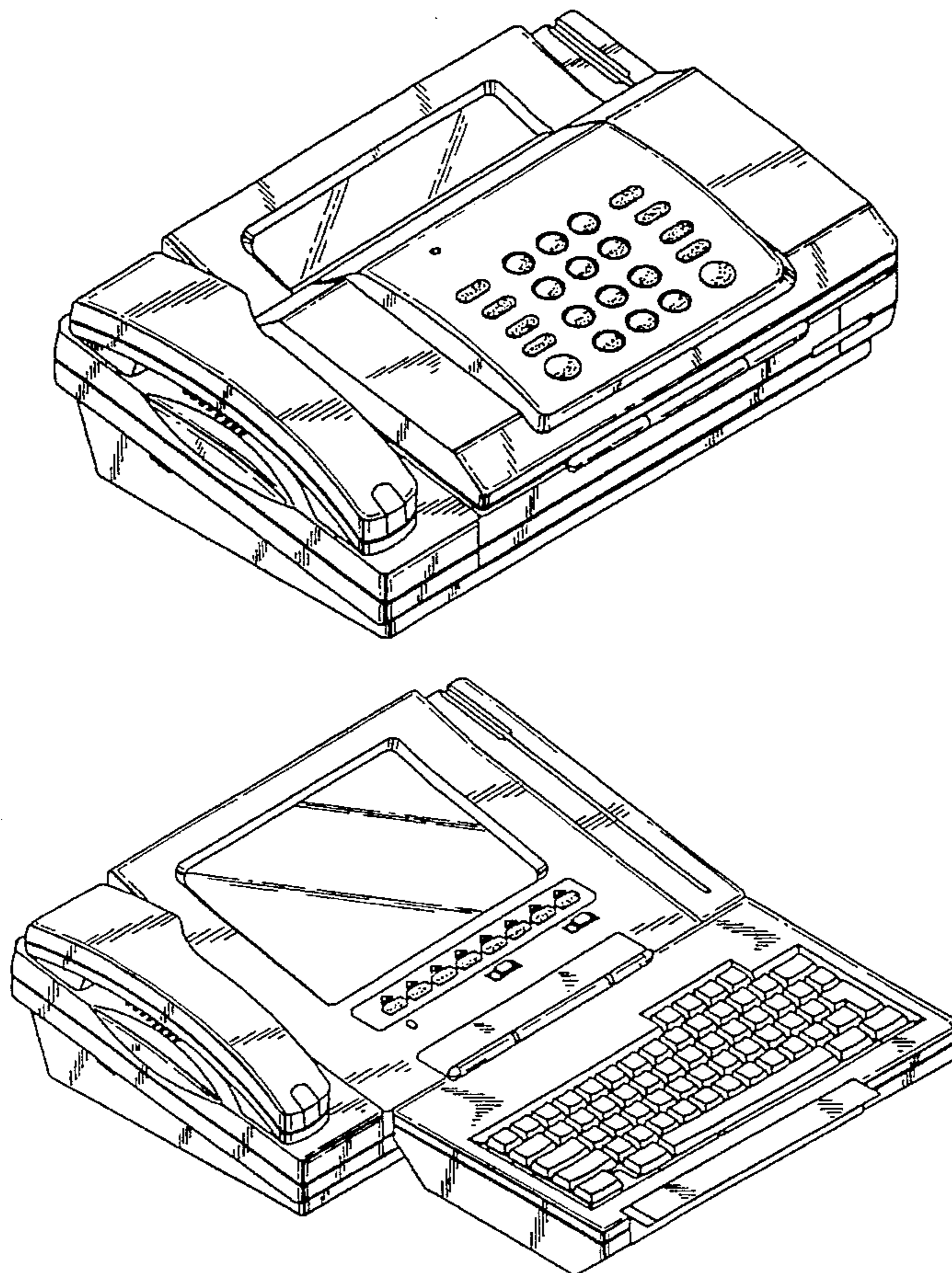
[57] **CLAIM**

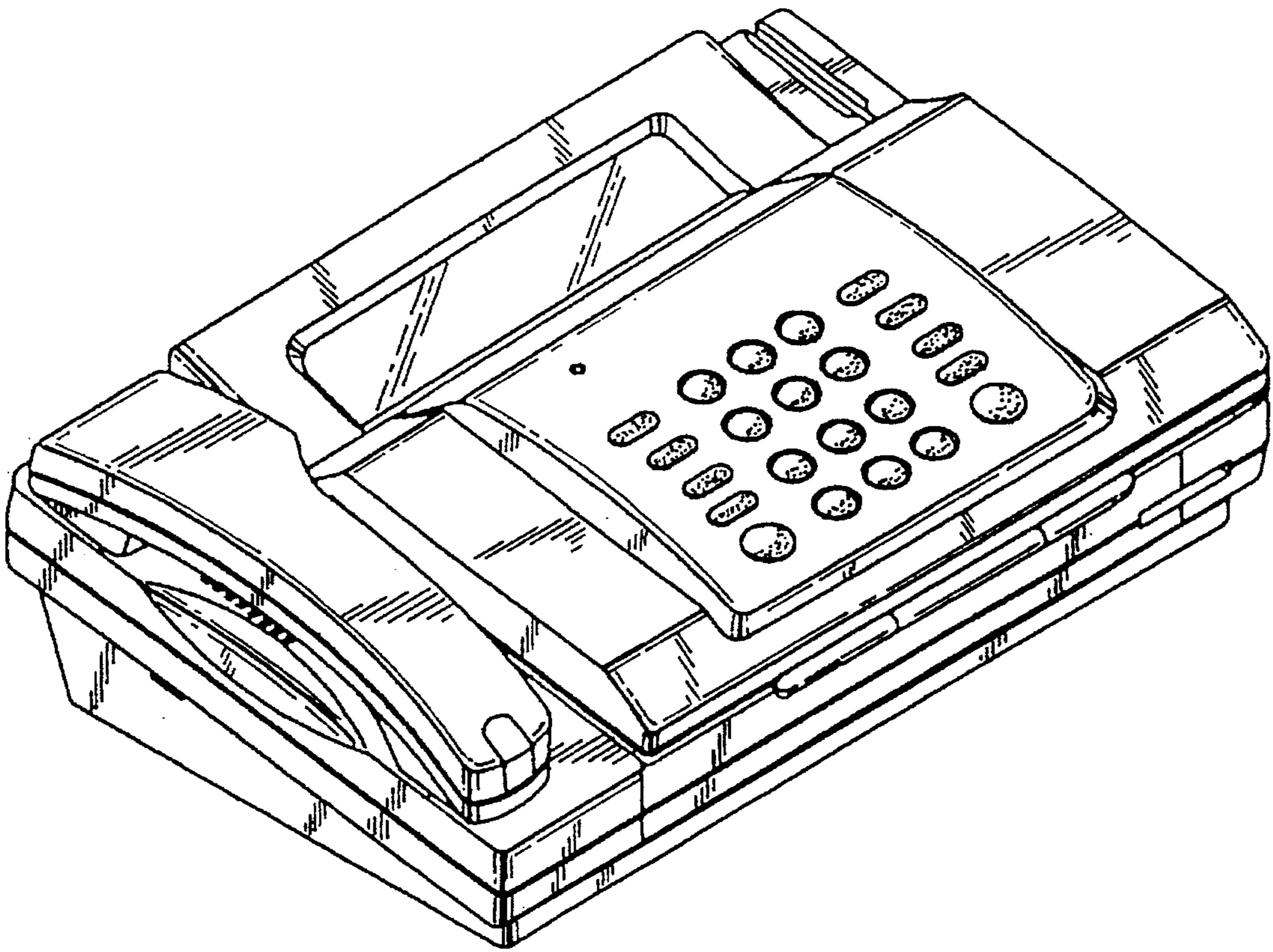
The ornamental design for a machine for data communication having a card detector, as shown and described.

**DESCRIPTION**

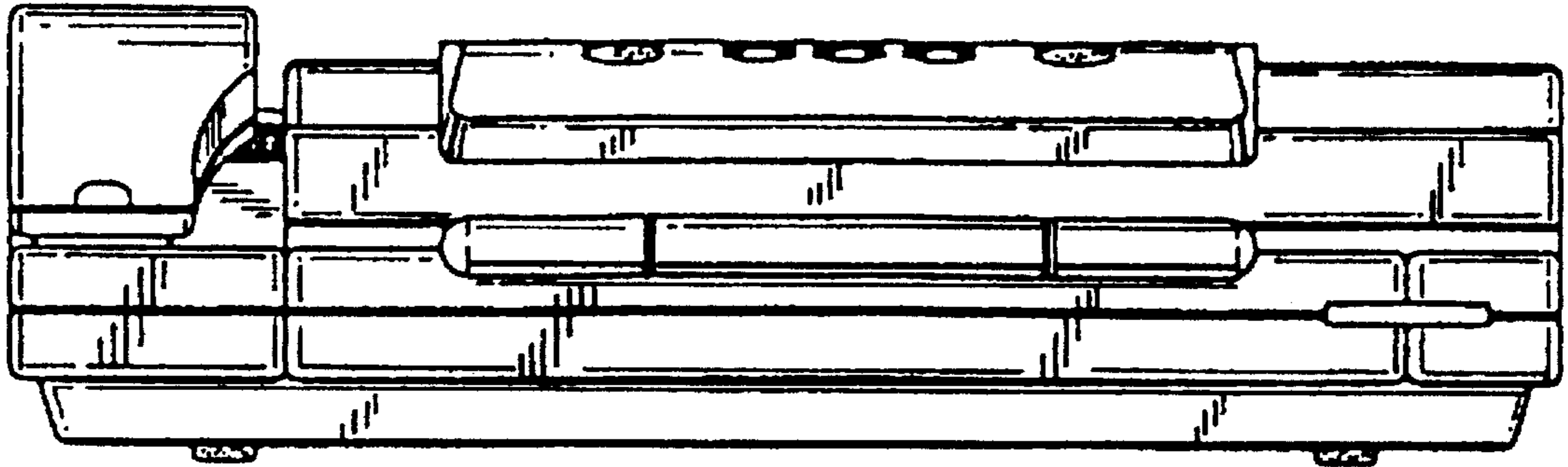
FIG. 1 is a top and left side perspective view of a machine showing my new design cradled in its stand;  
 FIG. 2 is a front view thereof;  
 FIG. 3 is a rear view thereof;  
 FIG. 4 is a left side view thereof;  
 FIG. 5 is a right side view thereof;  
 FIG. 6 is a top plan view thereof;  
 FIG. 7 is a bottom plan view thereof; and,  
 FIG. 8 is a top and left side perspective view of the machine with a front portion opened from the stand.

**1 Claim, 5 Drawing Sheets**

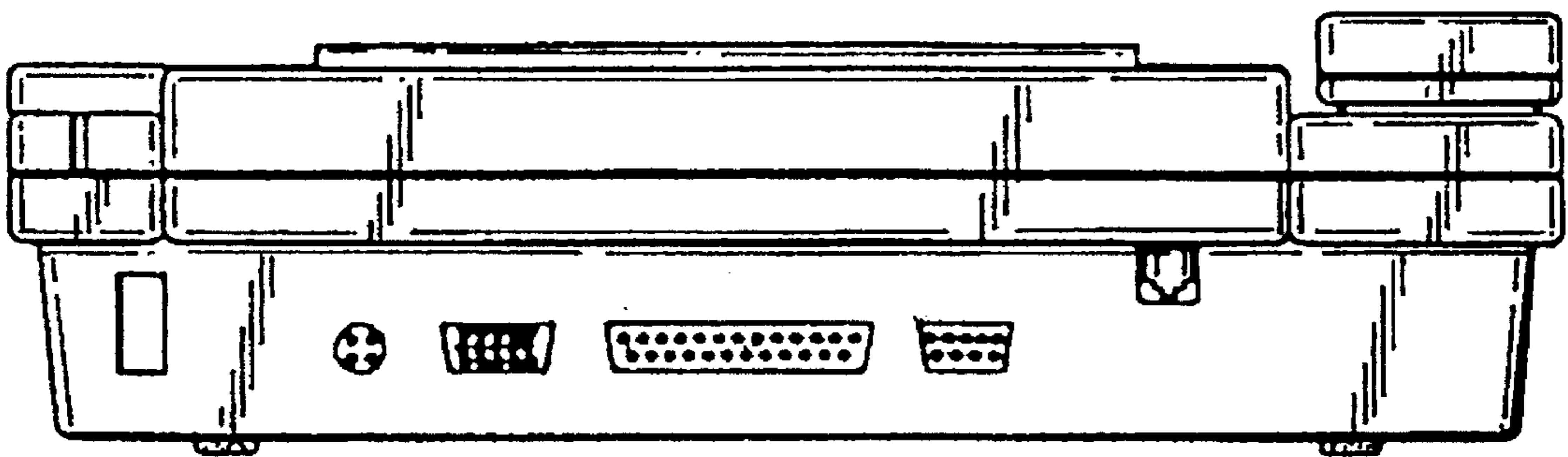




**Fig. 1**

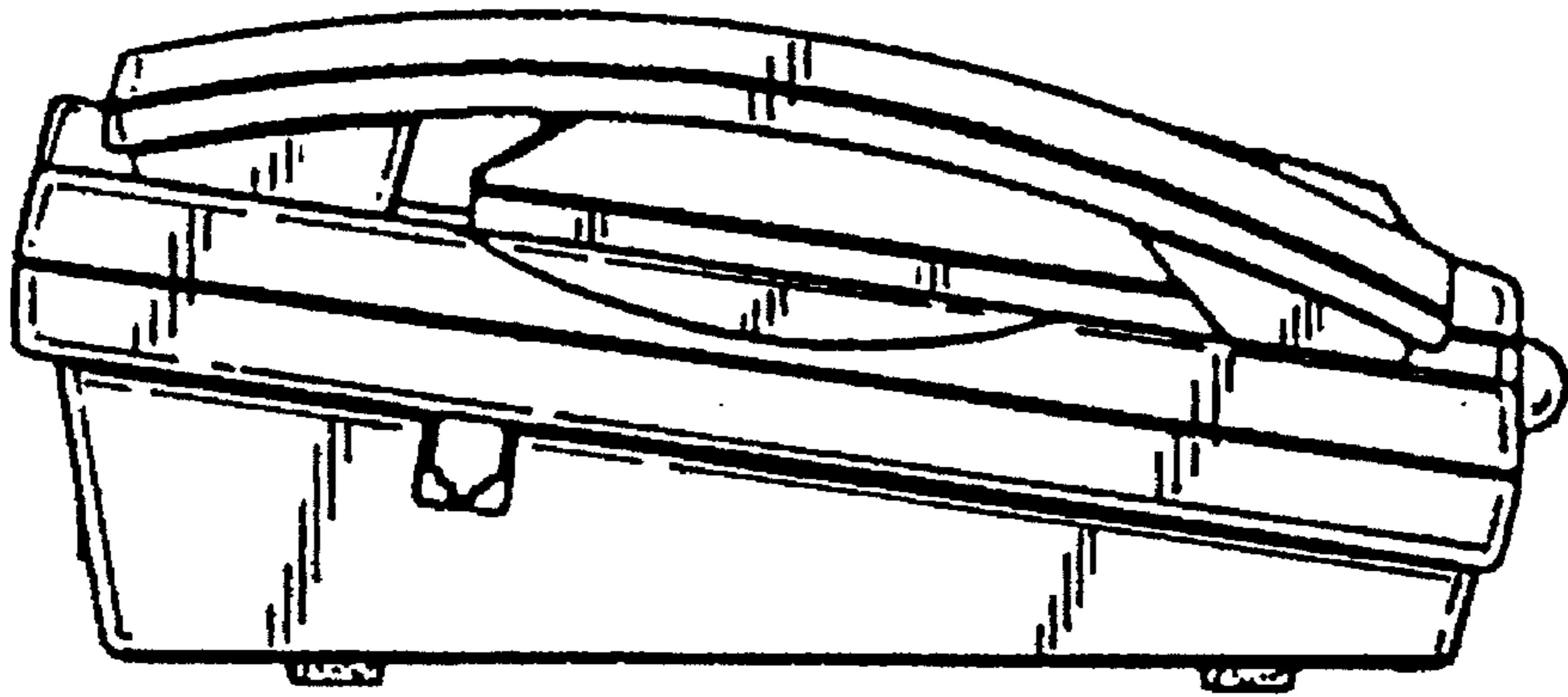


**Fig. 2**

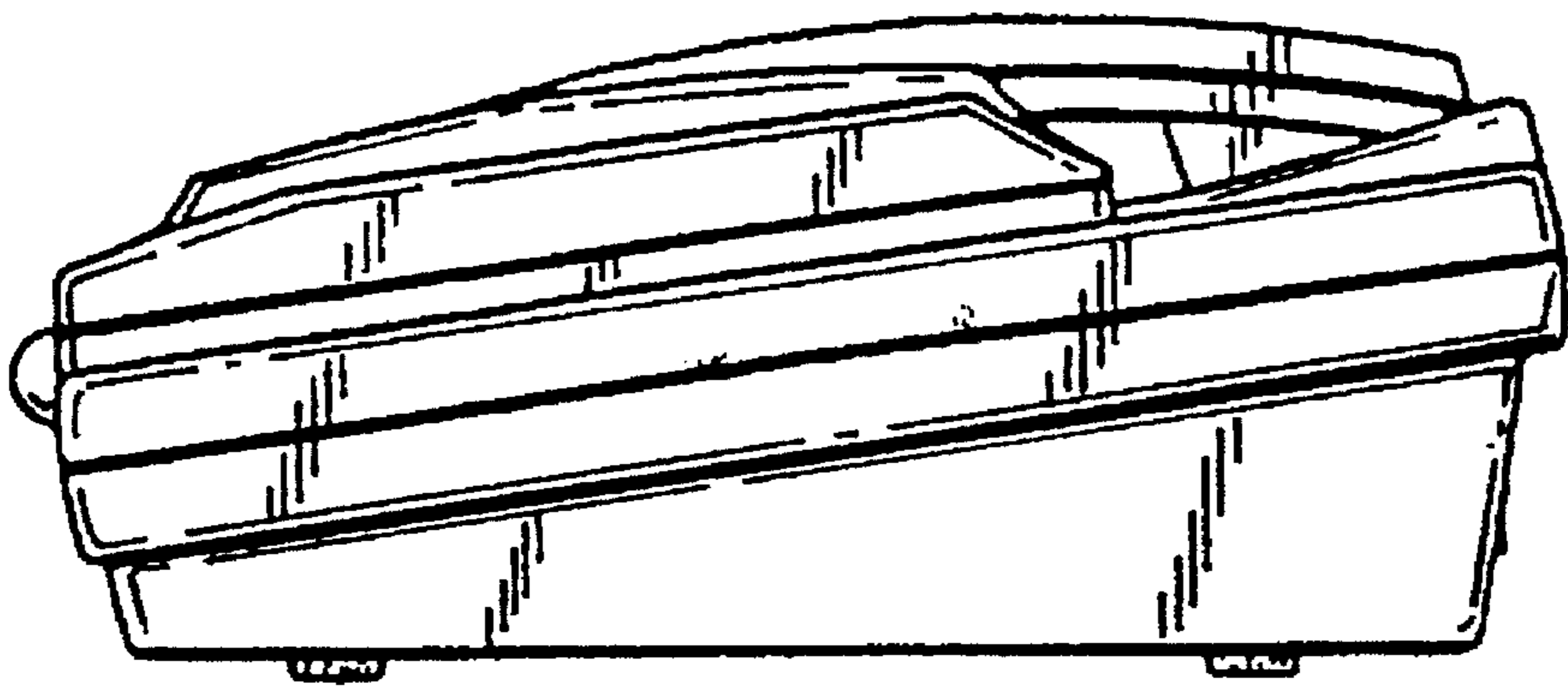


**Fig. 3**

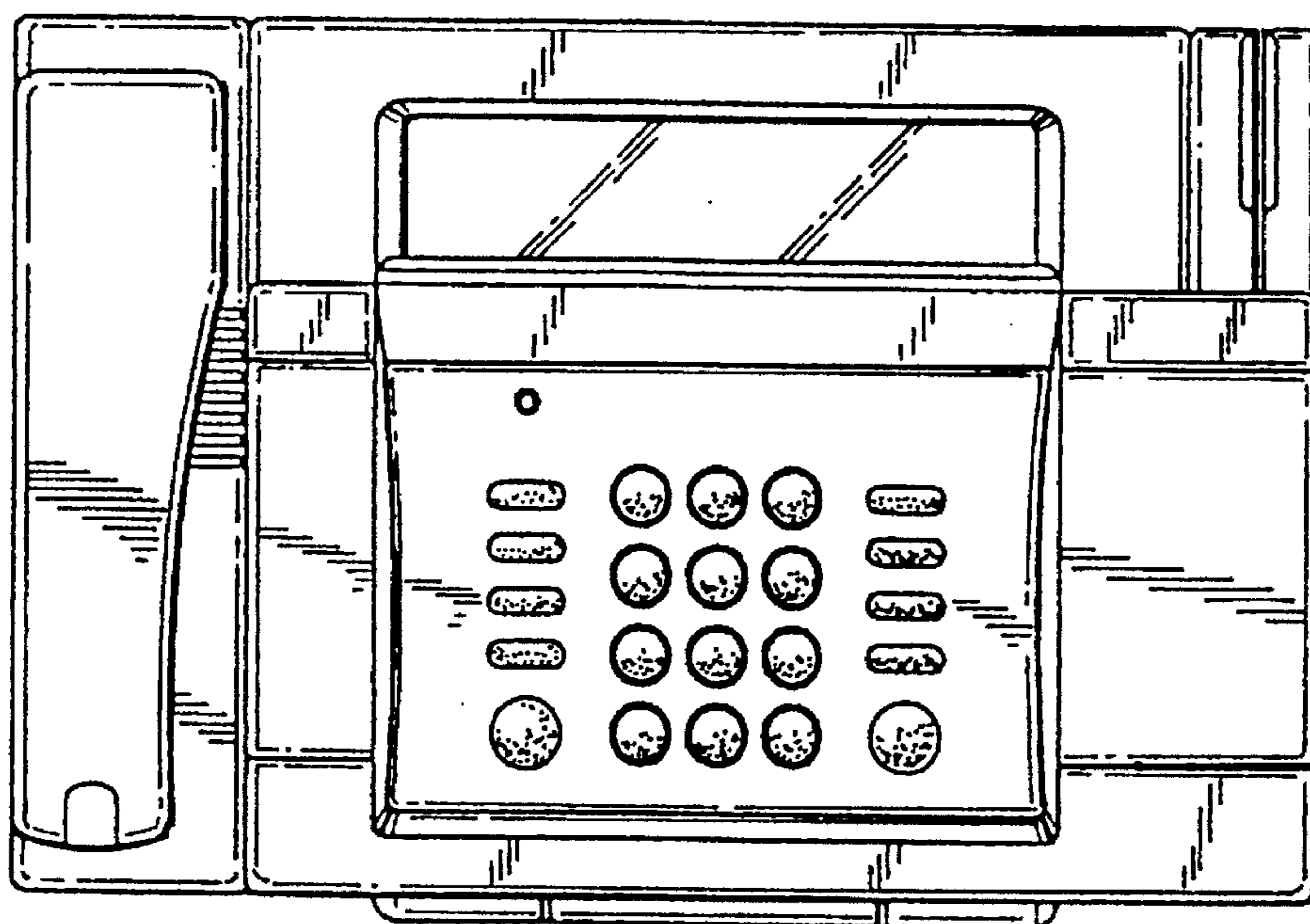




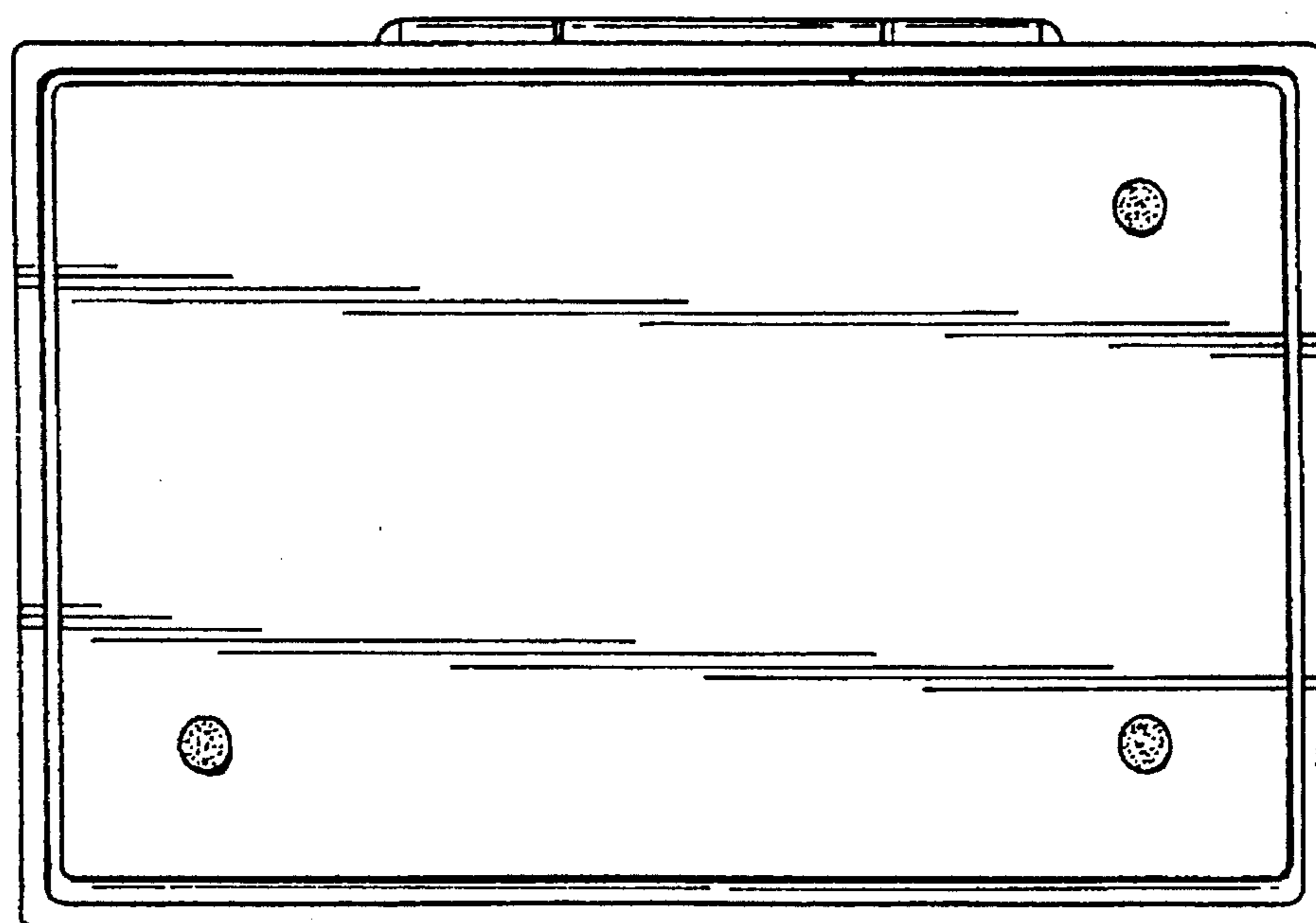
***Fig. 4***



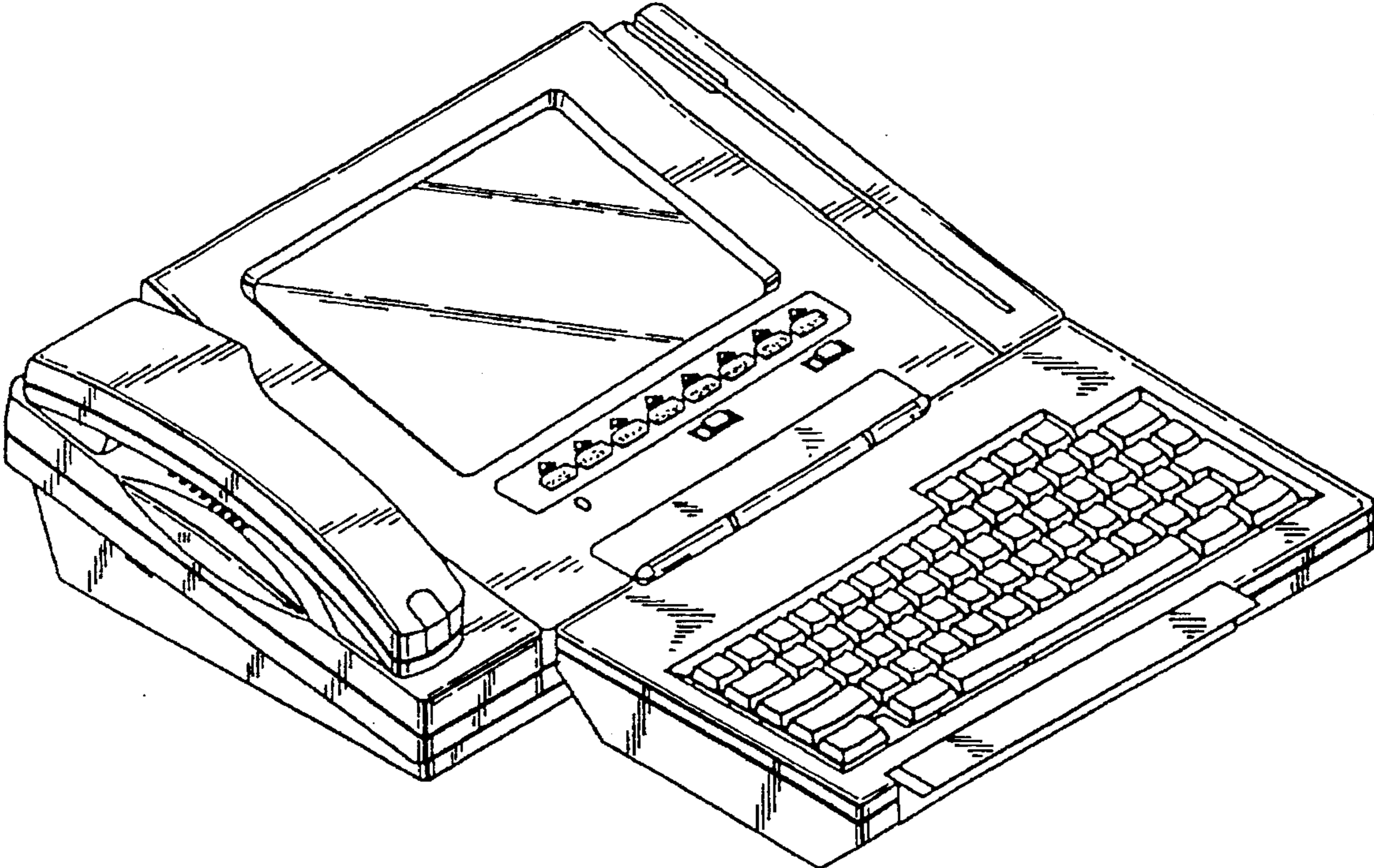
***Fig. 5***



**Fig. 6**



**Fig. 7**



**Fig. 8**